



# Crystalfontz America, Incorporated

## INTELLIGENT SERIAL LCD MODULE SPECIFICATIONS



Crystalfontz Model Number	<b>CFA634-TFH-KS</b>
Hardware Version	<b>v2.4, February 2011</b>
Firmware Version	<b>v2.4, February 2011</b>
Data Sheet Version	<b>v1.1, March 2011</b>
Product Pages	<a href="http://www.crystalfontz.com/product/CFA634TFHKS.html">http://www.crystalfontz.com/product/CFA634TFHKS.html</a>

### Crystalfontz America, Incorporated

12412 East Saltese Avenue  
Spokane Valley, WA 99216-0357

Phone: 888-206-9720

Fax: 509-892-1203

Email: [techinfo@crystalfontz.com](mailto:techinfo@crystalfontz.com)

URL: [www.crystalfontz.com](http://www.crystalfontz.com)



## REVISION HISTORY

HARDWARE	
2011/01/10	<p>Current hardware version: <b>v2.4</b> Previous revision: 2.3 (no units shipped for this version with this part number)</p> <p>This new display module is a replacement for the obsolete CFA634-TFB-KS. The only hardware changes are these improvements:</p> <ul style="list-style-type: none"><li>● Wide temperature range (operation -20°C to +70°C and storage 30°C to +80°C) replaces normal temperature range (operation 0°C to +50°C and storage -10°C to +60°C) .</li><li>● Stainless steel bezel replaces black painted metal. The stainless steel has lower environmental impact and improves ESD protection.</li></ul> <p>For more information, see <a href="#">Part Change Notification (PCN) 10308</a> and <a href="#">PCN 10316</a>.</p>

FIRMWARE	
2011/01/10	<p>Current firmware version: <b>v2.4</b> Firmware version displayed on the boot screen reflects hardware version v2.4.</p>

DATA SHEET	
2011/03/28	<p>Current Data Sheet version: <b>v1.1</b> Changes:</p> <ul style="list-style-type: none"><li>● Improved illustrations by removing unnecessary components and adding better descriptions. See <a href="#">Module Outline Drawings (Pg. 10)</a> and <a href="#">Jumper Locations and Functions (Pg. 12)</a>. The module has not changed.</li></ul>
2011/03/01	<p>Data Sheet version: v1.0 First Data Sheet.</p>



### The Fine Print

Certain applications using CrystalFontz America, Inc. products may involve potential risks of death, personal injury, or severe property or environmental damage ("Critical Applications"). CRYSTALFONTZ AMERICA, INC. PRODUCTS ARE NOT DESIGNED, INTENDED, AUTHORIZED, OR WARRANTED TO BE SUITABLE FOR USE IN LIFE-SUPPORT APPLICATIONS, DEVICES OR SYSTEMS OR OTHER CRITICAL APPLICATIONS. Inclusion of CrystalFontz America, Inc. products in such applications is understood to be fully at the risk of the customer. In order to minimize risks associated with customer applications, adequate design and operating safeguards should be provided by the customer to minimize inherent or procedural hazard. Please contact us if you have any questions concerning potential risk applications.

CrystalFontz America, Inc. assumes no liability for applications assistance, customer product design, software performance, or infringements of patents or services described herein. Nor does CrystalFontz America, Inc. warrant or represent that any license, either express or implied, is granted under any patent right, copyright, or other intellectual property right of CrystalFontz America, Inc. covering or relating to any combination, machine, or process in which our products or services might be or are used.

The information in this publication is deemed accurate but is not guaranteed.

Company and product names mentioned in this publication are trademarks or registered trademarks of their respective owners.

Copyright © 2011 by CrystalFontz America, Inc., 12412 East Saltese Avenue, Spokane Valley, WA 99216-0357 U.S.A.



# CONTENTS

<b>MAIN FEATURES</b>	<b>6</b>
Features	6
Module Classification System	7
Comparison to Previous CFA634 Series	7
<b>MECHANICAL SPECIFICATIONS</b>	<b>9</b>
Physical Characteristics	9
Temperature and Humidity Ratings	9
Module Outline Drawings	10
Jumper Locations and Functions	12
<b>OPTICAL CHARACTERISTICS</b>	<b>13</b>
<b>ELECTRICAL SPECIFICATIONS</b>	<b>14</b>
System Block Diagram	14
Required Voltage	14
Current Consumption	15
Electrostatic Discharge (ESD)	15
<b>RS-232 POWER AND SIGNAL CONNECTIONS TO A PERSONAL COMPUTER</b>	<b>16</b>
For Non-Backlight Operation (Through 9-Pin Serial Port)	16
To Power The Backlight	17
<b>RS-232 POWER AND SIGNAL CONNECTIONS IN EMBEDDED SYSTEMS</b>	<b>17</b>
For Non-Backlight Operation	17
Interface Options Using “Inverted RS-232” Or “Low-Speed SPI”	18
Inverted RS-232	18
Low-Speed SPI	18
To Power The Backlight	18
<b>HOST COMMUNICATIONS</b>	<b>19</b>
<b>CFA634 Demonstration and Test Programs</b>	<b>19</b>
About Handshaking	19
Control Codes and Functions	20
Description of Control Functions	21
Cursor Home (\001, Control+A)	21
Hide Display (\002, Control+B)	21
Restore Display (\003, Control+C)	21
Hide Cursor (\004, Control+D)	21
Show Underscore Cursor (\005, Control+E)	21
Show Blinking Block Cursor with Underscore (\006, Control+F)	21
Show Inverting Blinking Block Cursor with Underscore (\007, Control+G)	21
Backspace (\008, Control+H)	21
Control the Boot Screen (\009, Control+I)	21
Line Feed (\010, Control+J or Control+Enter)	23
Delete In Place (\011, Control+K)	23
Form Feed (\012, Control+L)	23
Carriage Return (\013, Control+M)	23
Backlight Control (\014, Control+N)	23



## CONTENTS, CONTINUED

Contrast Control (\015, Control+O) -----	23
Set Cursor Position (Column and Row) (\017, Control+Q) -----	24
Horizontal Bar Graph (\018, Control+R) -----	24
Scroll ON (\019, Control+S) -----	25
Scroll OFF (\020, Control+T) -----	25
Set Scrolling Marquee Characters (\021, Control+U) -----	25
Enable Scrolling Marquee (\022, Control+V) -----	26
Wrap ON (\023, Control+W) -----	27
Wrap OFF (\024, Control+X) -----	28
Set Custom Character Bitmap (\025, Control+Y) -----	28
Reboot (\026, Control+Z) -----	29
Escape Sequence Prefix (\027, Escape) -----	29
Large Block Number (\028, Control Backslash) -----	29
Send Data Directly to the LCD Controller (\030, Control+Equal) -----	31
Show Information Screen (\031, Control+Minus) -----	31
<b>CHARACTER GENERATOR ROM (CGROM) -----</b>	<b>32</b>
<b>MODULE RELIABILITY AND LONGEVITY -----</b>	<b>34</b>
<b>Module Reliability -----</b>	<b>34</b>
<b>Module Longevity (EOL / Replacement Policy) -----</b>	<b>34</b>
<b>CARE AND HANDLING PRECAUTIONS -----</b>	<b>34</b>
<b>APPENDIX A: SPI TIMING DIAGRAMS -----</b>	<b>37</b>
<b>APPENDIX B: QUALITY ASSURANCE STANDARDS -----</b>	<b>38</b>

## LIST OF FIGURES

Figure 1. Module Outline Drawings (two pages) -----	10
Figure 2. CFA634 Jumper Locations and Functions -----	12
Figure 3. Definition of 6:00 O'clock and 12:00 O'clock Viewing Angles -----	13
Figure 4. System Block Diagram -----	14
Figure 5. Non-Backlight Operation (Through 9-Pin Serial Port) using CrystalFontz Cable -----	16
Figure 6. CFA634 Character Generator ROM (CGROM) -----	32
Appendix A Figure 1. CFA634 SPI Timing Diagrams -----	37



# MAIN FEATURES

---

## FEATURES

- 20x4 LCD has a large display area in a compact 130.00 mm x 63.00 mm (5.12" x 2.48") package.
- Modules are thin. Depth is 19.9 mm (0.783") including DB9 connector.
- Large, easy-to-read characters: 7.3 mm (0.287") character height.
- 19200/9600/4800/2400 baud RS-232 interface.
- CFA634-TFH-KS
  - White edge LED backlight with FSTN positive transfective mode LCD. Displays dark (near-black) characters on light (near-white) background).
  - Sunlight readable.
- Software controlled contrast.
- The CGROM is an enhanced version with many useful characters: numeric superscripts, icons, mathematical symbols, some fractions, a great variety of arrows, many currency symbols, and more.
- LCD characters are contiguous horizontally to allow the host software to display "gapless" bar graphs in horizontal direction.
- Software controlled terminal style automatic scrolling and line wrapping.
- Unique scrolling marquee feature continuously scrolls a message across the display without host intervention.
- Low speed "SPI" ( $F_{clk\ max} = 18\ KHz$ ) and "Inverted TTL" RS-232 for embedded applications.
- Buffered communication.
- Single board construction—no connectors to fail.
- Optional 5.25" half-height drive-bay [CFA634 PC Mounting Bracket](#) available.
- Nonvolatile memory capability (EEPROM) to customize the "power-on" display settings. All features of the display are controlled: characters displayed, user-definable characters, backlight setting, contrast setting, cursor position, cursor style, "wrap" setting, "scroll" setting, and even the scrolling marquee.
- Extended voltage (9-15 volts) and 5 volts power inputs standard on all modules for the controller. Backlight is 5 volts only.
- DB9 connector provided for simple RS-232 hookup.
- Low power: non-backlight operation will self-power from the DTR and RTS lines of most serial ports.
- RoHS compliant.
- Factories have ISO certification.



## MODULE CLASSIFICATION SYSTEM

$\frac{\text{CFA}}{\text{①}} \frac{\text{634}}{\text{②}} - \frac{\text{T}}{\text{③}} \frac{\text{F}}{\text{④}} \frac{\text{H}}{\text{⑤}} - \frac{\text{K}}{\text{⑥}} \frac{\text{S}}{\text{⑦}}$

①	Brand	CrystalFontz America, Inc.
②	Model Identifier	634
③	Backlight Type & Color	T – LED, white
④	Fluid Type, Image (positive or negative), & LCD Glass Color	F – FSTN, negative neutral
⑤	Polarizer Film Type, Temperature Range, & View Angle (O 'Clock)	H – Transflective, Wide Temperature Range <sup>1</sup> , 6:00
⑥	Special Code 1	K – manufacturer's code
⑦	Special Code 2	S – logic level serial interface with RS-232
<sup>1</sup> Wide Temperature Range is -20°C minimum to +70°C maximum		

## COMPARISON TO PREVIOUS CFA634 SERIES

The tables below list the part numbers for the obsolete CFA634 series and the new replacement series hardware version v2.4. All hardware dimensions, mounting holes, and connector locations are the same. For more information, see [Part Change Notification \(PCN\) 10308](#).

A, no shading = Available: samples 1st quarter 2011, in volume 2nd quarter 2011.						Temp = "Wide" or "Normal" temperature range			
O, gray shading = Obsolete. Will become obsolete when stock is depleted.									
A/O	PART NUMBER	FLUID	LCD GLASS COLOR	IMAGE	POLARIZER	BEZEL	TEMP	BACKLIGHT	

### Dark (Near-Black) Characters on Light Gray Background

CFA634-NFG-KS & CFA634-NFG-KU photo:



A	CFA634-NFG-KS ("full swing" RS-232)	FSTN	light gray	positive	reflective	stainless steel	Wide	no backlight
A	CFA634-NFG-KU (USB)					black painted metal	Normal	
O	CFA634-NFA-KS ("full swing" RS-232)							
O	CFA634-NFA-KU (USB)							



A, no shading = Available: samples 1st quarter 2011, in volume 2nd quarter 2011.						Temp = "Wide" or "Normal" temperature range		
O, gray shading = Obsolete. Will become obsolete when stock is depleted.								

A/O	PART NUMBER	FLUID	LCD GLASS COLOR	IMAGE	POLARIZER	BEZEL	TEMP	BACKLIGHT
-----	-------------	-------	-----------------	-------	-----------	-------	------	-----------

**Dark (Near-Black) Characters on Light (Near-White) Background**

CFA634-TFH-KS & CFA634-TFH-KU photo:



A	CFA634-TFH-KS ("full swing" RS-232)	FSTN	light gray	positive	transflective	stainless steel	Wide	white edge LEDs
A	CFA634-TFH-KU (USB)					black painted metal	Normal	
O	CFA632-TFB-KS ("full swing" RS-232)					black painted metal	Normal	
O	CFA632-TFB-KU ("full swing" RS-232)					black painted metal	Normal	

**White Characters on Blue Background**

CFA634-TMI-KS & CFA634-TMI-KU photo:



A	CFA634-TMI-KS ("full swing" RS-232)	STN	blue	negative	transmissive	stainless steel	Wide	white edge LEDs
A	CFA634-TMI-KU (USB)					black painted metal	Normal	
O	CFA632-TMC-KS ("full swing" RS-232)					black painted metal	Normal	
O	CFA632-TMC-KU (USB)					black painted metal	Normal	

**Yellow-Green Characters on Dark (Near-Black) Background**

CFA634-YDI-KS & CFA634-YDI-KU photo:



A	CFA634-YDI-KS ("full swing" RS-232)	FFSTN	black	negative	transmissive	stainless steel	Wide	yellow-green array LEDs
A	CFA634-YDI-KU (USB)					black painted metal	Normal	
O	CFA632-YMC-KS ("full swing" RS-232)	STN	blue			black painted metal	Normal	
O	CFA632-YMC-KU (USB)					black painted metal	Normal	

**Dark (Near-Black) Characters on Yellow-Green Background**

CFA634-YFH-KS & CFA634-YFH-KU photo:



A	CFA634-YFH-KS ("full swing" RS-232)	FSTN	neutral	positive	transflective	stainless steel	Wide	yellow-green array LEDs
A	CFA634-YFH-KU (USB)					black painted metal	Normal	
O	CFA632-YFB-KS ("full swing" RS-232)					black painted metal	Normal	
O	CFA632-YFB-KU (USB)					black painted metal	Normal	





## MECHANICAL SPECIFICATIONS

---

### PHYSICAL CHARACTERISTICS

ITEM	SIZE (mm)
Overall Size	130.00 (W) x 63.00 (H) millimeters
Viewing Area	102.00 (W) x 41.50 (H) millimeters
Active Area	93.54 (W) x 34.00 (H) millimeters
Character Size	3.84 (W) x 8.90 (H) millimeters
Dot Size	0.72 (W) x 0.86 (H) millimeters
Dot Pitch	0.78 (W) x 0.92 (H) millimeters
Depth	19.9 millimeters (Includes DB9 connector)
Weight	112 grams (typical)

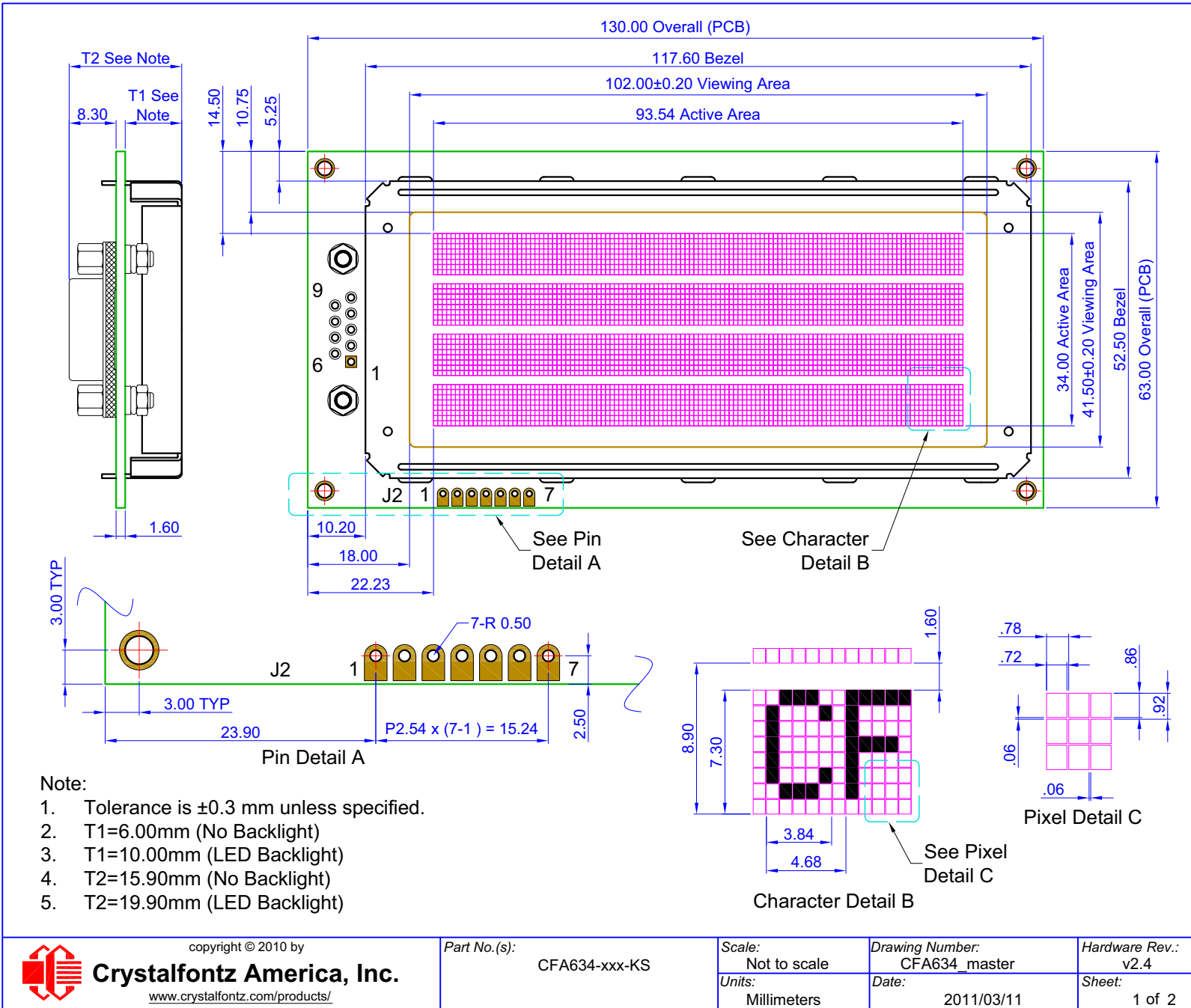
### TEMPERATURE AND HUMIDITY RATINGS

	SYMBOL	MINIMUM	MAXIMUM
<b>ABSOLUTE MAXIMUM RATINGS</b>			
Operating Temperature	T <sub>OP</sub>	-20°C	+70°C
Storage Temperature	T <sub>ST</sub>	-30°C	+80°C
Humidity Range (noncondensing)	RH	10%	90%



# MODULE OUTLINE DRAWINGS

Figure 1. Module Outline Drawings (two pages)



**Note:**

1. Tolerance is ±0.3 mm unless specified.
2. T1=6.00mm (No Backlight)
3. T1=10.00mm (LED Backlight)
4. T2=15.90mm (No Backlight)
5. T2=19.90mm (LED Backlight)



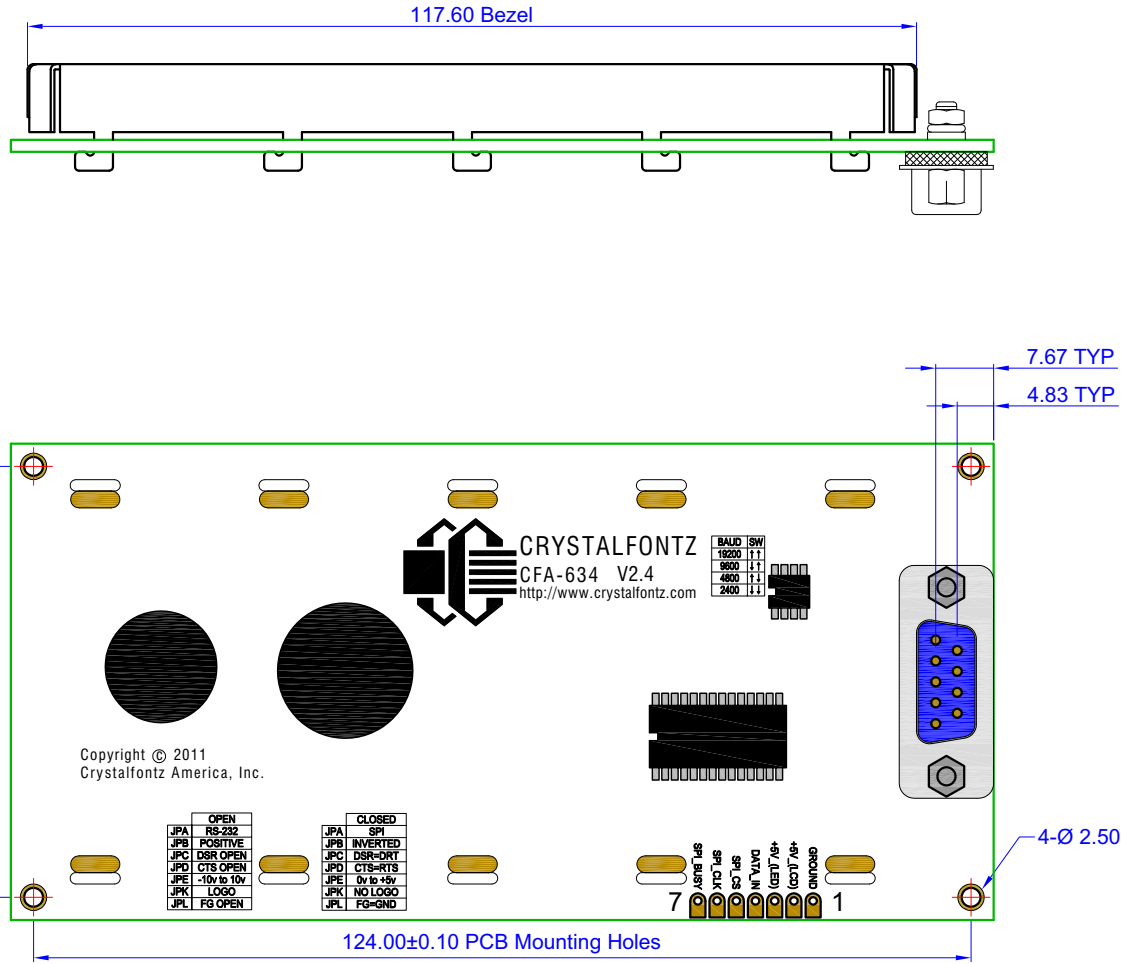
copyright © 2010 by  
**CrystalFontz America, Inc.**  
[www.crystalfontz.com/products/](http://www.crystalfontz.com/products/)

Part No.(s):  
 CFA634-xxx-KS

Scale:  
 Not to scale  
 Units:  
 Millimeters

Drawing Number:  
 CFA634\_master  
 Date:  
 2011/03/11

Hardware Rev.:  
 v2.4  
 Sheet:  
 1 of 2

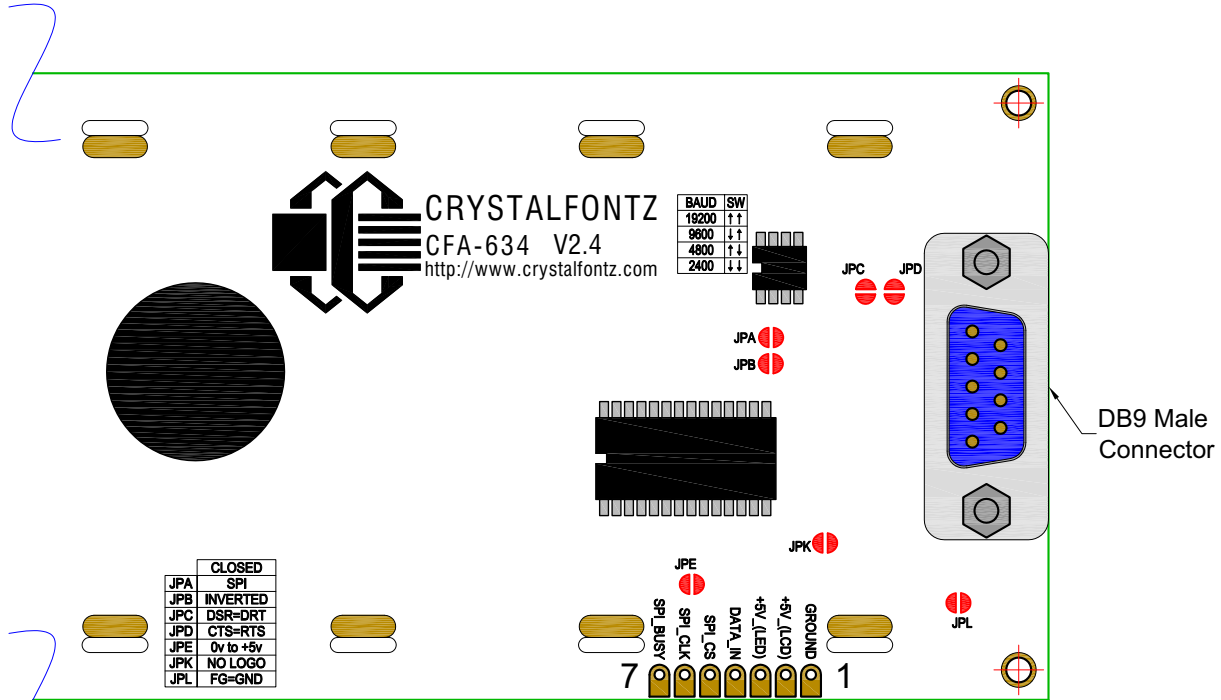


<p>copyright © 2010 by  <b>Crystalfontz America, Inc.</b>  <a href="http://www.crystalfontz.com/products/">www.crystalfontz.com/products/</a></p>	<p>Part No.(s):          CFA634-xxx-KS</p>	<p>Scale:          Not to scale</p>	<p>Drawing Number:          CFA634_master</p>	<p>Hardware Rev.:          v2.4</p>
		<p>Units:          Millimeters</p>	<p>Date:          2011/03/10</p>	<p>Sheet:          2 of 2</p>



## JUMPER LOCATIONS AND FUNCTIONS

The CFA634 has seven jumpers. The jumpers are normally open. The jumpers may be closed by melting a ball of solder across their gap. You may re-open the jumpers by removing the solder. (Solder wick works well for this.)



JPA	<b>open</b> closed	RS-232 interface selected SPI interface selected
JPB	<b>open</b> closed	RS-232 data is normal RS-232 data is inverted
JPC	<b>open</b> closed	DSR is open DTR is fed back on DSR through 1 KΩ resistor
JPD	<b>open</b> closed	CTS is open RTS is fed back on CTS through 1 KΩ resistor
JPE	<b>open</b> closed	DATA_IN is RS-232 (-10v to +10v swing) DATA_IN IS 0v to 5v swing
JPK	<b>open</b> closed	Show splash screen (LOGO) Disable splash screen (LOGO)
JPL	<b>open</b> closed	Frameground* is open Frameground is connected to Signal/Power supply GROUND

\*Frameground is a trace connecting the mounting holes, bezel, and shell of the DB9.

Figure 2. CFA634 Jumper Locations and Functions



# OPTICAL CHARACTERISTICS

Viewing Direction	6 o'clock
-------------------	-----------

## Definition of 6 O'clock and 12:00 O'clock Viewing Angles

This LCD module has a 6:00 o'clock viewing angle. A 6:00 o'clock viewing angle is a bottom viewing angle like what you would see when you look at a cell phone or calculator. A 12:00 o'clock viewing angle is a top viewing angle like what you would see when you look at the gauges in a golf cart or airplane.

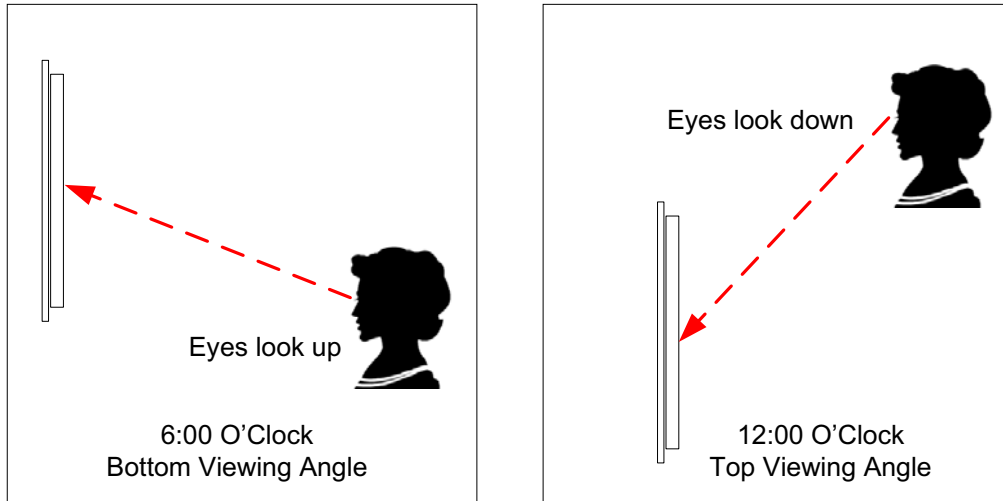


Figure 3. Definition of 6:00 O'clock and 12:00 O'clock Viewing Angles



# ELECTRICAL SPECIFICATIONS

## SYSTEM BLOCK DIAGRAM

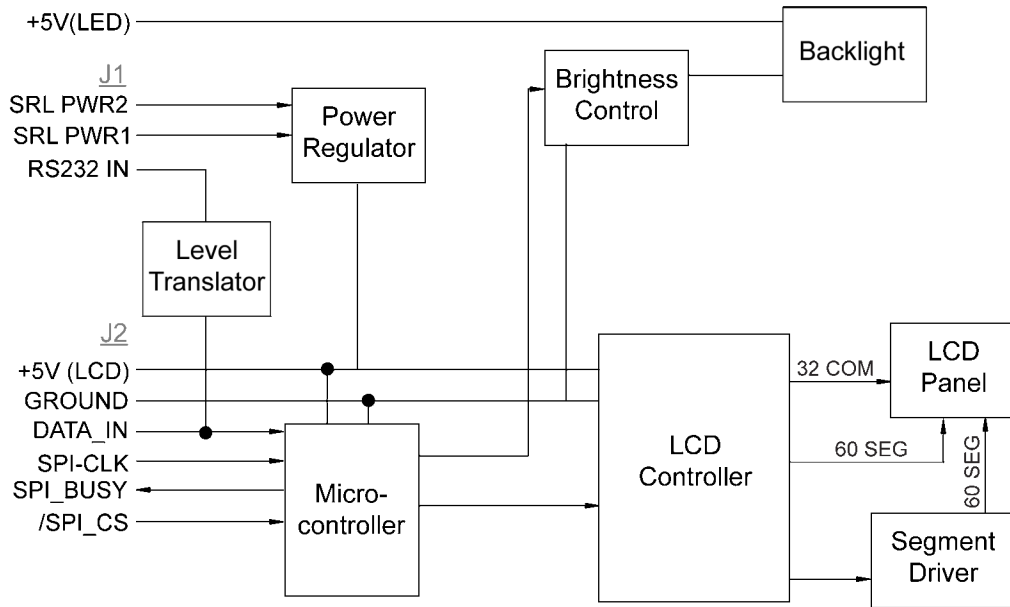


Figure 4. System Block Diagram

CRITERIA	SPECIFICATION
Backlight PWM Frequency	300 Hz nominal
Driving Method	1/ 32 Duty, 1/ 6.7 Bias

## REQUIRED VOLTAGE

Logic (+5 volts):

Supplied through J2: 4.75 volts minimum, 5.0 volts nominal, 5.25 volts maximum

Supplied through DB9 connector using the on-board regulator: 9 volts minimum, 15 volts maximum

Backlight: (+5 volts): 4.75 volts minimum, 5.0 volts nominal, 5.25 volts maximum



## CURRENT CONSUMPTION

<b>PART NUMBER</b>	<b>LCD WITH BACKLIGHT AT 100%</b>	<b>LCD WITH BACKLIGHT AT 0%</b>
Yellow-green LEDs: CFA634-YDI-KS CFA634-YDI-KU CFA634-YFH-KS CFA634-YFH-KU	450 mA	9 mA
White LEDs: CFA634-TFH-KS CFA634-TFH-KU CFA634-TMI-KS CFA634-TMI-KU	160 mA	9 mA
No backlight: CFA634-NFG-KS CFA634-NFG-KU	N/A	9 mA

## ELECTROSTATIC DISCHARGE (ESD)

The circuitry is industry standard CMOS logic and susceptible to ESD damage. Please use industry standard antistatic precautions as you would for any other static sensitive devices such as expansion cards, motherboards, or integrated circuits. Ground your body, work surfaces, and equipment.



# RS-232 POWER AND SIGNAL CONNECTIONS TO A PERSONAL COMPUTER

## FOR NON-BACKLIGHT OPERATION (THROUGH 9-PIN SERIAL PORT)

The CFA634 has a male DB9 connector. For non-backlight operation when the module is connected to a PC's 9-pin serial port, all you need is a "straight through" RS-232 9-pin female DB9 to 9-pin female DB9 cable. Three cable lengths are available from CrystalFontz: part number [WR232Y01](#) (6-foot), [WR232Y04](#) (10-foot), and [WR232Y10](#) (13-inch). A 6-foot serial RS-232 cable is also available through Radio Shack catalog number [26-152](#).

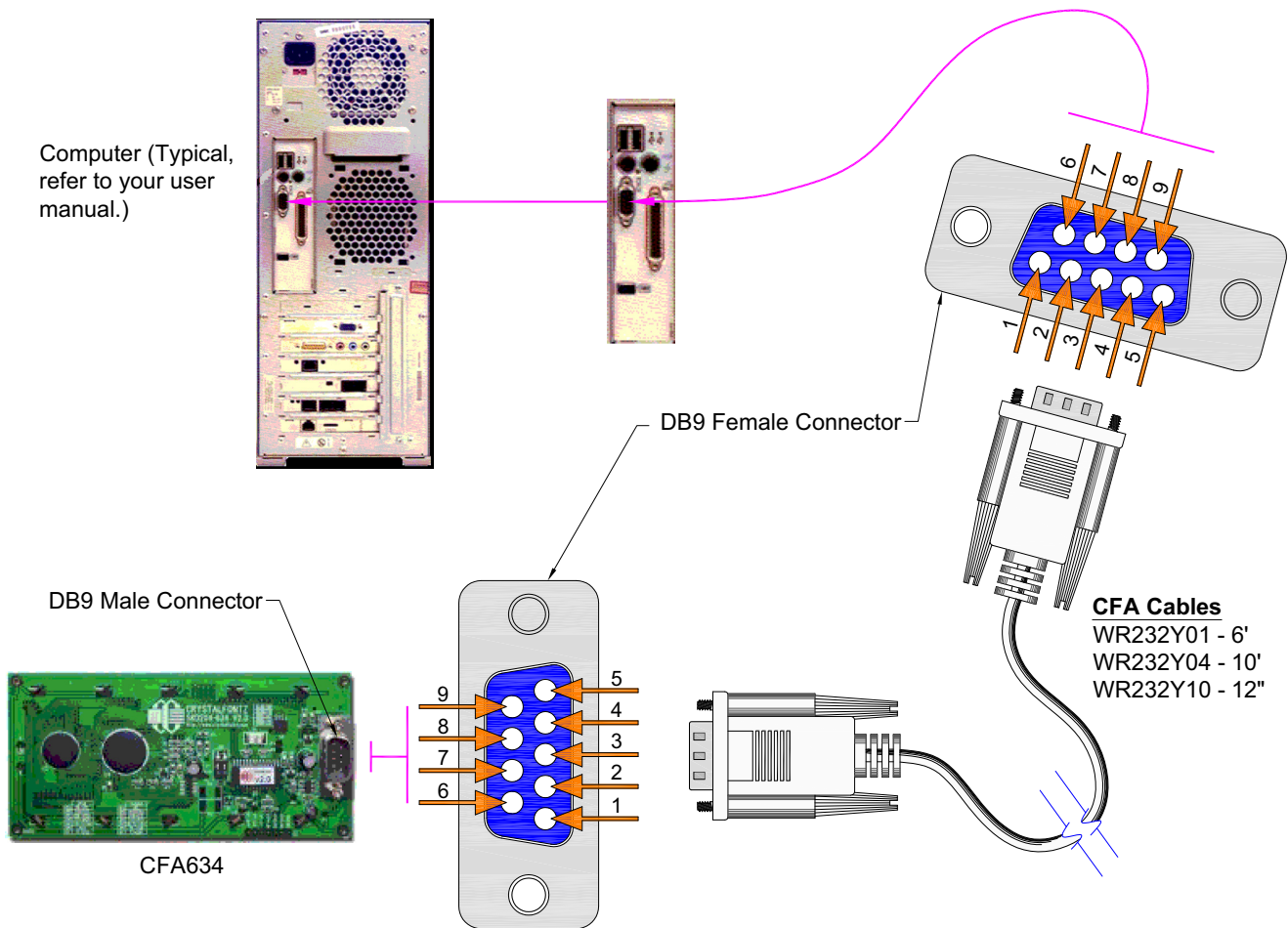
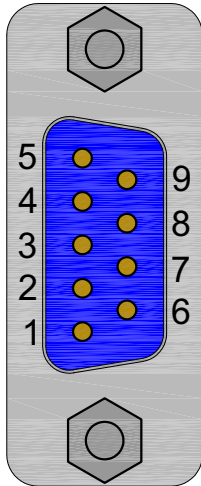


Figure 5. Non-Backlight Operation (Through 9-Pin Serial Port) using CrystalFontz Cable





Below is a view looking into the male DB9 connector (J1) on the CFA634:



PIN	CRYSTALFONTZ DISPLAY FUNCTION	CORRESPONDING PC PIN NAME
1	Not Connected	DCD (Data Carrier Detect)
2	Not Connected	Rx (Receive Data)
3	Data In	Tx (Transmit Data)
4	Power A (9 volts to 15 volts)	DTR (Data Terminal Ready)
5	Ground ( $V_{SS}$ )	Signal Ground
6	Connected to Power A if JPD is closed	DSR (Data Set Ready)
7	Power B (9 volts to 15 volts)	RTS (Request To Send)
8	Connected to Power B if JPC is closed	CTS (Clear To Send)
9	Not Connected	RI (Ring Indicator)

Most RS-232 ports will be able to power the display through their DTR and RTS lines. Have the software drive these lines high—most software already will.

## TO POWER THE BACKLIGHT

To power the backlight, you must connect a regulated 5 volt supply capable of sourcing 400 mA to the LED+ terminal of the LCD's solder connector (J2). The supply's ground should connect to the  $V_{SS}$  terminal of the LCD's solder connector (J2)

The easiest place in a PC to get +5 volts is from a disk drive power connector. The red wire is typically 5 volts and the black wires are typically ground. Crystalfontz sells a cable (part number [WR232Y02](#)) that will connect from a spare power connector on your PC to the display's LED backlight.

## RS-232 POWER AND SIGNAL CONNECTIONS IN EMBEDDED SYSTEMS

---

### FOR NON-BACKLIGHT OPERATION

To connect the display in most embedded systems, you only need to use the LCD's solder connector (J2). This connector has standard 0.1-inch (2.54 mm) spacing. Generally, you would connect a regulated 5 volt supply for the controller to +5V(LCD), GROUND to GROUND, and RS-232 data to DATA\_IN. DATA\_IN will accept full +10 volt to -10 volt swing RS-232 signals and will also accept 0 volt to 5 volt "CMOS" or "TTL" levels (close JPE). If your RS-232 data is inverted, which is typical of a microcontroller "UART Tx" pin, you can close JPB.



If you would like, you can connect an unregulated 9 volt to 15 volt supply to Power A or Power B of the DB9 connector instead of connecting a regulated +5 volt supply to  $V_{CC}$ . Power A and Power B will only power the LCD.

#### **NOTE**

Do not connect a supply greater than 5.25 volts to  $V_{DD}$  or LED+. If you do, damage to your LCD module will result.

## **INTERFACE OPTIONS USING “INVERTED RS-232” OR “LOW-SPEED SPI”**

“Inverted RS-232” or “Low-Speed SPI” may be selected by closing jumpers.

### **Inverted RS-232**

Inverted RS-232 is useful when the display is used with an embedded microcontroller's built-in UART. These UARTs typically output a logic level (0-5 volts) inverted version of the RS-232 waveform, ready to be passed into an RS-232 driver. By setting the display to accept inverted RS-232 data, you can connect this logic level signal directly to the display and avoid having the RS-232 driver. The display will show a lowercase "i" before the baud rate on the information screen if the jumper is closed ("i9600bd").

### **Low-Speed SPI**

To use the SPI interface, close JPA. Please refer to [APPENDIX A: SPI TIMING DIAGRAMS \(Pg. 37\)](#).

Low-Speed SPI is intended to be used with low-end embedded microprocessors that lack a hardware UART. The reason that it is "Low-Speed" is that the SPI is done in firmware on the display. On the host microprocessor, any three general-purpose output ports and a small "send byte" routine can be used to control the display. If the host microprocessor has a hardware SPI port, that can be used, provided that the port's speed can be set to satisfy the timing constraints. A software state-machine and a timer interrupt could also be used, this would reduce the microprocessor's load while still satisfying the timing requirements.

Another useful feature of SPI is that additional displays can be controlled with only one additional output port ( $\overline{\text{SPI\_CS}}$ ) per display. The other lines (SPI\_CLK and SPI\_DATA) are common. The display will show "SPI" instead of the baud rate on the information screen.

The CFA634 has a 64-character input buffer. For the RS-232 interface, it is nearly impossible to overflow this buffer since the display can process commands more quickly than the 19200-baud RS-232 interface can deliver them, so normally no flow control is needed. The exceptions are the routines that access the EEPROM (the \009 series) and a very rare combination of commands that take a long time to execute, followed by a burst of characters that is larger than the input buffer.

If your processor can deliver data through the Low-Speed SPI interface at a rate faster than 1000 bytes/second, then the processor should make sure the SPI\_BUSY line is low before sending a new command. The SPI\_BUSY line will be set "high" by the display when there are 32 or more characters in the display's input buffer, and returned "low" when there are less than 32 characters.

## **TO POWER THE BACKLIGHT**

To use the backlight, connect a regulated +5 volt supply capable of sourcing 400 mA to the +5V(LED) terminal. This may be the same supply that is used for +5V(LCD). The backlight brightness is controlled by PWM (Pulse Width Modulation). The PWM may cause noise on supplies that have high output impedance. If this noise causes problems in your



application, you may want to connect a filter capacitor from +5V(LCD) to GROUND close to the display or operate the backlight at full brightness (which disables the PWM).

## HOST COMMUNICATIONS

---

The CFA634 communicates with its host using an RS-232 interface. The baud rate is set with the DIP switches on the back of the display. Please refer to the legend silk-screened on the back of the module for the settings.

## CFA634 DEMONSTRATION AND TEST PROGRAMS

The following programs are available for free download on our website:

- [WinTest Test and Demonstration Software for CFA632 and CFA634](#)  
This website page has a link to download a demonstration and test program, WinTest.exe. The C source code is included. The program demonstrates software techniques for displaying banners, graphs, large digits, spectrum, and oscilloscope. Example commands may be copied from the Control Codes listed below and pasted into WinTest. (See [Description of Control Functions \(Pg. 21\)](#)).
- [632/634 BasicStamp2 Sample](#)  
This website page has a link to download a simple program that demonstrates communications from a Parallax Basic Stamp. BS2 source code is available.
- [632/634 Linux-Compatible Command-Line Demonstration Program](#)  
This is a link to a Linux-compatible demonstration program. The C source code is included.

## ABOUT HANDSHAKING

- The display can generally execute commands faster than the interface can deliver them so no handshaking is necessary from the display's point of view.
- The few exceptions involve accessing the EEPROM (For example, see [Control the Boot Screen \(\009, Control+I\) \(Pg. 21\)](#)).
- Some host hardware or software may require the display to assert its DSR and/or CTS lines before it will send data to the display. In that case, JPC and/or JPD may be closed. Closing JPC will connect DSR to DTR through a 1 K $\Omega$  resistor. Closing JPD will connect CTS to RTS through a 1 K $\Omega$  resistor.



## CONTROL CODES AND FUNCTIONS

The CFA634 will accept plain ASCII characters and display them on the screen at the current cursor position. For example, if you send "Hello World", the display shows "Hello World". The display also supports a set of control characters that access other features of the display. Some of these commands require one or more parameters. In general, the parameters are "binary" characters, meaning that any value between 0 and 255 may be required.

The notation "\xxx" is used for "binary" data, where "xxx" is the decimal representation of the number. Use the codes \000 to \255 to include all possible values for a character. This notation is supported by the [WinTest Test and Demonstration Software](#). We recommend you try this utility by using the examples listed under [Description of Control Functions \(Pg. 21\)](#). Select a line of text by highlighting it, copy it, then paste it into the WinTest edit box with a right-click "Paste". Be sure *not* to highlight the invisible carriage return at the end of the line.

Below is a list of the control codes. Click on the links under the ASCII column to jump to an explanation of the code.

ASCII	KEYSTROKES	CONTROL CODE FUNCTION
\000	Control+@	Reserved
<a href="#">\001</a>	Control+A	Cursor Home
<a href="#">\002</a>	Control+B	Hide Display
<a href="#">\003</a>	Control+C	Restore Display
<a href="#">\004</a>	Control+D	Hide Cursor
<a href="#">\005</a>	Control+E	Underscore
<a href="#">\006</a>	Control+F	Show Blinking Block Cursor with Underscore
<a href="#">\007</a>	Control+G	Show Inverting Blinking Block Cursor with Underscore
<a href="#">\008</a>	Control+H	Backspace (Destructive)
<a href="#">\009</a>	Control+I	Control the Boot Screen
<a href="#">\010</a>	Control +J or Control +Enter	Line Feed
<a href="#">\011</a>	Control+K	Delete In Place
<a href="#">\012</a>	Control+L	Form Feed (Clear Display)
<a href="#">\013</a>	Control+M	Carriage Return
<a href="#">\014</a>	Control+N	Backlight Control
<a href="#">\015</a>	Control+O	Contrast Control
\016	Control+P	(Reserved)
<a href="#">\017</a>	Control+Q	Set Cursor Position (Column and Row)
<a href="#">\018</a>	Control+R	Horizontal Bar Graph

ASCII	KEYSTROKES	CONTROL CODE FUNCTION
<a href="#">\019</a>	Control+S	Scroll ON
<a href="#">\020</a>	Control+T	Scroll OFF
<a href="#">\021</a>	Control+U	Set Scrolling Marquee Characters
<a href="#">\022</a>	Control+V	Enable Scrolling Marquee
<a href="#">\023</a>	Control+W	Wrap ON
<a href="#">\024</a>	Control+X	Wrap OFF
<a href="#">\025</a>	Control+Y	Set Custom Character Bitmap
<a href="#">\026</a>	Control Z	Reboot
<a href="#">\027</a>	Escape	Escape Sequence Prefix
<a href="#">\028</a>	Control+ Backslash	Large Block Number
\029	Control+Quote	(Reserved)
<a href="#">\030</a>	Control+Equal	Send Data Directly to LCD Controller
<a href="#">\031</a>	Control+Minus	Show Information Screen
\128		Custom Character 0
\129		Custom Character 1
\130		Custom Character 2
\131		Custom Character 3
\132		Custom Character 4
\133		Custom Character 5
\134		Custom Character 6
\135		Custom Character 7



## DESCRIPTION OF CONTROL FUNCTIONS

### **Cursor Home (\001, Control+A)**

Moves cursor to the top left character position. No data is changed. Identical to Control+Q,0,0.

### **Hide Display (\002, Control+B)**

Display is blanked, no data is changed.

### **Restore Display (\003, Control+C)**

Restores blanked display; nothing else is changed.

### **Hide Cursor (\004, Control+D)**

Cursor is not shown; nothing else is changed.

### **Show Underscore Cursor (\005, Control+E)**

Shows a nonblinking underscore cursor at the printing location.

### **Show Blinking Block Cursor with Underscore (\006, Control+F)**

Shows a blinking block cursor with underscore at the printing location.

### **Show Inverting Blinking Block Cursor with Underscore (\007, Control+G)**

Shows a blinking block cursor with underscore at the printing location. This cursor inverts the character rather than replacing the character with a block. This cursor style is the default cursor at power-up.

### **Backspace (\008, Control+H)**

Moves the cursor back one space and erases the character in that space. Will wrap from the left-most column to the right-most column of the line above. Will wrap from the left-most column of the top row to the right-most column of the bottom row.

### **Control the Boot Screen (\009, Control+I)**

This command allows the current state of the display to be stored in the display's EEPROM, recalling of the EEPROM contents to the display, and controlling the boot behavior.

All features of the display are controlled: the characters displayed, the bitmaps of the user-definable characters, the backlight setting, the contrast setting, the cursor position, the cursor style, the wrap setting, the scroll setting, and even the scrolling marquee's data and state.



**NOTE**

Since writing and reading the EEPROM takes quite a bit time, it is possible to overflow the display's input buffer if data is continuously sent while the display is busy executing these commands. The display will still buffer data while these commands are being executed. However, the buffer is 64 bytes long and can be overflowed. You must take care to not overflow the input buffer while the EEPROM commands are executing.

Send "Control+I" followed by the command.

**\009 \000 Set boot to "backward compatibility mode"**

Execution time: 5.1 mS

*If JPK is open:* Crystalfontz boot screen is displayed with the firmware version number. The boot screen will clear automatically after about 5 seconds. If a character is received during that 5 seconds, the boot screen will be cleared immediately, then that character will be processed.

*If JPK is closed:* No logo is shown.

**\009 \001 Set boot to show Crystalfontz logo until a character arrives**

Execution time: 5.1 mS

The Crystalfontz boot screen is displayed. When a character is received, the boot screen will be cleared immediately and the character will be processed.

**\009 \002 Set boot to show User Boot Screen for 5 seconds**

Execution time: 5.1 mS

The User Boot Screen is recalled from the EEPROM and shown on the display. The boot screen will clear automatically after about 5 seconds. If a character is received during that 5 seconds, the boot screen will be cleared immediately, then that character will be processed.

**\009 \003 Set boot to show User Boot Screen until a character arrives**

Execution time: 5.1 mS

The User Boot Screen is recalled from the EEPROM and shown on the display. When a character is received, the boot screen will be cleared immediately, then that character will be processed.

**\009 \004 Set boot to show User Boot Screen and leave it displayed**

Execution time: 5.1 mS

The User Boot Screen is recalled from the EEPROM and shown on the display. Incoming characters are processed normally without the screen being cleared. Settings for display blank, cursor style and position, WRAP, SCROLL are maintained.

**\009 \005 Save current display state to EEPROM**

Execution time: 800 mS

The entire display state is saved to the EEPROM.



### **\009 \006 Recall current display state from EEPROM**

Execution time: 91 mS

The entire display state is recalled from the EEPROM

### **Line Feed (\010, Control+J or Control+Enter)**

Moves the cursor down one row.

- If SCROLL is *on* and the cursor is at the bottom row, the display will scroll up one row and the bottom row will be cleared. |
- If SCROLL is *off*, and the cursor is at the bottom row, it will wrap up to the same character position on the top row.

#### **NOTE**

If SCROLL is set, the cursor is placed on the bottom line, several Line Feed characters are sent (forcing the display to scroll), and these Line Feeds characters are immediately followed by a burst of more than 64 additional characters—it is possible to overflow the display's input buffer. Don't do this. Contrary to design standards for internet server software from our favorite software monopoly, the display will not start executing the input buffer data as if it were code. The display will simply overwrite the oldest data in the input buffer with the most recently received data.

### **Delete In Place (\011, Control+K)**

Deletes the character at the current cursor position. Cursor is not moved.

### **Form Feed (\012, Control+L)**

Clears the display and returns cursor to Home position (upper left). All data is erased.

### **Carriage Return (\013, Control+M)**

Moves cursor to the left-most column of the current row.

### **Backlight Control (\014, Control+N)**

Send "Control+N", followed by a byte from 0-100 for the backlight brightness. 0=OFF, 100=ON, intermediate values will vary the brightness.

Examples:

```
\014\000  
\014\050  
\014\100
```

### **Contrast Control (\015, Control+O)**

Send "Control+O", followed by a byte from 0-100 for the contrast setting of the displayed characters.

0 = very light      50 is typical      100 = very dark



Examples:

```
\015\050
\015\060
\015\070
```

## Reserved (\16, Control+P)

## Set Cursor Position (Column and Row) (\017, Control+Q)

Send "Control+Q" followed by one byte for the column (0-19), and a second byte for the row (0-3). The upper-left position is 0,0. The lower-right position is 19,3.

For example, to move the cursor to column 11 of the second line:

```
\017\010\001
```

## Horizontal Bar Graph (\018, Control+R)

Send "Control+R" followed by the following bytes:

```
graph_index
style
start_column
end_column
length
row
```

*graph\_index* determines which custom characters are used.

<i>graph_index</i>	<b>CUSTOM CHARACTERS USED</b>
\000	0, 1
\001	2, 3
\002	4, 5
\003	6, 7

*style* is the bit pattern to use in drawing the graph.

<i>style</i>	<b>PATTERN</b>	<b>DESCRIPTION</b>
\255	(11111111b)	thick bar
\000	(00000000b)	not visible (all pixels are off)
\085	(01010101b)	striped bar
\060	(00111100b)	medium width bar, centered
\015	(00001111b)	medium width bar, low in the row





<i>style</i>	<i>PATTERN</i>	<i>DESCRIPTION</i>
\240	(11110000b)	medium width bar, high in the row

Any value is valid between \000 and \255. The MSB (Most Significant Bit) is at the top of the row, the LSB (Least Significant Bit) is at the bottom of the row.

**start\_column** and **end\_column** are the character X coordinates of the graph area. Each must be between \000 and \019. **start\_column** must be less than or equal to **end\_column**.

**length** is the length in pixels of the graph. Positive values will graph from the left edge of **start\_column**, negative values will graph from the right edge of **end\_column**. There are six pixels per character, so the maximum value of length is  $20 \times 6 = \backslash120$ .

**row** is the character Y coordinate. \000-\003 is valid.

Examples:

```
\018\000\255\000\014\010\001
\018\000\015\000\014\236\001
```

**NOTE**

The entire graph area is completely rewritten by each graph command, so there is no need to clear the area between successive updates of the same graph. If a length of \000 is written, the entire graph area is cleared to spaces. Negative values can be calculated as  $256 - \text{value}$ . For instance, if you want a graph to extend 20 pixels towards the left, from the right most column of the graph area, send 236 ( $256 - 20 = 236$ ). No additional graph "setup" command is needed.

**NOTE**

The graphs use some of the custom characters and may corrupt the display contents if there are user-defined custom characters or large numbers shown.

**Scroll ON (\019, Control+S)**

Turns scroll feature on. Then a Line Feed (Control+J) command from the bottom row will scroll the display up by one row, independent of Wrap. If Wrap is also on (Control+W), a wrap occurring on the bottom row will cause the display to scroll up one row. Scroll is on at power-up.

**Scroll OFF (\020, Control+T)**

Turns scroll feature off. Then a Line Feed (Control+J) command from the bottom row will move the cursor to the top row of the same column, independent of wrap (Control+W for Wrap ON, Control+X for Wrap OFF). If wrap is on, a wrap occurring on the bottom row will also wrap vertically to the top row. Scroll is on at power-up.

**Set Scrolling Marquee Characters (\021, Control+U)**

Send "Control+U" followed by the following bytes:

```
index
character
```



*index* determines which of the 20 scrolling marquee characters gets set (\000 to \019 are valid).

*character* is the value that this position in the scrolling marquee will be set to.

The examples below will set the first 12 characters to "CrystalFontz", put another message on the display, and enable the scrolling marquee. Please note that the second line ends in a space.

Examples:

```
\004\022\255\001\005\012\017\000\001Scrolling Marquee
\021\000C\021\001r\021\002y\021\003s\021\004t\021
\005a\021\006l\021\007f\021\008o\021\009n\021\010t
\021\011z\021\012 \021\013 \021\014 \021\015 \021
\016 \021\017 \021\018 \021\019 \022\001\001\016
```

**NOTE**

A section of memory holds 20 hidden characters. These 20 characters, along with the contents of one line of the display, can be rotated pixel by pixel across the display in a circular fashion. Use this command multiple times to set the 20 hidden characters. Use the normal display functions to set the other characters in the line you want to rotate and then enable rotation with [Enable Scrolling Marquee](#) command. The hidden characters are set to blanks at power-up, or loaded from the User Boot Screen.

You will probably want to disable the scrolling marquee movement while you are setting the scrolling marquee characters or modifying characters on the rotating line. You will probably also want to move the cursor off the line or hide it.

WinTest, available at [WinTest Test and Demonstration Software](#) easily allows setting up the scrolling marquee and adjusting the parameters, so you can find a setting you like in a minimum amount of time.

**NOTE**

If the first character of the line above the scrolling line on the CFA634 display has any pixels on its bottom row set, they will appear as "ghost" pixels in the upper right of the last character of the scrolling line. This will only happen on the first line or if the cursor or a custom character with its bottom row of pixels set is in the leftmost position of the line directly above the scrolling marquee line. These pixels are an artifact of the display controller's memory architecture.

**Enable Scrolling Marquee (\022, Control+V)**

Send "Control+V" followed by the following bytes:

```
line
scroll_step_size
update_speed
```

*line* determines which line will scroll with the scrolling marquee or if the scrolling marquee is disabled.

<i>line</i>	<i>FUNCTION</i>
\000	enable scrolling marquee on line 1
\001	enable scrolling marquee on line 2
\002	enable scrolling marquee on line 3



<i>line</i>	<i>FUNCTION</i>
\003	enable scrolling marquee on line 4
\255	disable scrolling marquee (valid values for <i>scroll_step_size</i> and <i>update_speed</i> must still be sent)

**scroll\_step\_size** controls the number of pixels that the message is shifted by at each update:

<i>scroll_step_size</i>	<i>RESULT</i>
\001	shift by one pixel, smooth but slow
\002	shift by two pixels
\003	shift by three pixels
\004	shift by four pixels
\005	shift by five pixels
\006	shift by six pixels (equal to shifting by one character, fast)

**update\_speed** determines how often updates will occur. The units are 1/96 of a second (about 10 mS). The valid range is \005 (52 mS) to \100 (1.042 S).

**NOTE**

Since the liquid crystal fluid in the display takes some time to react, the minimum usable value is about 16 or 167 mS. The Enable Scrolling Marquee command supports a large range of speeds to accommodate future displays and user preference.

The following equations will allow you to determine the speed at which the message scrolls:

$$\begin{aligned} \text{Update Frequency} &= \text{update\_speed} / 96 \text{ Hz} \\ \text{Update Period} &= 96 / \text{update\_speed} \text{ Seconds} \end{aligned}$$

$$\begin{aligned} \text{New Character Frequency} &= (\text{scroll\_step\_size} \times \text{update\_speed}) / (96 \times 6) \text{ Hz} \\ \text{New Character Period} &= (96 \times 6) / (\text{scroll\_step\_size} \times \text{update\_speed}) \text{ Seconds} \end{aligned}$$

$$\text{Message Repeat Period} = (40 \times 96 \times 6) / (\text{scroll\_step\_size} \times \text{update\_speed}) \text{ Seconds}$$

See the example in [Set Scrolling Marquee Characters \(\021, Control+U\) \(Pg. 25\). WinTest Test and Demonstration Software](#), easily allows you to set up a scrolling marquee and adjust the parameters. You can find a setting you like in a minimum amount of time.

**Wrap ON (\023, Control+W)**

Turns wrap feature on. When wrap is on, a printable character received when the cursor is at the right-most column will cause the cursor to move down one row to the left-most column. If the cursor is already at the right-most column of the bottom row, it will wrap to the top row if Scroll is off, or the display will scroll up one row if Scroll is on.



## Wrap OFF (\024, Control+X)

Turns wrap feature off. When wrap is off, a printable character received when the cursor is at the right-most column will cause the cursor to disappear (as it will be off the right edge of the screen) and any subsequent characters will be ignored until some other command moves the cursor back onto the display. This function is independent of Scroll.

## Set Custom Character Bitmap (\025, Control+Y)

The custom characters are mapped at \128 through \135 corresponding to character 0 to character 7.

Send "Control+Y" followed by the following bytes:

**character**  
**data0**  
**data1**  
**data2**  
**data3**  
**data4**  
**data5**  
**data6**  
**data7**

**character** determines which of the eight custom characters is modified. 0-7 is valid. The custom characters are displayed by sending \128 to \135:

<b>character</b>	<b>CUSTOM CHARACTER MODIFIED</b>
\128	0
\129	1
\130	2
\131	3
\132	4
\133	5
\134	6
\135	7

**data0-data7** are the bitmap information for this character. Any value is valid between 0 and 63. The MSB is at the left of the character cell of the row and the LSB is at the right of the character cell. **data0** is at the top of the cell, **data7** is at the bottom of the cell.

### **NOTE**

The large digits use all of the custom characters. If you modify the custom characters when large digits are displayed, the display will probably become corrupted. The bar graphs also use some of the custom characters.



Examples:

```
\012\001\128\129\130\131\017\000\001\132\133\134\135
\025\000\000\000\001\003\000\031\031\031
\025\001\028\054\032\001\003\051\051\051
\025\002\014\027\049\032\032\047\032\047
\025\003\000\000\032\048\000\062\000\062
\025\004\031\031\031\000\003\001\000\000
\025\005\051\051\051\003\001\032\054\028
\025\006\047\032\047\032\032\049\027\014
\025\007\062\000\062\000\048\032\000\000
```

**Reboot (\026, Control+Z)**

CFA634 firmware is very stable and robust. It is unlikely that you will ever need a "reboot" command. If the firmware did crash, the command processor would most likely be inoperable and unable to detect the reboot command. However, you may have certain situations where it is nice to have a command that will return the display to a known state. For instance, if the baud rate on the host is set to an incorrect speed, the data is interpreted as meaningless garbage which the display firmware tries to interpret. Some data may set the contrast to an unusable value; some data may program the LCD controller to an indeterminate state. Or perhaps you always want the display to wake up in a given state when your program starts, without going through all the commands that affect the way the display interprets commands (such as the state of Scroll or Wrap).

Send one "Control+Z" followed by another "Control+Z" to reboot the display. If you are not sure of the display state, it may be necessary to send up to 9 characters to satisfy the parameters of some previous command. For example, if the Set Custom Character Bitmap command (See [Set Custom Character Bitmap \(\025, Control+Y\) \(Pg. 28\)](#)) has just been received by the display when an application crashes, the display will interpret the next 9 bytes as the parameters to the command, then wait for more commands. If you are not sure what the status of the display is, send 9 blanks (\032) followed by two "Control+Z"s (\026).

If the display in your system is powered by the serial port's RTS and DTR lines, the display can be rebooted by dropping those lines momentarily (for example, 500 mS) and then bringing them high again.

**Escape Sequence Prefix (\027, Escape)**

Four escape sequences are supported. These correspond to the escape sequences that are sent for the four arrows keys in HyperTerminal with an ANSI terminal selected (and also our WinTest). These sequences move the cursor only and do not wrap.

<i>ESCAPE SEQUENCE</i>	<i>ARROW KEY</i>
ESC [ A (equivalent to \027\091\065)	UP arrow
ESC [ B (equivalent to \027\091\066)	DOWN arrow
ESC [ C (equivalent to \027\091\067)	RIGHT arrow
ESC [ D (equivalent to \027\091\068)	LEFT arrow

**Large Block Number (\028, Control Backslash)**

Send "Control+Backslash" followed by the following bytes:

- style*
- column*
- number*



**style** determines if a large number (3x4 or a 4x4) is displayed:

<b>style</b>	<b>FUNCTION</b>
\000	3X4 large number
\001	4x4 large number
\002-\255	invalid

**column** is the starting column of the number.

\000-\017 are valid for a style of \000 (3x4)

\000-\016 are valid for a style of \001 (4x4).

**number** is the number to display. \048 to \057 ('0' to '9') are valid.

**NOTE**

The large numbers use all the custom characters. There will be some corruption if they are used at the same time as graphs or user defined custom characters. No large number initialization command is needed.

Examples:

```
\004\012\028\000\0010\028\000\0051\028\000\0092\028\000\0133\028\000\0174
\004\012\028\000\0005\028\000\0046\028\000\0087\028\000\0128\028\000\0169
```

```
\004\012\028\001\0000\028\001\0051\028\001\0102\028\001\0153
\004\012\028\001\0006\028\001\0057\028\001\0108\028\001\0159
```

**Reserved (\029, Control+Quote)**



## Send Data Directly to the LCD Controller (\030, Control+Equal)

Send "Control+Equal" followed by the following bytes:

***location***  
***data***

***location*** is the destination register on the LCD controller:

<b><i>location</i></b>	<b><i>REGISTER</i></b>
\000	Control Register, (RS=0, RE=0)
\001	Data Memory, (RS=1, RE=x)
\002	Control Register, (RS=0, RE=1)

***data*** is the data to write to the controller.

### **NOTE**

This command executes a low level write directly to the controller. Use this command at your own risk. "Control+Z" followed by another "Control+Z" will reboot the display and recover from most mistakes.

Example:

```
\030\002\031\030\002\130
```

## Show Information Screen (\031, Control+Minus)

This command will show the baud rate, version, and model number.



# CHARACTER GENERATOR ROM (CGROM)

upper 4 bits lower 4 bits	0 <sub>d</sub> 0000.	16 <sub>d</sub> 0001.	32 <sub>d</sub> 0010.	48 <sub>d</sub> 0011.	64 <sub>d</sub> 0100.	80 <sub>d</sub> 0101.	96 <sub>d</sub> 0110.	112 <sub>d</sub> 0111.	128 <sub>d</sub> 1000.	144 <sub>d</sub> 1001.	160 <sub>d</sub> 1010.	176 <sub>d</sub> 1011.	192 <sub>d</sub> 1100.	208 <sub>d</sub> 1101.	224 <sub>d</sub> 1110.	240 <sub>d</sub> 1111.
0 <sub>d</sub> 0000.	CGRAM [0]															
1 <sub>d</sub> 0001.	CGRAM [1]															
2 <sub>d</sub> 0010.	CGRAM [2]															
3 <sub>d</sub> 0011.	CGRAM [3]															
4 <sub>d</sub> 0100.	CGRAM [4]															
5 <sub>d</sub> 0101.	CGRAM [5]															
6 <sub>d</sub> 0110.	CGRAM [6]															
7 <sub>d</sub> 0111.	CGRAM [7]															
8 <sub>d</sub> 1000.	CGRAM [0]															
9 <sub>d</sub> 1001.	CGRAM [1]															
10 <sub>d</sub> 1010.	CGRAM [2]															
11 <sub>d</sub> 1011.	CGRAM [3]															
12 <sub>d</sub> 1100.	CGRAM [4]															
13 <sub>d</sub> 1101.	CGRAM [5]															
14 <sub>d</sub> 1110.	CGRAM [6]															
15 <sub>d</sub> 1111.	CGRAM [7]															

Figure 6. CFA634 Character Generator ROM (CGROM)





## HOW TO USE CGROM

The CGROM defines which characters are shown by the display for a given code received through the interface. The CFA634 firmware v2.0 has an enhanced CGROM that includes many useful special characters including numeric superscripts, icons, mathematical symbols, some fractions, a great variety of arrows, and many currency symbols.

Most of the characters can be accessed by sending the appropriate ASCII code to the display. For instance, the letter "A" can be shown by sending an "A" (which is the same as a "decimal 65", a "hex 0x41", or a "\065").

Some characters do not have an obvious match. For instance, the code to display a superscript "9" is "decimal 137", "hex 0x89", or "\137". The relationship between the codes and the characters are shown on in the [CFA634 Character Generator ROM \(CGROM\) \(Pg. 32\)](#)

To find the code for a given character, add the two numbers that are shown in bold for its row and column. For example, the superscript "9" is in the column labeled "128d" and in the row labeled "9d". So you would add 128 + 9 to get 137. When you send a byte with the value of 137 to the display, then a superscript "9" will be shown at the current cursor position.

In the CFA634 v1.0, the CGROM table had several columns that did not have any characters assigned to the codes. The commands to control the display were mapped to some of those unused codes. These codes are shown in red in the table. Specifically, the first 32 codes (0 to 31) are reserved for the display's special functions (cursor positioning, contrast control, bar graphs. . .), and the codes from 128 to 135 are used to access the custom characters.

To access the characters shown in red, it is necessary to send some data directly to the LCD controller. [Send Data Directly to the LCD Controller \(\030, Control+Equal\) \(Pg. 31\)](#) allows any character in the CGROM to be displayed.

For example, if you want to display an arrow that points to the upper left, look at the table and note that it is in column "16d", and in row "6d", so its code is 22 (16 + 6 = 22). Use the following sequence to display the arrow that points to the upper left:

```
\030\001\022
```

This sequence of three bytes must be used to display any of the characters shown in red in the table. It can also be used to access any character in the table.



## MODULE RELIABILITY AND LONGEVITY

---

### MODULE RELIABILITY

ITEM	SPECIFICATION	
	Power-On Hours	% of Brightness
White LED Backlight* *We recommend that the backlight of the white LED backlit modules be dimmed or turned off during periods of inactivity to conserve the white LED backlight lifetime.	<10,000	>70%
	<50,000	>50%

### MODULE LONGEVITY (EOL / REPLACEMENT POLICY)

Crystalfontz is committed to making all of our LCD modules available for as long as possible. For each module we introduce, we intend to offer it indefinitely. We do not preplan a module's obsolescence. The majority of modules we have introduced are still available.

We recognize that discontinuing a module may cause problems for some customers. However, rapidly changing technologies, component availability, or low customer order levels may force us to discontinue ("End of Life", EOL) a module. For example, we must occasionally discontinue a module when a supplier discontinues a component or a manufacturing process becomes obsolete. When we discontinue a module, we will do our best to find an acceptable replacement module with the same fit, form, and function.

In most situations, you will not notice a difference when comparing a "fit, form, and function" replacement module to the discontinued module it replaces. However, sometimes a change in component or process for the replacement module results in a slight variation, perhaps an improvement, over the previous design.

Although the replacement module is still within the stated Data Sheet specifications and tolerances of the discontinued module, changes may require modification to your circuit and/or firmware. Possible changes include:

- *Backlight LEDs.* Brightness may be affected (perhaps the new LEDs have better efficiency) or the current they draw may change (new LEDs may have a different VF).
- *Controller.* A new controller may require minor changes in your code.
- *Component tolerances.* Module components have manufacturing tolerances. In extreme cases, the tolerance stack can change the visual or operating characteristics.

Please understand that we avoid changing a module whenever possible. We only discontinue a module if we have no other option. We will post Part Change Notices (PCN) on the product's web page as soon as possible. If interested, you can subscribe to future part change notifications.

## CARE AND HANDLING PRECAUTIONS

---

For optimum operation of the display and to prolong its life, please follow the precautions described below.



## ELECTROSTATIC DISCHARGE (ESD)

The circuitry is industry standard CMOS logic and susceptible to ESD damage. Please use industry standard antistatic precautions as you would for any other static sensitive devices such as expansion cards, motherboards, or integrated circuits. Ground your body, work surfaces, and equipment.

## DESIGN AND MOUNTING

- The exposed surface of the LCD “glass” is actually a polarizer laminated on top of the glass. To protect the soft plastic polarizer from damage, the module ships with a protective film over the polarizer. Please peel off the protective film slowly. Peeling off the protective film abruptly may generate static electricity.
- The polarizer is made out of soft plastic and is easily scratched or damaged. When handling the LCD module, avoid touching the polarizer. Finger oils are difficult to remove.
- *Display without Crystalfontz overlay:* To protect the soft plastic polarizer from damage, place a transparent plate (for example, acrylic, polycarbonate, or glass) in front of the LCD module, leaving a small gap between the plate and the display surface. We use GE HP-92 Lexan, which is readily available and works well.
- Do not disassemble or modify the LCD module.
- Do not modify the six tabs of the metal bezel or make connections to them.
- Solder only to the I/O terminals. Use care when removing solder. It is possible to damage the PCB.
- Do not reverse polarity to the power supply connections. Reversing polarity will immediately ruin the LCD module.

## AVOID SHOCK, IMPACT, TORQUE, OR TENSION

- Do not expose the LCD module to strong mechanical shock, impact, torque, or tension.
- Do not drop, toss, bend, or twist the LCD module.
- Do not place weight or pressure on the LCD module.

## IF LCD PANEL BREAKS

- If the LCD panel breaks, be careful to not get the liquid crystal fluid in your mouth or eyes.
- If the liquid crystal fluid touches your skin, clothes, or work surface, wash it off immediately using soap and plenty of water.

## CLEANING

- The polarizer laminated to the glass is soft plastic. The soft plastic is easily scratched or damaged. Be very careful when you clean the polarizer.
- Do not clean the polarizer with liquids. Do not wipe the polarizer with any type of cloth or swab (for example, Q-tips).
- Use the removable protective film to remove smudges (for example, fingerprints) and any foreign matter. If you no longer have the protective film, use standard transparent office tape (for example, Scotch® brand “Crystal Clear Tape”). If the polarizer is dusty, you may carefully blow it off with clean, dry, oil-free compressed air.
- *Display without Crystalfontz overlay:* The exposed surface of the LCD “glass” is actually the front polarizer laminated to the glass. The polarizer is made out of a fairly soft plastic and is easily scratched or damaged. The polarizer will eventually become hazy if you do not take great care when cleaning it. Long contact with moisture from condensation or cleaning may permanently spot or stain the polarizer.



## OPERATION

Your circuit should be designed to protect the display from ESD and power supply transients.

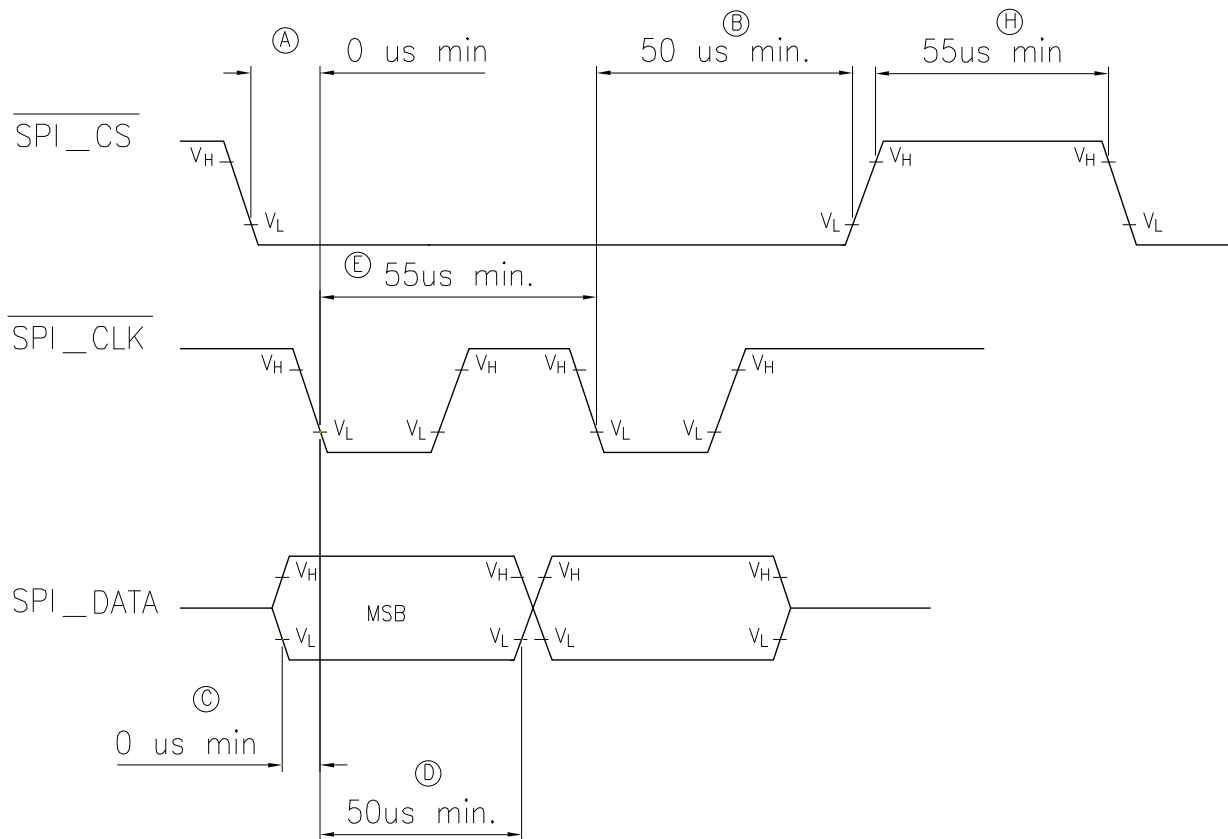
- Observe the operating temperature limitations: -20°C minimum to +70°C maximum with minimal fluctuation. Operation outside of these limits may shorten life and/or harm display.
  - At lower temperatures of this range, response time is delayed.
  - At higher temperatures of this range, display becomes dark. You may need to adjust the contrast.
- Operate away from dust, moisture, and direct sunlight.

## STORAGE AND RECYCLING

- Store in an ESD-approved container away from dust, moisture, and direct sunlight.
- Observe the storage temperature limitations: -30°C minimum to +80°C maximum with minimal fluctuation. Rapid temperature changes can cause moisture to form, resulting in permanent damage.
- Do not allow weight to be placed on the displays while they are in storage.
- Please recycle your outdated Crystalfontz modules at an approved facility.



## APPENDIX A: SPI TIMING DIAGRAMS



Appendix A Figure 1. CFA634 SPI Timing Diagrams

- A  $\overline{\text{SPI\_CS}}$  must be low before  $\overline{\text{SPI\_CLK}}$  falls
- B  $\overline{\text{SPI\_CS}}$  must stay low for the entire transfer
- C SPI\_DATA must be correct before  $\overline{\text{SPI\_CLK}}$  falls
- D SPI\_DATA must be held for a minimum of 50 us after  $\overline{\text{SPI\_CLK}}$  falls
- E The maximum clock rate is 1/55 us or 18.182 kHz
- F Data is transferred MSB first; two out of eight cycles are shown.
- G CPOL = 1, CPHA = 1 for most processors
- H Take  $\overline{\text{SPI\_CS}}$  high for a minimum of 55 us to guarantee bit synchronization.
- I Maximum throughput is  $1/(9 \times 55) = 2020$  bytes / second

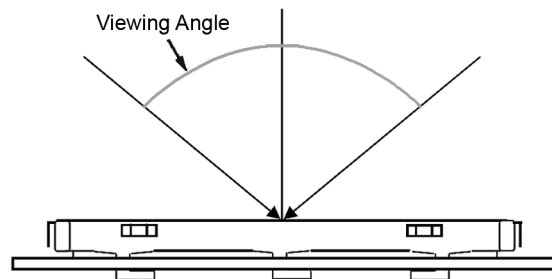


## APPENDIX B: QUALITY ASSURANCE STANDARDS

---

### INSPECTION CONDITIONS

- Environment
  - Temperature:  $25\pm 5^{\circ}\text{C}$
  - Humidity: 30~85% RH
- For visual inspection of active display area
  - Source lighting: two 20 Watt or one 40 Watt fluorescent light
  - Display adjusted for best contrast
  - Viewing distance:  $30\pm 5$  cm (about 12 inches)
  - Viewable angle: inspect at  $45^{\circ}$  angle of vertical line right and left, top and bottom

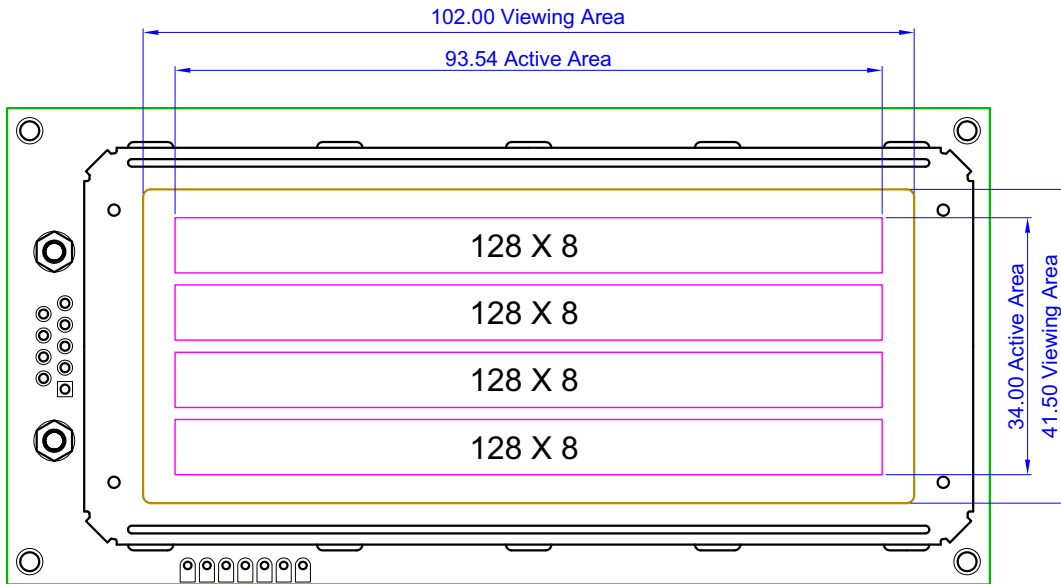


### COLOR DEFINITIONS

We try to describe the appearance of our modules as accurately as possible. For the photos, we adjust for optimal appearance. Actual display appearance may vary due to (1) different operating conditions, (2) small variations of component tolerances, (3) inaccuracies of our camera, (4) color interpretation of the photos on your monitor, and/or (5) personal differences in the perception of color.



## DEFINITION OF ACTIVE AREA AND VIEWABLE AREA



## ACCEPTANCE SAMPLING

DEFECT TYPE	AQL*
Major	≤0.65%
Minor	≤1.00%
*Acceptable Quality Level: maximum allowable error rate or variation from standard	

## DEFECTS CLASSIFICATION

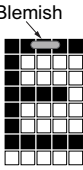
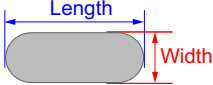
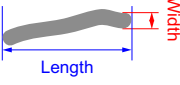
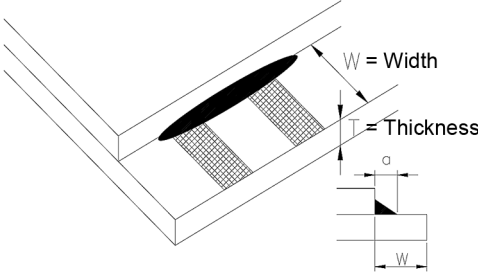
Defects are defined as:

- Major Defect: results in failure or substantially reduces usability of unit for its intended purpose
- Minor Defect: deviates from standards but is not likely to reduce usability for its intended purpose

## ACCEPTANCE STANDARDS

#	DEFECT TYPE	CRITERIA	MAJOR / MINOR
1	Electrical defects	1. No display, display malfunctions, or shorted segments. 2. Current consumption exceeds specifications.	Major
2	Viewing area defect	Viewing area does not meet specifications. (See <a href="#">Inspection Conditions (Pg. 38)</a> ).	Major



#	DEFECT TYPE	CRITERIA			MAJOR / MINOR	
3	Contrast adjustment defect	Contrast adjustment fails or malfunctions.			Major	
4	Blemishes or foreign matter on display segments		<i>Defect Size (mm)</i>	<i>Acceptable Qty</i>	Minor	
			$\leq 0.3$	3		
			$\leq 2$ defects within 10 mm of each other			
5	Other blemishes or foreign matter outside of display segments	Defect size = $(A + B)/2$ 	<i>Defect Size (mm)</i>	<i>Acceptable Qty</i>	Minor	
			$\leq 0.15$	Ignore		
			0.15 to 0.20	3		
			0.20 to 0.25	2		
			0.25 to 0.30	1		
6	Dark lines or scratches in display area		<i>Defect Width (mm)</i>	<i>Defect Length (mm)</i>	<i>Acceptable Qty</i>	Minor
			$\leq 0.03$	$\leq 3.0$	3	
			0.03 to 0.05	$\leq 2.0$	2	
			0.05 to 0.08	$\leq 2.0$	$\leq 1/4W$	
			0.08 to 0.10	$\leq 3.0$	0	
			$\geq 0.10$	$> 3.0$	0	
7	Bubbles between polarizer film and glass		<i>Defect Size (mm)</i>	<i>Acceptable Qty</i>	Minor	
			$\leq 0.20$	Ignore		
			0.20 to 0.40	3		
			0.40 to 0.60	2		
			$\geq 0.60$	0		
8	Glass rest defect				Minor	





#	DEFECT TYPE	CRITERIA	MAJOR / MINOR									
9	Display pattern defect		Minor									
		<table border="1"> <tr> <th>Dot Size (mm)</th> <th>Acceptable Qty</th> </tr> <tr> <td><math>((A+B)/2) \leq 0.2</math></td> <td rowspan="4"> <math>\leq 3</math> total defects  <math>\leq 2</math> pinholes per digit         </td> </tr> <tr> <td><math>C &gt; 0</math></td> </tr> <tr> <td><math>((D+E)/2) \leq 0.25</math></td> </tr> <tr> <td><math>((F+G)/2) \leq 0.25</math></td> </tr> </table>		Dot Size (mm)	Acceptable Qty	$((A+B)/2) \leq 0.2$	$\leq 3$ total defects $\leq 2$ pinholes per digit	$C > 0$	$((D+E)/2) \leq 0.25$	$((F+G)/2) \leq 0.25$		
		Dot Size (mm)		Acceptable Qty								
		$((A+B)/2) \leq 0.2$		$\leq 3$ total defects $\leq 2$ pinholes per digit								
		$C > 0$										
$((D+E)/2) \leq 0.25$												
$((F+G)/2) \leq 0.25$												
10	Chip in corner		Minor									
		<table border="1"> <tr> <th>a</th> <th>b</th> <th>c</th> <th>Acceptable Qty</th> </tr> <tr> <td><math>&lt; 4</math> mm</td> <td><math>\leq W</math></td> <td><math>c \leq T</math></td> <td>3</td> </tr> </table>		a	b	c	Acceptable Qty	$< 4$ mm	$\leq W$	$c \leq T$	3	
		a		b	c	Acceptable Qty						
$< 4$ mm	$\leq W$	$c \leq T$	3									
11	Chip on "non-contact" edge of LCD		Minor									
		<table border="1"> <tr> <th>a</th> <th>b</th> <th>c</th> </tr> <tr> <td><math>\leq 3</math> mm</td> <td><math>\leq 1</math> mm</td> <td><math>\leq T</math></td> </tr> <tr> <td><math>\leq 4</math> mm</td> <td><math>\leq 1.5</math> mm</td> <td><math>\leq T</math></td> </tr> </table>		a	b	c	$\leq 3$ mm	$\leq 1$ mm	$\leq T$	$\leq 4$ mm	$\leq 1.5$ mm	$\leq T$
		a		b	c							
$\leq 3$ mm	$\leq 1$ mm	$\leq T$										
$\leq 4$ mm	$\leq 1.5$ mm	$\leq T$										



#	DEFECT TYPE	CRITERIA	MAJOR / MINOR				
12	Chip on "contact" edge of LCD, on the active side		Minor				
				<i>a</i>	<i>b</i>	<i>c</i>	<i>Acceptable Qty</i>
				≤2 mm	≤W/4	≤T	Ignore
				≤3 mm	≤W/4	≤T	3
13	Chip on "contact" edge of LCD, on the inactive side		Minor				
				<i>a</i>	<i>b</i>	<i>c</i>	<i>Acceptable Qty</i>
				≤3 mm	≤1 mm	≤T	Ignore
				≤4 mm	≤1.5 mm	≤T	3
14	Chip in seal area	<p><i>a</i> = length  <i>b</i> = width  <i>c</i> = thickness</p>	Minor				
				<i>a</i>	<i>b</i>	<i>c</i>	<i>Acceptable Qty</i>
				<3 mm	≤1.5 mm	≤1/2 T	3
Unacceptable if <i>c</i> >50% of glass thickness or if the seal area is damaged.			Major				



#	DEFECT TYPE	CRITERIA	MAJOR / MINOR
15	Backlight defects	<ol style="list-style-type: none"><li>1. Light fails or flickers.*</li><li>2. Color and luminance do not correspond to specifications.*</li><li>3. Exceeds standards for display's blemishes or foreign matter (<a href="#">see test 5, Pg. 40</a>), and dark lines or scratches (<a href="#">see test 6, Pg. 40</a>).</li></ol> <p><i>*Minor if display functions correctly. Major if the display fails.</i></p>	Minor
16	COB defects	<ol style="list-style-type: none"><li>1. Pinholes &gt;0.2 mm.</li><li>2. Seal surface has pinholes through to the IC.</li><li>3. More than 3 locations of sealant beyond 2 mm of the sealed areas.</li></ol>	Minor
17	PCB defects	<ol style="list-style-type: none"><li>1. Oxidation or contamination on connectors.*</li><li>2. Wrong parts, missing parts, or parts not in specification.*</li><li>3. Jumpers set incorrectly.</li><li>4. Solder (if any) on bezel, LED pad, zebra pad, or screw hole pad is not smooth.</li></ol> <p><i>*Minor if display functions correctly. Major if the display fails.</i></p>	Minor
18	Soldering defects	<ol style="list-style-type: none"><li>1. Unmelted solder paste.</li><li>2. Cold solder joints, missing solder connections, or oxidation.*</li><li>3. Solder bridges causing short circuits.*</li><li>4. Residue or solder balls.</li><li>5. Solder flux is black or brown.</li></ol> <p><i>*Minor if display functions correctly. Major if the display fails.</i></p>	Minor