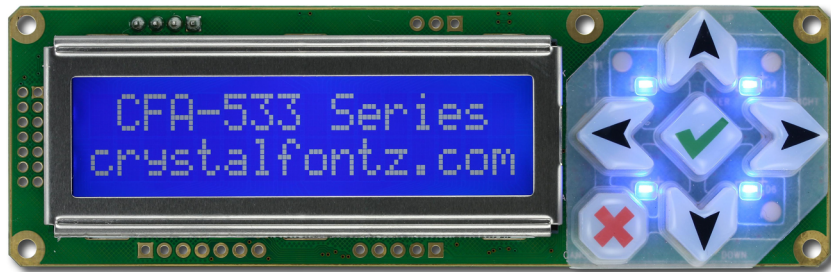




# CrystalFontz America, Incorporated

## INTELLIGENT SERIAL LCD MODULE SPECIFICATIONS



CrystalFontz Model Number	<b>CFA533-TMI-KL</b>
Hardware Version	<b>Revision v1.1, August 2011</b>
Firmware Version	<b>Revision 1s1, August 2011</b>
Data Sheet Version	<b>Revision v3.0, August 2011</b>
Product Pages	<a href="http://www.crystalfontz.com/product/CFA533-TMI-KL.html">http://www.crystalfontz.com/product/CFA533-TMI-KL.html</a>

### CrystalFontz America, Incorporated

12412 East Saltese Avenue  
Spokane Valley, WA 99216-0357

Phone: 888-206-9720

Fax: 509-892-1203

Email: [techinfo@crystalfontz.com](mailto:techinfo@crystalfontz.com)

URL: [www.crystalfontz.com](http://www.crystalfontz.com)



# CONTENTS

<b>MAIN FEATURES</b> .....	<b>11</b>
<b>Comparison to CFA633</b> .....	<b>11</b>
<b>Features</b> .....	<b>11</b>
<b>Build Configuration options</b> .....	<b>12</b>
<b>Module Classification Information</b> .....	<b>12</b>
<b>Ordering Information</b> .....	<b>13</b>
<b>MECHANICAL SPECIFICATIONS</b> .....	<b>14</b>
<b>Physical Characteristics</b> .....	<b>14</b>
<b>Module Outline Drawings</b> .....	<b>15</b>
<b>Jumper Locations and Functions</b> .....	<b>17</b>
<b>Keypad Detail Drawing</b> .....	<b>18</b>
<b>Panel Mounting Application Cutout Drawing</b> .....	<b>19</b>
<b>ELECTRICAL SPECIFICATIONS</b> .....	<b>20</b>
<b>System Block Diagram</b> .....	<b>20</b>
<b>Supply Voltages and Current</b> .....	<b>21</b>
<b>Absolute Maximum Ratings</b> .....	<b>23</b>
<b>DC Characteristics</b> .....	<b>23</b>
<b>ESD (Electro-Static Discharge) Specifications</b> .....	<b>23</b>
<b>OPTICAL SPECIFICATIONS</b> .....	<b>24</b>
<b>Optical Characteristics</b> .....	<b>24</b>
<b>Test Conditions and Definitions for Optical Characteristics</b> .....	<b>24</b>
<b>LED BACKLIGHT</b> .....	<b>27</b>
<b>CONNECTION INFORMATION</b> .....	<b>27</b>
<b>Overview of Connection Information</b> .....	<b>27</b>
<b>Standard (+5v) Power Supply Connection</b> .....	<b>28</b>
1. Standard (+5v) Connection through J_PWR Connector .....	<b>29</b>
2. Standard (+5v) Connection through J8 Connector .....	<b>30</b>
3. Standard (+5v) Connection through J_RS232 Connector .....	<b>31</b>
<b>ATX Power Supply and Control Connection for Host Power Sense</b> .....	<b>31</b>
ATX Power Supply Connection .....	<b>31</b>
ATX Control Connections for Host Power Sense through J_PWR or J8 Connector .....	<b>32</b>
ATX Keypad Control .....	<b>36</b>
<b>Data Communications: Details for RS232 Connections</b> .....	<b>36</b>
<b>GPIO Connections</b> .....	<b>37</b>
<b>Dallas Semiconductor 1-Wire Device Connections for Optional Accessories</b> .....	<b>38</b>
Temperature Sensors .....	<b>38</b>
Other 1-Wire Devices .....	<b>39</b>
<b>HOST COMMUNICATIONS</b> .....	<b>39</b>
<b>Packet Structure</b> .....	<b>39</b>
<b>About Handshaking</b> .....	<b>40</b>
<b>Report Codes</b> .....	<b>41</b>
0x80: Key Activity .....	<b>41</b>
0x82: Temperature Sensor Report .....	<b>41</b>
<b>Command Codes</b> .....	<b>42</b>



## CONTENTS, CONTINUED

0 (0x00): Ping Command	42
1 (0x01): Get Hardware & Firmware Version	42
2 (0x02): Write User Flash Area	43
3 (0x03): Read User Flash Area	43
4 (0x04): Store Current State as Boot State	43
5 (0x05): Reboot CFA533, Reset Host, or Power Off Host	44
6 (0x06): Clear LCD Screen	44
7 (0x07): Set LCD Contents, Line 1	45
8 (0x08): Set LCD Contents, Line 2	45
9 (0x09): Set LCD Special Character Data	46
10 (0x0A): Read 8 Bytes of LCD Memory	46
11 (0x0B): Set LCD Cursor Position	46
12 (0x0C): Set LCD Cursor Style	47
13 (0x0D): Set LCD Contrast	47
14 (0x0E): Set LCD & Keypad Backlight	48
18 (0x12): Read DOW Device Information	48
19 (0x13): Set Up Temperature Reporting	49
20 (0x14): Arbitrary DOW Transaction	51
21 (0x15): Set Up Live Temperature Display	51
22 (0x16): Send Command Directly to the LCD Controller	52
23 (0x17): Configure Key Reporting	52
24 (0x18): Read Keypad, Polled Mode	53
28 (0x1C): Set ATX Switch Functionality	54
29 (0x1D): Enable/Feed Host Watchdog Reset	56
30 (0x1E): Read Reporting/ATX/Watchdog (debug)	57
31 (0x1F): Send Data to LCD	57
33 (0x21): Set Baud Rate	57
34 (0x22): Set/Configure GPIO	58
35 (0x23): Read GPIO Pin Levels and Configuration State	59
<b>CHARACTER GENERATOR ROM (CGROM)</b>	<b>61</b>
<b>LCD MODULE RELIABILITY AND LONGEVITY</b>	<b>62</b>
<b>Module Reliability</b>	<b>62</b>
<b>Module Longevity (EOL / Replacement Policy)</b>	<b>62</b>
<b>CARE AND HANDLING PRECAUTIONS</b>	<b>62</b>
<b>APPENDIX A: QUALITY ASSURANCE STANDARDS</b>	<b>65</b>
<b>APPENDIX B: SAMPLE CODE AND CALCULATING THE CRC</b>	<b>71</b>
<b>Sample Code</b>	<b>71</b>
<b>Algorithms to Calculate the CRC</b>	<b>71</b>
Algorithm 1: "C" Table Implementation	71
Algorithm 2: "C" Bit Shift Implementation	72
Algorithm 2B: "C" Improved Bit Shift Implementation	73
Algorithm 3: "PIC Assembly" Bit Shift Implementation	74
Algorithm 4: "Visual Basic" Table Implementation	75
Algorithm 5: "Java" Table Implementation	77



Algorithm 6: "Perl" Table Implementation ----- 78  
 Algorithm 7: For PIC18F8722 or PIC18F2685 ----- 79  
**APPENDIX C: CONNECTING A DS2450 1-WIRE QUAD A/D CONVERTER ----- 82**

## LIST OF FIGURES

Figure 1. CFA533-TMI-KL Module Outline Drawings (two pages below) ----- 15  
 Figure 2. Jumper Locations and Functions ----- 17  
 Figure 3. Keypad Detail Drawing ----- 18  
 Figure 4. Panel Mounting Application Cutout Drawing ----- 19  
 Figure 5. System Block Diagram ----- 20  
 Figure 6. CFA533-TMI-KL Current Usage (same as CFA533-TMI-KS) ----- 22  
 Figure 7. Definition of Operation Voltage ( $V_{OP}$ ) (Negative)----- 25  
 Figure 8. Definition of Response Time ( $T_r$ ,  $T_f$ ) (Negative)- ----- 25  
 Figure 9. Definition of Horizontal and Vertical Viewing Angles ( $CR > 2$ )- ----- 26  
 Figure 10. Definition of 6:00 O'Clock and 12:00 O'Clock Viewing Angles----- 26  
 Figure 11. Standard (+5v) Connection through J\_PWR- ----- 29  
 Figure 12. Standard (+5v) Connection through J8 ----- 30  
 Figure 13. CFA533-TMI-KL Standard (+5v) Connection through J\_RS232 Connector ----- 31  
 Figure 14. ATX Host Power Sense through +5v on J\_PWR Connector ----- 32  
 Figure 15. ATX Power Supply and Control Using Crystalfontz WR-PWR-Y14 Cable ----- 33  
 Figure 16. ATX Host Power Sense through GPIO[1] on J8 Connector----- 34  
 Figure 17. J\_RS232 Default and Alternate Pin Assignments ----- 37  
 Figure 18. Location of GPIO Connections, Resistors, and J\_DOW ----- 38  
 Figure 19. Character Generator ROM (CGROM) ----- 61



## REVISION HISTORY

HARDWARE	
2011/08/03	<p>Current hardware version: <b>v1.1</b> is printed on back of PCB. <i>Note:</i> Command <a href="#">1 (0x01): Get Hardware &amp; Firmware Version (Pg. 42)</a> returns "1h1".</p> <p>As the inventory of hardware version v1.0 depletes, we are phasing in the improved v1.1. The v1.1 should be a drop-in replacement for any v1.0 application.</p> <p>Changes since last hardware revision (v1.0):</p> <ol style="list-style-type: none"><li>1. Minor changes to PCB layout to improve ease of manufacturing. Includes new inductor package for backlight control circuit.</li><li>2. JPGPIO1 added. This jumper will be closed by default. The jumper bypasses a 5K<math>\Omega</math> pull-up resistor that is in line with GPIO[1] to the microcontroller.</li><li>3. New color variant CFA533-TFH-xx is available. Dark (near-black) pixels on light (near-white) background.</li></ol> <p>See part change notice <a href="#">PCN #10351</a> for additional information including photos comparing the last version v1.0 with the current v1.1 version.</p>
2010/06/06	<p>Hardware version: v1.0 (revision number has not changed) We are transitioning to an improved keypad from "10.5" millimeters to "12.00" millimeters high. See part change notice <a href="#">PCN #10282</a>.</p>
2010/03/18	<p>Hardware version: v1.0 Changes since last hardware revision (v0.1): As the inventory of hardware version v0.1 depletes, we are phasing in the improved v1.0. The v1.0 should be a drop-in replacement for any v0.1 application.</p> <ol style="list-style-type: none"><li>1. Added a JPUSBSENSE jumper to help user configuration. See Jumper Locations and Functions.</li><li>2. Changed JPPFG to RFG. RFG connects 1M<math>\Omega</math> between logic ground and frame ground. See Jumper Locations and Functions.</li><li>3. PCB layout changes:<ul style="list-style-type: none"><li>- Added more breaks to the frame ground (FG) trace that surrounds the board so there is not a loop.</li><li>- Added masking on FG trace where connectors may be hand soldered to ease assembly.</li><li>- Moved vias from under the zebra near the ends of the bezel to assure no shorts between the vias and the bezel.</li><li>- Made mounting hole annular ring (pads) larger to avoid component damage by tools during assembly.</li><li>- Resistors are loaded wherever needed.</li></ul></li><li>4. Module weight increased from "40" grams to "41" grams.</li></ol>
2007/12/31	<p>Hardware version: v0.1 New module.</p>



FIRMWARE	
2011/08/03	<p>Current firmware version: <b>1s1</b> Changes since last firmware revision (s1.0):</p> <p><i>Firmware Fixes</i></p> <ol style="list-style-type: none"><li>1. Command <a href="#">9 (0x09): Set LCD Special Character Data (Pg. 46)</a>, improved data input checking by limiting values passed for <code>data [19]</code> must be less than 64 (0-63).</li><li>2. Command <a href="#">11 (0x0B): Set LCD Cursor Position (Pg. 46)</a>, cursor movement and control issue was resolved.</li><li>3. Command <a href="#">20 (0x14): Arbitrary DOW Transaction (Pg. 51)</a>, corrected data size limits for DOW command.</li></ol> <p><i>Firmware Enhancements</i></p> <ol style="list-style-type: none"><li>1. Command <a href="#">28 (0x1C): Set ATX Switch Functionality (Pg. 54)</a>,<ul style="list-style-type: none"><li>● ATX power functionality pulse width variable affects power on, power off, and reset pulses. Used only to affect the power on pulse.</li><li>● ATX power functionality pulse width option of 255 to hold pulse low until +5v state changes.</li><li>● ATX power functionality power off feature is more compatible with stable power systems. Fluctuations in voltage may cause unusual behavior.</li></ul></li><li>2. Baud rate for serial interface is now more accurate across the module's range of operating voltages. See <a href="#">33 (0x21): Set Baud Rate (Pg. 57)</a>.</li></ol> <p>See part change notice <a href="#">PCN #10352</a> for additional information.</p>
2010/05/15	<p>Firmware version: s1.0 Changes since last firmware revision (s0.x→s1.0): Firmware version now matches all modules that are hardware version v1.0.</p>
2009/04/15	<p>Firmware version: s0.x→s1.0 New firmware.</p>



DATA SHEET	
2011/08/06	<p>Data Sheet version: <b>v3.0</b> Changes since last Data Sheet revision (v2.1) :</p> <ul style="list-style-type: none"><li>● Revised text and drawings to reflect the changes described in the hardware and firmware revision history listed above this table.</li><li>● Improved information in current consumption graph in <a href="#">Supply Voltages and Current (Pg. 21)</a>.</li><li>● Added specifications <a href="#">Absolute Maximum Ratings (Pg. 23)</a>.</li><li>● Added specifications <a href="#">DC Characteristics (Pg. 23)</a>.</li><li>● Expanded specifications in <a href="#">OPTICAL SPECIFICATIONS (Pg. 24)</a>.</li><li>● Command <a href="#">10 (0x0A): Read 8 Bytes of LCD Memory (Pg. 46)</a>, corrected “data [0] is the address code native to the LCD controller” <i>from</i> <code>0x80 (\128) to 0x93 (\147) for DDRAM, line 1</code> <code>0xC0 (\192) to 0xD3 (\211) for DDRAM, line 2</code> <i>to</i> <code>0x80 (\128) to 0x8F (\143) for DDRAM, line 1</code> <code>0xC0 (\192) to 0xCF (\207) for DDRAM, line 2</code></li><li>● Command <a href="#">21 (0x15): Set Up Live Temperature Display (Pg. 51)</a>, corrected <i>from</i> <code>data[0]: display slot (0-7)</code> <i>to</i> <code>data[0]: display slot (0-3)</code></li><li>● Command <a href="#">28 (0x1C): Set ATX Switch Functionality (Pg. 54)</a>, corrected “data [1]: (optional) length of power on &amp; off pulses in 1/32 second” <i>from</i> <code>255 = 8 sec</code> <i>to</i> <code>254 = pulse length</code> <code>255 = pin held until power drops (length of time pin is held in active state)</code></li><li>● In <a href="#">Module Reliability (Pg. 62)</a>, increased backlight specification from “70%” to “90%”. This higher rating was confirmed during a long-term test.</li></ul>
2011/01/17	<p>Data Sheet version: v2.1 Changes since last Data Sheet revision ( v2.0):</p> <ul style="list-style-type: none"><li>● In command 4 (0x04): Store Current State as Boot State, added Errata Note. Please read this note.</li></ul>



### DATA SHEET (Continued)

2010/12/28

Data Sheet version: v2.0

Changes since last Data Sheet revision (v1.1):

- Wherever listed or shown in illustration, changed keypad from “10.5” millimeters to “12.00” millimeters high. This transition started 2010/06/06. See [PCN 10282](#).
- Wherever listed, deleted dash (“-”) from module part numbers to match how they now appear on our website without the dash (“-”).
- In Features, added “RoHS compliant”, “Factories are ISO certified”, and that materials are in compliance with EU Directive “REACH”.
- In Ordering Information,
  - Changed part numbers for I<sup>2</sup>C variants of CFA-533 modules to end in “-KC” instead of “-KI”.
  - For I<sup>2</sup>C variants, deleted note “Semi-custom part number and minimum order may apply.” Modules may be ordered through the website using its standard part number, no minimum required.
- In Physical Characteristics,
  - Changed module depth dimension to include keypad “12.00” millimeters high (formerly 10.5 millimeters high).
  - Module weight increased from “40” grams to “41” grams.
- Updated information in Jumper Locations and Functions due to hardware revision v1.0. Added a JPUSBSense jumper to help user configuration. Changed JPFg to RFG. RFG connects 1MΩ between logic ground and frame ground.
- Added OPTICAL CHARACTERISTICS section, with definition of viewing angles.
- In Temperature and Humidity Ratings, added Humidity Range specification.
- Based on hardware revision v1.0, expanded and improved information and illustrations on all power and control connections. See CONNECTION INFORMATION.
  - Pay special attention to the section on ATX Power Supply and Control Connection for Host Power Sense.
  - Because in hardware version 1.0 resistors are loaded by default, all references to “resistors not loaded” were removed.
- In command 8 (0x08): Set LCD Contents, Line 2, corrected screen display text from  
`data[] = TOP line's display content (must supply 16 bytes)`  
to  
`data[] = BOTTOM line's display content (must supply 16 bytes)`
- In command 11 (0x0B): Set LCD Cursor Position, corrected from  
`data[0] = column (0-19 valid)`  
`data[1] = row (0-3 valid)`  
to  
`data[0] = column (0-15 valid)`  
`data[1] = row (0-1 valid)`
- In command 12 (0x0C): Set LCD Cursor Style, corrected from “3 = blinking block plus underscore” to “3 = blinking underscore”. This behavior is not the same as the CFA633 series which is “3 = blinking block plus underscore”.





DATA SHEET (Continued)	
2010/12/28	<ul style="list-style-type: none"><li>● In command 22 (0x16): Send Command Directly to the LCD Controller, corrected "<i>The Neotec NT7070B controller on the CFA-533 is S6A0073 compatible.</i>" to "<i>The controller on the CFA-533 is a Neotec NT7070B (HD44780 compatible).</i>"</li><li>● In command 33 (0x21): Set Baud Rate, corrected from "data_length: 1" to "data_length: 0".</li><li>● In command 35 (0x23): Read GPIO Pin Levels and Configuration State),<ul style="list-style-type: none"><li>- Replaced upper case "X" with lower case "x".</li></ul></li><li>● Corrected "data_length" from "4" to "1". In APPENDIX B: SAMPLE CODE AND CALCULATING THE CRC.<ul style="list-style-type: none"><li>- In Sample Code, added hyperlinks to free downloadable sample code available on our website.</li><li>- In sample code for Algorithm 1: "C" Table Implementation and Algorithm 2: "C" Bit Shift Implementation, added typedefs for "ubyte" and "word".</li><li>- Added sample code Algorithm 7: For PIC18F8722 or PIC18F2685.</li></ul></li><li>● In addition to list above, wherever needed, made minor changes in text and illustrations to improve clarity.</li></ul>
2009/06/20	<p>Data Sheet version: v1.1 Changes since last revision (v1.0):</p> <ul style="list-style-type: none"><li>● Note about semi-custom part number and minimum order in Ordering Information table was deleted. I<sup>2</sup>C can be ordered directly from our website.</li><li>● In ESD (Electro-Static Discharge) Specifications (Pg. 19), removed note on RS-232 pins.</li><li>● For command 33 (0x21): Set Baud Rate, corrected data[1] to data[0].</li><li>● Corrected explanation for CHARACTER GENERATOR ROM (CGROM).</li><li>● Minor wording and formatting changes.</li></ul>
2009/04/15	<p>Data Sheet version: v1.0 New Data Sheet.</p>



### **The Fine Print**

Certain applications using Crystalfontz America, Inc. products may involve potential risks of death, personal injury, or severe property or environmental damage ("Critical Applications"). CRYSTALFONTZ AMERICA, INC. PRODUCTS ARE NOT DESIGNED, INTENDED, AUTHORIZED, OR WARRANTED TO BE SUITABLE FOR USE IN LIFE-SUPPORT APPLICATIONS, DEVICES OR SYSTEMS OR OTHER CRITICAL APPLICATIONS. Inclusion of Crystalfontz America, Inc. products in such applications is understood to be fully at the risk of the customer. In order to minimize risks associated with customer applications, adequate design and operating safeguards should be provided by the customer to minimize inherent or procedural hazard. Please contact us if you have any questions concerning potential risk applications.

Crystalfontz America, Inc. assumes no liability for applications assistance, customer product design, software performance, or infringements of patents or services described herein. Nor does Crystalfontz America, Inc. warrant or represent that any license, either express or implied, is granted under any patent right, copyright, or other intellectual property right of Crystalfontz America, Inc. covering or relating to any combination, machine, or process in which our products or services might be or are used.

The information in this publication is deemed accurate but is not guaranteed.

Company and product names mentioned in this publication are trademarks or registered trademarks of their respective owners.

Copyright © 2011 by Crystalfontz America, Inc., 12412 East Saltese Avenue, Spokane Valley, WA 99216-0357 U.S.A.



# MAIN FEATURES

---

## COMPARISON TO CFA633

The CFA533 series is mechanically similar to the the CFA633 series. The CFA533 series command set is compatible with the CFA633 series. The CFA533 can be used as an economical “drop-in” replacement for most CFA633 series applications that do not need fan capabilities. In November 2010, we issued a Technical Bulletin that describes the differences between the CFA533 series and three versions of the CFA633 series. Please see part change notice [PCN #10291](#).

## FEATURES

- LED backlight STN 16 characters x 2 lines LCD with keypad and high-level interface. Fits nicely in a 1U rack mount case (35 mm overall height).
- Only a single supply is needed. Wide power supply voltage range ( $V_{DD} = +3.3v$  to  $+5.0v$ ) is perfect for embedded systems.
- Backlight and contrast are fully voltage compensated over the power supply range. No adjustments to the contrast setting or backlight brightness are needed.
- Bidirectional 19200 / 115200 baud logic-level asynchronous serial interface suitable to connect directly to microcontroller UART pins.
- Edge-lit white LED backlight with negative blue STN LCD. Displays light characters on blue background. Integrated blue LED backlit 6-button translucent silicon keypad with screened legend.
- Negative mode display is readable in normally office lighting and dark areas. (Not recommended for use in sunlight; may be washed out.)
- Fully decoded keypad: any key combination is valid and unique.
- Robust packet-based communications protocol with 16-bit CRC.
- Nonvolatile memory capability (EEPROM):
  - Customize the “power-on” display settings.
  - 16-byte “scratch” register for storing data such as IP address, netmask, system serial number . . .
- An optional 5.25-inch half-height drive bay kit with mounting bracket is available. See [Kit Configurator](#).
- RoHS compliant.
- Factories have ISO certification.
- Product materials are in compliance with the regulations related to the EU Directive 2006/121/EC for Registration, Evaluation, Authorization and Restriction of Chemicals (REACH). We work to continuously improve our products, including backlights that are brighter and last longer. Slight color variations from module to module and batch to batch are normal. If you need modules with consistent color, please ask for a custom order.
- If you need a CE or MET (UL type) approved LCD module, please see our XES635 USB series (<http://www.crystalfontz.com/products/635xes/index.html>). The CFA533-TMI-KL does not have CE or MET (UL type) certification because it is not an end product. The module requires power and communications from another system in order to operate.



## BUILD CONFIGURATION OPTIONS

We can make the modifications listed below for a small additional charge. For more information, call (888) 206-9720.

ATX Power Supply Control

A 7-pin connector is installed on the back of the PCB at J8. ATX power supply control functionality allows the buttons on the CFA533-TMI-KL to replace the Power and Reset switches on your system, simplifying front panel design. The ATX functionality can also implement a hardware watchdog that can reset host system on host software failure.

Install a Molex 70543-0002 Dallas One Wire header to daisy chain up to 32 of our [WR-DOW-Y17](#) Dallas Semiconductor 1-wire temperature sensor cables at up to 0.5 degrees celsius with absolute accuracy.

- “Live Display” shows up to four temperature readings without host intervention, allowing temperatures to be shown immediately at boot, even before the host operating system is loaded.
- RS-232 to Dallas Semiconductor 1-Wire bridge functionality allows control of other 1-Wire compatible devices such as ADC, voltage monitoring, current monitoring, RTC, GPIO, counters, and identification/encryption. (Additional hardware required.)

## MODULE CLASSIFICATION INFORMATION

CFA   533   -   T   M   I   -   K   L  
 ①   ②   ③   ④   ⑤   ⑥   ⑦

①	Brand	Crystalfontz America, Inc.
②	Model Identifier	533
③	Backlight Type & Color	T – LED, white
④	Fluid Type, Image (positive or negative), & LCD Glass Color	M – STN, negative blue
⑤	Polarizer Film Type, Temperature Range, & View Angle (O’Clock)	I – Transmissive, Wide Temperature Range <sup>1</sup> , 6:00
⑥	Special Code 1	K – Manufacturer’s code
⑦	Special Code 2	L – Serial interface, inverted, logic level

<sup>1</sup>Wide Temperature Range is -20°C minimum to +70°C maximum



## ORDERING INFORMATION

PART NUMBER	FLUID	LCD GLASS COLOR	IMAGE	POLARIZER FILM	BACKLIGHT COLOR/TYPE
CFA533-TMI-KL ("logic-level" RS-232)	STN	blue	negative	transmissive	LCD: white edge LEDs Keypad: blue LEDs 
CFA533-TFH-KC (I <sup>2</sup> C)	FSTN	light gray	positive	transflective	LCD: white edge LEDs Keypad: white LEDs 
CFA533-TFH-KL ("logic-level" RS-232)					
CFA533-TFH-KS ("full swing" RS-232)					
CFA533-TFH-KU (USB)					
CFA533-TMI-KC (I <sup>2</sup> C)	STN	blue	negative	transmissive	LCD: white edge LEDs Keypad: blue LEDs 
CFA533-TMI-KS ("full swing" RS-232)					
CFA533-TMI-KU (USB)					
CFA533-YYH-KC (I <sup>2</sup> C)	STN	yellow-green	positive	transflective	LCD: yellow-green edge LEDs Keypad: yellow-green LEDs 
CFA533-YYH-KL ("logic-level" RS-232)					
CFA533-YYH-KS ("full swing" RS-232)					
CFA533-YYH-KU (USB)					



# MECHANICAL SPECIFICATIONS

---

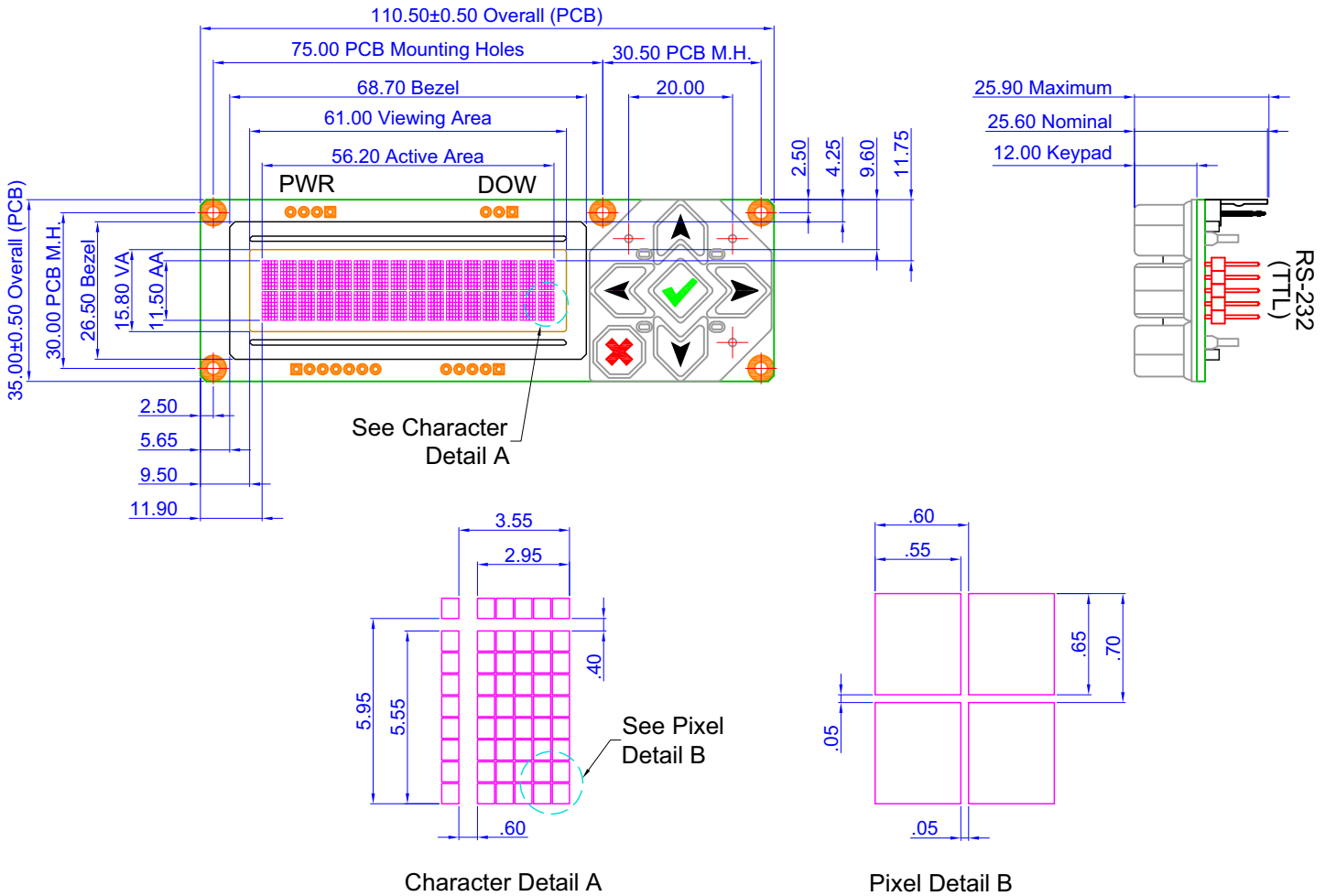
## PHYSICAL CHARACTERISTICS

ITEM	SIZE
LCD Module Overall Dimensions	
Width and Height	110.5 (W) x 35.0 (H)
Depth with Keypad, with RS-232 Connector	25.60 mm nominal 25.90 mm maximum
Viewing Area	61.0 (W) x 15.8 (H) mm
Active Area	56.2 (W) x 11.5 (H) mm
Character Size	2.95 (W) x 5.55 (H) mm
Character Pitch	3.55 (W) x 5.95 (H) mm
Pixel Size	0.55 (W) x 0.65 (H) mm
Pixel Pitch	0.60 (W) x 0.70 (H) mm
Keystroke Travel (approximate)	2.4 mm
Weight	41 grams (typical)



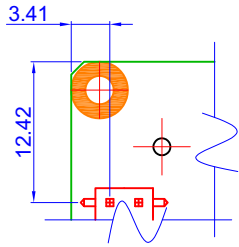
# MODULE OUTLINE DRAWINGS

Figure 1. CFA533-TMI-KL Module Outline Drawings (two pages below)

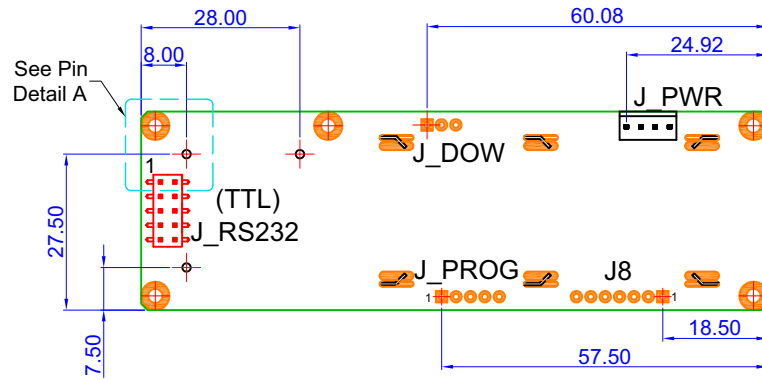
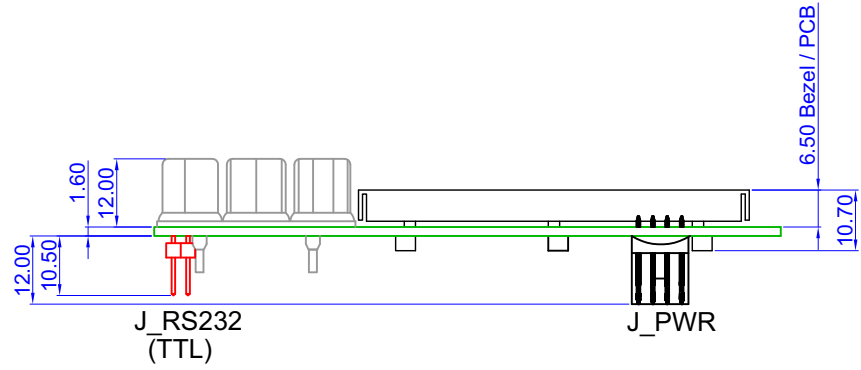
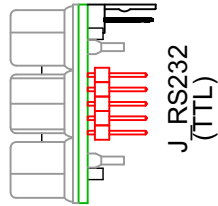


Notes: Tolerance is ±0.1 mm unless specified.





Pin Detail A



Back View

Note: Tolerance is  $\pm 0.5$  mm unless specified.



CrystalFontz America, Inc.

copyright © 2010 by

[www.crystalfontz.com/products/](http://www.crystalfontz.com/products/)

Part No.(s): CFA533-TFH-KL  
 CFA533-TMI-KL  
 CFA533-YYH-KL

Scale:  
 Not to scale  
 Units:  
 Millimeters

Drawing Number:  
 CFA533\_master  
 Date:  
 2011/07/25

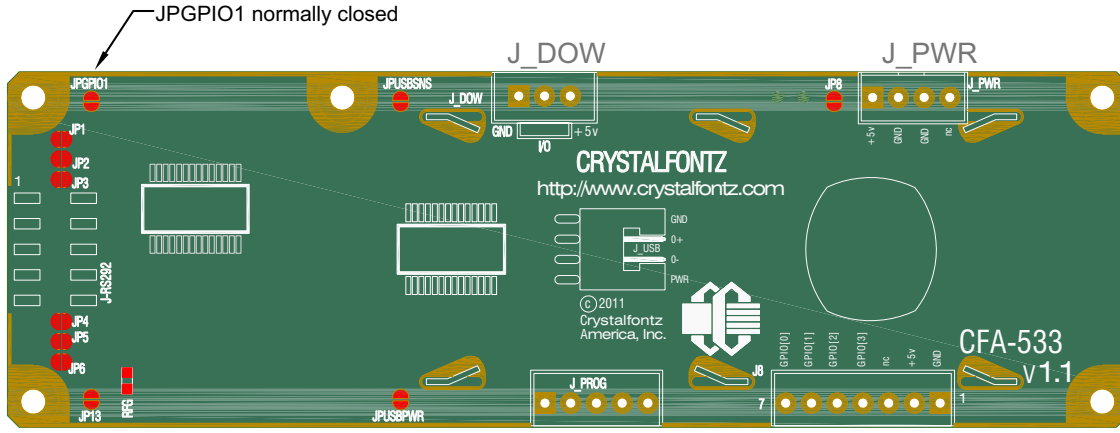
Hardware Rev.:  
 v1.1  
 Sheet:  
 2 of 2





## JUMPER LOCATIONS AND FUNCTIONS

The CFA533-TMI-KL has thirteen jumpers. Not all jumpers are used by all interfaces. Jumpers may be closed by melting a ball of solder across their gap. You may re-open the jumpers by removing the solder. Use solder wick to remove solder.



JUMPER	DEFAULT	FUNCTION	LOGIC LEVEL		
			KL	KS	CU
JP1	open closed	J1 (RS232), Pin 10 is open LCD Tx/Host Rx to J1 (RS232), Pin 10	X	X	N/A
JP2	open closed	J1 (RS232), Pin 2 is open (see also JP3 and JP11) LCD Tx/Host Rx to J1(RS232), Pin 2	X	X	N/A
JP3	open closed	J1 (RS232), Pin 2 is open (see also JP2 and JP11) LCD Rx/Host Tx to J1 (RS232), Pin 2	X	X	N/A
JP4	open closed	J1 (RS232), Pin 3 is open (see also JP5 and JP12) LCD Rx/Host Tx to J1 (RS232), Pin 3	X	X	N/A
JP5	open closed	J1 (RS232), Pin 3 is open (see also JP4 and JP12) Ground to J1 (RS232), Pin 3	X	X	N/A
JP6	open closed	J1 (RS232), Pin 5 is open Ground to J1 (RS232), Pin 5	X	X	N/A
JP8	open closed	+5v pin from PWR connector used only for ATX SENSE +5v pin from PWR connector supplies power to module	X	X	X
JP13	open closed	J1 (RS232), Pin 4 is open +5v to J1 (RS232), Pin 4	X	X	N/A
JUSBPWR	open closed	Module power independent of USB Module power supplied from USB	N/A	N/A	X
JUSBSNSE	open closed	No function +5v from USB is fed to processor's ATX SENSE	N/A	N/A	X
RFG	1MΩ 0Ω open	Mounting holes and FG trace surrounding PCB are discharged slowly to LOGIC GND. Mounting holes and FG trace are connected to LOGIC GND Mounting holes and FG trace surrounding PCB are open	X	X	X
JP11, JP12	N/A	Factory built options. Do not change. Not visible on KL and KS series.	X	X	N/A
JPGPIO1	closed	Bypass 5K Ω (R3) pull-up resistor for GPIO[1] to microcontroller.	X	X	X

Figure 2. Jumper Locations and Functions



# KEYPAD DETAIL DRAWING

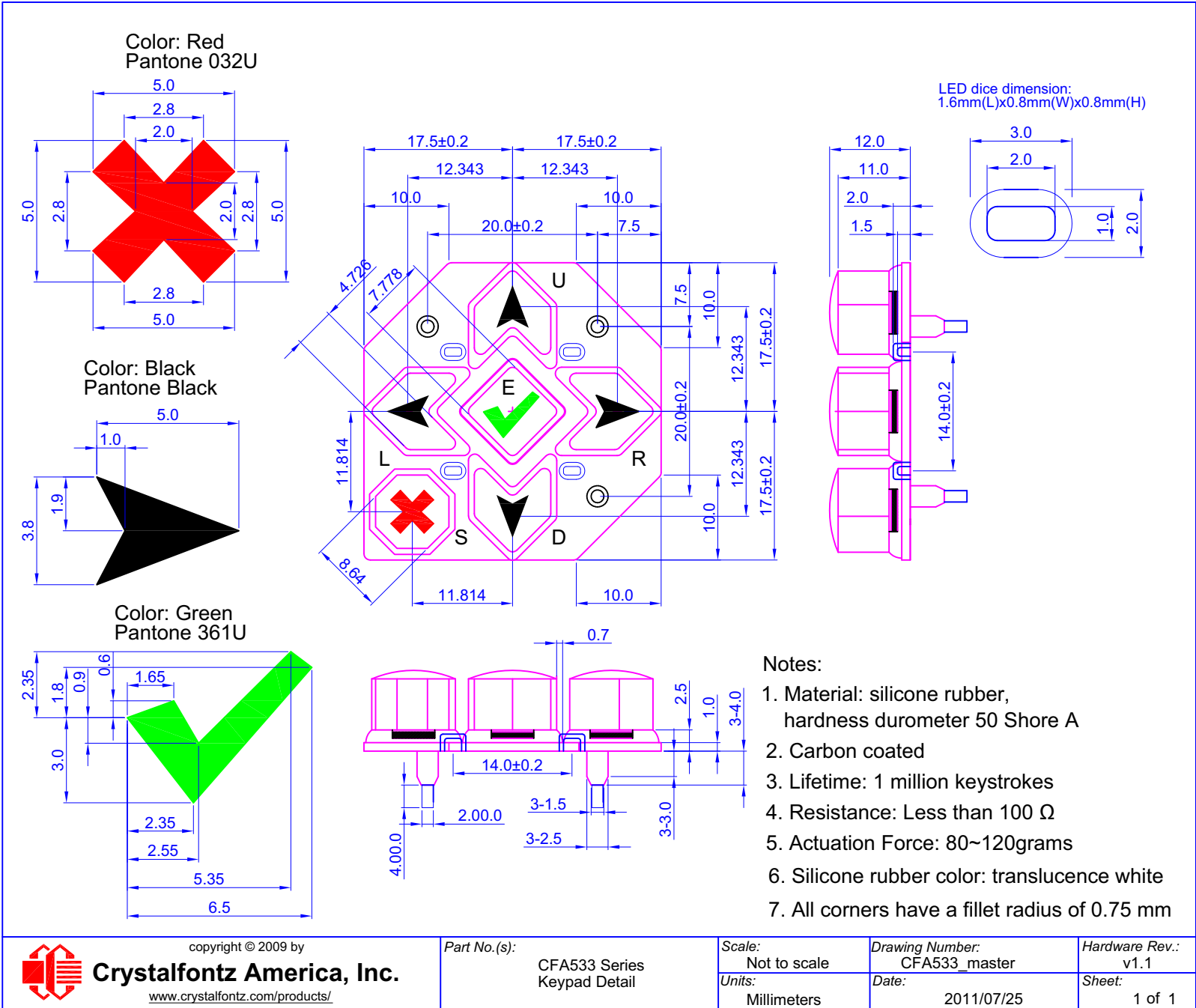


Figure 3. Keypad Detail Drawing



# PANEL MOUNTING APPLICATION CUTOUT DRAWING

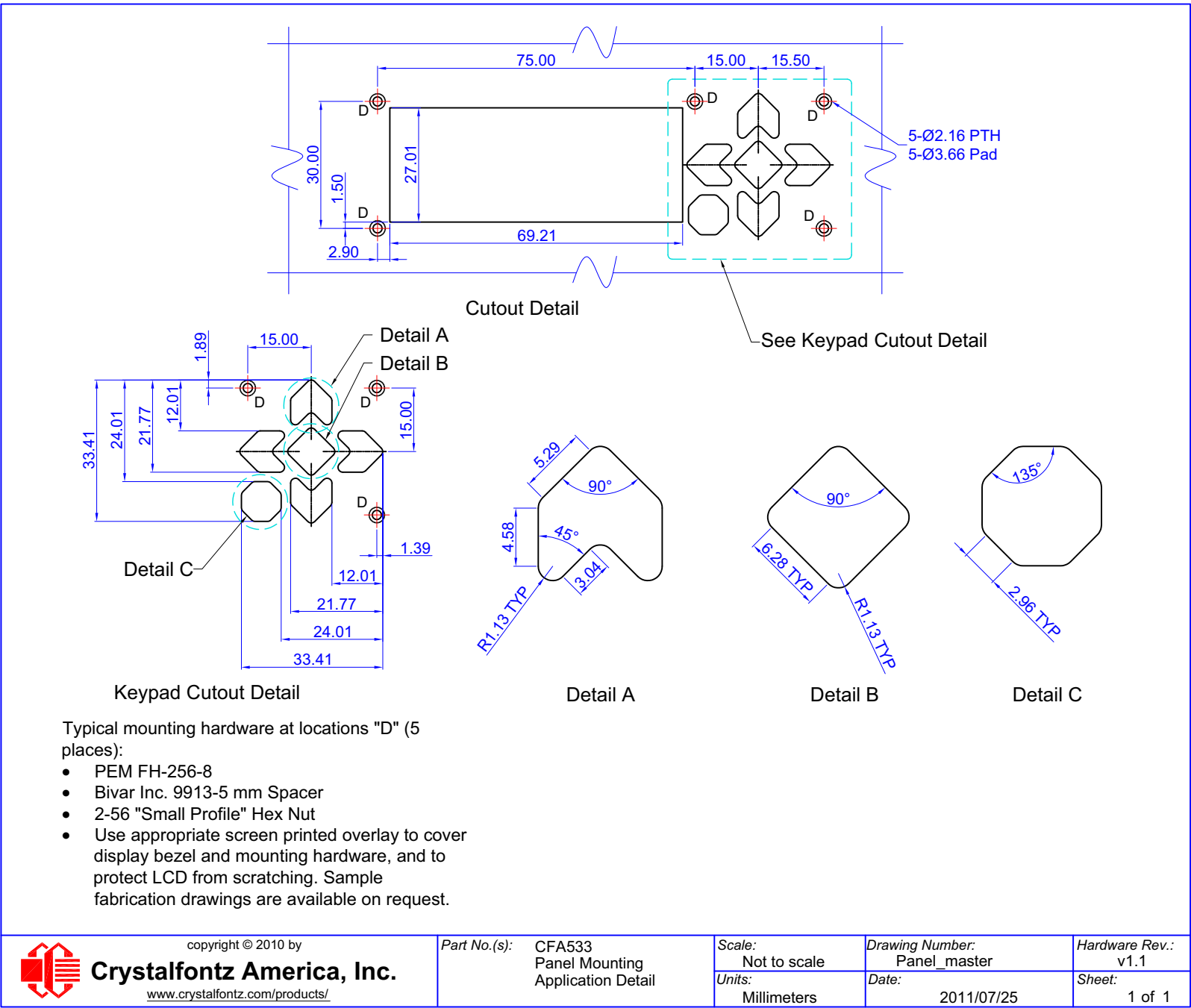


Figure 4. Panel Mounting Application Cutout Drawing



# ELECTRICAL SPECIFICATIONS

## SYSTEM BLOCK DIAGRAM

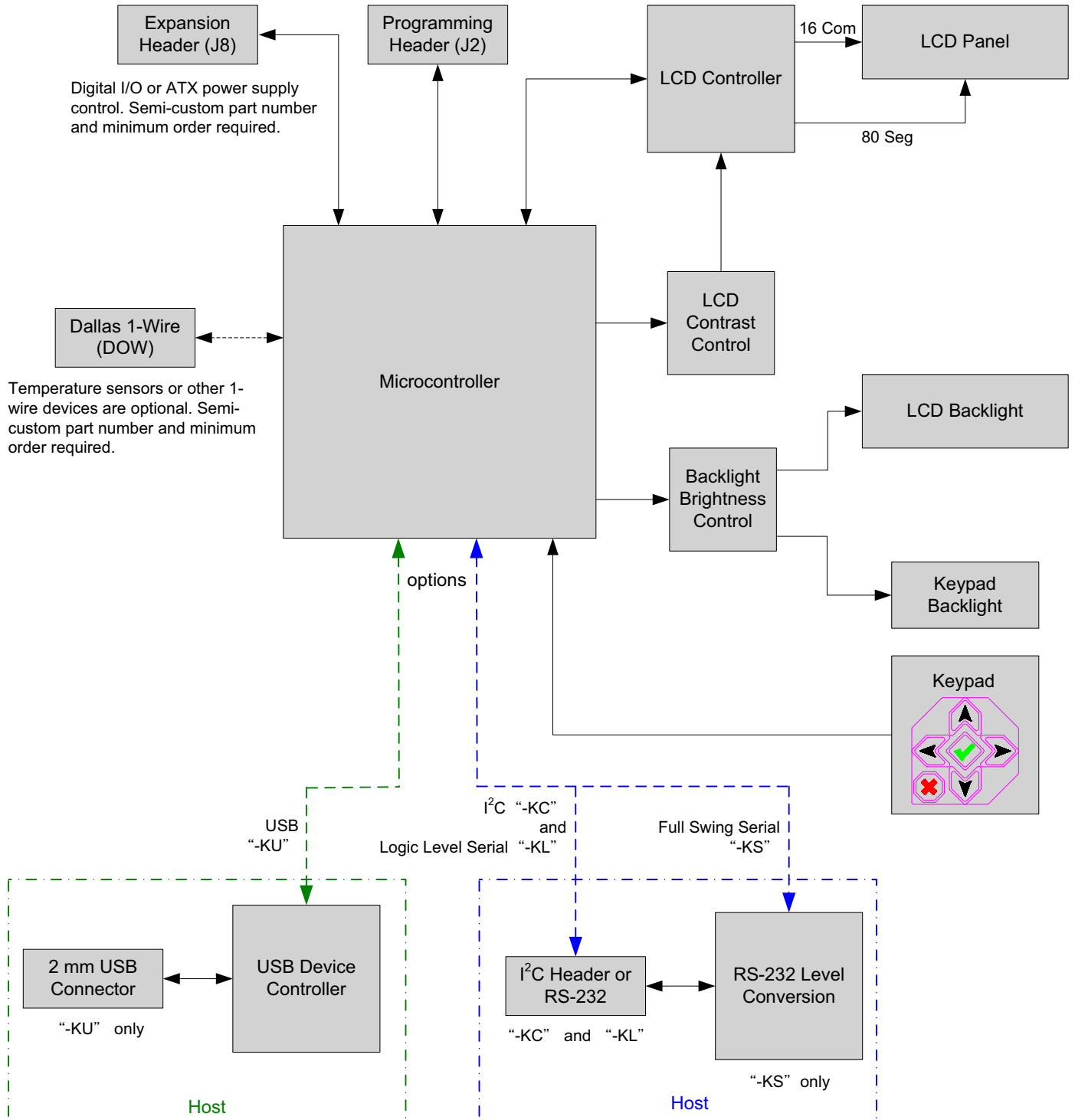


Figure 5. System Block Diagram



## SUPPLY VOLTAGES AND CURRENT

GPIO CURRENT LIMITS	SPECIFICATION
Sink	25 mA
Source	10 mA

SUPPLY VOLTAGE	MINIMUM	MAXIMUM
Power Supply Voltage ( $V_{DD}$ )	+3.3v	+5.5v
Pull-in Voltage		+3.2v
Drop-out Voltage		+3.0v

TYPICAL CURRENT CONSUMPTION	SPECIFICATION
+5v for logic (LCD + microcontroller)	< 20mA
+5v for logic (LCD + microcontroller) + TMI backlight at full brightness	< 100 mA

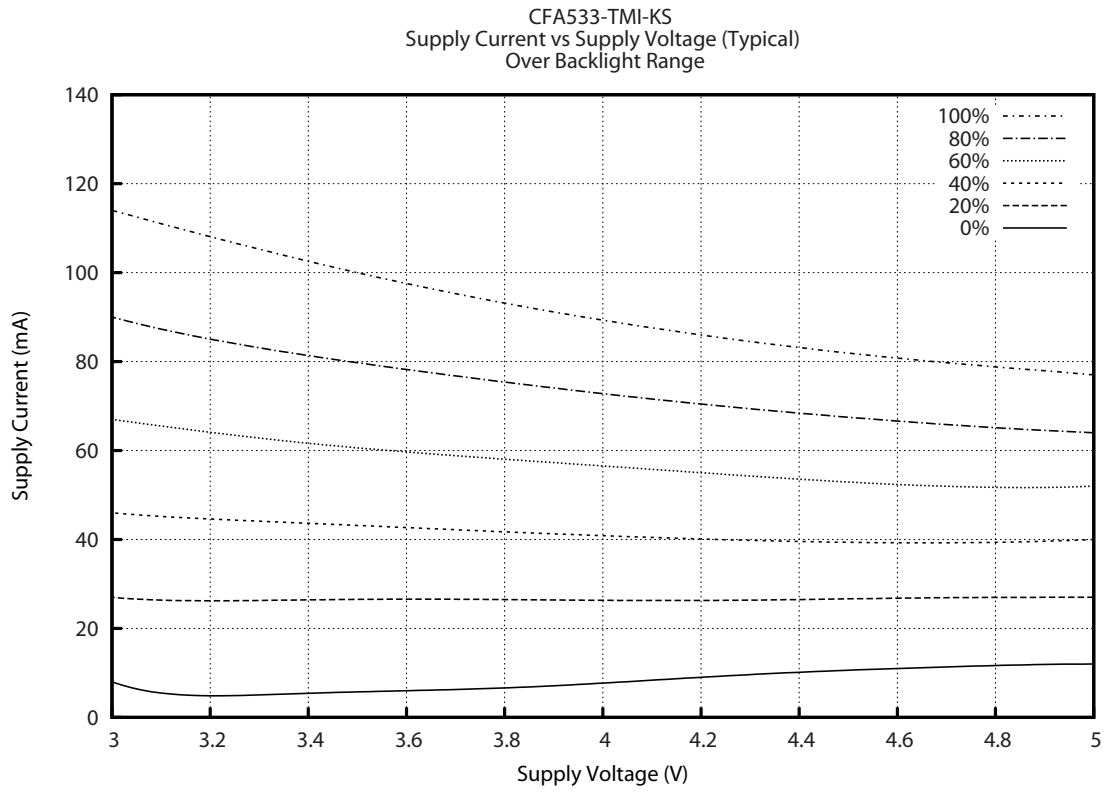


Figure 6. CFA533-TMI-KL Current Usage (same as CFA533-TMI-KS)



## ABSOLUTE MAXIMUM RATINGS

ABSOLUTE MAXIMUM RATINGS	SYMBOL	MINIMUM	MAXIMUM
Operating Temperature	T <sub>OP</sub>	-20°C	+70°C
Storage Temperature	T <sub>ST</sub>	-30°C	+80°C
Humidity Range (noncondensing)	RH	10%	90%
<p><b>Note</b>            Extended exposure to the absolute maximum ratings listed above may affect device reliability. Stresses beyond those listed above can cause permanent damage.</p>			

## DC CHARACTERISTICS

	DC CHARACTERISTICS	TEST CONDITIONS	SYMBOL	MINIMUM	TYPICAL	MAXIMUM
CONTROLLER AND BOARD	Supply Voltage for Logic	T <sub>OP</sub> = -30°C to +70°C	V <sub>DD</sub> - GND	+4.75v	+5.0v	+5.25v <sup>1</sup>
	Input High Voltage	V <sub>DD</sub> = +5v	V <sub>IH</sub>	V <sub>DD</sub> -1.0v		V <sub>DD</sub>
	Input Low Voltage		V <sub>IL</sub>	0v (GND)		+0.6v
	Output High Voltage		V <sub>OH</sub>	+0.9V <sub>DD</sub>		
	Output Low Voltage		V <sub>OL</sub>	0v (GND)		+0.1V <sub>DD</sub>
<p><sup>1</sup>Do not exceed +5.25v maximum.</p>						

## ESD (ELECTRO-STATIC DISCHARGE) SPECIFICATIONS

The circuitry is industry standard CMOS logic and susceptible to ESD damage. Please use industry standard antistatic precautions as you would for any other static sensitive devices such as expansion cards, motherboards, or integrated circuits. Ground your body, work surfaces, and equipment.



## OPTICAL SPECIFICATIONS

Viewing Direction	6 o'clock
-------------------	-----------

### OPTICAL CHARACTERISTICS

ITEM	SYMBOL	CONDITION	MINIMUM	TYPICAL	MAXIMUM
Viewing Angle (6 o'clock) (Vertical, Horizontal)	(V) $\theta$	CR $\geq$ 2	20°		40°
	(H) $\phi$	CR $\geq$ 2	-30°		30°
Contrast Ratio <sup>1</sup>	CR			3	
LCD Response Time <sup>2</sup>	T rise	Ta = 25°C		150 ms	200 ms
	T fall	Ta = 25°C		150 ms	200 ms

<sup>1</sup>Contrast Ratio = (brightness with pixels light)/(brightness with pixels dark).  
<sup>2</sup>Response Time: The amount of time it takes a liquid crystal cell to go from active to inactive or back again.

### TEST CONDITIONS AND DEFINITIONS FOR OPTICAL CHARACTERISTICS

We work to continuously improve our products, including backlights that are brighter and last longer. Slight color variations from module to module and batch to batch are normal. If you need modules with consistent color, please ask for a custom order.

- Viewing Angle
  - Vertical (V) $\theta$ : 0°
  - Horizontal (H) $\phi$ : 0°
- Frame Frequency: 64 Hz
- Driving Waveform: 1/16 Duty, 1/5 Bias
- Ambient Temperature (Ta): 25°C





## Definition of Operation Voltage (Vop)

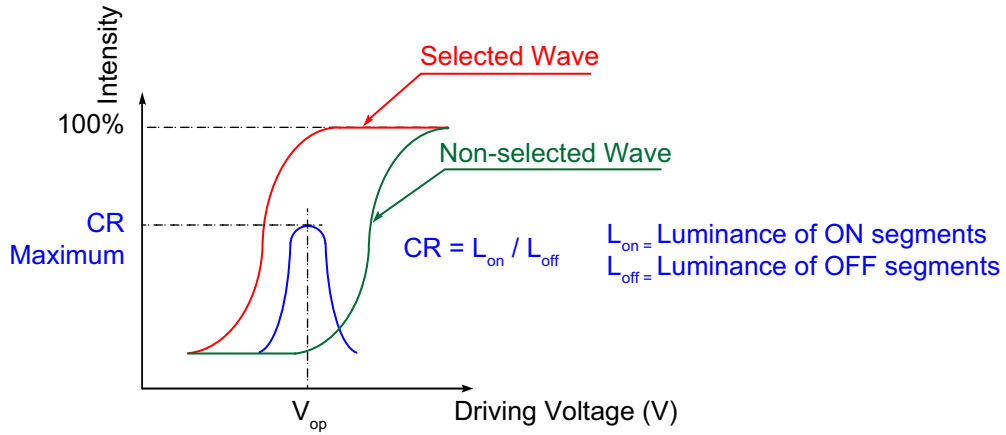


Figure 7. Definition of Operation Voltage ( $V_{OP}$ ) (Negative)

## Definition of Response Time ( $T_r$ , $T_f$ )

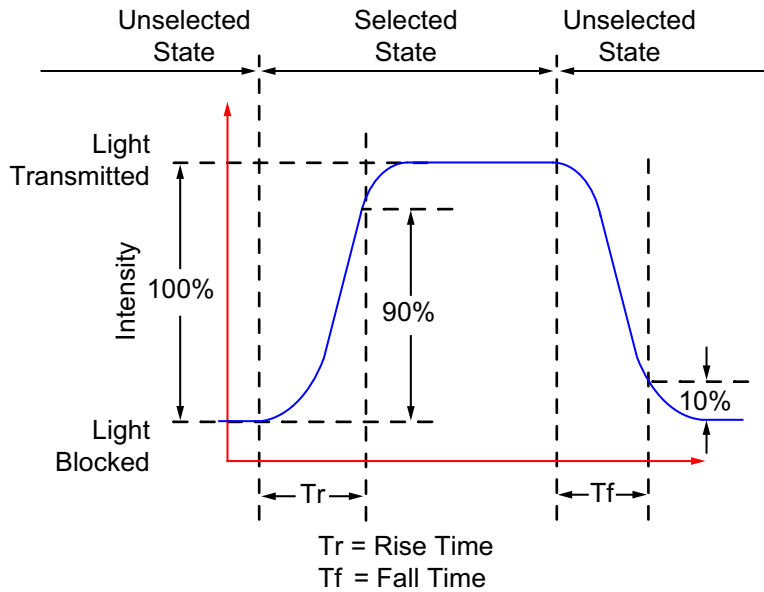


Figure 8. Definition of Response Time ( $T_r$ ,  $T_f$ ) (Negative)



### Definition of Vertical and Horizontal Viewing Angles (CR<sub>≥</sub>2)

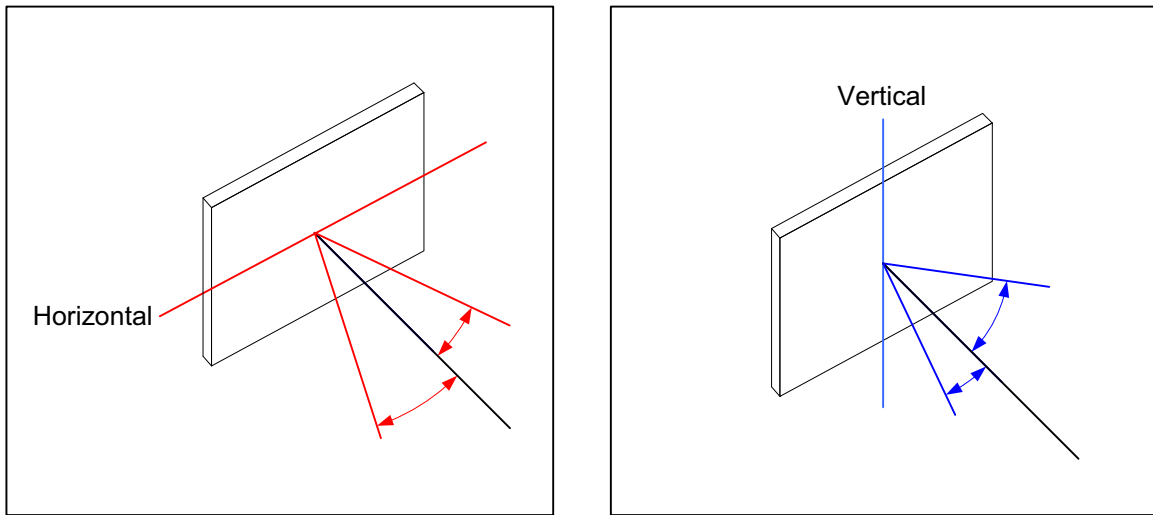


Figure 9. Definition of Horizontal and Vertical Viewing Angles (CR>2)

### Definition of 6 O'Clock and 12:00 O'Clock Viewing Angles

This LCD module has a 6:00 o'clock viewing angle. A 6:00 o'clock viewing angle is a bottom viewing angle like what you would see when you look at a cell phone or calculator. A 12:00 o'clock viewing angle is a top viewing angle like what you would see when you look at the gauges in a golf cart or airplane.

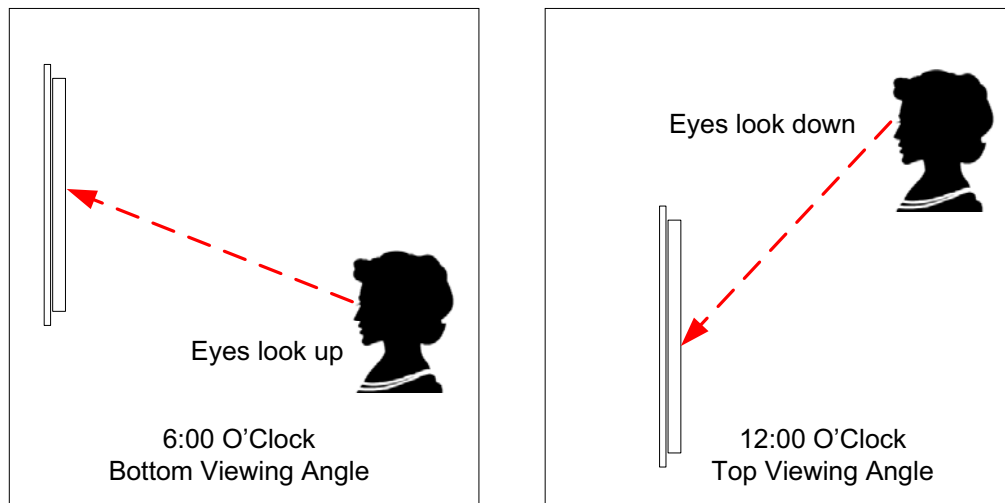


Figure 10. Definition of 6:00 O'Clock and 12:00 O'Clock Viewing Angles



## LED BACKLIGHT

---

LED Backlight Characteristics					
<i>light pixels on blue background</i>					
ITEM	SYMBOL	TEST CONDITION	MINIMUM	TYPICAL	MAXIMUM
Forward Current	$I_{LED}$	V = +5.0v	40 mA	50 mA	75 mA*

*\*Driving the backlight above 75 mA will shorten its lifetime.*

The backlight uses LEDs. The backlight is easy to use properly but it is also easily damaged by abuse.

**NOTE**

Do not connect +5v directly to the backlight terminals. This will ruin the backlight.

**NOTE**

We recommend that the white LED backlight be dimmed or turned off during periods of inactivity to conserve the LEDs' lifetime.

LEDs are "current" devices. The brightness is controlled by the current flowing through it, not the voltage across it. Ideally, a current source would be used to drive the LEDs. A simple current limiting resistor works well in most applications and is much less complex than a current source.

## CONNECTION INFORMATION

---

### OVERVIEW OF CONNECTION INFORMATION

This section describes your choices of methods to connect power and host power sense to the LCD module. The section also describes connections for optional accessories.

The host power supply can power the CFA533-TMI-KL in one of two ways:

1. *Standard*: This is the basic method to supply power to the module ("non-ATX").
2. *ATX*: This method supplies power to the module and has power on, power off, and reset functionality.

For your convenience, here are links to the connection descriptions:



Standard (+5v) Power Supply Connection (Pg. 28)

- [1. Standard \(+5v\) Connection through J\\_PWR Connector \(Pg. 29\)](#)
- [2. Standard \(+5v\) Connection through J8 Connector \(Pg. 30\)](#)
- [3. Standard \(+5v\) Connection through J\\_RS232 Connector \(Pg. 31\)](#)

ATX Power Supply and Control Connection for Host Power Sense (Pg. 31)

- [1. ATX Host Power Sense through +5v on J\\_PWR Connector \(Pg. 32\)](#)
- [2. ATX Host Power Sense through GPIO\[1\] on J8 Connector \(Pg. 34\)](#)

[ATX Keypad Control \(Pg. 36\)](#)

[Data Communications: Details for RS232 Connections \(Pg. 36\)](#)

[GPIO Connections \(Pg. 37\)](#)

[Dallas Semiconductor 1-Wire Device Connections for Optional Accessories \(Pg. 38\)](#)

- [Temperature Sensors \(Pg. 38\)](#)
- [Other 1-Wire Devices \(Pg. 39\)](#)

In the sections listed above, we describe which jumpers, if any, must be opened or closed for the different connection methods. A helpful reference is [Jumper Locations and Functions \(Pg. 17\)](#). The table lists the open/close defaults for all jumpers.

## STANDARD (+5V) POWER SUPPLY CONNECTION

For a standard power connection from your host to the CFA533-TMI-KL, choose one of the three methods described below.

- Standard (+5v) Connection through J\_PWR Connector
- Standard (+5v) Connection through J8 Connector
- Standard (+5v) Connection through J\_RS232 Connector



## 1. Standard (+5v) Connection through J\_PWR Connector

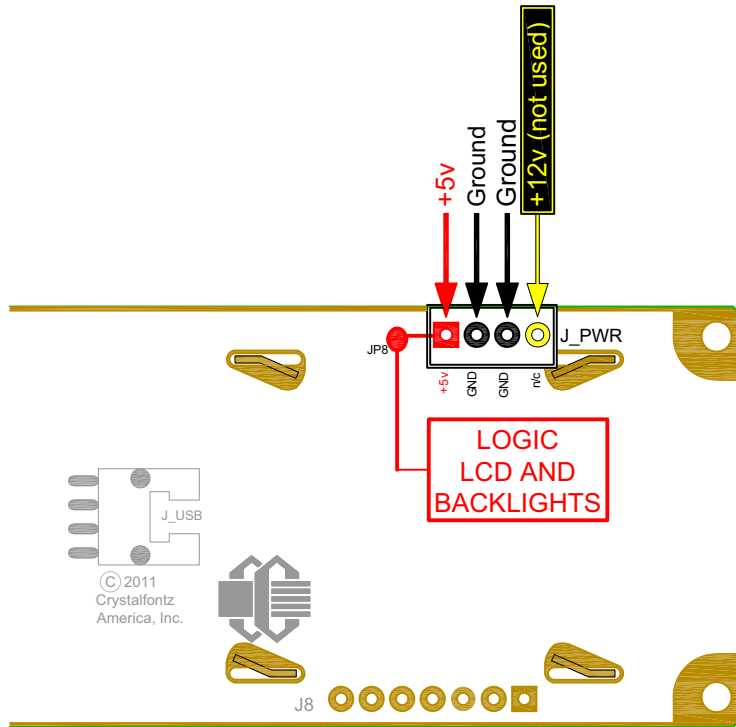


Figure 11. Standard (+5v) Connection through J\_PWR

1. JP8 is closed by default. Leave JP8 closed so that the J8 connector is electrically connected to J\_PWR.
2. You will need to supply +5v to pin 1 and Ground to pin 2 or 3 on the J\_PWR connector. Use the Crystalfontz cable [WR-PWR-Y12](#) (or equivalent) to connect from the host's 4-pin power supply cable connector to the CFA533-TMI-KL's J\_PWR connector.



## 2. Standard (+5v) Connection through J8 Connector

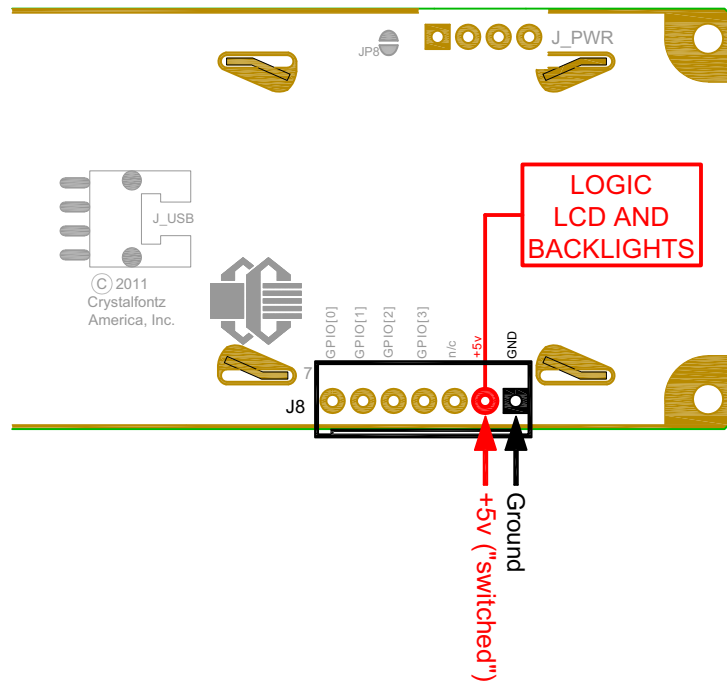


Figure 12. Standard (+5v) Connection through J8

Please see the previous illustration ([Standard \(+5v\) Connection through J\\_PWR \(Pg. 29\)](#)) for this connection method.

1. Open JP8 when powering from the J8 connector. (JP8 is closed by default. JP8 should remain closed only when powering from J\_PWR.)
2. You will need to supply +5v to pin 2 and Ground to pin 1 on the J8 connector.

### Modification by Crystalfontz

Crystalfontz can configure the LCD modules so they will be ready to use in your application without modification. We can open JP8 and load a connector at J8. For information, please contact technical support (+1-888-206-9720 or email [techinfo@crystalfontz.com](mailto:techinfo@crystalfontz.com)). We will provide you with a semi-custom part number and pricing. A minimum order quantity may apply.



### 3. Standard (+5v) Connection through J\_RS232 Connector

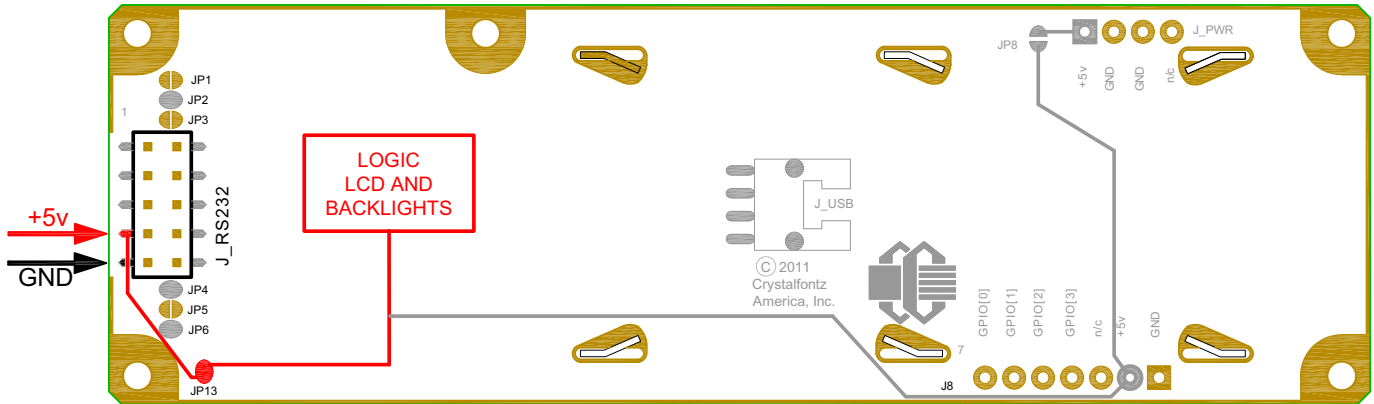


Figure 13. CFA533-TMI-KL Standard (+5v) Connection through J\_RS232 Connector

The +5v power can be supplied through connector J\_RS232, allowing a single cable to contain both power and data connections.

1. Close JP13. (JP13 is open by default.)
2. Open JP8.
3. If the “Default RS-232 Pin Assignments” (see [Figure 17. on Pg. 37](#)) are selected, the five connections needed to operate the LCD module are all on a single column of pins on J\_RS232. You can connect a single 0.1-inch spacing 5-conductor cable to connect between the CFA533-TMI-KL and your host.

#### Modification by Crystalfontz

Crystalfontz can configure the LCD modules so they will be ready to use in your application without modification. We will close JP13 and open JP8. For information, please contact technical support (+1-888-206-9720 or email [techinfo@crystalfontz.com](mailto:techinfo@crystalfontz.com)). We will provide you with a semi-custom part number and pricing. A minimum order quantity may apply.

## ATX POWER SUPPLY AND CONTROL CONNECTION FOR HOST POWER SENSE

### ATX Power Supply Connection

The CFA533-TMI-KL has the ability to control power on/off and reset functions of an ATX power supply.

#### **NOTE**

The GPIO pins used for ATX control must not be configured as user GPIO. If ATX Host Power Sense to LCD module is being used, do not reconfigure the GPIO pins.

For this functionality, the CFA533-TMI-KL is powered from the host's  $V_{SB}$  signal ( $V_{SB}$  is the standby power which is always-on +5v ATX power supply output).



## ATX Control Connections for Host Power Sense through J\_PWR or J8 Connector

For ATX control, choose one of these two connection methods described below.

1. ATX Host Power Sense through +5v on J\_PWR Connector
2. ATX Host Power Sense through GPIO[1] on J8 Connector

### 1. ATX Host Power Sense through +5v on J\_PWR Connector

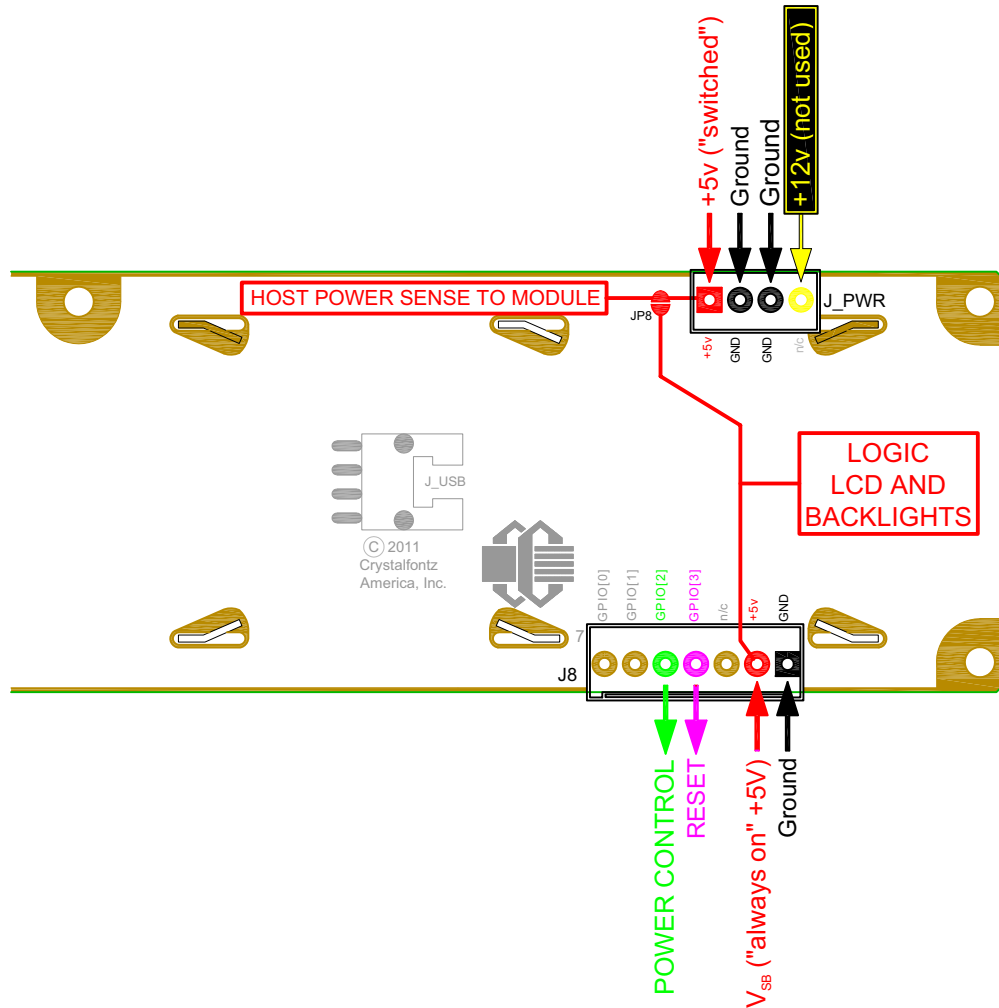


Figure 14. ATX Host Power Sense through +5v on J\_PWR Connector

By default, the pin labeled +5v on the CFA533-TMI-KL's J\_PWR connector is electrically connected to the +5v pin on the J8 connector through the normally closed JP8. If you want to use the CFA533-TMI-KL to do ATX power supply control, open jumper JP8. This will disconnect the +5v pin of the J\_PWR connector from the +5v of the J8 connector. The +5v pin of the J\_PWR connector will then function as the "Host Power Sense". The +5v pin of the J8 connector will function as  $V_{SB}$  power to the LCD module.

The motherboard's power switch input is connected to Pin 5 of the CFA533-TMI-KL's connector J8 (labeled as GPIO[2]). This pin functions as POWER CONTROL. The POWER CONTROL pin is configured as a high-impedance input until the LCD module wants to turn the host on or off, then it will change momentarily to low impedance output, driving either low or high depending on the setting of POWER\_INVERT. (See command [28 \(0x1C\): Set ATX Switch Functionality \(Pg. 54\)](#).)





The motherboard's reset switch input is connected to Pin 4 of the CFA533-TMI-KL connector J8 (labeled as GPIO[3]). This pin functions as RESET. The RESET pin is configured as a high-impedance input until the LCD module wants to reset the host. Then it will change momentarily to low impedance output, driving either low or high.

The optional Crystalfontz [WR-PWR-Y14](#) cable simplifies ATX power supply control connections. JP8 from connector J\_PWR is closed by default. When using this cable, open jumper JP8 in order to ensure correct operation.

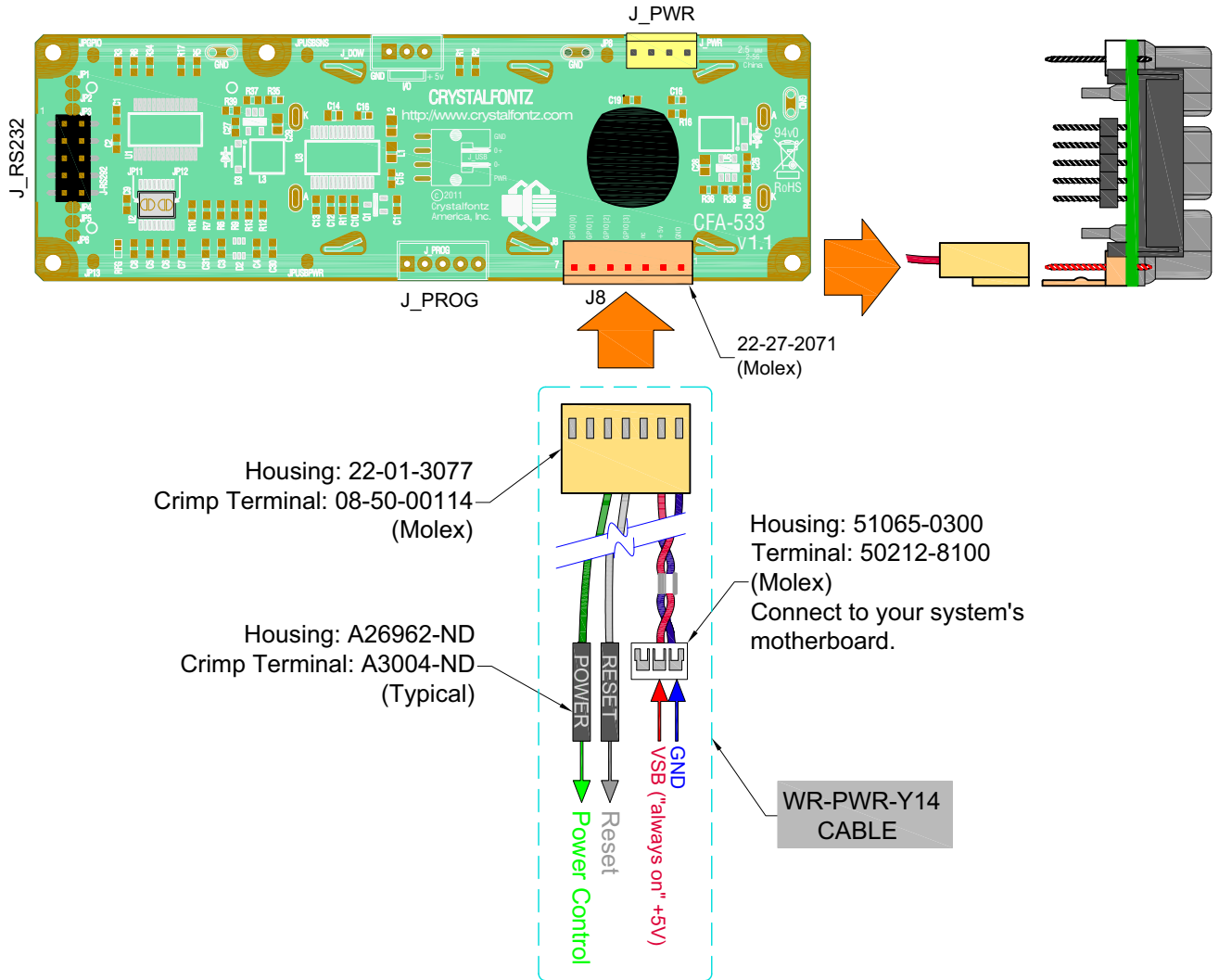


Figure 15. ATX Power Supply and Control Using Crystalfontz WR-PWR-Y14 Cable



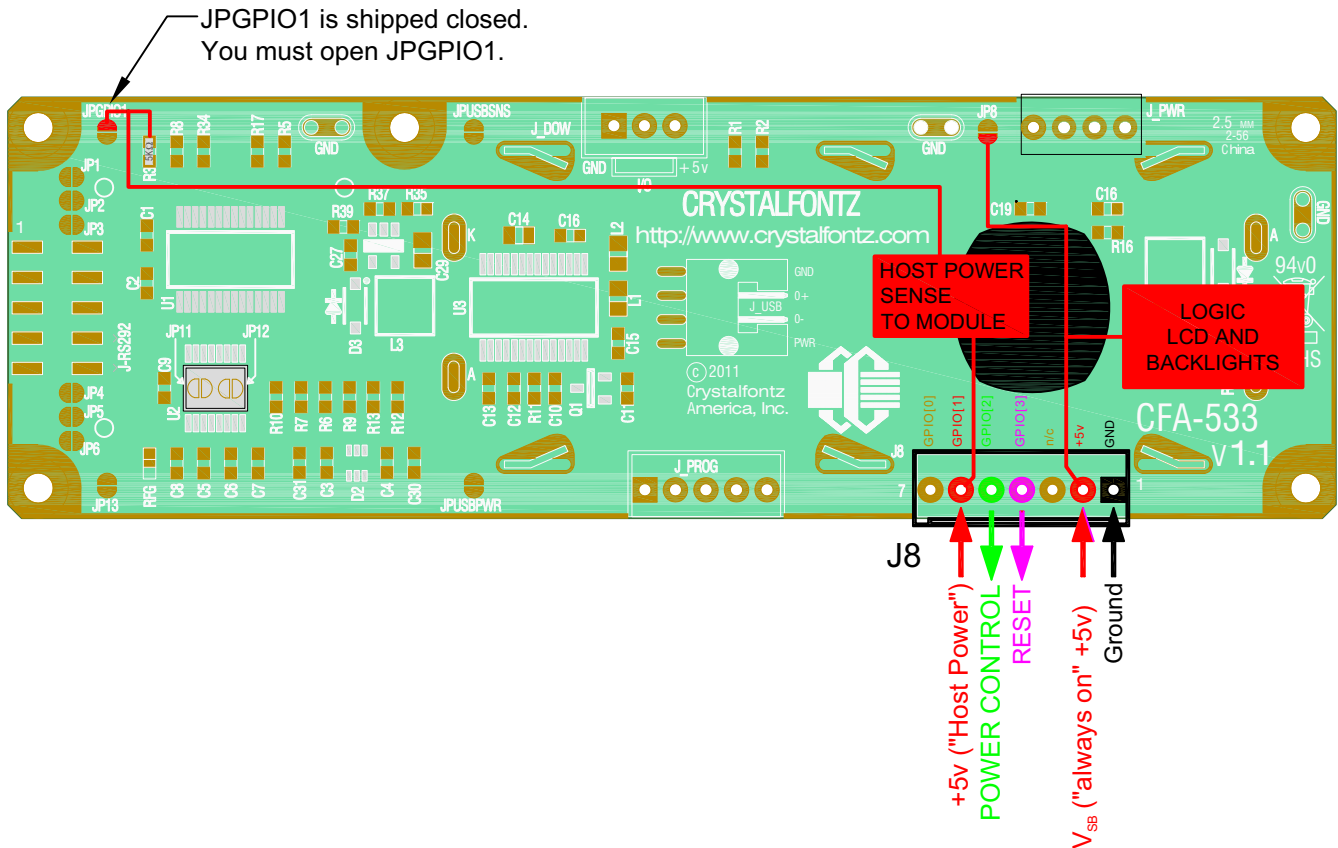
**NOTE**

If the Crystalfontz [WR-PWR-Y14](#) cable is ordered at the same time as the LCD module, Crystalfontz will install the [WR-PWR-Y14](#) connector, open jumper JP8 and send the following software configuration commands (unless we are otherwise instructed).

```

command = 28 // Set ATX Switch Functionality
length = 3
data[0] = 241 // Enable:
                // KEYPAD_POWER_OFF
                // KEYPAD_POWER_ON
                // KEYPAD_RESET
                // LCD_OFF_IF_HOST_IS_OFF
                // AUTO_POLARITY
data[1] = 16 // One half second power pulses
data[2] = 0 // sense ATX host power state on P0.7 (J_PWR, +5v)
command = 4 // Store current state as boot state
length = 0
  
```

**2. ATX Host Power Sense through GPIO[1] on J8 Connector**





The CFA533-TMI-KL can be configured to sense host power through GPIO[1] on connector J8. In addition to +5<sub>VSB</sub>, Ground, Power Control (GPIO[2]), and Reset Control (GPIO[3]) connections, you will need to supply connection to the host's +5v power to GPIO[1]. JP8 is closed by default. To properly function, JP8 must be opened.

The POWER-ON SENSE can be provided through Pin 6 of J8 (GPIO[1]). This option is only provided to allow backwards compatibility for legacy CFA633 applications. R21 is loaded with a 5kΩ 0805 SMT resistor for this functionality. See location of R21 illustration in [Jumper Locations and Functions \(Pg. 17\)](#).

Here is an excerpt from command [28 \(0x1C\): Set ATX Switch Functionality \(Pg. 54\)](#):

#### **NOTE ON COMMAND 28: SET ATX SWITCH FUNCTIONALITY**

The GPIO pins used for ATX control must not be configured as user GPIO. The pins must be configured to their default drive mode in order for the ATX functions to work correctly.

These settings are factory default but may be changed by the user. Please see command [34 \(0x22\): Set/Configure GPIO \(Pg. 58\)](#). These settings must be saved as the boot state.

To ensure that GPIO[1] will operate correctly as ATX SENSE, user GPIO[1] must be configured as:

```
DDD = "011: 1=Resistive Pull Up, 0=Fast, Strong Drive Down".  
F = "0: Port unused for user GPIO."
```

This configuration can be assured by sending the following command:

```
command = 34  
length = 3  
data[0] = 1  
data[1] = 0  
data[2] = 3
```

To ensure that GPIO[2] will operate correctly as ATX POWER, user GPIO[2] must be configured as:

```
DDD = "010: Hi-Z, use for input".  
F = "0: Port unused for user GPIO."
```

This configuration can be assured by sending the following command:

```
command = 34  
length = 3  
data[0] = 2  
data[1] = 0  
data[2] = 2
```

To ensure that GPIO[3] will operate correctly as ATX RESET, user GPIO[3] must be configured as:

```
DDD = "010: Hi-Z, use for input".  
F = "0: Port unused for user GPIO."
```

This configuration can be assured by sending the following command:

```
command = 34  
length = 3  
data[0] = 3  
data[1] = 0  
data[2] = 2
```

These settings must be saved as the boot state.



## ATX Keypad Control

Once configured by the host software (see command [28 \(0x1C\): Set ATX Switch Functionality \(Pg. 54\)](#)), the following functions may be individually enabled:

- **System power on.** If POWER-ON SENSE is low (0th), pressing the green check key (Enter key) for 0.25 seconds will turn the unit on by driving POWER CONTROL line for the pulse width set by command [28 \(0x1C\): Set ATX Switch Functionality \(Pg. 54\)](#) (1.0 seconds default).
- **System hard power off.** If POWER-ON SENSE is high (+5v power,  $V_{DD}$ ) pressing the red X key (Cancel key) for 4 seconds will turn the system off by driving the POWER CONTROL line. The line will be driven for a minimum of the pulse width set by command [28 \(0x1C\): Set ATX Switch Functionality \(Pg. 54\)](#) (1.0 seconds default). If the user continues to press the key, the CFA533-TMI-KL will continue to drive the line for up to an additional 5 seconds.
- **System hard reset.** If POWER-ON SENSE is high (+5v power,  $V_{DD}$ ) pressing the green check key (Enter key) for 4 seconds will reset the system by driving the RESET line for 1 second. The CFA533-TMI-KL will reboot itself immediately after resetting the host.

Since the computer and LCD module must look off if the computer's power is off, the CFA533-TMI-KL can be configured to monitor the POWER-ON SENSE line and blank its display any time the POWER-ON SENSE line is low.

## DATA COMMUNICATIONS: DETAILS FOR RS232 CONNECTIONS

JP2, JP4, and JP6 are closed at the factory, selecting the "Default RS-232 Pin Assignments" (see [Figure 17. on Pg. 37](#)). This connection allows a low-cost ribbon cable (CrystalFontz [WR-232-Y08](#)) to connect the CFA533-TMI-KL to a host's DB-9 COM port.

If you are connecting the CFA533-TMI-KL to a host system (such as a PC motherboard) that has a similar 10-pin 0.1-inch connector, rather than a standard RS-232 DB-9 connector common to rear panels, the pinouts may need to be changed from "Default" to "Alternate".

For an RS-232 connection, you can modify the LCD modules or have CrystalFontz modify them for you.

Choose one of two methods described below to make the connection.

### *Method 1: Use CrystalFontz WR-232-Y22 cable*

The easiest method is to use a CrystalFontz [WR-232-Y22](#) cable. Connect the single end of the [WR-232-Y22](#) cable to the CFA533-TMI-KL. On the double end of the [WR-232-Y22](#) cable, one connector will work for host connections that use "default" numbering; the other end will work for host connections that use the "alternate" numbering.

### *Method 2: Use Straight-through 10-pin to 10-pin ribbon cable*

Use a straight-through 10-pin to 10-pin ribbon cable (for example, CW Industries' [C3AAG-1018G-ND](#) cable available from Digi-Key). The pin order of your motherboard's header will determine if the CFA533-TMI-KL's pin assignments need to be "Default" or "Alternate". Open or close jumpers JP1-JP6 as necessary to set the CFA533-TMI-KL to "Default" or "Alternate" that matches your motherboard.

## Modification by CrystalFontz

We can configure the LCD module for you by opening JP8, loading the mating connector for the CrystalFontz [WR-PWR-Y14](#) cable in J8, and configuring the ATX firmware functions. The modules will be ready to use in your application without modification by you. For information, please contact technical support (+1-888-206-9720, [techinfo@crystalfontz.com](mailto:techinfo@crystalfontz.com)). We will provide you with a semi-custom part number and pricing. A minimum order quantity may apply.



Please note that the CFA533-TMI-KL can be powered through this header. Please refer to [3. Standard \(+5v\) Connection through J\\_RS232 Connector \(Pg. 31\)](#).

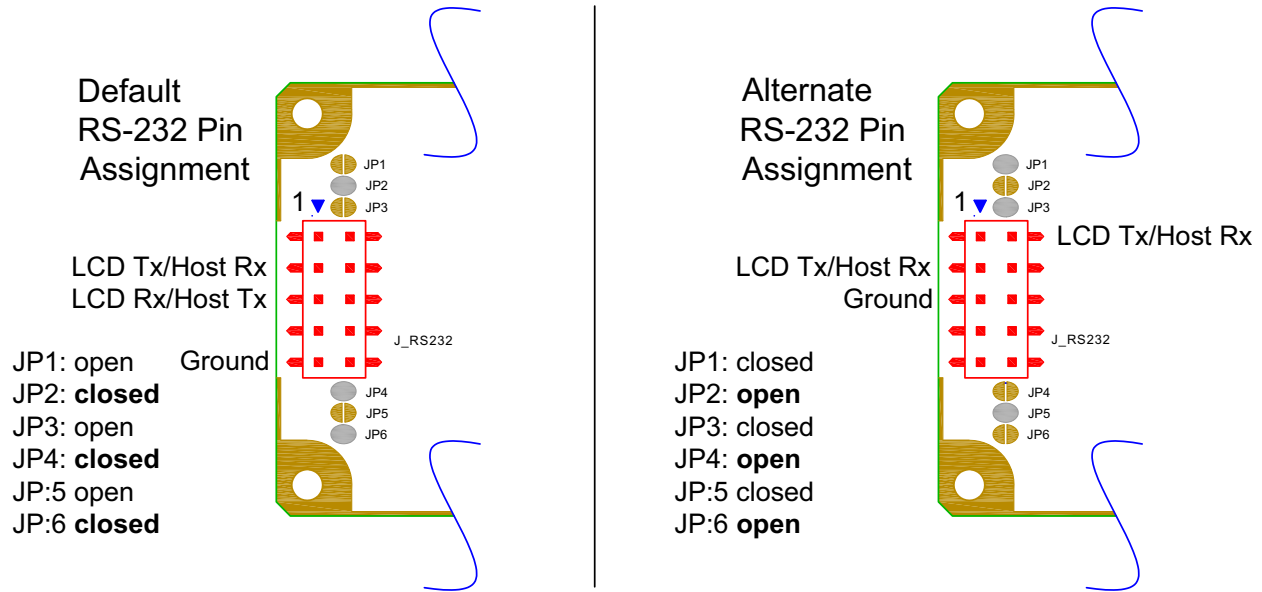


Figure 17. J\_RS232 Default and Alternate Pin Assignments

## GPIO CONNECTIONS

The CFA533-TMI-KL has five General-Purpose Input/Output (GPIO) pins. The GPIO are port pins from the CFA533-TMI-KL's microcontroller brought out to connectors. As an output, a GPIO can be used to turn on an LED, or perhaps drive a relay. As an input, a GPIO can be used to read a switch or a button. Most of the GPIOs have a default function that allows the LCD module to perform some special purpose activity with the pin.

- GPIO[0] = J8, Pin 7
- GPIO[1] = J8, Pin 6 (may be used as ATX Host Power Sense, has R21 in series)
- GPIO[2] = J8, Pin 5 (default is ATX Host Power Control)
- GPIO[3] = J8, Pin 4 (default is ATX Host Reset Control)
- GPIO[4] = J\_DOW, Pin 2 (default is DOW I/O--may have 1 kΩ hardware pull-up: R7)

GPIO[0], GPIO[2] and GPIO[3] are connected directly from the microcontroller port pin to the connector pin.

GPIO[1] has a series 5kΩ resistor in R21.

GPIO[4] is also used as the DOW I/O pin. Since the DOW requires a pull-up on the I/O pin, a 1kΩ resistor in R7 is loaded to pull GPIO[4] to V<sub>DD</sub> (+5v power).



Please refer to commands [34 \(0x22\): Set/Configure GPIO \(Pg. 58\)](#) and [35 \(0x23\): Read GPIO Pin Levels and Configuration State \(Pg. 59\)](#) for additional details concerning the GPIO operation.

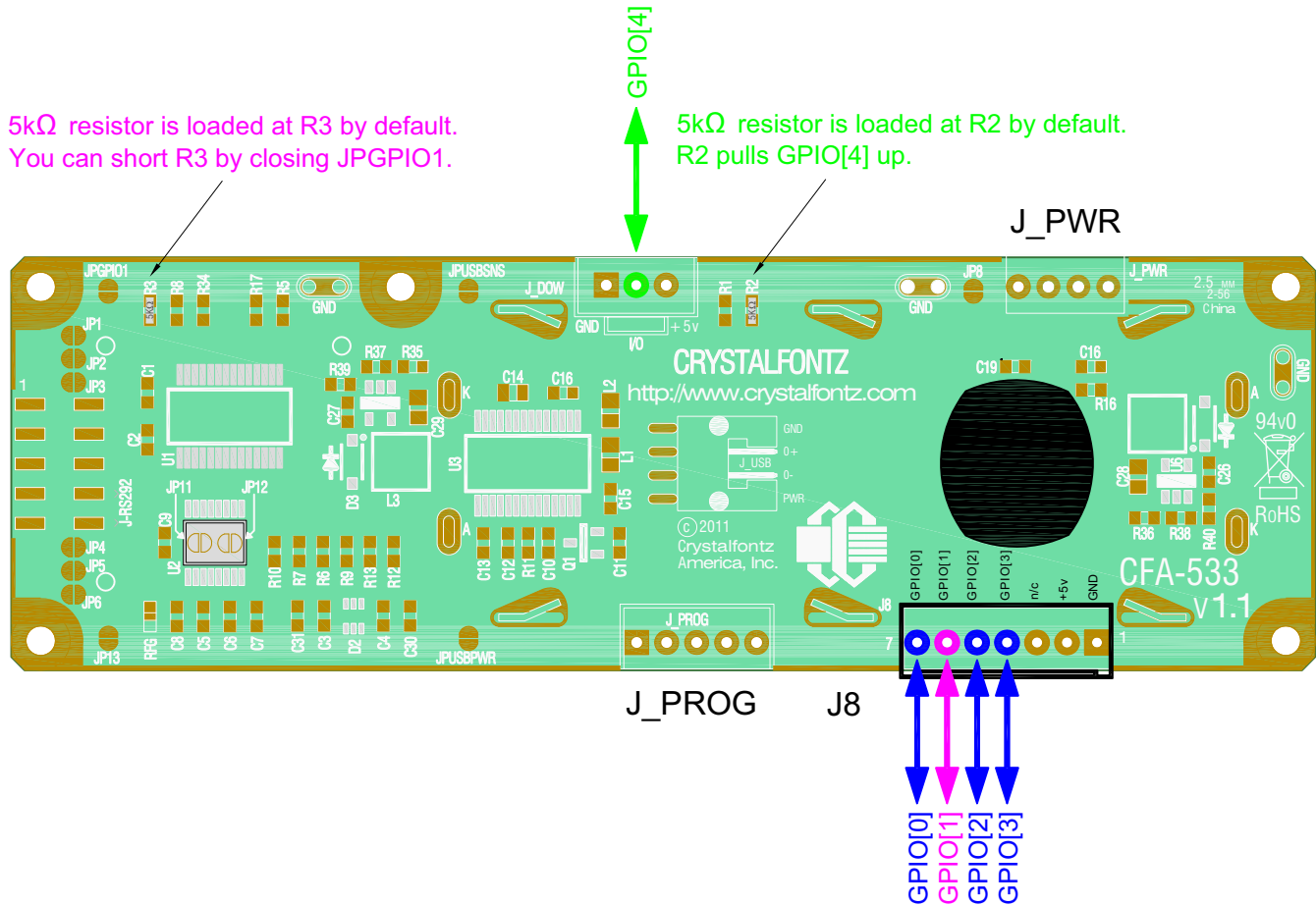


Figure 18. Location of GPIO Connections, Resistors, and J\_DOW

## DALLAS SEMICONDUCTOR 1-WIRE DEVICE CONNECTIONS FOR OPTIONAL ACCESSORIES

### Temperature Sensors

The CFA533-TMI-KL supports Dallas Semiconductor 1-Wire (DOW) temperature sensors. See location of J\_DOW in [Figure 18. on Pg. 38](#). By default, J\_DOW is not loaded with a connector. If you request it, Crystalfontz can load a Molex 70543-0002. For information, please contact technical support (+1-888-206-9720 or email [techinfo@crystalfontz.com](mailto:techinfo@crystalfontz.com)). We will provide you with a semi-custom part number and pricing. A minimum order quantity may apply.

Any combination of up to 32 [DS1822](#) Econo 1-Wire Digital Thermometer (2°C absolute accuracy) or [DS18B20](#) High Precision 1-Wire Digital Thermometer (0.5°C absolute accuracy) temperature sensors or other DOW compatible devices are directly supported.

The Crystalfontz [WR-DOW-Y17](#) has a DS18B20 attached to a “daisy chain” cable. If a [WR-DOW-Y17](#) is ordered at the same time as a CFA533-TMI-KL, Crystalfontz can load the WR-DOW-Y17's mating connector into the CFA533-TMI-KL's



DOW position. For reference, the mating connector for the [WR-DOW-Y17](#) is [Molex 70543-0002](#) available from Digi-Key or other parts suppliers.

The temperature sensor can be configured to be automatically read and displayed on the CFA533-TMI-KL's LCD in °C or °F (see command [21 \(0x15\): Set Up Live Temperature Display \(Pg. 51\)](#)). Independently, any temperature sensor can be configured to report to the host (see [19 \(0x13\): Set Up Temperature Reporting \(Pg. 49\)](#)). The sensors configured to be reported are updated once each second.

## Other 1-Wire Devices

Other [Dallas Semiconductor 1-Wire devices](#) may be connected to the 1-Wire bus, with the CFA533-TMI-KL acting as a bridge between RS-232 and the 1-Wire bus (see command [21 \(0x15\): Set Up Live Temperature Display \(Pg. 51\)](#)). The total number of 1-Wire devices supported is 32, including directly supported temperature sensors and any other user-provided 1-Wire devices. (See CFA533-TMI-KL's DOW connection location in [Figure 18. on Pg. 38.](#)) The LCD module can send up to 15 bytes and receive up to 14 bytes. This will be sufficient for many devices but some devices require larger transactions and cannot be fully used with the module.

The CFA533-TMI-KL has a 1kΩ hardware pull-up on the DOW connector's I/O line.

Connect the 1-Wire sensors as detailed in the sensor's data sheet.

# HOST COMMUNICATIONS

---

### NOTE

Because there is no difference in communications and commands for I<sup>2</sup>C variants (part numbers ending in "-KC"), serial variants (part numbers ending in "-KL" or "-KS") and USB variants (part numbers ending in "-KU") of the CFA533, the Host Communications section of this Data Sheet uses the shorter term "CFA533" instead of "CFA533-TMI-KL".

The CFA533 series (includes CFA533-TMI-KL) communicates with its host using an RS-232 interface. The port settings are 19200 baud, 8 data bits, no parity, 1 stop bit by factory default. The speed can be set to 115200 baud under software control (see command [33 \(0x21\): Set Baud Rate \(Pg. 57\)](#)).

## PACKET STRUCTURE

All communication between the CFA533 and the host takes place in the form of a simple and robust CRC checked packet. The packet format allows for very reliable communications between the CFA533 and the host without the traditional problems that occur in a stream-based serial communication (such as having to send data in inefficient ASCII format, to "escape" certain "control characters", or losing sync if a character is corrupted, missing, or inserted).

### NOTE

Reconciling packets is recommended rather than using delays when communicating with the LCD module. To reconcile your packets, please ensure that you have received the acknowledgement packet from the packet most recently sent before sending any additional packets to the LCD module. This practice will guarantee that you will not have any dropped packets or missed communication with the LCD module.







The CFA533 can be configured to send several types of report packets along with regular acknowledge packets. The host should be able to buffer several incoming packets and must guarantee that it can process and remove packets from its input buffer faster than the packets can arrive given the baud rate and the reporting configuration of the CFA533. For any modern PC using reasonably efficient software, this requirement will not pose a challenge.

The report packets are sent asynchronously with respect to the command packets received from the host. The host should not assume that the first packet received after it sends a command is the acknowledge packet for that command. The host should inspect the `type` field of incoming packets and process them accordingly.

## REPORT CODES

The CFA533 can be configured to report two items. The CFA533 sends reports automatically when the data becomes available. Reports are not sent in response to a particular packet received from the host. The two report types are:

### 0x80: Key Activity

If a key is pressed or released, the CFA533 sends a Key Activity report packet to the host. Key event reporting may be individually enabled or disabled by command [23 \(0x17\): Configure Key Reporting \(Pg. 52\)](#).

```
type: 0x80
data_length: 1
data[0] is the type of keyboard activity:
    KEY_UP_PRESS           1
    KEY_DOWN_PRESS        2
    KEY_LEFT_PRESS        3
    KEY_RIGHT_PRESS       4
    KEY_ENTER_PRESS       5
    KEY_EXIT_PRESS        6
    KEY_UP_RELEASE        7
    KEY_DOWN_RELEASE      8
    KEY_LEFT_RELEASE      9
    KEY_RIGHT_RELEASE     10
    KEY_ENTER_RELEASE     11
    KEY_EXIT_RELEASE      12
```

These codes are identical to the codes returned by the [CFA633](#), [CFA635](#), and [XES635](#). Please note that the [CFA631](#) will return codes 13 through 20. (See the [CFA631](#) Data Sheet on our website for more details).

### 0x81: (reserved)

### 0x82: Temperature Sensor Report

If any of the up to 32 temperature sensors is configured to report to the host, the CFA533 will send Temperature Sensor Reports for each selected sensor every second. See the command [19 \(0x13\): Set Up Temperature Reporting \(Pg. 49\)](#) below.

```
type: 0x82
data_length: 4
data[0] is the index of the temperature sensor being reported:
    0 = temperature sensor 1
    1 = temperature sensor 2
    . . .
    31 = temperature sensor 32
data[1] is the LSB of Temperature_Sensor_Counts
data[2] is the MSB of Temperature_Sensor_Counts
data[3] is DOW_crc_status
```



The following C function will decode the Temperature Sensor Report packet into °C and °F:

```
void OnReceivedTempReport(COMMAND_PACKET *packet, char *output)
{
    //First check the DOW CRC return code from the CFA533
    if(packet->data[3]==0)
        strcpy(output, "BAD CRC");
    else
    {
        double
            degc;
        degc=(*(short *)&(packet->data[1]))/16.0;

        double
            degf;
        degf=(degc*9.0)/5.0+32.0;

        sprintf(output, "%9.4f°C =%9.4f°F",
                degc,
                degf);
    }
}
```

## COMMAND CODES

Below is a list of valid commands for the CFA533. Each command packet is answered by either a response packet or an error packet. The low 6 bits of the `type` field of the response or error packet is the same as the low 6 bits of the `type` field of the command packet being acknowledged.

### 0 (0x00): Ping Command

The CFA533 will return the Ping Command to the host.

```
type: 0x00 = 010
valid data_length is 0 to 16
data[0-(data_length-1)] can be filled with any arbitrary data
```

The return packet is identical to the packet sent, except the type will be 0x40 (normal response, Ping Command):

```
type: 0x40 | 0x00 = 0x40 = 6410
data_length: (identical to received packet)
data[0-(data_length-1)] = (identical to received packet)
```

### 1 (0x01): Get Hardware & Firmware Version

The CFA533 will return the hardware and firmware version information to the host.

```
type: 0x01 = 110
valid data_length is 0
```

The return packet will be:

```
type: 0x40 | 0x01 = 0x41 = 6510
data_length: 16
data[] = "CFA533:XhX,YsY"
```

XhX is the hardware revision, "1h1" for example  
YsY is the firmware version, "1s1" for example

Note: Hardware version v1.1 is printed on back of the PCB.



## 2 (0x02): Write User Flash Area

The CFA533 reserves 16 bytes of nonvolatile memory for arbitrary use by the host. This memory can be used to store data such as a serial number, IP address, gateway address, netmask, or any other data required. All 16 bytes must be supplied.

```
type: 0x02 = 210  
valid data length is 16  
data[] = 16 bytes of arbitrary user data to be stored in the CFA533's non-volatile memory
```

The return packet will be:

```
type: 0x40 | 0x02 = 0x42 = 6610  
data_length: 0
```

## 3 (0x03): Read User Flash Area

This command will read the User Flash Area and return the data to the host.

```
type: 0x03 = 310  
valid data_length is 0
```

The return packet will be:

```
type: 0x40 | 0x03 = 0x43 = 6710  
data_length: 16  
data[] = 16 bytes user data recalled from the CFA533's non-volatile memory
```

## 4 (0x04): Store Current State as Boot State

The CFA533 loads its power-up configuration from nonvolatile memory when power is applied. The CFA533 is configured at the factory to display a welcome screen when power is applied. This command can be used to customize the welcome screen, as well as the following items:

- Characters shown on LCD, which are affected by:
  - command [6 \(0x06\): Clear LCD Screen \(Pg. 44\)](#).
  - command [7 \(0x07\): Set LCD Contents, Line 1 \(Pg. 45\)](#).
  - command [8 \(0x08\): Set LCD Contents, Line 2 \(Pg. 45\)](#).
  - command [31 \(0x1F\): Send Data to LCD \(Pg. 57\)](#).
- Special character font definitions (command [9 \(0x09\): Set LCD Special Character Data \(Pg. 46\)](#)).
- Cursor position (command [11 \(0x0B\): Set LCD Cursor Position \(Pg. 46\)](#)).
- Cursor style (command [12 \(0x0C\): Set LCD Cursor Style \(Pg. 47\)](#)).
- Contrast setting (command [13 \(0x0D\): Set LCD Contrast \(Pg. 47\)](#)).
- LCD backlight setting (command [14 \(0x0E\): Set LCD & Keypad Backlight \(Pg. 48\)](#)).
- Keypad backlight setting (command [14 \(0x0E\): Set LCD & Keypad Backlight \(Pg. 48\)](#)).
- Settings of any live displays (command [21 \(0x15\): Set Up Live Temperature Display \(Pg. 51\)](#)).
- Key press and release masks (command [23 \(0x17\): Configure Key Reporting \(Pg. 52\)](#)).
- ATX function enable and pulse length settings (command [28 \(0x1C\): Set ATX Switch Functionality \(Pg. 54\)](#)).
- Baud rate (command [33 \(0x21\): Set Baud Rate \(Pg. 57\)](#)).
- GPIO settings (command [34 \(0x22\): Set/Configure GPIO \(Pg. 58\)](#)).

You cannot store the temperature reporting (although the live display of temperatures can be saved). You cannot store the host watchdog. The host software should enable this item once the system is initialized and it is ready to receive the data.

```
type: 0x04 = 410  
valid data_length is 0
```



The return packet will be:

```
type: 0x40 | 0x04 = 0x44 = 6810  
data_length: 0
```

## 5 (0x05): Reboot CFA533, Reset Host, or Power Off Host

This command instructs the CFA533 to simulate a power-on restart of itself, reset the host, or turn the host's power off. The ability to reset the host may be useful to allow certain host operating system configuration changes to complete. The ability to turn the host's power off under software control may be useful in systems that do not have ACPI compatible BIOS.

### NOTE

The GPIO pins used for ATX control must not be configured as user GPIO, and must be configured to their default drive mode in order for the ATX functions to work correctly. These settings are factory default, but may be changed by the user. Please see command [34 \(0x22\): Set/Configure GPIO \(Pg. 58\)](#).

Rebooting the CFA533 may be useful when testing the boot configuration. It may also be useful to re-enumerate the devices on the 1-Wire bus. To reboot the CFA533, send the following packet:

```
type: 0x05 = 510  
valid data_length is 3  
data[0] = 8  
data[1] = 18  
data[2] = 99
```

To reset the host, assuming the host's reset line is connected to GPIO[3] as described in command [28 \(0x1C\): Set ATX Switch Functionality \(Pg. 54\)](#), send the following packet:

```
type: 0x05 = 510  
valid data_length is 3  
data[0] = 12  
data[1] = 28  
data[2] = 97
```

To turn the host's power off, assuming the host's power control line is connected to GPIO[2] as described in command [28 \(0x1C\): Set ATX Switch Functionality \(Pg. 54\)](#), send the following packet:

```
type: 0x05 = 510  
valid data_length is 3  
data[0] = 3  
data[1] = 11  
data[2] = 95
```

In any of the above cases, the return packet will be:

```
type: 0x40 | 0x05 = 0x45 = 6910  
data_length: 0
```

## 6 (0x06): Clear LCD Screen

Sets the contents of the LCD screen DDRAM to ' ' = 0x20 = 32<sub>10</sub> and moves the cursor to the left-most column of the top line.

```
type: 0x06 = 610  
valid data_length is 0
```



The return packet will be:

```
type: 0x40 | 0x06 = 0x46 = 7010  
data_length: 0
```

Clear LCD Screen changes the LCD. The LCD contents is one of the items stored by the command [4 \(0x04\): Store Current State as Boot State \(Pg. 43\)](#).

## 7 (0x07): Set LCD Contents, Line 1

Sets the center 16 characters displayed for the top line of LCD screen.

### **NOTE**

Please use this command only if you need backwards compatibility with older [CFA633](#) units. For new applications, please use the more flexible command [31 \(0x1F\): Send Data to LCD \(Pg. 57\)](#) which is also supported by the [CFA631](#) and [CFA635](#).

```
type: 0x7 = 710  
valid data_length is 16  
data[] = top line's display content (must supply 16 bytes)
```

The return packet will be:

```
type: 0x40 | 0x07 = 0x47 = 7110  
data_length: 0
```

Set LCD Contents, Line 1 is one of the items stored by the command [4 \(0x04\): Store Current State as Boot State \(Pg. 43\)](#).

## 8 (0x08): Set LCD Contents, Line 2

Sets the center 16 characters displayed for the bottom line of LCD screen.

### **NOTE**

Please use this command only if you need backwards compatibility with older [CFA633](#) units. For new applications, please use the more flexible command [31 \(0x1F\): Send Data to LCD \(Pg. 57\)](#) which is also supported by the [CFA631](#) and [CFA635](#).

```
type: 0x08 = 810  
valid data_length is 16  
data[] = bottom line's display content (must supply 16 bytes)
```

The return packet will be:

```
type: 0x40 | 0x08 = 0x48 = 7210  
data_length: 0
```

Set LCD Contents, Line 2 is one of the items stored by the command [4 \(0x04\): Store Current State as Boot State \(Pg. 43\)](#).



## 9 (0x09): Set LCD Special Character Data

Sets the font definition for one of the special characters (CGRAM).

```
type: 0x09 = 910  
valid data_length is 9  
data[0] = index of special character that you would like to modify, 0-7 are valid  
data[1-8] = bitmap of the new font for this character
```

data [1-8] are the bitmap information for this character. Any value is valid between 0 and 63, the msb is at the left of the character cell of the row, and the lsb is at the right of the character cell. data [1] is at the top of the cell, data [8] is at the bottom of the cell.

The return packet will be:

```
type: 0x40 | 0x09 = 0x49 = 7310  
data_length: 0
```

Set LCD Special Character Data is one of the items stored by the command [4 \(0x04\): Store Current State as Boot State \(Pg. 43\)](#).

## 10 (0x0A): Read 8 Bytes of LCD Memory

This command will return the contents of the LCD's DDRAM or CGRAM. This command is intended for debugging.

```
type: 0x0A = 1010  
valid data_length is 1  
data[0] = address code of desired data
```

data [0] is the address code native to the LCD controller:

```
0x40 (\064) to 0x7F (\127) for CGRAM  
0x80 (\128) to 0x8F (\143) for DDRAM, line 1  
0xC0 (\192) to 0xCF (\207) for DDRAM, line 2
```

The return packet will be:

```
type: 0x40 | 0x0A = 0x4A = 7410  
data_length: 9
```

data [0] of the return packet will be the address code.

data [1-8] of the return packet will be the data read from the LCD controller's memory.

## 11 (0x0B): Set LCD Cursor Position

This command allows the cursor to be placed at the desired location on the CFA533's LCD screen. If you want the cursor to be visible, you may also need to send a command [12 \(0x0C\): Set LCD Cursor Style \(Pg. 47\)](#).

```
type: 0x0B = 1110  
valid data_length is 2  
data[0] = column (0-15 valid)  
data[1] = row (0-1 valid)
```

The return packet will be:

```
type: 0x40 | 0x0B = 0x4B = 7510  
data_length: 0
```

Set LCD Cursor Position is one of the items stored by the command [4 \(0x04\): Store Current State as Boot State \(Pg. 43\)](#).



## 12 (0x0C): Set LCD Cursor Style

This command allows you to select among four hardware generated cursor options.

```
type: 0x0C = 1210
valid data_length is 1
data[0]: cursor style (0-3 valid)
    0 = no cursor
    1 = blinking block cursor
    2 = underscore cursor
    3 = blinking underscore (Note: This behavior is not the same as the CFA633 series
        which is: blinking block plus underscore.
```

The return packet will be:

```
type: 0x40 | 0x0C = 0x4C = 7610
data_length: 0
```

Set LCD Cursor Style is one of the items stored by the command [4 \(0x04\): Store Current State as Boot State \(Pg. 43\)](#).

## 13 (0x0D): Set LCD Contrast

This command sets the contrast or vertical viewing angle of the display. (Initiated by the host, responded to by the CFA533.)

- [CFA633](#) Compatible

If only one byte of data is supplied, then it is the “[CFA633](#) Compatible” version of the command. Requires 1 byte (0-200) are valid, but only (0-50) are useful for this LCD.

```
type: 0x0D = 1310
valid data_length is 1
data[0]: contrast setting (0-50 valid)
    0 = light
    16 = about right
    29 = dark
    30-50 = very dark
```

The return packet will be:

```
type: 0x40 | 0x0D = 0x4D = 7710
data_length: 0
```

- CFA533 Enhanced

If two bytes of data are supplied, then the command takes advantage of the CFA533s native enhanced contrast resolution. Requires 2 bytes.

- The first byte data[0] is ignored, any value from 0 to 255 is accepted.
- The second byte data[1] controls the CFA533 contrast with better resolution.

```
type: 0x0D = 1310
valid data_length is 1
data[0]: required but ignored
data[1]: contrast setting (0-200 valid)
    0-99 = lighter
    100 = no correction
    101-200 = darker
```

The return packet will be:

```
type: 0x40 | 0x0D = 0x4D = 7710
data_length: 0
```



Set LCD Contrast is one of the items stored by the command [4 \(0x04\): Store Current State as Boot State \(Pg. 43\)](#).

## 14 (0x0E): Set LCD & Keypad Backlight

This command sets the brightness of the LCD and keypad backlights. (Initiated by the host, responded to by the CFA533.)

- If one byte is supplied, both the keypad and LCD backlights are set to that brightness ([CFA633](#) compatible).

```
type: 0x0E = 1410
valid data_length is 1
data[0]: keypad and LCD backlight power setting (0-100 valid)
        0 = off
        1-100 = variable brightness
```

The return packet will be:

```
type: 0x40 | 0x0E = 0x4E = 7810
data_length: 0
```

- If two bytes are supplied, the LCD is set to the brightness of the first byte, the keypad is set to the brightness of the second byte.

```
type: 0x0E = 1410
valid data_length is 2
data[0]: LCD backlight power setting (0-100 valid)
        0 = off
        1-100 = variable brightness

data[1]: keypad backlight power setting (0-100 valid)
        0 = off
        1-100 = variable brightness
```

The return packet will be:

```
type: 0x40 | 0x0E = 0x4E = 7810
data_length: 0
```

Set LCD & Keypad Backlight is one of the items stored by the command [4 \(0x04\): Store Current State as Boot State \(Pg. 43\)](#).

## 15-17 (0x0F-0x11): (reserved)

## 18 (0x12): Read DOW Device Information

When power is applied to the CFA533, it detects any devices connected to the Dallas Semiconductor 1-Wire (DOW) bus and stores the device's information. This command will allow the host to read the device's information.





The first byte returned is the "family code" of the Dallas 1-Wire / iButton device. There is a list of the possible Dallas 1-Wire / iButton device family codes available in [App Note 155: 1-Wire Software Resource Guide](#) on the Maxim/Dallas website.

#### **NOTE ON COMMAND 18: READ DOW DEVICE INFORMATION**

The GPIO pin used for DOW must not be configured as user GPIO. It must be configured to its default drive mode in order for the DOW functions to work correctly.

These settings are factory default but may be changed by the user. Please see command [34 \(0x22\): Set/Configure GPIO \(Pg. 58\)](#).

In order for the DOW subsystem to be enabled and operate correctly, user GPIO[4] must be configured as:

```
DDD = "111: 1=Hi-Z, 0=Slow, Strong Drive Down".  
F = "0: Port unused for user GPIO."
```

This state is the factory default, but it can be changed and saved by the user. To ensure that GPIO[4] is set correctly and the DOW operation is enabled, send the following command:

```
command = 34  
length = 3  
data[0] = 4  
data[1] = 100  
data[2] = 7
```

This setting must be saved as the boot state, so when the CFA533 reboots it will detect the DOW devices.

```
type: 0x12 = 1810  
valid data_length is 1  
data[0] = device index (0-31 valid)
```

The return packet will be:

```
type: 0x40 | 0x12 = 0x52 = 8210  
data_length: 9  
data[0] = device index (0-31 valid)  
data[1-8] = ROM ID of the device
```

If data[1] is 0x22 ([DS1822](#) Econo 1-Wire Digital Thermometer temperature sensor) or 0x28 ([DS18B20](#) High Precision 1-Wire Digital Thermometer temperature sensor), then that device can be set up to automatically convert and report the temperature every second. See the command [19 \(0x13\): Set Up Temperature Reporting \(Pg. 49\)](#).

## **19 (0x13): Set Up Temperature Reporting**

This command will configure the CFA533 to report the temperature information to the host every second.



type: 0x13 = 19<sub>10</sub>  
 valid data\_length is 4  
 data[0-3] = 32-bit bitmask indicating which temperature sensors are enabled to report  
 (0-255 valid in each location)

```

data[0]
08 07 06 05 04 03 02 01 Enable Reporting of sensor with
| | | | | | | | device index of:
| | | | | | | | -- 0: 1 = enable, 0 = disable
| | | | | | | | ---- 1: 1 = enable, 0 = disable
| | | | | | | | ----- 2: 1 = enable, 0 = disable
| | | | | | | | ----- 3: 1 = enable, 0 = disable
| | | | | | | | ----- 4: 1 = enable, 0 = disable
| | | | | | | | ----- 5: 1 = enable, 0 = disable
| | | | | | | | ----- 6: 1 = enable, 0 = disable
| | | | | | | | ----- 7: 1 = enable, 0 = disable
  
```

```

data[1]
16 15 14 13 12 11 10 09 Enable Reporting of sensor with
| | | | | | | | device index of:
| | | | | | | | -- 8: 1 = enable, 0 = disable
| | | | | | | | ---- 9: 1 = enable, 0 = disable
| | | | | | | | ----- 10: 1 = enable, 0 = disable
| | | | | | | | ----- 11: 1 = enable, 0 = disable
| | | | | | | | ----- 12: 1 = enable, 0 = disable
| | | | | | | | ----- 13: 1 = enable, 0 = disable
| | | | | | | | ----- 14: 1 = enable, 0 = disable
| | | | | | | | ----- 15: 1 = enable, 0 = disable
  
```

```

data[2]
24 23 22 21 20 19 18 17 Enable Reporting of sensor with
| | | | | | | | device index of:
| | | | | | | | -- 16: 1 = enable, 0 = disable
| | | | | | | | ---- 17: 1 = enable, 0 = disable
| | | | | | | | ----- 18: 1 = enable, 0 = disable
| | | | | | | | ----- 19: 1 = enable, 0 = disable
| | | | | | | | ----- 20: 1 = enable, 0 = disable
| | | | | | | | ----- 21: 1 = enable, 0 = disable
| | | | | | | | ----- 22: 1 = enable, 0 = disable
| | | | | | | | ----- 23: 1 = enable, 0 = disable
  
```

```

data[3]
32 31 30 29 28 27 26 25 Enable Reporting of sensor with
| | | | | | | | device index of:
| | | | | | | | -- 24: 1 = enable, 0 = disable
| | | | | | | | ---- 25: 1 = enable, 0 = disable
| | | | | | | | ----- 26: 1 = enable, 0 = disable
| | | | | | | | ----- 27: 1 = enable, 0 = disable
| | | | | | | | ----- 28: 1 = enable, 0 = disable
| | | | | | | | ----- 29: 1 = enable, 0 = disables
| | | | | | | | ----- 30: 1 = enable, 0 = disable
| | | | | | | | ----- 31: 1 = enable, 0 = disable
  
```

Any sensor enabled must have been detected as a 0x22 (DS1822 temperature sensor) or 0x28 (DS18B20 temperature sensor) during DOW enumeration. This can be verified by using the command [18 \(0x12\): Read DOW Device Information \(Pg. 48\)](#).

The return packet will be:

```

type: 0x40 | 0x13 = 0x53 = 8310
data_length: 0
  
```



## 20 (0x14): Arbitrary DOW Transaction

The CFA533 can function as an RS-232 to Dallas 1-Wire bridge. The CFA533 can send up to 15 bytes and receive up to 14 bytes. This will be sufficient for many devices, but some devices require larger transactions and cannot be fully used with the CFA533.

This command allows you to specify arbitrary transactions on the 1-Wire bus. 1-Wire commands follow this basic layout:

```
<bus_reset>           //Required
<address_phase>       //Must be "Match ROM" or "Skip ROM"
<write_phase>         //optional, but at least one of write_phase or read_phase must be sent
<read_phase>          //optional, but at least one of write_phase or read_phase must be sent
```

Please see [APPENDIX C: CONNECTING A DS2450 1-WIRE QUAD A/D CONVERTER \(Pg. 82\)](#) for an example of using this command.

```
type: 0x14 = 2010
valid data_length is 2 to 16
  data[0] = device_index (0-32 valid)
  data[1] = number_of_bytes_to_read (0-14 valid)
data[2-15] = data_to_be_written[data_length-2]
```

If `device_index` is 32, then no address phase will be executed. If `device_index` is in the range of 0 to 31, and a 1-Wire device was detected for that `device_index` at power on, then the write cycle will be prefixed with a "Match ROM" command and the address information for that device.

If `data_length` is two, then no specific write phase will be executed (although address information may be written independently of `data_length` depending on the value of `device_index`).

If `data_length` is greater than two, then `data_length-2` bytes of `data_to_be_written` will be written to the 1-Wire bus immediately after the address phase.

If `number_of_bytes_to_read` is zero, then no read phase will be executed. If `number_of_bytes_to_read` is not zero then `number_of_bytes_to_read` will be read from the bus and loaded into the response packet.

The return packet will be:

```
type: 0x40 | 0x14 = 0x54 = 8410
data_length: 2 to 16
data[0] = device_index (0-31 valid)
data[data_length-2] = Data read from the 1-Wire bus. This is the same as
                    number_of_bytes_to_read from the command.
data[data_length-1] = 1-Wire CRC
```

## 21 (0x15): Set Up Live Temperature Display

You can configure the CFA533 to automatically update a portion of the LCD with a live temperature reading. Once the display is configured using this command, the CFA533 will continue to display the live reading on the LCD without host intervention. The Set Up Live Temperature Display is one of the items stored by command [4 \(0x04\): Store Current State as Boot State \(Pg. 43\)](#), so you can configure the CFA533 to immediately display system temperatures as soon as power is applied.

The live display is based on a concept of display slots. There are 4 slots, and each of the 4 slots may be enabled or disabled independently.

Any slot may be requested to display any data that is available. For instance, slot 0 could display temperature sensor 3 in °C, while slot 1 could simultaneously display temperature sensor 3 in °F.



Any slot may be positioned at any location on the LCD, as long as all the digits of that slot fall fully within the display area. It is legal to have the display area of one slot overlap the display area of another slot, but senseless. This situation should be avoided in order to have meaningful information displayed.

```
type: 0x15 = 2110
valid data_length is 7 or 2 (for turning a slot off)
data[0]: display slot (0-3)
data[1]: type of item to display in this slot
        0 = nothing (data_length then must be 2)
        1 = (invalid)
        2 = temperature (data_length then must be 7)
data[2]: index of the sensor to display in this slot:
        0-31 are valid for temperatures (and the temperature device must be attached)
data[3]: number of digits
        for a temperature: 3 digits (-XX or XXX)
        for a temperature: 5 digits (-XX.X or XXX.X)
data[4]: display column
        0-13 valid for a 3-digit temperature
        0-11 valid for a 5-digit temperature
data[5]: display row (0-1 valid)
data[6]: temperature units (0 = deg C, 1 = deg F)
```

If a 1-Wire CRC error is detected, the temperature will be displayed as "ERR" or "ERROR".

The return packet will be:

```
type: 0x40 | 0x15 = 0x55 = 8510
data_length: 0
```

## 22 (0x16): Send Command Directly to the LCD Controller

The controller on the CFA533 is HD44780 compatible. Generally you won't need low-level access to the LCD controller but some arcane functions of the HD44780 are not exposed by the CFA533's command set. This command allows you to access the CFA533's LCD controller directly. Note: It is possible to corrupt the CFA533 display using this command.

```
type: 0x16 = 2210
data_length: 2
data[0]: location code
        0 = "Data" register
        1 = "Control" register
data[1]: data to write to the selected register
```

The return packet will be:

```
type: 0x40 | 0x16 = 0x56 = 8610
data_length: 0
```

## 23 (0x17): Configure Key Reporting

By default, the CFA533 reports any key event to the host. This command allows the key events to be enabled or disabled on an individual basis. The key events set to report are one of the items stored by the command [4 \(0x04\): Store Current State as Boot State \(Pg. 43\)](#).



```
#define KP_UP      0x01
#define KP_ENTER  0x02
#define KP_CANCEL 0x04
#define KP_LEFT   0x08
#define KP_RIGHT  0x10
#define KP_DOWN   0x20
```

```
type: 0x17 = 2310
data_length: 2
data[0]: press mask
data[1]: release mask
```

The return packet will be:

```
type: 0x40 | 0x17 = 0x57 = 8710
data_length: 0
```

Configure Key Reporting is one of the items stored by the command [4 \(0x04\): Store Current State as Boot State \(Pg. 43\)](#).

## 24 (0x18): Read Keypad, Polled Mode

In some situations, it may be convenient for the host to poll the CFA533 for key activity. This command allows the host to detect which keys are currently pressed, which keys have been pressed since the last poll, and which keys have been released since the last poll.

This command is independent of the key reporting masks set by command [23 \(0x17\): Configure Key Reporting \(Pg. 52\)](#). All keys are always visible to this command. Typically both masks of command 23 would be set to "0" if the host is reading the keypad in polled mode.

```
#define KP_UP      0x01
#define KP_ENTER  0x02
#define KP_CANCEL 0x04
#define KP_LEFT   0x08
#define KP_RIGHT  0x10
#define KP_DOWN   0x20
```

```
type: 0x18 = 2410
data_length: 0
```

The return packet will be:

```
type: 0x40 | 0x18 = 0x58 = 8810
data_length: 3
data[0] = bit mask showing the keys currently pressed
data[1] = bit mask showing the keys that have been pressed since the last poll
data[2] = bit mask showing the keys that have been released since the last poll
```

## 25-27 (0x19-0x1B): (reserved)



## 28 (0x1C): Set ATX Switch Functionality

The combination of the CFA533 with the Crystalfontz [WR-PWR-Y14](#) cable can be used to replace the function of the power and reset switches in a standard ATX-compatible system. The ATX Power Switch Functionality is one of the items stored by the command [4 \(0x04\): Store Current State as Boot State \(Pg. 43\)](#).

### **NOTE ON COMMAND 28: SET ATX SWITCH FUNCTIONALITY**

The GPIO pins used for ATX control must not be configured as user GPIO. The pins must be configured to their default drive mode in order for the ATX functions to work correctly.

These settings are factory default but may be changed by the user. Please see command [34 \(0x22\): Set/Configure GPIO \(Pg. 58\)](#). These settings must be saved as the boot state.

To ensure that GPIO[1] will operate correctly as ATX SENSE, user GPIO[1] must be configured as:

```
DDD = "011: 1=Resistive Pull Up, 0=Fast, Strong Drive Down".  
F = "0: Port unused for user GPIO."
```

This configuration can be assured by sending the following command:

```
command = 34  
length = 3  
data[0] = 1  
data[1] = 0  
data[2] = 3
```

To ensure that GPIO[2] will operate correctly as ATX POWER, user GPIO[2] must be configured as:

```
DDD = "010: Hi-Z, use for input".  
F = "0: Port unused for user GPIO."
```

This configuration can be assured by sending the following command:

```
command = 34  
length = 3  
data[0] = 2  
data[1] = 0  
data[2] = 2
```

To ensure that GPIO[3] will operate correctly as ATX RESET, user GPIO[3] must be configured as:

```
DDD = "010: Hi-Z, use for input".  
F = "0: Port unused for user GPIO."
```

This configuration can be assured by sending the following command:

```
command = 34  
length = 3  
data[0] = 3  
data[1] = 0  
data[2] = 2
```

These settings must be saved as the boot state.

The RESET (GPIO[3]) and POWER CONTROL (GPIO[2]) lines on the CFA533 are normally high-impedance. Electrically, they appear to be disconnected or floating. When the CFA533 asserts the RESET or POWER CONTROL lines, they are momentarily driven high or low (as determined by the AUTO\_POLARITY, RESET\_INVERT or POWER\_INVERT bits, detailed below). To end the power or reset pulse, the CFA533 changes the lines back to high-impedance.



## FOUR FUNCTIONS MAY BE ENABLED BY COMMAND 28

### Function 1: KEYPAD\_RESET

If POWER-ON SENSE (GPIO[1]) is high, holding the green check key for 4 seconds will pulse RESET (GPIO[3]) pin for 1 second. During the 1-second pulse, the CFA533 will show "RESET", and then the CFA533 will reset itself, showing its boot state as if it had just powered on. Once the pulse has finished, the CFA533 will not respond to any commands until after it has reset the host and itself.

### Function 2: KEYPAD\_POWER\_ON

If POWER-ON SENSE (GPIO[1]) is low, pressing the green check key for 0.25 seconds will pulse POWER CONTROL (GPIO[2]) for the duration specified by in data[1] or the default of 1 second. During this time the CFA533 will show "POWER ON", then the CFA533 will reset itself.

### Function 3: KEYPAD\_POWER\_OFF

If POWER-ON SENSE (GPIO[1]) is high, holding the red X key for 4 seconds will pulse POWER CONTROL (GPIO[2]) for the duration specified by in data[1] or the default of 1 second. If the user continues to hold the power key down, then the CFA533 will continue to drive the line for a maximum of 5 additional seconds. During this time the CFA533 will show "POWER OFF".

### Function 4: LCD\_OFF\_IF\_HOST\_IS\_OFF

If LCD\_OFF\_IF\_HOST\_IS\_OFF is set, the CFA533 will blank its screen and turn off its backlight to simulate its power being off any time POWER-ON SENSE is low.

#### **NOTE**

By default there is an internal POWER-ON-SENSE connected to the +5v pin of J\_PWR, selected by setting data[2] to 1. Alternatively, GPIO[1] may be configured to act as POWER-ON-SENSE through R21 of 5K, and specifying data[2] as 0. The CFA533 will still be active (since it is powered by  $V_{SB}$ , standby power which is always-on), monitoring the keypad for a power-on keystroke. Once POWER-ON SENSE goes high, the CFA533 will reboot as if power had just been applied to it.



```
#define AUTO_POLARITY          0x01 //Automatically detects polarity for reset and
                                //power (recommended)
#define RESET_INVERT          0x02 //Reset pin drives high instead of low
#define POWER_INVERT          0x04 //Power pin drives high instead of low
#define LCD_OFF_IF_HOST_IS_OFF 0x10
#define KEYPAD_RESET          0x20
#define KEYPAD_POWER_ON       0x40
#define KEYPAD_POWER_OFF      0x80

type: 0x1C = 2810
data_length: 1, 2 or 3
data[0]: bit mask of enabled functions
data[1]: (optional) length of power on & off pulses in 1/32 second
         1 = 1/32 sec
         2 = 1/16 sec
        16 = 1/2 sec
        254 = pulse length
        255 = pin held until power drops (length of time pin is held in active state)

data[2]: (optional) atx_sense_on_floppy (default setting)
         0: sense ATX host state on P2.1 (J8, pin 6 / GPIO [1] -- R21 must be loaded)
         1: sense ATX host state on P0.7 (JPWR,+5v -- recommended configuration)
```

The return packet will be:

```
type: 0x40 | 0x1C = 0x5C = 9210
data_length: 0
```

## 29 (0x1D): Enable/Feed Host Watchdog Reset

Some high-availability systems use hardware watchdog timers to ensure that a software or hardware failure does not result in an extended system outage. Once the host system has booted, a system monitor program is started. The system monitor program would enable the watchdog timer on the CFA533. If the system monitor program fails to feed the CFA533's watchdog timer, the CFA533 will reset the host system.

### NOTE

The GPIO pins used for ATX control must not be configured as user GPIO. They must be configured to their default drive mode in order for the ATX functions to work correctly. These settings are factory default, but may be changed by the user. Please see the note under command [28 \(0x1C\): Set ATX Switch Functionality \(Pg. 54\)](#) or command [34 \(0x22\): Set/Configure GPIO \(Pg. 58\)](#).

```
type: 0x1D = 2910
data_length: 1
data[0] = enable/timeout
```

If timeout is 0, the watchdog is disabled.

If timeout is 1-255, then this command must be issued again within timeout seconds to feed the watchdog and avoid a watchdog reset.

To turn the watchdog off once it has been enabled, simply set timeout to 0.

If the command is not re-issued within timeout seconds, then the CFA533 will reset the host (see command 28 for details). Since the watchdog is off by default when the CFA533 powers up, the CFA533 will not issue another host reset until the host has once again enabled the watchdog.

The return packet will be:

```
type: 0x40 | 0x1D = 0x5D = 9310
data_length: 0
```





### 30 (0x1E): Read Reporting/ATX/Watchdog (debug)

This command can be used to verify the current items configured to report to the host, as well as some other miscellaneous status information. Please note that the information returned by the CFA533 is not identical to the information returned by other modules.

```
type: 0x1E = 30
data_length: 0
```

The return packet will be:

```
type = 0x40 | 0x1E = 0x5E = 9410
data_length: 15
data[0] = 0 (reserved)
data[1] = temperatures 1-8 reporting status (as set by command 19)
data[2] = temperatures 9-15 reporting status (as set by command 19)
data[3] = temperatures 16-23 reporting status (as set by command 19)
data[4] = temperatures 24-32 reporting status (as set by command 19)
data[5] = key presses (as set by command 23)
data[6] = key releases (as set by command 23)
data[7] = ATX Power Switch Functionality (as set by command 28)
data[8] = current watchdog counter (as set by command 29)
data[9] = User Contrast Adjust (as set by command 13, data\[1\])
data[10] = Key backlight setting (as set by command 14, data\[1\])
data[11] = atx_sense_on_floppy (as set by command 28)
data[12] = 0 (reserved)
data[13] = CFA633-style contrast setting (as set by command 13, data\[0\])
data[14] = LCD backlight setting (as set by command 14, data\[0\])
```

Please Note: Future firmware versions may return fewer or additional bytes.

### 31 (0x1F): Send Data to LCD

This command allows data to be placed at any position on the LCD.

```
type: 0x1F = 3110
data_length: 3 to 18
data[0]: col = x = 0 to 15
data[1]: row = y = 0 to 1
data[2-21]: text to place on the LCD, variable from 1 to 16 characters
```

The return packet will be:

```
type: 0x40 | 0x1F = 0x5F = 9510
data_length: 0
```

Send Data to LCD is one of the items stored by the command [4 \(0x04\): Store Current State as Boot State \(Pg. 43\)](#).

### 32 (0x20): Reserved for [CFA631](#) Key Legends

### 33 (0x21): Set Baud Rate

This command will change the CFA533's baud rate. The CFA533 will send the acknowledge packet for this command and then change its baud rate to the new value. The host should send the baud rate command, wait for a positive acknowledge from the CFA533 at the old baud rate, and then switch itself to the new baud rate. The baud rate must be saved by the command [4 \(0x04\): Store Current State as Boot State \(Pg. 43\)](#) if you want the CFA533 to power up at the new baud rate.

The factory default baud rate is 19200.



```
type: 0x21 = 3310
data_length: 0
data[0]:
  0 = 19200 baud
  1 = 115200 baud
```

The return packet will be:

```
type: 0x40 | 0x21 = 0x61 = 9710
data_length: 0
```

### 34 (0x22): Set/Configure GPIO

The CFA533 has five pins for user-definable general-purpose input / output (GPIO). These pins are shared with the DOW and ATX functions. Be careful when you configure the GPIO if you want to use the ATX or DOW at the same time.

The architecture of the CFA533 allows great flexibility in the configuration of the GPIO pins. They can be set as input or output. They can output constant high or low signals or a variable duty cycle 100 Hz PWM signal. (PWM Pulse Width Modulation is a way to simulate intermediate levels by switching a level between full on and full off. PWM is typically used to control the brightness of LED backlights, relying on the natural averaging done by the human eye.)

In output mode using the PWM (and a suitable current limiting resistor), an LED may be turned on or off and even dimmed under host software control. With suitable external circuitry, the GPIOs can also be used to drive external logic or power transistors.

The CFA533 continuously polls the GPIOs as inputs at 32 Hz. The present level can be queried by the host software at a lower rate. The CFA533 also keeps track of whether there were rising or falling edges since the last host query (subject to the resolution of the 32 Hz sampling). This means that the host is not forced to poll quickly in order to detect short events. The algorithm used by the CFA533 to read the inputs is inherently "bounce-free".

The GPIOs also have "pull-up" and "pull-down" modes. These modes can be useful when using the GPIO as an input connected to a switch since no external pull-up or pull-down resistor is needed. For instance, the GPIO can be set to pull up. Then when a switch connected between the GPIO and ground is open, reading the GPIO will return a "1". When the switch is closed, the input will return a "0".

Pull-up/pull-down resistance values are approximately 5kΩ. Do not exceed current of 25 mA per GPIO.

GPIO[1] may be connected to the host's power in order to sense the host's power on/off state. There is a resistor R21 in series with GPIO[1] to limit the possibility of [latchup](#). To use GPIO[1] as a general-purpose input/output, you may need to change R21 with a resistor suitable for your application. It is loaded with a 5kΩ resistor that is suitable for most applications.

#### **NOTE ON SETTING AND CONFIGURING GPIO PINS**

The GPIO pins may also be used for ATX control through header J8 and temperature sensing through the CFA533's DOW header. By factory default, the GPIO output setting, function, and drive mode are set correctly to enable operation of the ATX and DOW functions. **The GPIO output setting, function, and drive mode must be set to the correct values in order for the ATX and DOW functions to work. Improper use of this command can disable the ATX and DOW functions.** The [633WinTest](#) will work with this CFA533 module and may be used to easily check and reset the GPIO configuration to the default state so the ATX and DOW functions will work.

The GPIO configuration is one of the items stored by the command [4 \(0x04\): Store Current State as Boot State \(Pg. 43\)](#).



```

type: 0x22 = 3410
data_length:
  2 bytes to change value only
  3 bytes to change value and configure function and drive mode

data[0]: index of GPIO to modify
  0 = GPIO[0] = J8, Pin 7
  1 = GPIO[1] = J8, Pin 6 (may be ATX Host Power Sense, as configured by
    command 28, data\[2\])
  2 = GPIO[2] = J8, Pin 5 (default is ATX Host Power Control)
  3 = GPIO[3] = J8, Pin 4 (default is ATX Host Reset Control)
  4 = GPIO[4] = J9, Pin 2 (default is DOW I/O--may have 1kΩ hardware pull-up)
  5-255 = reserved
  
```

Please note: Future versions of this command on future hardware models may accept additional values for data[0], which would control the state of future additional GPIO pins

```

data[1]: Pin output state (actual behavior depends on drive mode):
  0 = Output set to low
  1-99 = Output duty cycle percentage (100 Hz nominal)
  100 = Output set to high
  101-255 = invalid
  
```

data[2]: Pin function select and drive mode (optional, 0-15 valid)

```

---- FDDD
| | | | -- DDD = Drive Mode (based on output state of 1 or 0)
| | | | =====
| | | | 000: 1=Fast, Strong Drive Up, 0=Resistive Pull Down
| | | | 001: 1=Fast, Strong Drive Up, 0=Fast, Strong Drive Down
| | | | 010: Hi-Z, use for input
| | | | 011: 1=Resistive Pull Up, 0=Fast, Strong Drive Down
| | | | 100: 1=Slow, Strong Drive Up, 0=Hi-Z
| | | | 101: 1=Slow, Strong Drive Up, 0=Slow, Strong Drive Down
| | | | 110: reserved, do not use
| | | | 111: 1=Hi-Z, 0=Slow, Strong Drive Down
| | | |
| | | | ----- F = Function
| | | | =====
| | | | 0: Port unused for GPIO. It will take on the default
| | | | function such as ATX, DOW or unused. The user is
| | | | responsible for setting the drive to the correct
| | | | value in order for the default function to work
| | | | correctly.
| | | | 1: Port used for GPIO under user control. The user is
| | | | responsible for setting the drive to the correct
| | | | value in order for the desired GPIO mode to work
| | | | correctly.
| | | | ----- reserved, must be 0
  
```

The return packet will be:

```

type: 0x40 | 0x22 = 0x62 = 9810
data_length: 0
  
```

### 35 (0x23): Read GPIO Pin Levels and Configuration State

Please see command [34 \(0x22\): Set/Configure GPIO \(Pg. 58\)](#) for details on the GPIO architecture.





# CHARACTER GENERATOR ROM (CGROM)

To find the code for a given character, add the two numbers that are shown in bold for its row and column. For example, the Greek letter "β" is in the column labeled "224d" and in the row labeled "2d". So 224 + 2 = 226. When you send a byte with the value of 226 to the display, the Greek letter "β" will be shown.

upper 4 bits lower 4 bits	0 <sub>d</sub> 0000 <sub>2</sub>	16 <sub>d</sub> 0001 <sub>2</sub>	32 <sub>d</sub> 0010 <sub>2</sub>	48 <sub>d</sub> 0011 <sub>2</sub>	64 <sub>d</sub> 0100 <sub>2</sub>	80 <sub>d</sub> 0101 <sub>2</sub>	96 <sub>d</sub> 0110 <sub>2</sub>	112 <sub>d</sub> 0111 <sub>2</sub>	128 <sub>d</sub> 1000 <sub>2</sub>	144 <sub>d</sub> 1001 <sub>2</sub>	160 <sub>d</sub> 1010 <sub>2</sub>	176 <sub>d</sub> 1011 <sub>2</sub>	192 <sub>d</sub> 1100 <sub>2</sub>	208 <sub>d</sub> 1101 <sub>2</sub>	224 <sub>d</sub> 1110 <sub>2</sub>	240 <sub>d</sub> 1111 <sub>2</sub>
0 <sub>d</sub> 0000 <sub>2</sub>	CGRAM [0]															
1 <sub>d</sub> 0001 <sub>2</sub>	CGRAM [1]															
2 <sub>d</sub> 0010 <sub>2</sub>	CGRAM [2]															
3 <sub>d</sub> 0011 <sub>2</sub>	CGRAM [3]															
4 <sub>d</sub> 0100 <sub>2</sub>	CGRAM [4]															
5 <sub>d</sub> 0101 <sub>2</sub>	CGRAM [5]															
6 <sub>d</sub> 0110 <sub>2</sub>	CGRAM [6]															
7 <sub>d</sub> 0111 <sub>2</sub>	CGRAM [7]															
8 <sub>d</sub> 1000 <sub>2</sub>	CGRAM [0]															
9 <sub>d</sub> 1001 <sub>2</sub>	CGRAM [1]															
10 <sub>d</sub> 1010 <sub>2</sub>	CGRAM [2]															
11 <sub>d</sub> 1011 <sub>2</sub>	CGRAM [3]															
12 <sub>d</sub> 1100 <sub>2</sub>	CGRAM [4]															
13 <sub>d</sub> 1101 <sub>2</sub>	CGRAM [5]															
14 <sub>d</sub> 1110 <sub>2</sub>	CGRAM [6]															
15 <sub>d</sub> 1111 <sub>2</sub>	CGRAM [7]															

Figure 19. Character Generator ROM (CGROM)



# LCD MODULE RELIABILITY AND LONGEVITY

---

## MODULE RELIABILITY

ITEM	SPECIFICATION	
LCD portion (excluding Keypad and Backlights)	50,000 to 100,000 hours (typical)	
Keypad	1,000,000 keystrokes	
White* LED Display and Blue LED Keypad Backlights	<i>Power-On Hours</i>	<i>% of Initial Brightness</i>
* We recommend that the backlight of the white LED backlit modules be dimmed or turned off during periods of inactivity to conserve the white LED backlight lifetime.	<10,000	>90%
	<50,000	>50%

## MODULE LONGEVITY (EOL / REPLACEMENT POLICY)

Crystalfontz is committed to making all of our LCD modules available for as long as possible. For each module we introduce, we intend to offer it indefinitely. We do not preplan a module's obsolescence. The majority of modules we have introduced are still available.

We recognize that discontinuing a module may cause problems for some customers. However, rapidly changing technologies, component availability, or low customer order levels may force us to discontinue ("End of Life", EOL) a module. For example, we must occasionally discontinue a module when a supplier discontinues a component or a manufacturing process becomes obsolete. When we discontinue a module, we will do our best to find an acceptable replacement module with the same fit, form, and function.

In most situations, you will not notice a difference when comparing a "fit, form, and function" replacement module to the discontinued module it replaces. However, sometimes a change in component or process for the replacement module results in a slight variation, perhaps an improvement, over the previous design.

Although the replacement module is still within the stated Data Sheet specifications and tolerances of the discontinued module, changes may require modification to your circuit and/or firmware. Possible changes include:

- *Backlight LEDs.* Brightness may be affected (perhaps the new LEDs have better efficiency) or the current they draw may change (new LEDs may have a different VF).
- *Controller.* A new controller may require minor changes in your code.
- *Component tolerances.* Module components have manufacturing tolerances. In extreme cases, the tolerance stack can change the visual or operating characteristics.

Please understand that we avoid changing a module whenever possible; we only discontinue a module if we have no other option. We will post Part Change Notices (PCN) on the product's webpage as soon as possible. If interested, you can subscribe to future part change notifications.

## CARE AND HANDLING PRECAUTIONS

---

For optimum operation of the CFA533-TMI-KL and to prolong its life, please follow the precautions described below.



## ELECTROSTATIC DISCHARGE (ESD)

The circuitry is industry standard CMOS logic and susceptible to ESD damage. Please use industry standard antistatic precautions as you would for any other static sensitive devices such as expansion cards, motherboards, or integrated circuits. Ground your body, work surfaces, and equipment.

## DESIGN AND MOUNTING

- The exposed surface of the LCD “glass” is actually a polarizer laminated on top of the glass. To protect the soft plastic polarizer from damage, the module ships with a protective film over the polarizer. Please peel off the protective film slowly. Peeling off the protective film abruptly may generate static electricity.
- The polarizer is made out of soft plastic and is easily scratched or damaged. When handling the LCD module, avoid touching the polarizer. Finger oils are difficult to remove.
- CFA533-TMI-KL *without Crystalfontz overlay*: To protect the soft plastic polarizer from damage, place a transparent plate (for example, acrylic, polycarbonate, or glass) in front of the LCD module, leaving a small gap between the plate and the display surface. We use GE HP-92 Lexan, which is readily available and works well.
- Do not disassemble or modify the LCD module.
- Do not modify the six tabs of the metal bezel or make connections to them.
- Solder only to the I/O terminals. Use care when removing solder. It is possible to damage the PCB.
- Do not reverse polarity to the power supply connections. Reversing polarity will immediately ruin the LCD module.

## AVOID SHOCK, IMPACT, TORQUE, OR TENSION

- Do not expose the LCD module to strong mechanical shock, impact, torque, or tension.
- Do not drop, toss, bend, or twist the LCD module.
- Do not place weight or pressure on the LCD module.

## IF LCD PANEL BREAKS

- If the LCD panel breaks, be careful to not get the liquid crystal fluid in your mouth or eyes.
- If the liquid crystal fluid touches your skin, clothes, or work surface, wash it off immediately using soap and plenty of water.

## CLEANING

- The polarizer (laminated to the glass) is soft plastic. The soft plastic is easily scratched or damaged. Be very careful when you clean the polarizer.
- Do not clean the polarizer with liquids. Do not wipe the polarizer with any type of cloth or swab (for example, Q-tips).
- Use the removable protective film to remove smudges (for example, fingerprints) and any foreign matter. If you no longer have the protective film, use standard transparent office tape (for example, Scotch® brand “Crystal Clear Tape”). If the polarizer is dusty, you may carefully blow it off with clean, dry, oil-free compressed air.
- CFA533-TMI-KL *without Crystalfontz overlay*: The exposed surface of the LCD “glass” is actually the front polarizer laminated to the glass. The polarizer is made out of a fairly soft plastic and is easily scratched or damaged. The polarizer will eventually become hazy if you do not take great care when cleaning it. Long contact with moisture (from condensation or cleaning) may permanently spot or stain the polarizer.



## OPERATION

- Your circuit should be designed to protect the CFA533-TMI-KL from ESD and power supply transients.
- Observe the operating temperature limitations: a minimum of -20°C to a maximum of 70°C with minimal fluctuation. Operation outside of these limits may shorten life and/or harm display.
  - At lower temperatures of this range, response time is delayed.
  - At higher temperatures of this range, display becomes dark. (You may need to adjust the contrast.)
- Operate away from dust, moisture, and direct sunlight.
- Adjust backlight brightness so the display is readable but not too bright. Dim or turn off the backlight during periods of inactivity to conserve the white LED backlight lifetime.

## STORAGE AND RECYCLING

- Store in an ESD-approved container away from dust, moisture, and direct sunlight.
- Observe the storage temperature limitations: -30°C minimum, 80°C maximum with minimal fluctuation. Rapid temperature changes can cause moisture to form, resulting in permanent damage.
- Do not allow weight to be placed on the CFA533-TMI-KLs while they are in storage.
- Please recycle your outdated CrystalFontz modules at an approved facility.

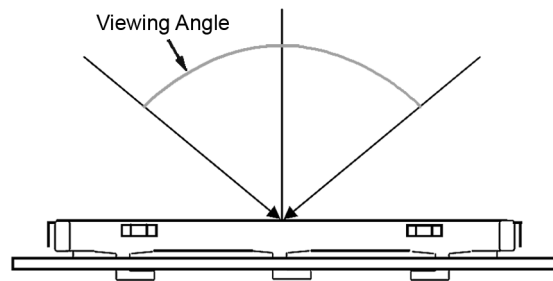




# APPENDIX A: QUALITY ASSURANCE STANDARDS

## INSPECTION CONDITIONS

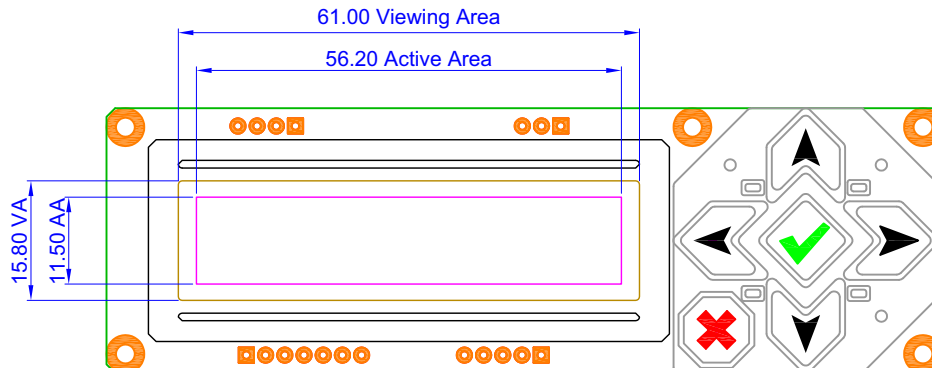
- Environment
  - Temperature:  $25\pm 5^{\circ}\text{C}$
  - Humidity: 30~85% RH
- For visual inspection of active display area
  - Source lighting: two 20 Watt or one 40 Watt fluorescent light
  - Display adjusted for best contrast
  - Viewing distance:  $30\pm 5$  cm (about 12 inches)
  - Viewable angle: inspect at  $45^{\circ}$  angle of vertical line right and left, top and bottom



## COLOR DEFINITIONS

We try to describe the appearance of our modules as accurately as possible. For the photos, we adjust for optimal appearance. Actual display appearance may vary due to (1) different operating conditions, (2) small variations of component tolerances, (3) inaccuracies of our camera, (4) color interpretation of the photos on your monitor, and/or (5) personal differences in the perception of color.

## DEFINITION OF ACTIVE AREA AND VIEWABLE AREA





## ACCEPTANCE SAMPLING

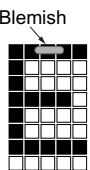
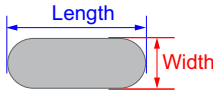
DEFECT TYPE	AQL*
Major	≤0.65%
Minor	≤1.00%
*Acceptable Quality Level: maximum allowable error rate or variation from standard	

## DEFECTS CLASSIFICATION

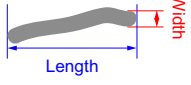
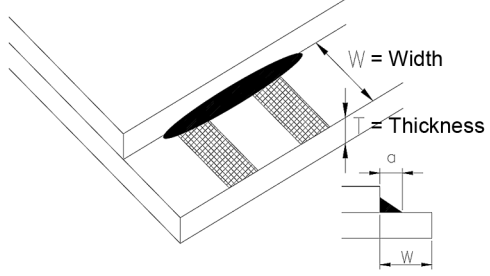
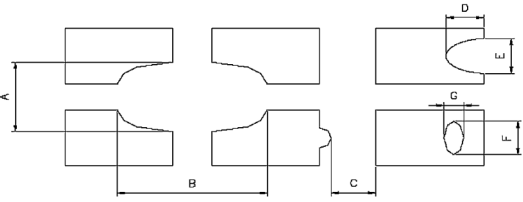
Defects are defined as:

- Major Defect: results in failure or substantially reduces usability of unit for its intended purpose
- Minor Defect: deviates from standards but is not likely to reduce usability for its intended purpose

## ACCEPTANCE STANDARDS

#	DEFECT TYPE	CRITERIA		MAJOR / MINOR	
1	Electrical defects	1. No display, display malfunctions, or shorted segments. 2. Current consumption exceeds specifications.		Major	
2	Viewing area defect	Viewing area does not meet specifications. (See <a href="#">Inspection Conditions (Pg. 65)</a> ).		Major	
3	Contrast adjustment defect	Contrast adjustment fails or malfunctions.		Major	
4	Blemishes or foreign matter on display segments		<i>Defect Size (mm)</i>	<i>Acceptable Qty</i>	Minor
			≤0.3	3	
			≤2 defects within 10 mm of each other		
5	Other blemishes or foreign matter outside of display segments	Defect size = (A + B)/2 	<i>Defect Size (mm)</i>	<i>Acceptable Qty</i>	Minor
			≤0.15	Ignore	
			0.15 to 0.20	3	
			0.20 to 0.25	2	
			0.25 to 0.30	1	



#	DEFECT TYPE	CRITERIA			MAJOR / MINOR
6	Dark lines or scratches in display area  	<i>Defect Width (mm)</i>	<i>Defect Length (mm)</i>	<i>Acceptable Qty</i>	Minor
		≤0.03	≤3.0	3	
		0.03 to 0.05	≤2.0	2	
		0.05 to 0.08	≤2.0	1	
		0.08 to 0.10	≤3.0	0	
		≥0.10	>3.0	0	
7	Bubbles between polarizer film and glass	<i>Defect Size (mm)</i>	<i>Acceptable Qty</i>	Minor	
		≤0.20	Ignore		
		0.20 to 0.40	3		
		0.40 to 0.60	2		
		≥0.60	0		
8	Glass rest defect				Minor
9	Display pattern defect				Minor
		<i>Dot Size (mm)</i>	<i>Acceptable Qty</i>		
		$((A+B)/2) \leq 0.2$	$\leq 3$ total defects $\leq 2$ pinholes per digit		
		$C > 0$			
		$((D+E)/2) \leq 0.25$			
		$((F+G)/2) \leq 0.25$			



#	DEFECT TYPE	CRITERIA	MAJOR / MINOR												
10	Chip in corner		Minor												
		<table border="1"> <thead> <tr> <th><i>a</i></th> <th><i>b</i></th> <th><i>c</i></th> <th>Acceptable Qty</th> </tr> </thead> <tbody> <tr> <td><math>&lt;4 \text{ mm}</math></td> <td><math>\leq W</math></td> <td><math>c \leq T</math></td> <td>3</td> </tr> </tbody> </table>		<i>a</i>	<i>b</i>	<i>c</i>	Acceptable Qty	$<4 \text{ mm}$	$\leq W$	$c \leq T$	3				
		<i>a</i>		<i>b</i>	<i>c</i>	Acceptable Qty									
$<4 \text{ mm}$	$\leq W$	$c \leq T$	3												
11	Chip on "non-contact" edge of LCD		Minor												
		<table border="1"> <thead> <tr> <th><i>a</i></th> <th><i>b</i></th> <th><i>c</i></th> </tr> </thead> <tbody> <tr> <td><math>\leq 3 \text{ mm}</math></td> <td><math>\leq 1 \text{ mm}</math></td> <td><math>\leq T</math></td> </tr> <tr> <td><math>\leq 4 \text{ mm}</math></td> <td><math>\leq 1.5 \text{ mm}</math></td> <td><math>\leq T</math></td> </tr> </tbody> </table>		<i>a</i>	<i>b</i>	<i>c</i>	$\leq 3 \text{ mm}$	$\leq 1 \text{ mm}$	$\leq T$	$\leq 4 \text{ mm}$	$\leq 1.5 \text{ mm}$	$\leq T$			
		<i>a</i>		<i>b</i>	<i>c</i>										
$\leq 3 \text{ mm}$	$\leq 1 \text{ mm}$	$\leq T$													
$\leq 4 \text{ mm}$	$\leq 1.5 \text{ mm}$	$\leq T$													
12	Chip on "contact" edge of LCD, on the active side		Minor												
		<table border="1"> <thead> <tr> <th><i>a</i></th> <th><i>b</i></th> <th><i>c</i></th> <th>Acceptable Qty</th> </tr> </thead> <tbody> <tr> <td><math>\leq 2 \text{ mm}</math></td> <td><math>\leq W/4</math></td> <td><math>\leq T</math></td> <td>Ignore</td> </tr> <tr> <td><math>\leq 3 \text{ mm}</math></td> <td><math>\leq W/4</math></td> <td><math>\leq T</math></td> <td>3</td> </tr> </tbody> </table>		<i>a</i>	<i>b</i>	<i>c</i>	Acceptable Qty	$\leq 2 \text{ mm}$	$\leq W/4$	$\leq T$	Ignore	$\leq 3 \text{ mm}$	$\leq W/4$	$\leq T$	3
		<i>a</i>		<i>b</i>	<i>c</i>	Acceptable Qty									
$\leq 2 \text{ mm}$	$\leq W/4$	$\leq T$	Ignore												
$\leq 3 \text{ mm}$	$\leq W/4$	$\leq T$	3												



#	DEFECT TYPE	CRITERIA	MAJOR / MINOR												
13	Chip on "contact" edge of LCD, on the inactive side		Minor												
		<table border="1"> <thead> <tr> <th>a</th> <th>b</th> <th>c</th> <th>Acceptable Qty</th> </tr> </thead> <tbody> <tr> <td>≤3 mm</td> <td>≤1 mm</td> <td>≤T</td> <td>Ignore</td> </tr> <tr> <td>≤4 mm</td> <td>≤1.5 mm</td> <td>≤T</td> <td>3</td> </tr> </tbody> </table>		a	b	c	Acceptable Qty	≤3 mm	≤1 mm	≤T	Ignore	≤4 mm	≤1.5 mm	≤T	3
		a		b	c	Acceptable Qty									
		≤3 mm		≤1 mm	≤T	Ignore									
≤4 mm	≤1.5 mm	≤T	3												
<table border="1"> <thead> <tr> <th>a</th> <th>b</th> <th>c</th> <th>Acceptable Qty</th> </tr> </thead> <tbody> <tr> <td>&lt;3 mm</td> <td>≤1.5 mm</td> <td>≤1/2 T</td> <td>3</td> </tr> </tbody> </table>	a	b	c	Acceptable Qty	<3 mm	≤1.5 mm	≤1/2 T	3							
a	b	c	Acceptable Qty												
<3 mm	≤1.5 mm	≤1/2 T	3												
Unacceptable if c>50% of glass thickness or if the seal area is damaged.															
14	Chip in seal area		Minor												
		<table border="1"> <thead> <tr> <th>a</th> <th>b</th> <th>c</th> <th>Acceptable Qty</th> </tr> </thead> <tbody> <tr> <td>&lt;3 mm</td> <td>≤1.5 mm</td> <td>≤1/2 T</td> <td>3</td> </tr> </tbody> </table>		a	b	c	Acceptable Qty	<3 mm	≤1.5 mm	≤1/2 T	3				
		a		b	c	Acceptable Qty									
<3 mm	≤1.5 mm	≤1/2 T	3												
Unacceptable if c>50% of glass thickness or if the seal area is damaged.															
15	Backlight defects	<ol style="list-style-type: none"> <li>1. Light fails or flickers.*</li> <li>2. Color and luminance do not correspond to specifications.*</li> <li>3. Exceeds standards for display's blemishes or foreign matter (<a href="#">see test 5, Pg. 66</a>), and dark lines or scratches (<a href="#">see test 6, Pg. 67</a>).</li> </ol> <p><i>*Minor if display functions correctly. Major if the display fails.</i></p>	Minor												
16	COB defects	<ol style="list-style-type: none"> <li>1. Pinholes &gt;0.2 mm.</li> <li>2. Seal surface has pinholes through to the IC.</li> <li>3. More than 3 locations of sealant beyond 2 mm of the sealed areas.</li> </ol>	Minor												
17	PCB defects	<ol style="list-style-type: none"> <li>1. Oxidation or contamination on connectors.*</li> <li>2. Wrong parts, missing parts, or parts not in specification.*</li> <li>3. Jumpers set incorrectly.</li> <li>4. Solder (if any) on bezel, LED pad, zebra pad, or screw hole pad is not smooth.</li> </ol> <p><i>*Minor if display functions correctly. Major if the display fails.</i></p>	Minor												



#	DEFECT TYPE	CRITERIA	MAJOR / MINOR
18	Soldering defects	1. Unmelted solder paste. 2. Cold solder joints, missing solder connections, or oxidation.* 3. Solder bridges causing short circuits.* 4. Residue or solder balls. 5. Solder flux is black or brown. <i>*Minor if display functions correctly. Major if the display fails.</i>	Minor



## APPENDIX B: SAMPLE CODE AND CALCULATING THE CRC

---

### SAMPLE CODE

#### ALGORITHMS TO CALCULATE THE CRC

Below are eight sample algorithms that will calculate the CRC of a CFA533 packet. Some of the algorithms were contributed by forum members and originally written for the [CFA631](#) and [CFA635](#). The CRC used in the CFA533 is the same one that is used in IrDA, which came from PPP, which seems to be related to a CCITT (ref: Network Working Group Request for Comments: 1171) standard. At that point, the trail was getting a bit cold and diverged into several referenced articles and papers, dating back to 1983.

The polynomial used is  $X^{16} + X^{12} + X^5 + X^0$  (0x8408)  
The result is bit-wise inverted before being returned.

#### Algorithm 1: "C" Table Implementation

This algorithm is typically used on the host computer, where code space is not an issue.

```
//This code is from the IRDA LAP documentation, which appears to
//have been copied from PPP:
//
// http://irda.affiniscape.com/associations/2494/files/Specifications/
IrLAP11_Plus_Errata.zip
//
//I doubt that there are any worries about the legality of this code,
//searching for the first line of the table below, it appears that
//the code is already included in the linux 2.6 kernel "Driver for
//ST5481 USB ISDN modem". This is an "industry standard" algorithm
//and I do not think there are ANY issues with it at all.
typedef unsigned char ubyte;
typedef unsigned short word;
word get_crc(ubyte *bufptr,word len)
{
//CRC lookup table to avoid bit-shifting loops.
static const word crcLookupTable[256] =
{0x00000,0x01189,0x02312,0x0329B,0x04624,0x057AD,0x06536,0x074BF,
0x08C48,0x09DC1,0x0AF5A,0x0BED3,0x0CA6C,0x0DBE5,0x0E97E,0x0F8F7,
0x01081,0x00108,0x03393,0x0221A,0x056A5,0x0472C,0x075B7,0x0643E,
0x09CC9,0x08D40,0x0BFDB,0x0AE52,0x0DAED,0x0CB64,0x0F9FF,0x0E876,
0x02102,0x0308B,0x00210,0x01399,0x06726,0x076AF,0x04434,0x055BD,
0x0AD4A,0x0BCC3,0x08E58,0x09FD1,0x0EB6E,0x0FAE7,0x0C87C,0x0D9F5,
0x03183,0x0200A,0x01291,0x00318,0x077A7,0x0662E,0x054B5,0x0453C,
0x0BDCB,0x0AC42,0x09ED9,0x08F50,0x0FBF7,0x0EA66,0x0D8FD,0x0C974,
0x04204,0x0538D,0x06116,0x0709F,0x00420,0x015A9,0x02732,0x036BB,
0x0CE4C,0x0DFC5,0x0ED5E,0x0FCD7,0x08868,0x099E1,0x0AB7A,0x0BAF3,
0x05285,0x0430C,0x07197,0x0601E,0x014A1,0x00528,0x037B3,0x0263A,
0x0DECD,0x0CF44,0x0FDDF,0x0EC56,0x098E9,0x08960,0x0BBFB,0x0AA72,
0x06306,0x0728F,0x04014,0x0519D,0x02522,0x034AB,0x00630,0x017B9,
0x0EF4E,0x0FEC7,0x0CC5C,0x0DD55,0x0A96A,0x0B8E3,0x08A78,0x09BF1,
0x07387,0x0620E,0x05095,0x0411C,0x035A3,0x0242A,0x016B1,0x00738,
0x0FFCF,0x0EE46,0x0DCDD,0x0CD54,0x0B9EB,0x0A862,0x09AF9,0x08B70,
0x08408,0x09581,0x0A71A,0x0B693,0x0C22C,0x0D3A5,0x0E13E,0x0F0B7,
0x00840,0x019C9,0x02B52,0x03ADB,0x04E64,0x05FED,0x06D76,0x07CFF,
0x09489,0x08500,0x0B79B,0x0A612,0x0D2AD,0x0C324,0x0F1BF,0x0E036,
0x018C1,0x00948,0x03BD3,0x02A5A,0x05EE5,0x04F6C,0x07DF7,0x06C7E,
0x0A50A,0x0B483,0x08618,0x09791,0x0E32E,0x0F2A7,0x0C03C,0x0D1B5,
```



```
0x02942,0x038CB,0x00A50,0x01BD9,0x06F66,0x07EEF,0x04C74,0x05DFD,  
0x0B58B,0x0A402,0x09699,0x08710,0x0F3AF,0x0E226,0x0D0BD,0x0C134,  
0x039C3,0x0284A,0x01AD1,0x00B58,0x07FE7,0x06E6E,0x05CF5,0x04D7C,  
0x0C60C,0x0D785,0x0E51E,0x0F497,0x08028,0x091A1,0x0A33A,0x0B2B3,  
0x04A44,0x05BCD,0x06956,0x078DF,0x00C60,0x01DE9,0x02F72,0x03EFB,  
0x0D68D,0x0C704,0x0F59F,0x0E416,0x090A9,0x08120,0x0B3BB,0x0A232,  
0x05AC5,0x04B4C,0x079D7,0x0685E,0x01CE1,0x00D68,0x03FF3,0x02E7A,  
0x0E70E,0x0F687,0x0C41C,0x0D595,0x0A12A,0x0B0A3,0x08238,0x093B1,  
0x06B46,0x07ACF,0x04854,0x059DD,0x02D62,0x03CEB,0x00E70,0x01FF9,  
0x0F78F,0x0E606,0x0D49D,0x0C514,0x0B1AB,0x0A022,0x092B9,0x08330,  
0x07BC7,0x06A4E,0x058D5,0x0495C,0x03DE3,0x02C6A,0x01EF1,0x00F78};
```

```
register word  
newCrc;  
newCrc=0xFFFF;  
//This algorithm is based on the IrDA LAP example.  
while(len--)  
    newCrc = (newCrc >> 8) ^ crcLookupTable[(newCrc ^ *bufptr++) & 0xff];  
  
//Make this crc match the one's complement that is sent in the packet.  
return(~newCrc);  
}
```

## Algorithm 2: "C" Bit Shift Implementation

This algorithm was mainly written to avoid any possible legal issues about the source of the routine (at the request of the LCDproc group). This routine was "clean" coded from the definition of the CRC. It is ostensibly smaller than the table driven approach but will take longer to execute. This routine is offered under the GPL.

```
typedef unsigned char ubyte;  
typedef unsigned short word;  
word get_crc(ubyte *bufptr,word len)  
{  
    register unsigned int  
        newCRC;  
    //Put the current byte in here.  
    ubyte  
        data;  
    int  
        bit_count;  
    //This seed makes the output of this shift based algorithm match  
    //the table based algorithm. The center 16 bits of the 32-bit  
    //"newCRC" are used for the CRC. The MSb of the lower byte is used  
    //to see what bit was shifted out of the center 16 bit CRC  
    //accumulator ("carry flag analog");  
    newCRC=0x00F32100;  
    while(len--)  
    {  
        //Get the next byte in the stream.  
        data=*bufptr++;  
        //Push this byte's bits through a software  
        //implementation of a hardware shift & xor.  
        for(bit_count=0;bit_count<=7;bit_count++)  
        {  
            //Shift the CRC accumulator  
            newCRC>>=1;  
  
            //The new MSB of the CRC accumulator comes  
            //from the LSB of the current data byte.  
            if(data&0x01)  
                newCRC|=0x00800000;  
  
            //If the low bit of the current CRC accumulator was set  
            //before the shift, then we need to XOR the accumulator  
            //with the polynomial (center 16 bits of 0x00840800)  
            if(newCRC&0x00000080)
```





```
        newCRC^=0x00840800;
        //Shift the data byte to put the next bit of the stream
        //into position 0.
        data>>=1;
    }
}

//All the data has been done. Do 16 more bits of 0 data.
for(bit_count=0;bit_count<=15;bit_count++)
{
    //Shift the CRC accumulator
    newCRC>>=1;

    //If the low bit of the current CRC accumulator was set
    //before the shift we need to XOR the accumulator with
    //0x00840800.
    if(newCRC&0x00000080)
        newCRC^=0x00840800;
}
//Return the center 16 bits, making this CRC match the one's
//complement that is sent in the packet.
return((~newCRC)>>8);
}
```

## Algorithm 2B: "C" Improved Bit Shift Implementation

This is simplified algorithm that implements the CRC.

```
unsigned short get_crc(unsigned char count,unsigned char *ptr)
{
    unsigned short
        crc; //Calculated CRC
    unsigned char
        i; //Loop count, bits in byte
    unsigned char
        data; //Current byte being shifted

    crc = 0xFFFF; // Preset to all 1's, prevent loss of leading zeros

    while(count--)
    {
        data = *ptr++;
        i = 8;
        do
        {
            if((crc ^ data) & 0x01)
            {
                crc >>= 1;
                crc ^= 0x8408;
            }
            else
                crc >>= 1;
            data >>= 1;
        } while(--i != 0);
    }
    return (~crc);
}
```



### Algorithm 3: "PIC Assembly" Bit Shift Implementation

This routine was graciously donated by one of our customers.

```

;=====
; Crystalfontz CFA533 PIC CRC Calculation Example
;
; This example calculates the CRC for the hard coded example provided
; in the documentation.
;
; It uses "This is a test. " as input and calculates the proper CRC
; of 0x93FA.
;=====
#include "p16f877.inc"
;=====
; CRC16 equates and storage
;-----
accuml      equ    40h      ; BYTE - CRC result register high byte
accumh      equ    41h      ; BYTE - CRC result register high low byte
datareg     equ    42h      ; BYTE - data register for shift
j           equ    43h      ; BYTE - bit counter for CRC 16 routine
Zero        equ    44h      ; BYTE - storage for string memory read
index       equ    45h      ; BYTE - index for string memory read
savchr      equ    46h      ; BYTE - temp storage for CRC routine
;
seedlo      equ    021h     ; initial seed for CRC reg lo byte
seedhi      equ    0F3h     ; initial seed for CRC reg hi byte
;
polyL       equ    008h     ; polynomial low byte
polyH       equ    084h     ; polynomial high byte
;=====
; CRC Test Program
;-----
          org      0          ; reset vector = 0000H
;
          clrf     PCLATH     ; ensure upper bits of PC are cleared
          clrf     STATUS     ; ensure page bits are cleared
          goto    main       ; jump to start of program
;
; ISR Vector
;
          org      4          ; start of ISR
          goto    $          ; jump to ISR when coded
;
          org      20         ; start of main program
main
          movlw   seedhi      ; setup intial CRC seed value.
          movwf   accumh      ; This must be done prior to
          movlw   seedlo      ; sending string to CRC routine.
          movwf   accuml      ;
          clrf    index       ; clear string read variables
;
main1
          movlw   HIGH InputStr ; point to LCD test string
          movwf   PCLATH      ; latch into PCL,
          movfw   index       ; get index
          call    InputStr    ; get character
          movwf   Zero        ; setup for terminator test
          movf    Zero,f      ; see if terminator
          btfsc   STATUS,Z    ; skip if not terminator
          goto   main2        ; else terminator reached, jump out of loop
          call    CRC16       ; calculate new crc
          call    SENDUART    ; send data to LCD
          incf   index,f      ; bump index
          goto   main1        ; loop
;
main2
          movlw   00h         ; shift accumulator 16 more bits.

```



```

    call    CRC16      ; This must be done after sending
    movlw  00h        ; string to CRC routine.
    call    CRC16      ;
;
    comf   accumh,f   ; invert result
    comf   accumul,f  ;
;
    movfw  accumul    ; get CRC low byte
    call   SENDUART   ; send to LCD
    movfw  accumh     ; get CRC hi byte
    call   SENDUART   ; send to LCD
;
stop    goto    stop      ; word result of 0x93FA is in accumh/accuml
;=====
; calculate CRC of input byte
;-----
CRC16
    movwf  savchr     ; save the input character
    movwf  datareg    ; load data register
    movlw  .8         ; setup number of bits to test
    movwf  j         ; save to incrementor
_loop
    clrc                    ; clear carry for CRC register shift
    rrf   datareg,f        ; perform shift of data into CRC register
    rrf   accumh,f        ;
    rrf   accumul,f       ;
    btfss STATUS,C        ; skip jump if if carry
    goto  _notset         ; otherwise goto next bit
    movlw polyL           ; XOR poly mask with CRC register
    xorwf accumul,F      ;
    movlw polyH           ;
    xorwf accumh,F       ;
_notset
    decfsz j,F           ; decrement bit counter
    goto  _loop          ; loop if not complete
    movfw savchr         ; restore the input character
    return               ; return to calling routine
;=====
; USER SUPPLIED Serial port transmit routine
;-----
SENDUART
    return                ; put serial xmit routine here
;=====
; test string storage
;-----
    org    0100h
;
InputStr
    addwf  PCL,f
    dt    7h,10h,"This is a test. ",0
;
;=====
end

```

### Algorithm 4: “Visual Basic” Table Implementation

Visual BASIC has its own challenges as a language (such as initializing static arrays), and it is also challenging to use Visual BASIC to work with “binary” (arbitrary length character data possibly containing nulls—such as the “data” portion of the CFA533 packet) data. This routine was adapted from the C table implementation. The complete project can be found in our forums.

```

'This program is brutally blunt. Just like VB. No apologies.
'Written by CrystalFontz America, Inc. 2004 http://www.crystalfontz.com
'Free code, not copyright copyleft or anything else.
'Some visual basic concepts taken from:
'http://www.planet-source-code.com/vb/scripts/ShowCode.asp?txtCodeId=21434&lngWid=1

```



```
'most of the algorithm is from functions in 633_WinTest:  
'https://www.crystalfontz.com/product/633WinTest#docs  
'Full zip of the project is available in our forum:  
'http://www.crystalfontz.com/forum/showthread.php?postid=9921#post9921
```

```
Private Type WORD  
    Lo As Byte  
    Hi As Byte  
End Type
```

```
Private Type PACKET_STRUCT  
    command As Byte  
    data_length As Byte  
    data(22) As Byte  
    crc As WORD  
End Type
```

```
Dim crcLookupTable(256) As WORD
```

```
Private Sub MSCComm_OnComm()  
'Leave this here  
End Sub
```

```
'My understanding of visual basic is very limited--however it appears that there is no way  
'to initialize an array of structures. Nice language. Fast processors, lots of memory, big  
'disks, and we fill them up with this . . this . . this . . STUFF.
```

```
Sub Initialize_CRC_Lookup_Table()  
    crcLookupTable(0).Lo = &H0  
    crcLookupTable(0).Hi = &H0  
    . . .
```

```
'For purposes of brevity in this data sheet, I have removed 251 entries of this table, the  
'full source is available in our forum:  
'http://www.crystalfontz.com/forum/showthread.php?postid=9921#post9921
```

```
    . . .  
    crcLookupTable(255).Lo = &H78  
    crcLookupTable(255).Hi = &HF  
End Sub
```

```
'This function returns the CRC of the array at data for length positions  
Private Function Get_CRC(ByRef data() As Byte, ByVal length As Integer) As WORD
```

```
    Dim Index As Integer  
    Dim Table_Index As Integer  
    Dim newCrc As WORD  
    newCrc.Lo = &HFF  
    newCrc.Hi = &HFF  
    For Index = 0 To length - 1  
        'exclusive-or the input byte with the low-order byte of the CRC register  
        'to get an index into crcLookupTable  
        Table_Index = newCrc.Lo Xor data(Index)  
        'shift the CRC register eight bits to the right  
        newCrc.Lo = newCrc.Hi  
        newCrc.Hi = 0  
        ' exclusive-or the CRC register with the contents of Table at Table_Index  
        newCrc.Lo = newCrc.Lo Xor crcLookupTable(Table_Index).Lo  
        newCrc.Hi = newCrc.Hi Xor crcLookupTable(Table_Index).Hi  
    Next Index  
    'Invert & return newCrc  
    Get_CRC.Lo = newCrc.Lo Xor &HFF  
    Get_CRC.Hi = newCrc.Hi Xor &HFF  
End Function
```

```
Private Sub Send_Packet(ByRef packet As PACKET_STRUCT)  
    Dim Index As Integer  
    'Need to put the whole packet into a linear array  
    'since you can't do type overrides. VB, gotta love it.  
    Dim linear_array(26) As Byte  
    linear_array(0) = packet.command  
    linear_array(1) = packet.data_length
```



```
For Index = 0 To packet.data_length - 1
  linear_array(Index + 2) = packet.data(Index)
Next Index
packet.crc = Get_Crc(linear_array, packet.data_length + 2)
'Might as well move the CRC into the linear array too
linear_array(packet.data_length + 2) = packet.crc.Lo
linear_array(packet.data_length + 3) = packet.crc.Hi
'Now a simple loop can dump it out the port.
For Index = 0 To packet.data_length + 3
  MSComm.Output = Chr(linear_array(Index))
Next Index
End Sub
```

## Algorithm 5: "Java" Table Implementation

This [code was posted in our forum](#) by user "norm" as a working example of a Java CRC calculation.

```
public class CRC16 extends Object
{
  public static void main(String[] args)
  {
    byte[] data = new byte[2];
    // hw - fw
    data[0] = 0x01;
    data[1] = 0x00;
    System.out.println("hw -fw req");
    System.out.println(Integer.toHexString(compute(data)));

    // ping
    data[0] = 0x00;
    data[1] = 0x00;
    System.out.println("ping");
    System.out.println(Integer.toHexString(compute(data)));

    // reboot
    data[0] = 0x05;
    data[1] = 0x00;
    System.out.println("reboot");
    System.out.println(Integer.toHexString(compute(data)));

    // clear lcd
    data[0] = 0x06;
    data[1] = 0x00;
    System.out.println("clear lcd");
    System.out.println(Integer.toHexString(compute(data)));

    // set line 1
    data = new byte[18];
    data[0] = 0x07;
    data[1] = 0x10;
    String text = "Test Test Test ";
    byte[] textByte = text.getBytes();
    for (int i=0; i < text.length(); i++) data[i+2] = textByte[i];
    System.out.println("text 1");
    System.out.println(Integer.toHexString(compute(data)));
  }
  private CRC16()
  {
  }
  private static final int[] crcLookupTable =
  {
    0x00000, 0x01189, 0x02312, 0x0329B, 0x04624, 0x057AD, 0x06536, 0x074BF,
    0x08C48, 0x09DC1, 0x0AF5A, 0x0BED3, 0x0CA6C, 0x0DBE5, 0x0E97E, 0x0F8F7,
    0x01081, 0x00108, 0x03393, 0x0221A, 0x056A5, 0x0472C, 0x075B7, 0x0643E,
    0x09CC9, 0x08D40, 0x0BFDB, 0x0AE52, 0x0DAED, 0x0CB64, 0x0F9FF, 0x0E876,
    0x02102, 0x0308B, 0x00210, 0x01399, 0x06726, 0x076AF, 0x04434, 0x055BD,
    0x0AD4A, 0x0BCC3, 0x08E58, 0x09FD1, 0x0EB6E, 0x0FAE7, 0x0C87C, 0x0D9F5,
```



```

0x03183, 0x0200A, 0x01291, 0x00318, 0x077A7, 0x0662E, 0x054B5, 0x0453C,
0x0BDCB, 0x0AC42, 0x09ED9, 0x08F50, 0x0FBEF, 0x0EA66, 0x0D8FD, 0x0C974,
0x04204, 0x0538D, 0x06116, 0x0709F, 0x00420, 0x015A9, 0x02732, 0x036BB,
0x0CE4C, 0x0DFC5, 0x0ED5E, 0x0FCD7, 0x08868, 0x099E1, 0x0AB7A, 0x0BAF3,
0x05285, 0x0430C, 0x07197, 0x0601E, 0x014A1, 0x00528, 0x037B3, 0x0263A,
0x0DECD, 0x0CF44, 0x0FDDF, 0x0EC56, 0x098E9, 0x08960, 0x0BBFB, 0x0AA72,
0x06306, 0x0728F, 0x04014, 0x0519D, 0x02522, 0x034AB, 0x00630, 0x017B9,
0x0EF4E, 0x0FEC7, 0x0CC5C, 0x0DDD5, 0x0A96A, 0x0B8E3, 0x08A78, 0x09BF1,
0x07387, 0x0620E, 0x05095, 0x0411C, 0x035A3, 0x0242A, 0x016B1, 0x00738,
0x0FFCF, 0x0EE46, 0x0DCDD, 0x0CD54, 0x0B9EB, 0x0A862, 0x09AF9, 0x08B70,
0x08408, 0x09581, 0x0A71A, 0x0B693, 0x0C22C, 0x0D3A5, 0x0E13E, 0x0F0B7,
0x00840, 0x019C9, 0x02B52, 0x03ADB, 0x04E64, 0x05FED, 0x06D76, 0x07CFF,
0x09489, 0x08500, 0x0B79B, 0x0A612, 0x0D2AD, 0x0C324, 0x0F1BF, 0x0E036,
0x018C1, 0x00948, 0x03BD3, 0x02A5A, 0x05EE5, 0x04F6C, 0x07DF7, 0x06C7E,
0x0A50A, 0x0B483, 0x08618, 0x09791, 0x0E32E, 0x0F2A7, 0x0C03C, 0x0D1B5,
0x02942, 0x038CB, 0x00A50, 0x01BD9, 0x06F66, 0x07EEF, 0x04C74, 0x05DFD,
0x0B58B, 0x0A402, 0x09699, 0x08710, 0x0F3AF, 0x0E226, 0x0D0BD, 0x0C134,
0x039C3, 0x0284A, 0x01AD1, 0x00B58, 0x07FE7, 0x06E6E, 0x05CF5, 0x04D7C,
0x0C60C, 0x0D785, 0x0E51E, 0x0F497, 0x08028, 0x091A1, 0x0A33A, 0x0B2B3,
0x04A44, 0x05BCD, 0x06956, 0x078DF, 0x00C60, 0x01DE9, 0x02F72, 0x03EFB,
0x0D68D, 0x0C704, 0x0F59F, 0x0E416, 0x090A9, 0x08120, 0x0B3BB, 0x0A232,
0x05AC5, 0x04B4C, 0x079D7, 0x0685E, 0x01CE1, 0x00D68, 0x03FF3, 0x02E7A,
0x0E70E, 0x0F687, 0x0C41C, 0x0D595, 0x0A12A, 0x0B0A3, 0x08238, 0x093B1,
0x06B46, 0x07ACF, 0x04854, 0x059DD, 0x02D62, 0x03CEB, 0x00E70, 0x01FF9,
0x0F78F, 0x0E606, 0x0D49D, 0x0C514, 0x0B1AB, 0x0A022, 0x092B9, 0x08330,
0x07BC7, 0x06A4E, 0x058D5, 0x0495C, 0x03DE3, 0x02C6A, 0x01EF1, 0x00F78
};
public static int compute(byte[] data)
{
  int newCrc = 0xFFFF;
  for (int i = 0; i < data.length; i++ )
  {
    int lookup = crcLookupTable[(newCrc ^ data[i]) & 0xFF];
    newCrc = (newCrc >> 8) ^ lookup;
  }
  return (~newCrc);
}
}

```

### Algorithm 6: “Perl” Table Implementation

This code was translated from the C version by one of our customers.

```

#!/usr/bin/perl

use strict;

my @CRC_LOOKUP =
(0x00000, 0x01189, 0x02312, 0x0329B, 0x04624, 0x057AD, 0x06536, 0x074BF,
0x08C48, 0x09DC1, 0x0AF5A, 0x0BED3, 0x0CA6C, 0x0DBE5, 0x0E97E, 0x0F8F7,
0x01081, 0x00108, 0x03393, 0x0221A, 0x056A5, 0x0472C, 0x075B7, 0x0643E,
0x09CC9, 0x08D40, 0x0BFDB, 0x0AE52, 0x0DAED, 0x0CB64, 0x0F9FF, 0x0E876,
0x02102, 0x0308B, 0x00210, 0x01399, 0x06726, 0x076AF, 0x04434, 0x055BD,
0x0AD4A, 0x0BCC3, 0x08E58, 0x09FD1, 0x0EB6E, 0x0FAE7, 0x0C87C, 0x0D9F5,
0x03183, 0x0200A, 0x01291, 0x00318, 0x077A7, 0x0662E, 0x054B5, 0x0453C,
0x0BDCB, 0x0AC42, 0x09ED9, 0x08F50, 0x0FBEF, 0x0EA66, 0x0D8FD, 0x0C974,
0x04204, 0x0538D, 0x06116, 0x0709F, 0x00420, 0x015A9, 0x02732, 0x036BB,
0x0CE4C, 0x0DFC5, 0x0ED5E, 0x0FCD7, 0x08868, 0x099E1, 0x0AB7A, 0x0BAF3,
0x05285, 0x0430C, 0x07197, 0x0601E, 0x014A1, 0x00528, 0x037B3, 0x0263A,
0x0DECD, 0x0CF44, 0x0FDDF, 0x0EC56, 0x098E9, 0x08960, 0x0BBFB, 0x0AA72,
0x06306, 0x0728F, 0x04014, 0x0519D, 0x02522, 0x034AB, 0x00630, 0x017B9,
0x0EF4E, 0x0FEC7, 0x0CC5C, 0x0DDD5, 0x0A96A, 0x0B8E3, 0x08A78, 0x09BF1,
0x07387, 0x0620E, 0x05095, 0x0411C, 0x035A3, 0x0242A, 0x016B1, 0x00738,
0x0FFCF, 0x0EE46, 0x0DCDD, 0x0CD54, 0x0B9EB, 0x0A862, 0x09AF9, 0x08B70,
0x08408, 0x09581, 0x0A71A, 0x0B693, 0x0C22C, 0x0D3A5, 0x0E13E, 0x0F0B7,
0x00840, 0x019C9, 0x02B52, 0x03ADB, 0x04E64, 0x05FED, 0x06D76, 0x07CFF,
0x09489, 0x08500, 0x0B79B, 0x0A612, 0x0D2AD, 0x0C324, 0x0F1BF, 0x0E036,

```



```
0x018C1,0x00948,0x03BD3,0x02A5A,0x05EE5,0x04F6C,0x07DF7,0x06C7E,
0x0A50A,0x0B483,0x08618,0x09791,0x0E32E,0x0F2A7,0x0C03C,0x0D1B5,
0x02942,0x038CB,0x00A50,0x01BD9,0x06F66,0x07EEF,0x04C74,0x05DFD,
0x0B58B,0x0A402,0x09699,0x08710,0x0F3AF,0x0E226,0x0D0BD,0x0C134,
0x039C3,0x0284A,0x01AD1,0x00B58,0x07FE7,0x06E6E,0x05CF5,0x04D7C,
0x0C60C,0x0D785,0x0E51E,0x0F497,0x08028,0x091A1,0x0A33A,0x0B2B3,
0x04A44,0x05BCD,0x06956,0x078DF,0x00C60,0x01DE9,0x02F72,0x03EFB,
0x0D68D,0x0C704,0x0F59F,0x0E416,0x090A9,0x08120,0x0B3BB,0x0A232,
0x05AC5,0x04B4C,0x079D7,0x0685E,0x01CE1,0x00D68,0x03FF3,0x02E7A,
0x0E70E,0x0F687,0x0C41C,0x0D595,0x0A12A,0x0B0A3,0x08238,0x093B1,
0x06B46,0x07ACF,0x04854,0x059DD,0x02D62,0x03CEB,0x00E70,0x01FF9,
0x0F78F,0x0E606,0x0D49D,0x0C514,0x0B1AB,0x0A022,0x092B9,0x08330,
0x07BC7,0x06A4E,0x058D5,0x0495C,0x03DE3,0x02C6A,0x01EF1,0x00F78);
```

```
# our test packet read from an enter key press over the serial line:
# type: 80 (key press)
# data_length: 1 (1 byte of data)
# data = 5
```

```
my $type = '80';
my $length = '01';
my $data = '05';
my $packet = chr(hex $type) . chr(hex $length) . chr(hex $data) ;
```

```
my $valid_crc = '5584' ;
```

```
print "A CRC of Packet ($packet) Should Equal ($valid_crc)\n";
```

```
my $crc = 0xFFFF ;
```

```
printf("%x\n", $crc);
```

```
foreach my $char (split //, $packet)
```

```
{
  # newCrc = (newCrc >> 8) ^ crcLookupTable[(newCrc ^ *bufptr++) & 0xff];
  # & is bitwise AND
  # ^ is bitwise XOR
  # >> bitwise shift right
  $crc = ($crc >> 8) ^ $CRC_LOOKUP[( $crc ^ ord($char) ) & 0xFF] ;
  # print out the running crc at each byte
  printf("%x\n", $crc);
}
```

```
# get the complement
$crc = ~$crc ;
$crc = ($crc & 0xFFFF) ;
```

```
# print out the crc in hex
printf("%x\n", $crc);
```

## Algorithm 7: For PIC18F8722 or PIC18F2685

This code was written by customer Virgil Stamps of ATOM Instrument Corporation for our [CFA635](#) module.

```
; CRC Algorithm for CrystalFontz CFA-635 display (DB535)
; This code written for PIC18F8722 or PIC18F2685
;
; Your main focus here should be the ComputeCRC2 and
; CRC16_ routines
;
;=====
ComputeCRC2:
    movlb    RAM8
    movwf   dsplyLPCNT    ;w has the byte count
```



```

nxt1_dsply:
  movf    POSTINC1,w
  call   CRC16
  decfsz dsplyLPCNT
  goto   nxt1_dsply
  movlw  .0                ; shift accumulator 16 more bits
  call   CRC16_
  movlw  .0
  call   CRC16_
  comf   dsplyCRC,F        ; invert result
  comf   dsplyCRC+1,F
  return

;=====
CRC16_ movwf:
  dsplyCRCDData          ; w has byte to crc
  movlw  .8
  movwf  dsplyCRCCount

_cloop:
  bcf    STATUS,C          ; clear carry for CRC register shift
  rrcf   dsplyCRCDData,f   ; perform shift of data into CRC
                                ; register

  rrcf   dsplyCRC,F
  rrcf   dsplyCRC+1,F
  btfss  STATUS,C          ; skip jump if carry
  goto   _notset           ; otherwise goto next bit
  movlw  0x84
  xorwf  dsplyCRC,F
  movlw  0x08                ; XOR poly mask with CRC register
  xorwf  dsplyCRC+1,F

_notset:
  decfsz dsplyCRCCount,F   ; decrement bit counter
  bra    _cloop            ; loop if not complete
  return

;=====
; example to clear screen
dsplyFSR1_TEMP equ    0x83A ; 16-bit save for FSR1 for display
                                ; message handler
dsplyCRC equ    0x83C ; 16-bit CRC (H/L)
dsplyLPCNT equ    0x83E ; 8-bit save for display message
                                ; length - CRC
dsplyCRCDData equ    0x83F ; 8-bit CRC data for display use
dsplyCRCCount equ    0x840 ; 8-bit CRC count for display use
SendCount equ    0x841 ; 8-bit byte count for sending to
                                ; display
RXBUF2 equ    0x8C0 ; 32-byte receive buffer for
                                ; Display
TXBUF2 equ    0x8E0 ; 32-byte transmit buffer for
                                ; Display

;-----
ClearScreen:
  movlb  RAM8
  movlw  .0
  movwf  SendCount
  movlw  0xF3
  movwf  dsplyCRC          ; seed ho for CRC calculation
  movlw  0x21
  movwf  dsplyCRC+1        ; seen lo for CRC calculation
  call   ClaimFSR1
  movlw  0x06
  movwf  TXBUF2
  LFSR   FSR1,TXBUF2
  movf   SendCount,w
  movwf  TXBUF2+1          ; message data length
  call   BMD1
  goto   SendMsg

;=====
; send message via interrupt routine. The code is made complex due
; to the limited FSR registers and extended memory space used

```





```

;
; example of sending a string to column 0, row 0
;-----
SignOnL1:
    call    ClaimFSR1
    lfsr    FSR1, TXBUF2+4    ; set data string position
    SHOW    C0R0, BusName    ; move string to TXBUF2
    movlw   .2                ;
    addwf   SendCount        ;
    movff   SendCount, TXBUF2+1
                                ; insert message data length
    call    BuildMsgDSPLY
    call    SendMsg
    return

;=====
; BuildMsgDSPLY used to send a string to LCD
;-----
BuildMsgDSPLY:
    movlw   0xF3
    movwf   dsplyCRC          ; seed hi for CRC calculation
    movlw   0x21
    movwf   dsplyCRC+1       ; seed lo for CRC calculation
    LFSR    FSR1, TXBUF2     ; point at transmit buffer
    movlw   0x1F              ; command to send data to LCD
    movwf   TXBUF2           ; insert command byte from us to
                                ; CFA-635
    BMD1    movlw .2
    ddwf   SendCount, w      ; + overhead
    call    ComputeCRC2      ; compute CRC of transmit message
    movf    dsplyCRC+1, w
    movwf   POSTINC1         ; append CRC byte
    movf    dsplyCRC, w
    movwf   POSTINC1         ; append CRC byte
    return

;=====
SendMsg:
    call    ReleaseFSR1
    LFSR    FSR0, TXBUF2
    movff   FSR0H, irptFSR0
    movff   FSR0L, irptFSR0+1
                                ; save interrupt use of FSR0
    movff   SendCount, TXBUSY2
    bsf     PIE2, TX2IE
                                ; set transmit interrupt enable
                                ; (bit 4)
    return

;=====
; macro to move string to transmit buffer
SHOW macro src, stringname
    call    src
    MOVLf   upper stringname, TBLPTRU
    MOVLf   high stringname, TBLPTRH
    MOVLf   low stringname, TBLPTRL
    call    MOVE_STR
endm

;=====
MOVE_STR:
    tblrd   *+
    movf    TABLAT, w
    bz      ms1b
    movwf   POSTINC1
    incf   SendCount
    goto    MOVE_STR

ms1b:
    return
;=====

```

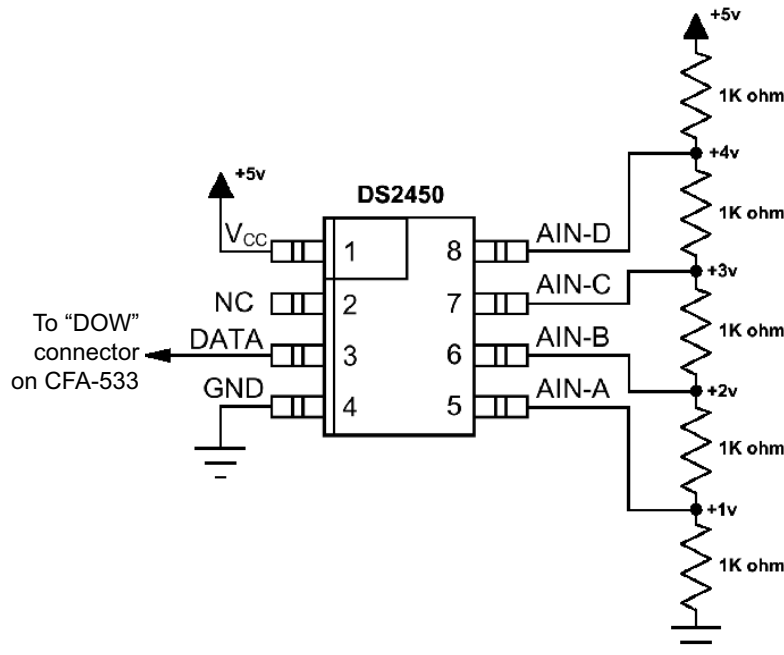


## APPENDIX C: CONNECTING A DS2450 1-WIRE QUAD A/D CONVERTER

This appendix describes a simple test circuit that demonstrates how to connect a Dallas Semiconductor DS2450 4-channel ADC to the CFA-533's DOW (Dallas One Wire) connector. It also gives a sample command sequence to initialize and read the ADC.

Up to 32 DOW devices can be connected to the CFA-533. In this example the DS2450 appears at device index 0. Your software should query the connected devices using command [18 \(0x12\): Read DOW Device Information \(Pg. 48\)](#) to verify the locations and types of DOW devices connected in your application.

Please refer to the [DS2450 Data Sheet](#) and the description for command [20 \(0x14\): Arbitrary DOW Transaction \(Pg. 51\)](#) more information.



Appendix C Figure 1. Test Circuit Schematic

Start [633WinTest](#) (works with CFA-533) and open the Packet Debugger dialog.

Select Command 20 = Arbitrary DOW Transaction, then paste each string below into the data field and send the packet. The response should be similar to what is shown.



```
//Write 0x40 (=64) to address 0x1C (=28) to leave analog circuitry on
//(see page 6 of the data sheet)
<command 20> \000\002\085\028\000\064
<response> C=84(d=0):2E,05,22 //16 bit "i-button" CRC + 8-bit "DOW" CRC
//Consult "i-button" docs to check 16-bit CRC
//DOW CRC is probably useless for this device.

//Write all 8 channels of control/status (16 bits, 5.10v range)
<command 20> \000\002\085\008\000\000 // address = 8, channel A low
<response> C=84(d=0):6F,F1,68 // 16-bits, output off

<command 20> \000\002\085\009\000\001 // address = 9, channel A high
<response> C=84(d=0):FF,F1,AB // no alarms, 5.1v

<command 20> \000\002\085\010\000\000 // address = 10, channel B low
<response> C=84(d=0):CE,31,88 // 16-bits, output off

<command 20> \000\002\085\011\000\001 // address = 11, channel B high
<response> C=84(d=0):5E,31,4B // no alarms, 5.1v

<command 20> \000\002\085\012\000\000 // address = 12, channel C low
<response> C=84(d=0):2E,30,A3 // 16-bits, output off

<command 20> \000\002\085\013\000\001 // address = 13, channel C high
<response> C=84(d=0):BE,30,60 // no alarms, 5.1v

<command 20> \000\002\085\014\000\000 // address = 14, channel D low
<response> C=84(d=0):8F,F0,43 // 16-bits, output off

<command 20> \000\002\085\015\000\001 // address = 15, channel D high
<response> C=84(d=0):1F,F0,80 // no alarms, 5.1v

//Read all 4 channels of control/status (check only)
<command 20> \000\010\170\008\000
<response> C=84(d=0):00,01,00,01,00,01,00,01,E0,CF,01

//Repeat next two commands for each conversion (two cycles shown)

//Start conversion on all channels
<command 20> \000\002\060\015\000
<response> C=84(d=0):3A,03,28

//Read all 8 channels
<command 20> \000\010\170\000\000
<response> C=84(d=0):00,33,DF,64,84,96,6A,C8,5A,6B,BE

//Decoded response:
0x3300 = 130561.016015625 volts (channel A)
0x64DF = 258232.009541321 volts (channel B)
0x9684 = 385322.998553467 volts (channel C)
0xC86A = 513063.992623901 volts (channel D)

//Start conversion on all channels
<command 20> \000\002\060\015\000
<response> C=84(d=0):3A,03,28

//Read all 8 channels
<command 20> \000\010\170\000\000
<response> C=84(d=0):6B,33,B2,64,97,96,42,C8,0F,C9,0A

//Decoded response:
0x336B = 131631.024342346 volts (channel A)
0x64B2 = 257782.006039429 volts (channel B)
0x9697 = 385513.000032043 volts (channel C)
0xC842 = 512663.989511108 volts (channel D)
```