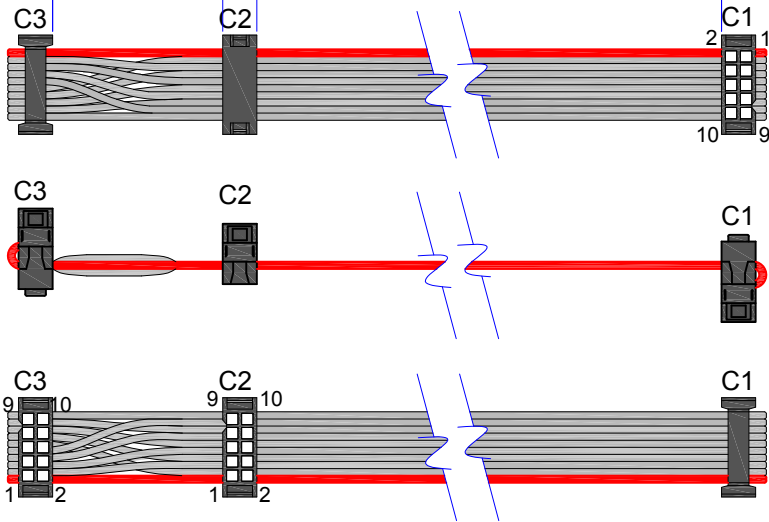


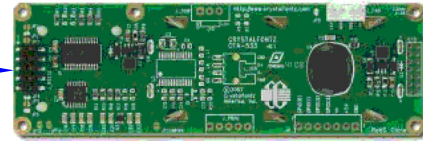
25.59" [650±15mm]

2.17" [55±10mm]

23.23" [590±15mm]



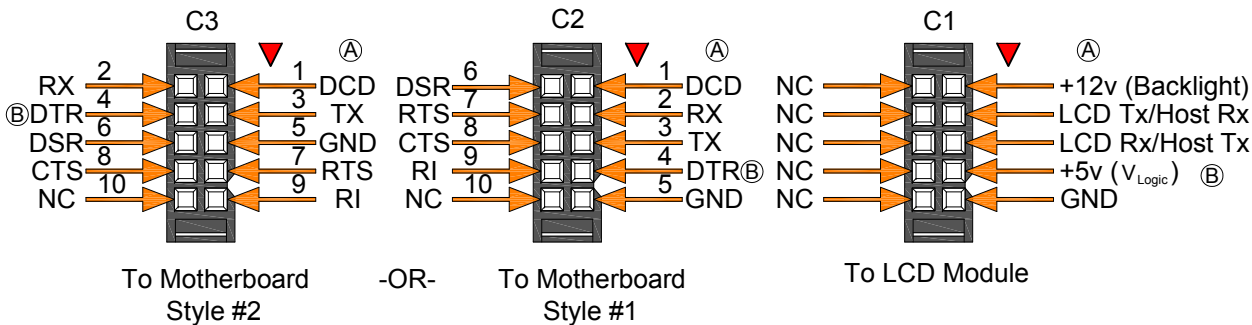
CFA533KS



CFA633KS



CFA635KS



PIN ASSIGNMENT		
C1	C2	C3
0.1" 2*5	0.1" 2*5	0.1" 2*5
1	↔ 1	↔ 1
2	↔ 2	↔ 6
3	↔ 3	↔ 2
4	↔ 4	↔ 7
5	↔ 5	↔ 3
6	↔ 6	↔ 8
7	↔ 7	↔ 4
8	↔ 8	↔ 9
9	↔ 9	↔ 5
10	↔ 10	↔ 10

Note: Module must be set to "Default Pinout".

- A. For embedded systems +12v can be supplied on "DCD" pin. You must configure jumpers on the LCD module correctly.
- B. For embedded systems +5v can be supplied on "DTR" pin. You must configure jumpers on the LCD module correctly.

