



TFT GRAPHIC DISPLAY MODULE DATASHEET



Datasheet Release Date 2017-12-04
for
CFAF240320X0-020T

Crystalfontz America, Inc.

12412 East Saltese Avenue
Spokane Valley, WA 99216-0357
Phone: 888-206-9720
Fax: 509-892-1203
Email: support@crystalfontz.com
URL: www.crystalfontz.com

CONTENTS

1. General Information	3
2. Module Description	4
3. Features	4
4. Mechanical Data	4
5. Mechanical Drawing	5
6. Interface Pin Function	6
7. System Block Diagram	7
8. Absolute Maximum Ratings	8
9. DC Characteristics	8
10. Optical Characteristics	8
11. Backlight Characteristics	9
12. AC Characteristics	10
12.1. Display Parallel 8/16-Bit Interface Timing Characteristics (8080 System)	10
12.2. CSX Timings	11
12.3. Display Serial Interface Timing Characteristics (3-Line SPI System)	12
12.4. Display Serial Interface Timing Characteristics (4-Line System)	13
12.5. Parallel RGB Interface Timing Characteristics	14
12.6. Reset Timing Characteristics	15
13. LCD Module Precautions	16
13.1. Modules	16
13.2. Handling Precautions	16
13.3. Storing Precautions	17
13.4. Designing Precautions	17
13.5. Disposing Precautions	17
13.6. Other Precautions	17

1. General Information

Datasheet Revision History

Datasheet Release: **2017-12-04**
Datasheet for the CFAF240320X0-020T TFT graphic display module.

Product Change Notifications

You can check for or subscribe to [Part Change Notices](#) for this display module on our website.

Variations

Slight variations between lots are normal (e.g., contrast, color, or intensity).

Volatility

This display module has volatile memory.

Disclaimer

Certain applications using Crystalfontz America, Inc. products may involve potential risks of death, personal injury, or severe property or environmental damage ("Critical Applications"). CRYSTALFONTZ AMERICA, INC. PRODUCTS ARE NOT DESIGNED, INTENDED, AUTHORIZED, OR WARRANTED TO BE SUITABLE FOR USE IN LIFE-SUPPORT APPLICATIONS, DEVICES OR SYSTEMS OR OTHER CRITICAL APPLICATIONS. Inclusion of Crystalfontz America, Inc. products in such applications is understood to be fully at the risk of the customer. In order to minimize risks associated with customer applications, adequate design and operating safeguards should be provided by the customer to minimize inherent or procedural hazard. Please contact us if you have any questions concerning potential risk applications.

Crystalfontz America, Inc. assumes no liability for applications assistance, customer product design, software performance, or infringements of patents or services described herein. Nor does Crystalfontz America, Inc. warrant or represent that any license, either express or implied, is granted under any patent right, copyright, or other intellectual property right of Crystalfontz America, Inc. covering or relating to any combination, machine, or process in which our products or services might be or are used.

All specifications in datasheets on our website are, to the best of our knowledge, accurate but not guaranteed. Corrections to specifications are made as any inaccuracies are discovered.

Company and product names mentioned in this publication are trademarks or registered trademarks of their respective owners.

Copyright © 2017 by Crystalfontz America, Inc., 12412 East Saltese Avenue, Spokane Valley, WA 99216 U.S.A.

2. Module Description

This is a full color active matrix TFT LCD that uses an amorphous silicon TFT as a switching device. This display is composed of a transmissive TFT-LCD panel, driver circuit, and a white LED backlight. This display has a built-in Sitronix ST7789V controller.

Please see [Sitronix ST7789V LCD Controller Datasheet](#) for further reference.

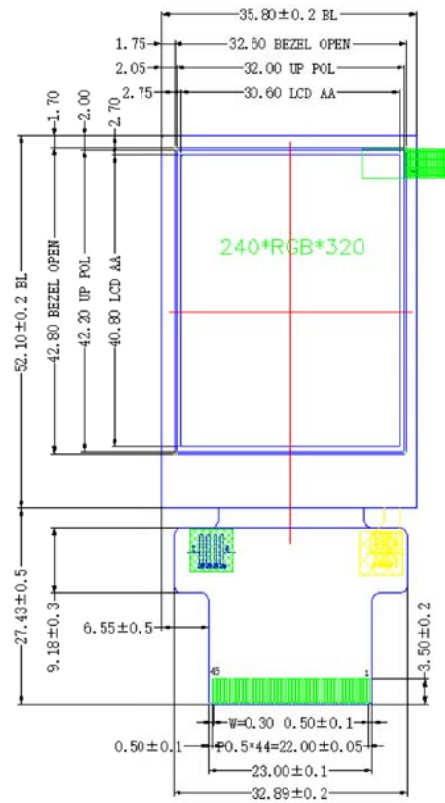
3. Features

- 240*320 Dot Matrix
- Display Colors: 65K/262K
- Viewing Direction: All
- Diagonal Dimension: 2.0 inches
- +3.3V Power Supply
- Built-in Controller: ST7789V (or equivalent)
- Operating Temperature: -20°C to +70°C
- Storage Temperature: -30°C to +80°C
- Interface: 8/9/16/18-Bit MCU, 3/4 SPI + 16/18-Bit RGB, 3-Line/4-Line Serial

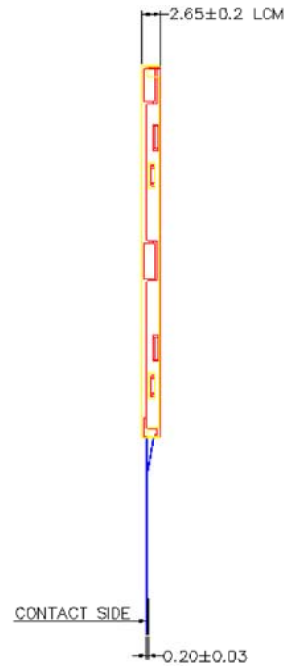
4. Mechanical Data

Item	Specification (mm)	Specification (inch, reference)
Overall Width and Height	35.8 (W) x 52.1 (H) x 2.65 (D)	1.409 (W) x 2.051 (H) x 0.104 (D)
Active Area	30.6 (W) x 40.8 (H)	1.205 (W) x 1.606 (H)
Dot Pitch	0.128 (W) x 0.128 (H)	0.005 (W) x 0.005 (H)
Pixel Arrangement	RGB Vertical Stripe	-
Display Mode	Transmissive	-
Weight (Typical)	10.9 grams	0.38 ounces

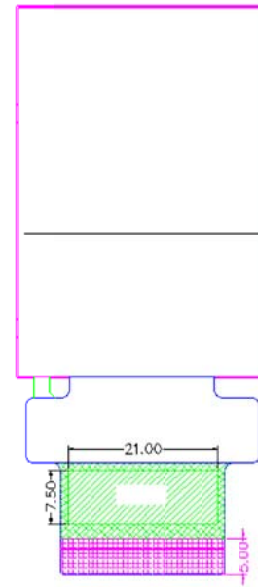
Front View



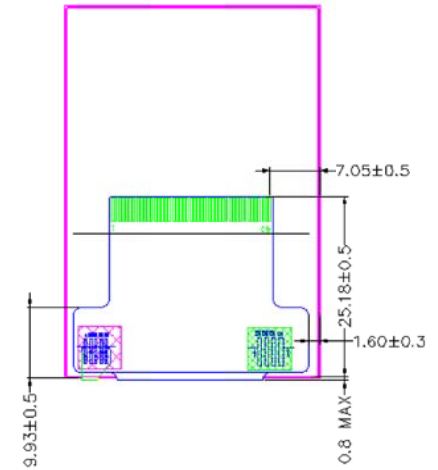
Side View



Back View



Bend View



Tolerance is ±0.3mm unless specified.



PART NUMBER(S)
CFAF240320X0-020T
DRAWING NUMBER
CFAF240320X0-020T master

SCALE
Not to Scale
UNITS
Millimeters

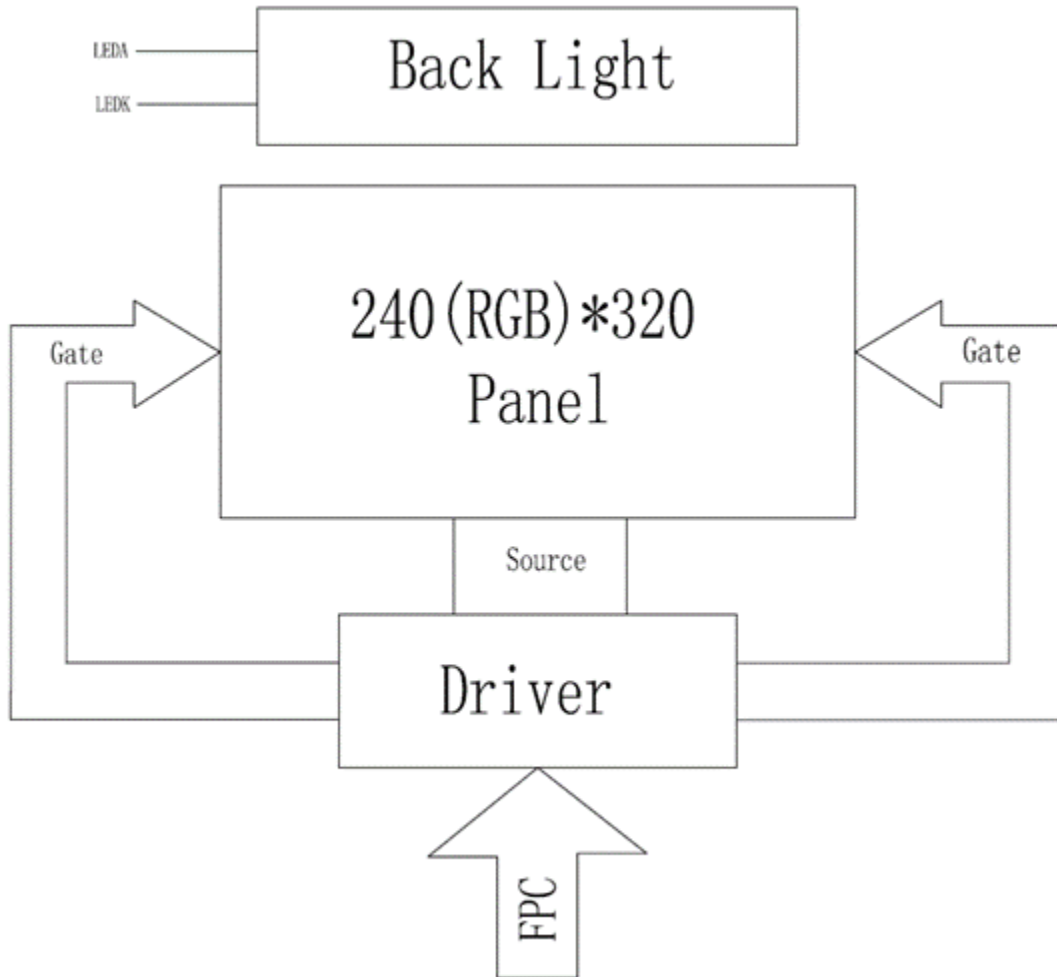
COPYRIGHT © 2017 BY
CRYSTALFONTZ AMERICA, INC.
WWW.CRYSTALFONTZ.COM
DATE
2017-12-04

6. Interface Pin Function

Pin No.	Symbol	Level	Function
1	GND	P	Ground
2	VCI	P	Supply Voltage (3.3v)
3	IOVCC	P	Supply Voltage (1.65-3.3v)
4	IM2	I	MPU Parallel Interface Bus and Serial Interface Select. If using RGB Interface you must select serial interface. Fix this pin at IOVCC and GND.
5	IM1	I	
6	IM0	I	
7	RESET	I	This signal will reset the device. Must be applied to properly initialize the chip.
8	CS	I	Chip Select Input Pin ("Low" enable). Fix this pin at IOVCC or GND when not in use.
9	DC (SPI-SCL)	I	Display Data/Command Selection Pin in Parallel Interface. This pin is used for Serial Interface Clock. DC='1': Display Data or Parameter. DC='0': Command Data. If not used, fix this pin at IOVCC or DGND.
10	WR (SPI-RS)	I	Write Enable in MCU Parallel Interface. Display Data/Command Selection Pin in 4-line Serial Interface. Second Data Lane in 2 Data Lane Serial Interface. If not used, fix this pin at IOVCC or DGND.
11	RD	I	Serves as a Read Signal and MCU Read Data at the Rising Edge. If not used, fix this pin at IOVCC or GND.
12	VSYNC	I	Frame Synchronizing Signal for RGB Interface Operation. If not used, fix this pin at IOVCC or GND.
13	HSYNC	I	Line synchronizing signal for RGB interface operation. If not used, fix this pin at IOVCC or GND.
14	ENABLE	I	Data Enable Signal for RGB Interface Operation. If not used, fix this pin at IOVCC or GND.
15	DOTCLK	I	Dot Clock Signal for RGB Interface Operation. If not used, fix this pin at IOVCC or GND.
16	SDA	I	The Data is Latched on the Rising Edge of the SCL Signal. If not used, fix this pin to IOVCC or GND.
17-34	DB0-DB17	I/O	18-Bit Parallel Bi-directional Data Bus for MCU System and RGB Interface Mode.
35	SDO	O	SPI Interface Output Pin The Data is Output on the Falling Edge of the SCL Signal.
36	LEDA	P	Anode Pin of Backlight
37	LEDK1	P	Cathode Pin of Backlight
38	LEDK2	P	Cathode Pin of Backlight
39	LEDK3	P	Cathode Pin of Backlight
40	LEDK4	P	Cathode Pin of Backlight
41	XR	A/D	Touch Panel, Left Glass Terminal (No Touchscreen = No Connection)
42	YU	A/D	Touch Panel, Top Film Glass Terminal (No Touchscreen = No Connection)
43	XL	A/D	Touch Panel, Right Glass Terminal (No Touchscreen = No Connection)
44	YD	A/D	Touch Panel, Bottom Film Glass Terminal (No Touchscreen = No Connection)
45	GND	P	Ground



7. System Block Diagram



8. Absolute Maximum Ratings

Parameter	Symbol	Min	Max	Unit	Notes
Digital Supply Voltage	V _{CI}	-0.3	4.6	V	(1)(2)
Digital Interface Supply Voltage	IOVCC	-0.3	4.6	V	(1)(2)
Operating Temperature	T _{OP}	-20	+70	°C	-
Storage Temperature	T _{ST}	-30	+80	°C	-

Notes:

- (1) These are stress ratings only. Extended exposure to the absolute maximum ratings listed above may affect device reliability or cause permanent damage.
- (2) Functional operation should be restricted to the limits in the DC Characteristics table below.

9. DC Characteristics

Item	Symbol	Min	Typ	Max	Unit
Digital Supply Voltage	V _{CI}	2.4	3.3	3.3	V
Digital Interface Supply Voltage	IOVCC	1.65	3.3	3.3	V
Normal Mode Current Consumption	I _{CI}	-	7	-	mA
High-level Input	V _{IH}	0.7 IOVCC	-	IOVCC	V
Low-level Input	V _{IL}	GND	-	0.3 IOVCC	V
High-level Output	V _{OH}	0.8 IOVCC	-	IOVCC	V
Low-level Output	V _{OL}	GND	-	0.2 IOVCC	V

10. Optical Characteristics

Item	Symbol	Condition	Min	Typ	Max	Unit	
Contrast Ratio	CR	Θ=0 Normal Viewing Angle	250	350	-	-	
Response Time	Rising		Tr		20	30	μs
	Falling		Tf		20	30	μs
Color Gamut	S	-	-	60	-	%	
Color Filter Chromaticity	White	Wx	-	0.280	0.320	0.340	
		Wy		0.327	0.367	0.407	
	Red	Rx		0.580	0.620	0.640	
		Ry		0.342	0.362	0.382	
	Green	Gx		0.331	0.351	0.371	
		Gy		0.588	0.608	0.628	
	Blue	Bx		0.131	0.151	0.171	
		By		0.102	0.122	0.142	
Viewing Angle	Horizontal	Θ _L	CR>10	40	50	-	-
		Θ _R		40	50	-	
	Vertical	Θ _U		40	50	-	
		Θ _D		25	50	-	
Viewing Direction	All						

11. Backlight Characteristics

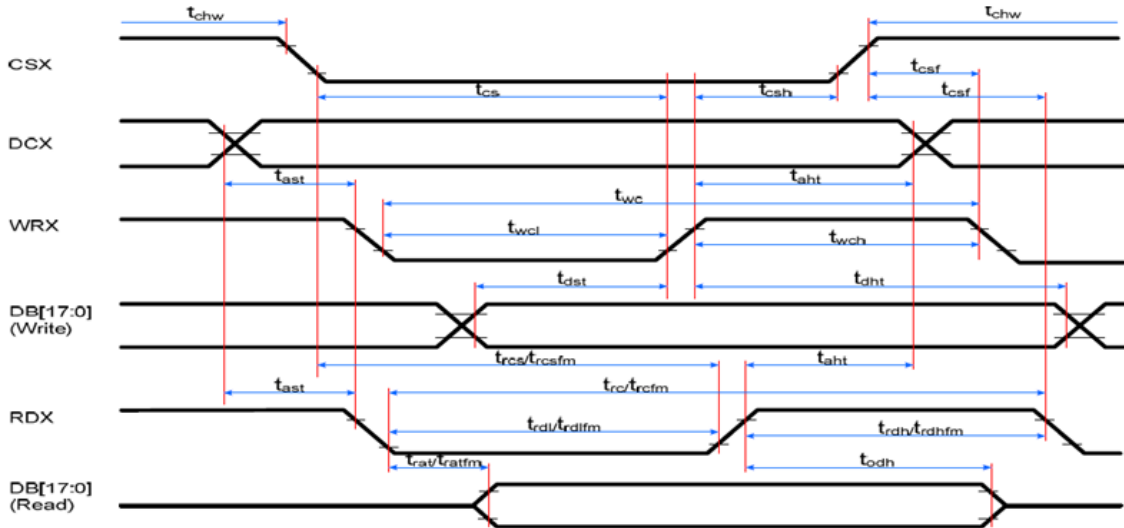
Item	Symbol	Min	Typ	Max	Unit	Notes
Forward Current	I_F	60	80	-	mA	(1)
Forward Voltage	V_F	-	3.2	-	V	-
LCM Luminance	L_v	400	450	-	cd/m ²	(3)
LED Lifetime	Hr.	50K	-	-	Hour	(2)
Uniformity	AV_G	80	-	-	%	(3)
Color	White					

Notes:

- (1) Forward current minimum value is only for reference since the LED brightness efficiency keeps enhancing. Current consumption becomes less and less to achieve the same luminance.
- (2) Lifetime is defined as the amount of time when the luminance has decayed to <50% of the initial value (50K hours is an estimate for reference only).
- (3) Uniformity equals min/max luminance in 9 points (1-9) – total luminance of 9 points is 9.

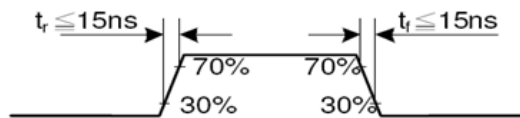
12. AC Characteristics

12.1. Display Parallel 8/16-Bit Interface Timing Characteristics (8080 System)



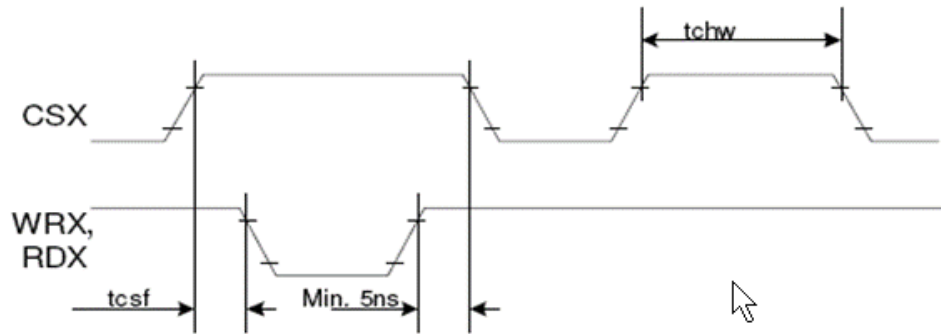
Signal	Symbol	Parameter	min	max	Unit	Description
DCX	tast	Address setup time	0	-	ns	
	taht	Address hold time (Write/Read)	10	-	ns	
CSX	tchw	CSX "H" pulse width	0	-	ns	
	tcs	Chip Select setup time (Write)	15	-	ns	
	trcs	Chip Select setup time (Read ID)	45	-	ns	
	trcsfm	Chip Select setup time (Read FM)	355	-	ns	
WRX	tcsf	Chip Select Wait time (Write/Read)	10	-	ns	
	twc	Write cycle	66	-	ns	
	twrl	Write Control pulse L duration	15	-	ns	
RDX (FM)	trcfm	Read Cycle (FM)	450	-	ns	
	trdhf	Read Control H duration (FM)	90	-	ns	
	trdlf	Read Control L duration (FM)	355	-	ns	
RDX (ID)	trc	Read cycle (ID)	160	-	ns	
	trdh	Read Control pulse H duration	90	-	ns	
	trdl	Read Control pulse L duration	45	-	ns	
D[17:0], D[15:0], D[8:0], D[7:0]	tdst	Write data setup time	10	-	ns	For maximum CL=30pF For minimum CL=8pF
	tdht	Write data hold time	10	-	ns	
	trat	Read access time	-	40	ns	
	tratfm	Read access time	-	340	ns	
	trod	Read output disable time	20	80	ns	

Note: $T_a = -30$ to 70 °C, $IOVCC=1.65V$ to $2.8V$, $VCI=2.6V$ to $3.3V$, $GND=0V$



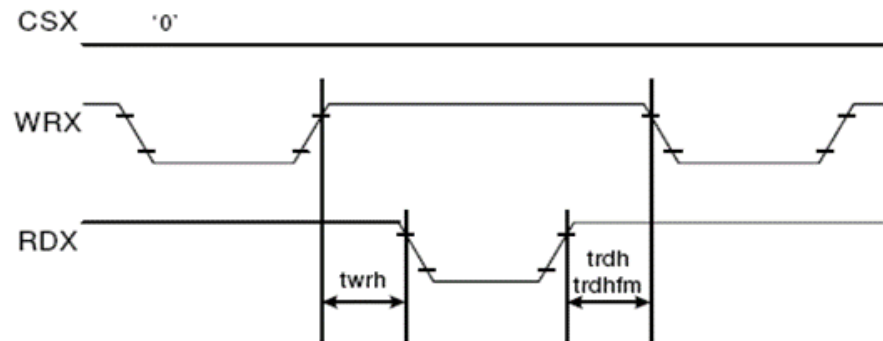


12.2. CSX Timings



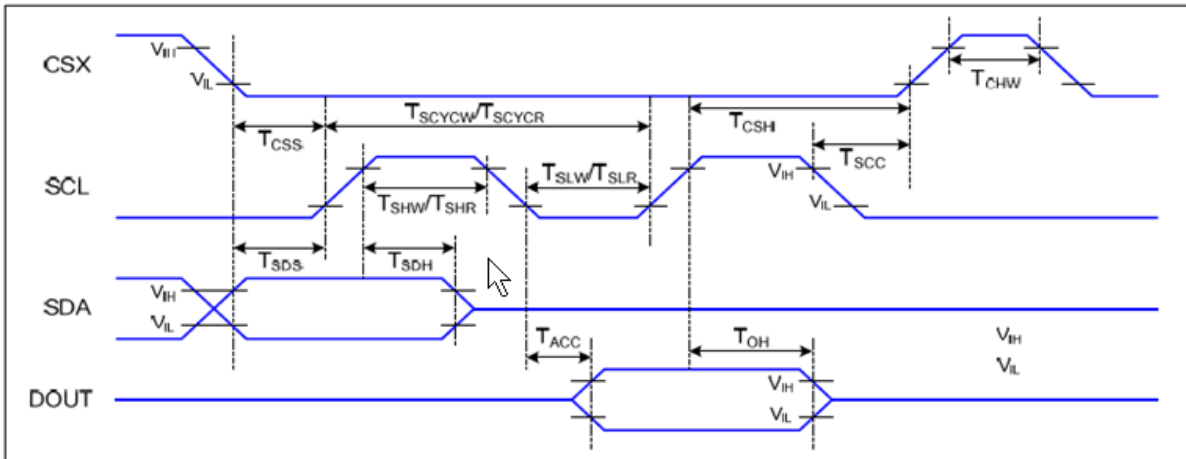
Note: Logic high and low levels are specified as 30% and 70% of IOVCC for Input signals.

Write to read or read to write timings:



Note: Logic high and low levels are specified as 30% and 70% of IOVCC for Input signals.

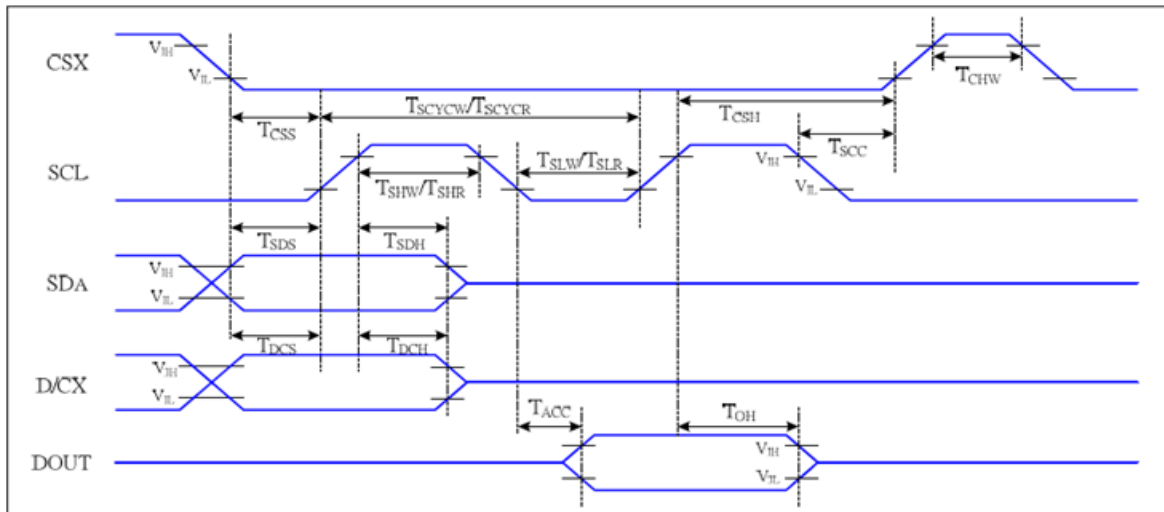
12.3. Display Serial Interface Timing Characteristics (3-Line SPI System)



VDDI=1.65 to 3.3V, VDD=2.4 to 3.3V, AGND=DGND=0V, Ta=-30 to 70 °C

Signal	Symbol	Parameter	Min	Max	Unit	Description
CSX	T_{CSS}	Chip select setup time (write)	15		ns	
	T_{CSH}	Chip select hold time (write)	15		ns	
	T_{CSS}	Chip select setup time (read)	60		ns	
	T_{SCC}	Chip select hold time (read)	65		ns	
	T_{CHW}	Chip select "H" pulse width	40		ns	
SCL	T_{SCYCW}	Serial clock cycle (Write)	66		ns	
	T_{SHW}	SCL "H" pulse width (Write)	15		ns	
	T_{SLW}	SCL "L" pulse width (Write)	15		ns	
	T_{SCYCR}	Serial clock cycle (Read)	150		ns	
	T_{SHR}	SCL "H" pulse width (Read)	60		ns	
	T_{SLR}	SCL "L" pulse width (Read)	60		ns	
SDA (DIN)	T_{SDS}	Data setup time	10		ns	
	T_{SDH}	Data hold time	10		ns	
DOUT	T_{ACC}	Access time	10	50	ns	For maximum CL=30pF
	T_{OH}	Output disable time	15	50	ns	For minimum CL=8pF

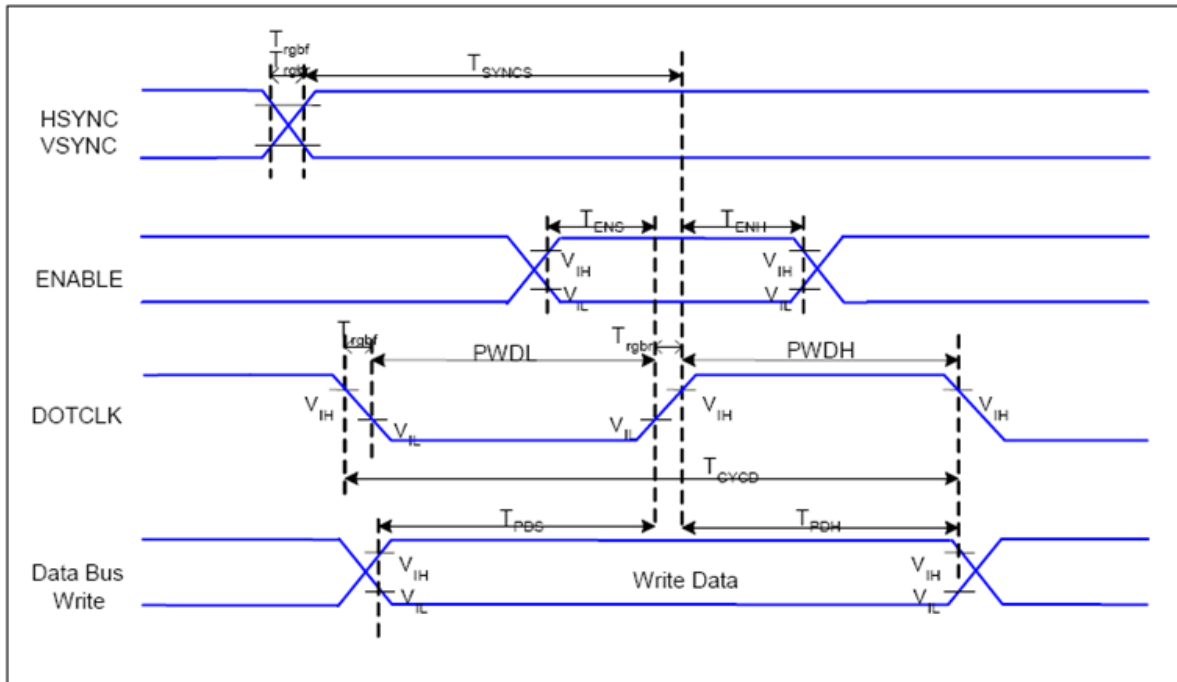
12.4. Display Serial Interface Timing Characteristics (4-Line System)



VDDI=1.65 to 3.3V, VDD=2.4 to 3.3V, AGND=DGND=0V, Ta=-30 to 70 °C

Signal	Symbol	Parameter	MIN	MAX	Unit	Description
CSX	T _{CSS}	Chip select setup time (write)	15		ns	
	T _{CSH}	Chip select hold time (write)	15		ns	
	T _{CSS}	Chip select setup time (read)	60		ns	
	T _{SCC}	Chip select hold time (read)	65		ns	
	T _{CHW}	Chip select "H" pulse width	40		ns	
SCL	T _{SCYCW}	Serial clock cycle (Write)	66		ns	-write command & data ram
	T _{SHW}	SCL "H" pulse width (Write)	15		ns	
	T _{SLW}	SCL "L" pulse width (Write)	15		ns	
	T _{SCYCR}	Serial clock cycle (Read)	150		ns	-read command & data ram
	T _{SHR}	SCL "H" pulse width (Read)	60		ns	
	T _{SLR}	SCL "L" pulse width (Read)	60		ns	
D/CX	T _{DCS}	D/CX setup time	10		ns	
	T _{DCH}	D/CX hold time	10		ns	
SDA (DIN)	T _{SDS}	Data setup time	10		ns	
	T _{SDH}	Data hold time	10		ns	
DOUT	T _{ACC}	Access time	10	50	ns	For maximum CL=30pF
	T _{OH}	Output disable time	15	50	ns	For minimum CL=8pF

12.5. Parallel RGB Interface Timing Characteristics

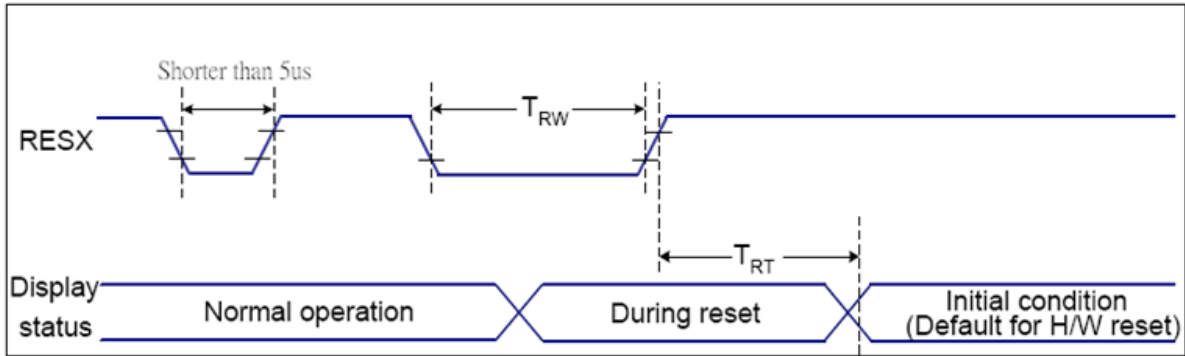


VDDI=1.65 to 3.3V, VDD=2.4 to 3.3V, AGND=DGND=0V, Ta=-30 ~ 70 °C

Signal	Symbol	Parameter	MIN	MAX	Unit	Description
HSYNC, VSYNC	T_{SYNCS}	VSYNC, HSYNC Setup Time	30	-	ns	
ENABLE	T_{ENHS}	Enable Setup Time	25	-	ns	
	T_{ENHL}	Enable Hold Time	25	-	ns	
DOTCLK	PWDH	DOTCLK High-level Pulse Width	60	-	ns	
	PWDL	DOTCLK Low-level Pulse Width	60	-	ns	
	T_{CYCD}	DOTCLK Cycle Time	120	-	ns	
	Trghr, Trghf	DOTCLK Rise/Fall time	-	20	ns	
DB	T_{PDS}	PD Data Setup Time	50	-	ns	
	T_{PDH}	PD Data Hold Time	50	-	ns	



12.6. Reset Timing Characteristics



VDDI=1.65 to 3.3V, VDD=2.4 to 3.3V, AGND=DGND=0V, Ta=-30 ~ 70 °C

Related Pins	Symbol	Parameter	MIN	MAX	Unit
RESX	TRW	Reset pulse duration	10	-	us
	TRT	Reset cancel	-	5 (Note 1, 5) 120 (Note 1, 6, 7)	ms

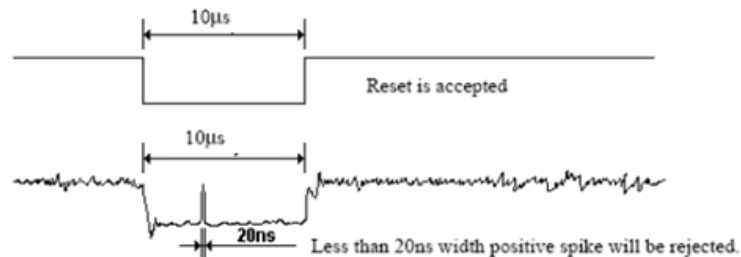
Notes:

1. The reset cancel includes also required time for loading ID bytes, VCOM setting and other settings from NVM (or similar device) to registers. This loading is done every time when there is HW reset cancel time (tRT) within 5 ms after a rising edge of RESX.
2. Spike due to an electrostatic discharge on RESX line does not cause irregular system reset according to the table below:

RESX Pulse	Action
Shorter than 5us	Reset Rejected
Longer than 9us	Reset
Between 5us and 9us	Reset starts

3. During the Resetting period, the display will be blanked (The display is entering blanking sequence, which maximum time is 120 ms, when Reset Starts in Sleep Out -mode. The display remains the blank state in Sleep In -mode.) and then return to Default condition for Hardware Reset.

4. Spike Rejection also applies during a valid reset pulse as shown below:



5. When Reset applied during Sleep In Mode.
6. When Reset applied during Sleep Out Mode.
7. It is necessary to wait 5msec after releasing RESX before sending commands. Also Sleep Out command cannot be sent for 120msec.

13. LCD Module Precautions

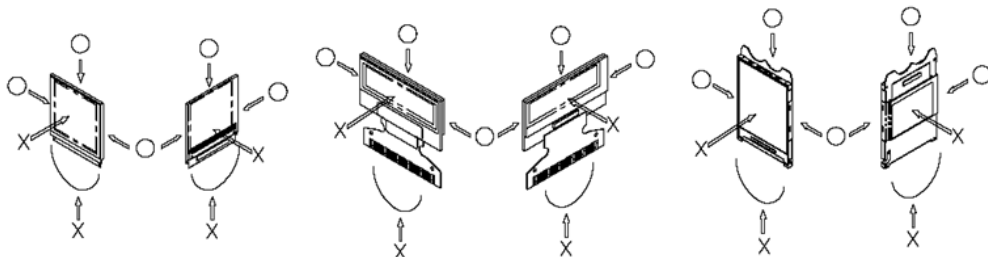
The precautions below should be followed when using LCD modules to help ensure personal safety, module performance, and compliance of environmental regulations.

13.1. Modules

- Avoid applying excessive shocks to module or making any alterations or modifications to it.
- Do not make extra holes on the printed circuit board, modify its shape or change the components of LCD display module.
- Do not disassemble the LCD display module.
- Do not operate the LCD display module above the absolute maximum rating.
- Do not drop, bend or twist the LCD display module.
- Soldering: only to the I/O terminals.
- Store in an anti-static electricity container and clean environment.
- It is common to use the "screen saver" to extend the lifetime of the LCD display module.
 - Do not use the fixed information for long periods of time in real application.
 - Do not use fixed information in LCD panel for long periods of time to extend "screen burn" effect time.
- Crystalfontz has the right to change the passive components, including R2 and R3 adjust resistors. (Resistors, capacitors and other passive components will have different appearance and color caused by the different supplier.)
- Crystalfontz have the right to change the PCB Rev. (In order to satisfy the supplying stability, management optimization and the best product performance, etc., under the premise of not affecting the electrical characteristics and external dimensions, Crystalfontz has the right to modify the version.)

13.2. Handling Precautions

- Since the display panel is made of glass, do not apply mechanical impacts such as dropping from a high position.
- If the display panel is accidentally broken, and the internal organic substance leaks out, be careful not to inhale or touch the organic substance.
- If pressure is applied to the display surface or its neighborhood of the LCD display module, the cell structure may be damaged, so be careful not to apply pressure to these sections.
- The polarizer covering the surface of the LCD display module is soft and can be easily scratched. Please be careful when handling the LCD display module.
- Clean the surface of the polarizer covering the LCD display module if it becomes soiled using following adhesion tape.
 - Scotch Mending Tape No. 810 or an equivalent
 - Never breathe the soiled surface or wipe the surface using a cloth containing solvent such as ethyl alcohol, since the surface of the polarizer will become cloudy.
 - The following liquids/solvents may spoil the polarizer:
 - Water
 - Ketone
 - Aromatic Solvents
- Hold the LCD display module very carefully when placing the LCD display module into the system housing.
- Do not apply excessive stress or pressure to the LCD display module. And, do not over bend the film with electrode pattern layouts. These stresses will influence the display performance. Also, be sure to secure the sufficient rigidity for the outer cases.





- Do not apply stress to the LSI chips and the surrounding molded sections.
- Do not disassemble or modify the LCD display module.
- Do not apply input signals while the logic power is off.
- Pay sufficient attention to the working environments when handing the LCD display module to prevent occurrence of element breakage accidents by static electricity.
 - Be sure to make human body grounding when handling LCD display modules.
 - Be sure to ground tools to use for assembly such as soldering irons.
 - To suppress generation of static electricity, avoid carrying out assembly work under dry environments.
 - Protective film is being applied to the surface of the display panel of the LCD display module. Be careful since static electricity may be generated when exfoliating the protective film.
- Protection film is being applied to the surface of the display panel and removes the protection film before assembling it. At this time, if the LCD display module has been stored for a long period of time, residue adhesive material of the protection film may remain on the surface of the display panel after the film has been removed. In such a case, remove the residue material by the method discussed above.
- If electric current is applied when the LCD display module is being dewed or when it is placed under high humidity environments, the electrodes may become corroded. If this happens proceed with caution when handling the LCD display module.

13.3. Storing Precautions

- When storing the LCD display modules put them in static electricity preventive bags to avoid exposure to direct sunlight and fluorescent lamps. Also avoid high temperature and high humidity environments and low temperatures (less than 0°C) environments. (We recommend you store these modules in the packaged state when they were shipped from Crystalfontz). Be careful not to let water drops adhere to the packages or bags, and do not let dew gather on them.
- If electric current is applied when water drops are adhering to the surface of the LCD display module the LCD display module may have become dewed. If a dewed LCD display module is placed under high humidity environments it may cause the electrodes to become corroded. If this happens proceed with caution when handling the LCD display module.

13.4. Designing Precautions

- The absolute maximum ratings are the ratings that cannot be exceeded for LCD display module. If these values are exceeded, panel damage may happen.
- To prevent occurrence of malfunctioning by noise pay attention to satisfy the V_{IL} and V_{IH} specifications and, at the same time, to make the signal line cable as short as possible.
- We recommend that you install excess current preventive unit (fuses, etc.) to the power circuit (V_{DD}). (Recommend value: 0.5A)
- Pay sufficient attention to avoid occurrence of mutual noise interference with the neighboring devices.
- As for EMI, take necessary measures on the equipment side.
- When fastening the LCD display module, fasten the external plastic housing section.
- If the power supply to the LCD display module is forcibly shut down, by such errors as taking out the main battery while the LCD display panel is in operation, we cannot guarantee the quality of this LCD display module.
 - Connection (contact) to any other potential than the above may lead to rupture of the IC.

13.5. Disposing Precautions

- Request the qualified companies to handle the industrial wastes when disposing of the LCD display modules. Or, when burning them, be sure to observe the environmental and hygienic laws and regulations.

13.6. Other Precautions

- When an LCD display module is operated for a long period of time with a fixed pattern, the fixed pattern may remain as an after image or a slight contrast deviation may occur.
 - If the operation is interrupted and left unused for a while, normal state can be restored.
 - This will not cause a problem in the reliability of the module.



- To protect the LCD display module from performance drops by static electricity rapture, etc., do not touch the following sections whenever possible while handling the LCD display modules.
 - Pins and electrodes
 - Pattern layouts such as the TCP & FPC
- With this LCD display module, the LCD driver is being exposed. Generally speaking, semiconductor elements change their characteristics when light is radiated according to the principle of the solar battery. Consequently, if this LCD driver is exposed to light, malfunctioning may occur.
 - Design the product and installation method so that the LCD driver may be shielded from light in actual usage.
 - Design the product and installation method so that the LCD driver may be shielded from light during the inspection processes.
- Although this LCD display module stores the operation state data by the commands and the indication data, when excessive external noise, etc. enters into the module, the internal status may be changed. Therefore, it is necessary to take appropriate measures to suppress noise generation or to protect from influences of noise on the system design.
- We recommend that you construct its software to make periodical refreshment of the operation statuses (re-setting of the commands and re-transference of the display data), to cope with catastrophic noise.
- Resistors, capacitors, and other passive components will have different appearance and color caused by the different supplier.
- Crystalfontz has the right to upgrade and modify the product function.
- The limitation of FPC bending:

