



Crystalfontz America, Incorporated

SERIAL LCD MODULE SPECIFICATIONS



Crystalfontz Model Number	CFA635-YYE-KS
Hardware Version	Part 1: CFA-635 LCD Module Revision 1.0, August 2005 Part 2: CFA-RS232-01 Serial Converter Revision 1.0, June 2005
Firmware Version	Revision s1.3, June 2005
Data Sheet Version	Revision 1.0, May 2007
Product Pages	http://www.crystalfontz.com/products/635/index.html
Customer Name	

Crystalfontz America, Incorporated

12412 East Saltese Avenue
Spokane Valley, WA 99216-0357

Phone: (888) 206-9720

Fax: (509) 892-1203

Email: techinfo@crystalfontz.com

URL: www.crystalfontz.com



REVISION HISTORY

HARDWARE PART 1: CFA-635 LCD MODULE (CFA635-YYE-KS identical to USB version CFA635-YYE-KU)	
2005/08/01	Start Public Version Tracking. Current Hardware Revision: v1.0

HARDWARE PART 2: CFA-RS232-01 SERIAL CONVERTER (mounted on CFA-635 LCD module)	
2006/01/01	Current Hardware Revision: v1.0 New hardware.

FIRMWARE	
2005/06/01	Current Firmware Revision: s1.3 New firmware. (CFA-635 v1.3 USB module firmware was modified for this serial module.) Command 1: Get Hardware & Firmware Version returns: "CFA635:h1.0,s1.3"

DATA SHEET	
2007/05/15	Current Data Sheet Revision: v1.0 New Data Sheet.



The information in this publication is deemed accurate but is not guaranteed.

Company and product names mentioned in this publication are trademarks or registered trademarks of their respective owners.

© 2007 CrystalFontz America, Inc., 12412 East Saltese Avenue, Spokane Valley, WA 99212-0357 U.S.A.



CONTENTS

INTRODUCTION	6
MAIN FEATURES	6
Module Classification Information	7
Ordering Information	7
MECHANICAL SPECIFICATIONS	8
Physical Characteristics	8
Two Parts: CFA-635 Serial LCD Module and CFA-RS232-01 Serial Converter	9
Connector Descriptions	9
CFA-RS232-01 Serial Converter Connectors	10
CFA-635 Serial LCD Module Connectors	11
Module Outline Drawing	12
Jumper Locations and Functions	13
Keypad Outline Drawing	14
ELECTRICAL SPECIFICATIONS	15
System Block Diagram	15
Viewing Direction	16
Driving Method	16
Absolute Maximum Ratings	16
DC Characteristics	16
Typical Current Consumption	17
ESD (Electro-Static Discharge) Specifications	17
Additional Criteria	18
Pin Assignments (Default and Alternate) on CFA-RS232-01 "J1" Connector	18
Pin Assignments on CFA-RS232-01 "J2" Connector (Including GPIO Connections)	19
Pin Assignments on CFA-635 Serial LCD Module "H1" Connector (Including GPIO Connections)	21
Pin Assignments on CFA-635 Serial LCD Module "H2" Connector (Including GPO Connections)	22
Power Connection to Host and Optional SCAB	22
Connection of Optional SCAB	24
PRODUCT RELIABILITY	25
HOST COMMUNICATIONS	25
Packet Structure	25
About Handshaking	26
Report Codes	26
0x80: Key Activity	27
0x81: Fan Speed Report (SCAB required)	27
0x82: Temperature Sensor Report (SCAB required)	28
Command Codes	29
0 (0x00): Ping Command	29
1 (0x01): Get Hardware & Firmware Version	29
2 (0x02): Write User Flash Area	29
3 (0x03): Read User Flash Area	30
4 (0x04): Store Current State As Boot State	30
5 (0x05): Reboot CFA-635, Reset Host (SCAB required), or Power Off Host (SCAB required)	31



CONTENTS, CONTINUED

6 (0x06): Clear LCD Screen	31
9 (0x09): Set LCD Special Character Data	32
10 (0x0A): Read 8 Bytes of LCD Memory	32
11 (0x0B): Set LCD Cursor Position	33
12 (0x0C): Set LCD Cursor Style	33
13 (0x0D): Set LCD Contrast	33
14 (0x0E): Set LCD & Keypad Backlight	33
16 (0x10): Set Up Fan Reporting (SCAB required)	34
17 (0x11): Set Fan Power (SCAB required)	34
18 (0x12): Read DOW Device Information (SCAB required)	35
19 (0x13): Set Up Temperature Reporting (SCAB required)	35
20 (0x14): Arbitrary DOW Transaction (SCAB required)	37
22 (0x16): Send Command Directly to the LCD Controller	37
23 (0x17): Configure Key Reporting	38
24 (0x18): Read Keypad, Polled Mode	38
25 (0x19): Set Fan Power Fail-Safe (SCAB required)	39
26 (0x1A): Set Fan Tachometer Glitch Filter (SCAB required)	39
27 (0x1B): Query Fan Power & Fail-Safe Mask (SCAB required)	40
28 (0x1C): Set ATX Power Switch Functionality (SCAB required)	41
29 (0x1D): Enable/Disable and Reset the Watchdog (SCAB required)	42
30 (0x1E): Read Reporting & Status	43
31 (0x1F): Send Data to LCD	44
33 (0x21): Set Baud Rate	44
34 (0x22): Set or Set and Configure GPIO Pin	44
35 (0x23): Read GPIO Pin Levels and Configuration State	46
CHARACTER GENERATOR ROM (CGROM)	48
CARE AND HANDLING PRECAUTIONS	49
APPENDIX A: CONNECTING A DS2450 1-WIRE QUAD A/D CONVERTER (SCAB REQUIRED)	51
APPENDIX B: CONNECTING A DS1963S SHA I BUTTON (SCAB REQUIRED)	53
APPENDIX C: CALCULATING THE CRC	56
Algorithm 1: "C" Table Implementation	56
Algorithm 2: "C" Bit Shift Implementation	57
Algorithm 3: "PIC Assembly" Bit Shift Implementation	58
Algorithm 4: "Visual Basic" Table Implementation	60
Algorithm 5: "Java" Table Implementation	61
Algorithm 6: "Perl" Table Implementation	62
APPENDIX D: QUALITY ASSURANCE STANDARDS	64



LIST OF FIGURES

Figure 1. Photo of CFA-RS232-01 Serial Converter Mounted on CFA-635 Serial LCD Module	9
Figure 2. CFA-RS232-01 Serial Converter (Side View)	10
Figure 3. CFA-RS232-01 Serial Converter Connectors "J1", "J2", and "J3"	10
Figure 4. CFA-635 Serial LCD Module Connectors "H1" and "H2"	11
Figure 5. Module Outline Drawing	12
Figure 6. Jumper Locations and Functions	13
Figure 7. Keypad Outline Drawing (identical to keypad for CFA-633 v1.0)	14
Figure 8. System Block Diagram	15
Figure 9. CFA-RS232-01 "J1" Connector Default RS-232 Pin Assignments	18
Figure 10. CFA-RS232-01 "J1" Connector Alternate RS-232 Pin Assignments	19
Figure 11. CFA-RS232-01 "J2" Connector Pin Assignments	20
Figure 12. Pin Assignments on CFA-635 Serial LCD Module "H1" Connector (Includes GPIOs)	21
Figure 13. Pin Assignments on CFA-635 Serial LCD Module "H2" Connector (Includes GPOs)	22
Figure 14. CFA-635 Serial LCD Module Power Connection to Host and Optional SCAB	23
Figure 15. Photo of CFA635-YYE-KS Connected to Optional CFA-SCAB, Bracket and WREXTY19 Cable	24
Figure 16. Character Generator ROM (CGROM)	48
Appendix A Figure 1. CFA-635 Test Circuit Schematic	51
Appendix B Figure 1. Connect CFA-635 to Maxim/Dallas DS19632 SHA iButton using DS9094 iButton Clip	53



INTRODUCTION

The CFA-635 was originally conceived as an integrated easy-to-use front panel for 1U internet appliances. Since USB is the standard low-speed interface for these appliances, the CFA-635 design was USB. Shortly after its introduction, we received requests for a serial version of CFA-635. Many embedded designs could use the integrated LCD, keypad, LEDs, and compact form factor of the CFA-635, but these embedded applications rarely had the resources to implement the USB host interface.

The CFA635-YYE-KL and CFA635-YYE-KS address this need by providing serial variants of the CFA-635. Both serial variants of the serial CFA-635 use a special version of firmware that brings the two UART pins (Tx & Rx) of the CFA-635's microcontroller to one of the CFA-635's existing expansion connectors.

The CFA635-YYE-KL simply exposes these UART Tx & Rx (inverted, logic level, 0v to 5v nominal) signals on pin 1 and pin 2 of the CFA-635's expansion header H1. If your embedded processor is in close physical proximity to the CFA-635, you can cable its UART Rx and Tx pins directly to the CFA635-YYE-KL's Tx and Rx pins. No RS-232 level translators are required on either end.

The CFA635-YYE-KS is a CFA635-YYE-KL with an RS-232 level translator board (CFA-RS232-01) attached. The CFA635-YYE-KS is the correct choice if your embedded controller or host system has a "real" RS-232 serial port.

MAIN FEATURES

- 20 characters x 4 lines LCD has a large display area in a compact size: fits in a 1U rack mount case (37 mm overall height).
- 5.25" half-height drive-bay [CFA-635 LCD Mounting Bracket](#) available (optional).
- Bidirectional 115200 baud ESD-protected RS-232 serial interface is provided by the included CFA-RS232-01 v1.0 serial conversion board (named CFA-RS232-01 Serial Converter) when connected with the appropriate cables. (See [Two Parts: CFA-635 Serial LCD Module and CFA-RS232-01 Serial Converter \(Pg. 9\)](#)).
- Yellow-green edge LED backlit with STN yellow-green positive mode LCD (displays dark characters on yellow-green background).
- Integrated yellow-green LED backlit translucent silicone keypad.
- Direct sunlight readable.
- Four bicolor (red + green) LED Indicators. The LEDs' brightness can be set by the host software, which allows smoothly mixing the LEDs to produce other colors (for example, yellow and orange).
- ATX power supply control functionality allows the keypad buttons on the CFA635-YYE-KS to replace the "power" and "reset" switches on your system, simplifying front panel design. Optional 16-pin [WRPWRY25](#) ATX power switch cable may be used for direct connection to the host's PC power supply.
- LCD characters are contiguous in both X and Y directions to allow the host software to display "gapless" bar graphs in horizontal or vertical directions.
- Fully decoded keypad: any key combination is valid and unique.
- Robust packet-based communications protocol with 16-bit CRC.
- Nonvolatile memory capability (EEPROM):
 - Customize the "power-on" display settings.
 - 16-byte "scratch" register for storing IP address, netmask, system serial number . . .



- ❑ Firmware support for the optional Crystalfontz expansion module System Cooling Accessory Board (SCAB). For more information, see [Power Connection to Host and Optional SCAB \(Pg. 22\)](#) and the [CFA-SCAB Expansion Module Data Sheet](#) on our website. The combination of the CFA635-YYE-KS with the optional SCAB (written as “CFA635-YYE-KS+SCAB” in this Data Sheet) allows:
 - Three functional fan connectors with RPM monitoring and variable PWM (Pulse Width Modulation) fan power control. A USB version CFA-635 combined with a SCAB allows control of four fans. In this serial version, the connections for a fourth fan are remapped and used as the serial Rx and Tx connections. (Commonly available PC cooling fans may be used.)
 - Fail-safe fan power settings allows host to safely control three fans based on temperature.
 - Using optional Crystalfontz [WRDOWY17](#) cable with Dallas 1-Wire sensor, you can monitor temperatures up to 32 channels at up to 0.5°C absolute accuracy.
 - Hardware watchdog can reset host on host software failure.
 - RS-232 to Dallas Semiconductor 1-Wire bridge functionality allows control of other 1-Wire compatible devices (ADC, voltage monitoring, current monitoring, RTC, GPIO, counters, identification/encryption).
- ❑ RoHS compliant.

MODULE CLASSIFICATION INFORMATION

CFA
635
-
Y
Y
E
-
KS

1
2
3
4
5
6

1	Brand	Crystalfontz America, Inc.
2	Model Identifier	635
3	Backlight Type & Color	Y – LED, yellow-green
4	Fluid Type, Image (positive or negative), & LCD Glass Color	Y – STN, positive, yellow-green
5	Polarizer Film Type, Normal (NT) Temperature Range, & View Angle (O’Clock)	E – Transflective, NT, 12:00
6	Special Codes	K – Manufacturer’s code S – Serial with RS232

ORDERING INFORMATION

PART NUMBER	FLUID	LCD GLASS COLOR	IMAGE	POLARIZER FILM	BACKLIGHTS
CFA635-YYE-KS	STN	yellow-green	positive	transflective	LCD: yellow-green edge LEDs Keypad: yellow-green LEDs
<i>Additional variants available (same form factor, different LCD mode or backlight):</i>					
CFA635-TMF-KS	STN	blue	negative	transmissive	LCD: white edge LEDs Keypad: blue LEDs
CFA635-TFE-KS	FSTN		positive	transflective	LCD: white edge LEDs Keypad: white LEDs



MECHANICAL SPECIFICATIONS

PHYSICAL CHARACTERISTICS

ITEM	SIZE
Module Width and Height	142.0 (W) x 37.0 (H) mm
Depth: (includes mounted CFA-RS232-01 located under keypad) Without Keypad With Keypad	28.9 ± 0.3 mm 32.79 ± 0.3 mm
Viewing Area	82.95 (W) x 27.5 (H) mm
Active Area	77.95 (W) x 22.35 (H) mm
Character Size	3.2 (W) x 4.85 (H) mm
Character Pitch	3.9 (W) X 5.6 (H) mm
Dot Size	0.60 (W) x 0.65 (H) mm
Dot Pitch	0.65 (W) x 0.70 (H) mm
Keystroke Travel (approximate)	2.4 mm
Weight (includes mounted CFA-RS232-01)	71 grams (typical)



TWO PARTS: CFA-635 SERIAL LCD MODULE AND CFA-RS232-01 SERIAL CONVERTER

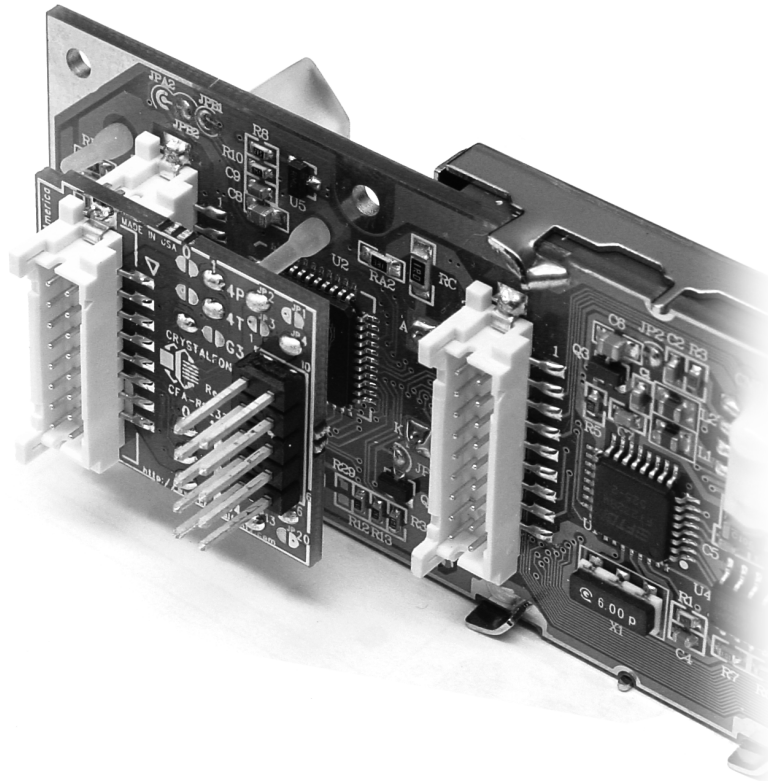


Figure 1. Photo of CFA-RS232-01 Serial Converter Mounted on CFA-635 Serial LCD Module

The CFA635-YYE-KS consists of two parts:

1. CFA-635 Serial LCD Module

Physically, the CFA-635 serial LCD module is identical to the USB version of this module (CFA635-YYE-KU). However, the firmware on this serial module maps the Rx and Tx signals to connector "H1" instead of to the USB chip.

2. CFA-RS232-01 Serial Converter

The CFA-RS232-01 Serial Converter, a small printed circuit assembly mounted on the CFA-635 Serial LCD Module, has a 16-pin female connector "J3" (see connector location on [Figure 3. on Pg. 10](#)) that mates with the male 16-pin connector "H1" on the back of the CFA-635 Serial LCD Module. The CFA-RS232-01 Serial Converter converts the 0v to +5v (logic level) Rx and Tx signals from the CFA-635 Serial LCD Module's microcontroller to RS-232 levels.

CONNECTOR DESCRIPTIONS

The two parts (CFA-RS232-01 Serial Converter + CFA-635 Serial LCD Module) that make up the CFA635-YYE-KS have a total of six connectors. The location of five of these connectors (J1, J2, and J3 on the CFA-RS232-01 Serial Converter and H1 and H2 on the CFA-635 Serial LCD Module) are described here. The sixth connector is for USB connection and is not usable. Later sections detail the pin assignments for each of the five connectors.



CFA-RS232-01 Serial Converter Connectors

The front side of the CFA-RS232-01 Serial Converter has the CrystalFontz logo silk-screened onto it and has two connectors. The back side of the CFA-RS232-01 Serial Converter does not have the CrystalFontz logo and has one connector.

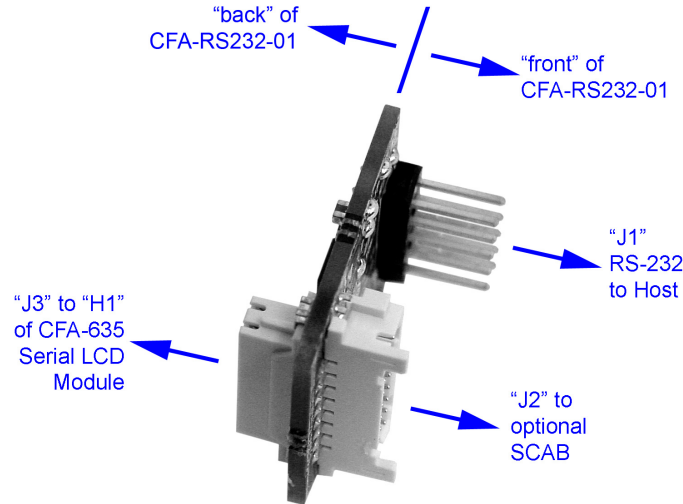


Figure 2. CFA-RS232-01 Serial Converter (Side View)

The "J1" and "J2" connectors are on the front side of the CFA-RS232-01 Serial Converter, facing away from the module when the CFA-RS232-01 is mounted on the CFA-635 Serial LCD Module. The "J3" connector is on the back side of the CFA-RS232-01 Serial Converter, facing towards the module when it is mounted on the CFA635-YYE-KS.

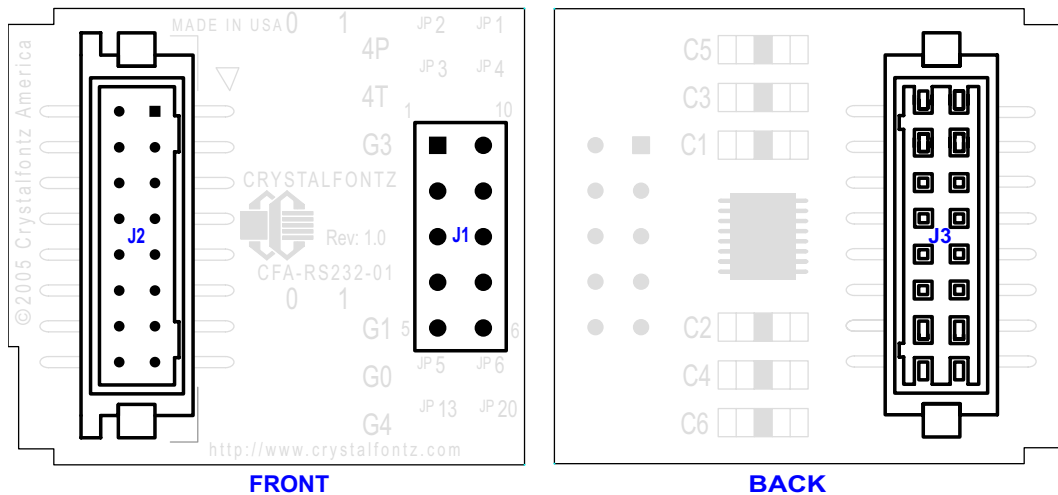


Figure 3. CFA-RS232-01 Serial Converter Connectors "J1", "J2", and "J3"

- "J1" is the male 10-pin (0.1" center) RS-232 host communications connector on the front side. For pin assignments, see [Pin Assignments \(Default and Alternate\) on CFA-RS232-01 "J1" Connector \(Pg. 18\)](#).
- "J2" is the male 16-pin 2 mm "pass through" connector on the front side, passing through to the "J3" female 16-pin 2 mm connector on the back side of the board. For pin assignments, see [Pin Assignments on CFA-RS232-01 "J2" Connector \(Including GPIO Connections\) \(Pg. 19\)](#). An optional SCAB may be connected to the male 16-pin "pass through" connector "J2".
- "J3" is the female 16-pin 2 mm connector on the back side that mates with "H1" male 16-pin 2 mm connector on the CFA-635 Serial LCD Module.



CFA-635 Serial LCD Module Connectors

The CFA-635 Serial LCD Module has two connectors on its back side, "H1" and "H2".

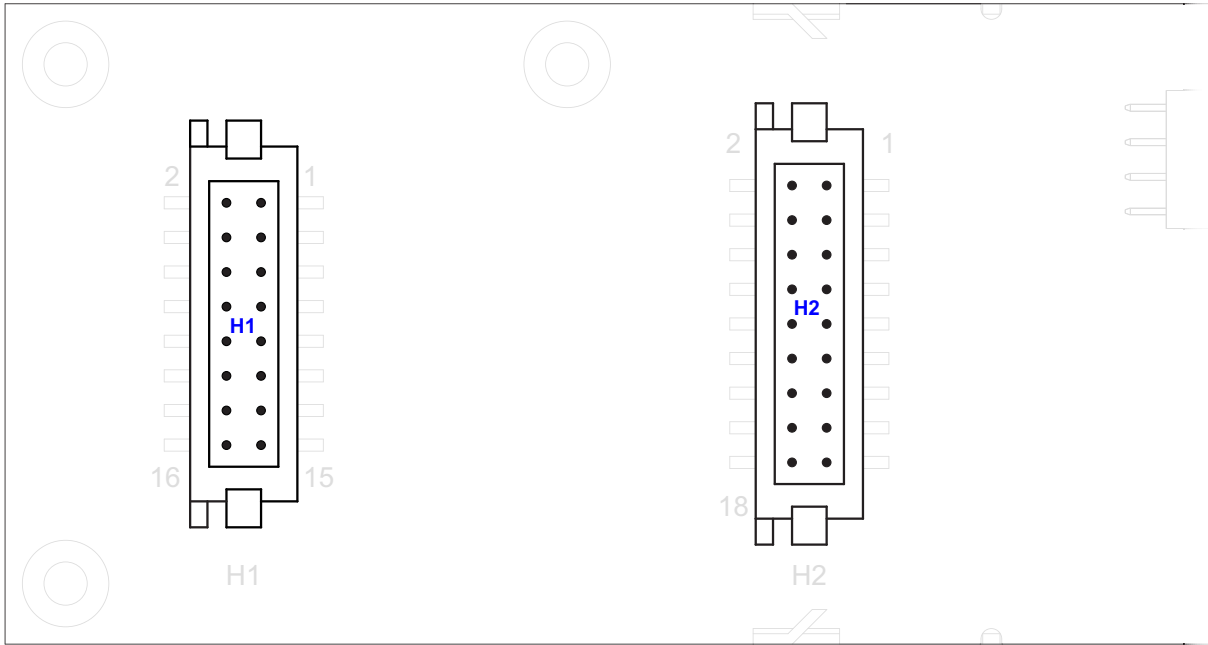


Figure 4. CFA-635 Serial LCD Module Connectors "H1" and "H2"

1. The "H1" male 16-pin 2 mm connector mates with the "J3" female 16-pin 2 mm connector on the CFA-RS232-01 Serial Converter. For pin assignments, see [Pin Assignments on CFA-635 Serial LCD Module "H1" Connector \(Including GPIO Connections\) \(Pg. 21\)](#).
2. The "H2" male 18-pin 2 mm connector provides GPO connections, including those that drive the front panel LEDs. For pin assignments, see [Pin Assignments on CFA-635 Serial LCD Module "H1" Connector \(Including GPIO Connections\) \(Pg. 21\)](#).



MODULE OUTLINE DRAWING

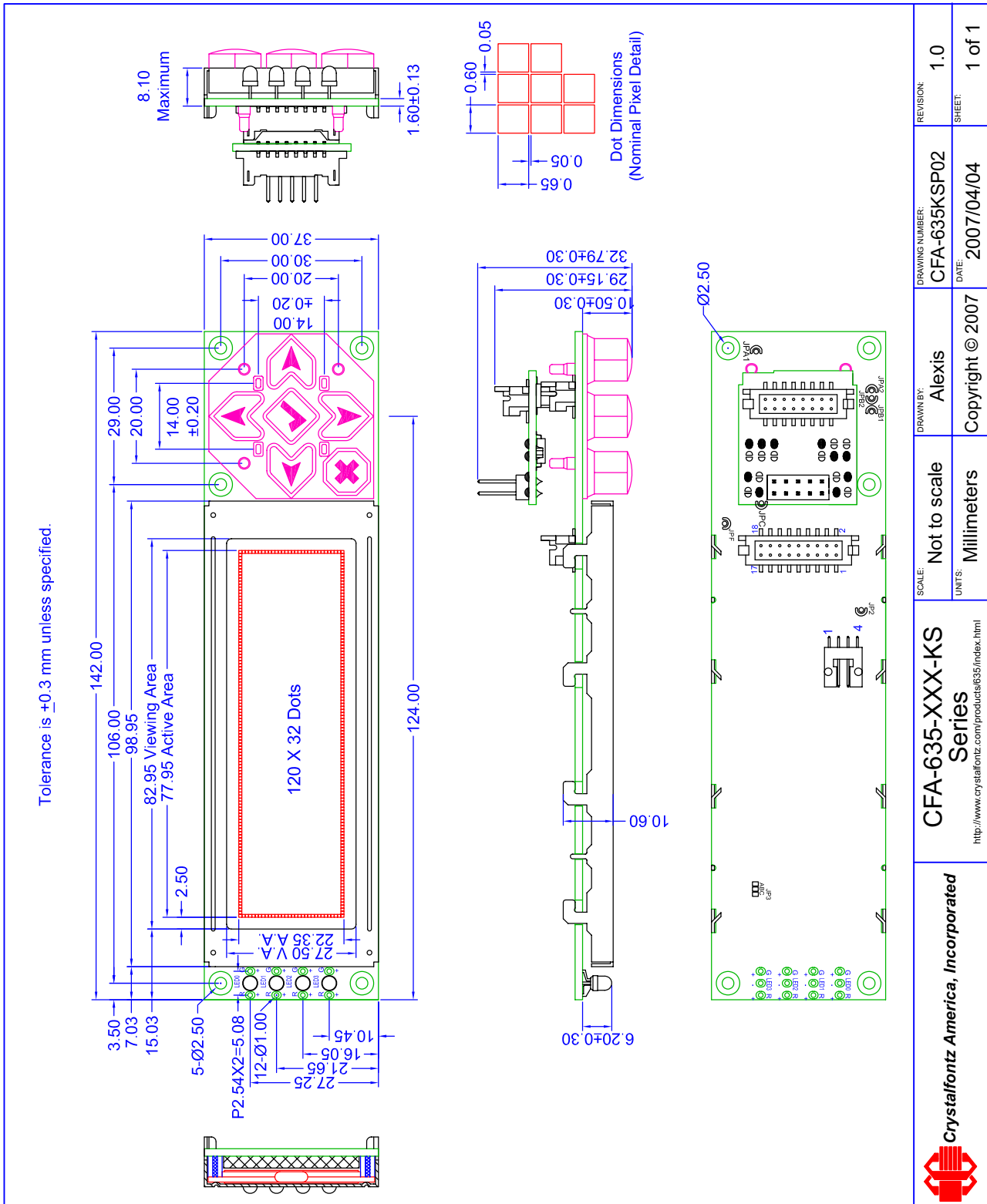


Figure 5. Module Outline Drawing



JUMPER LOCATIONS AND FUNCTIONS

The CFA-635 Serial LCD module has eight jumpers. Only JPF may be changed. This jumper is normally open. The jumper may be closed by melting a ball of solder across the gap. To re-open the jumper, remove the solder. Solder wick works well for this.

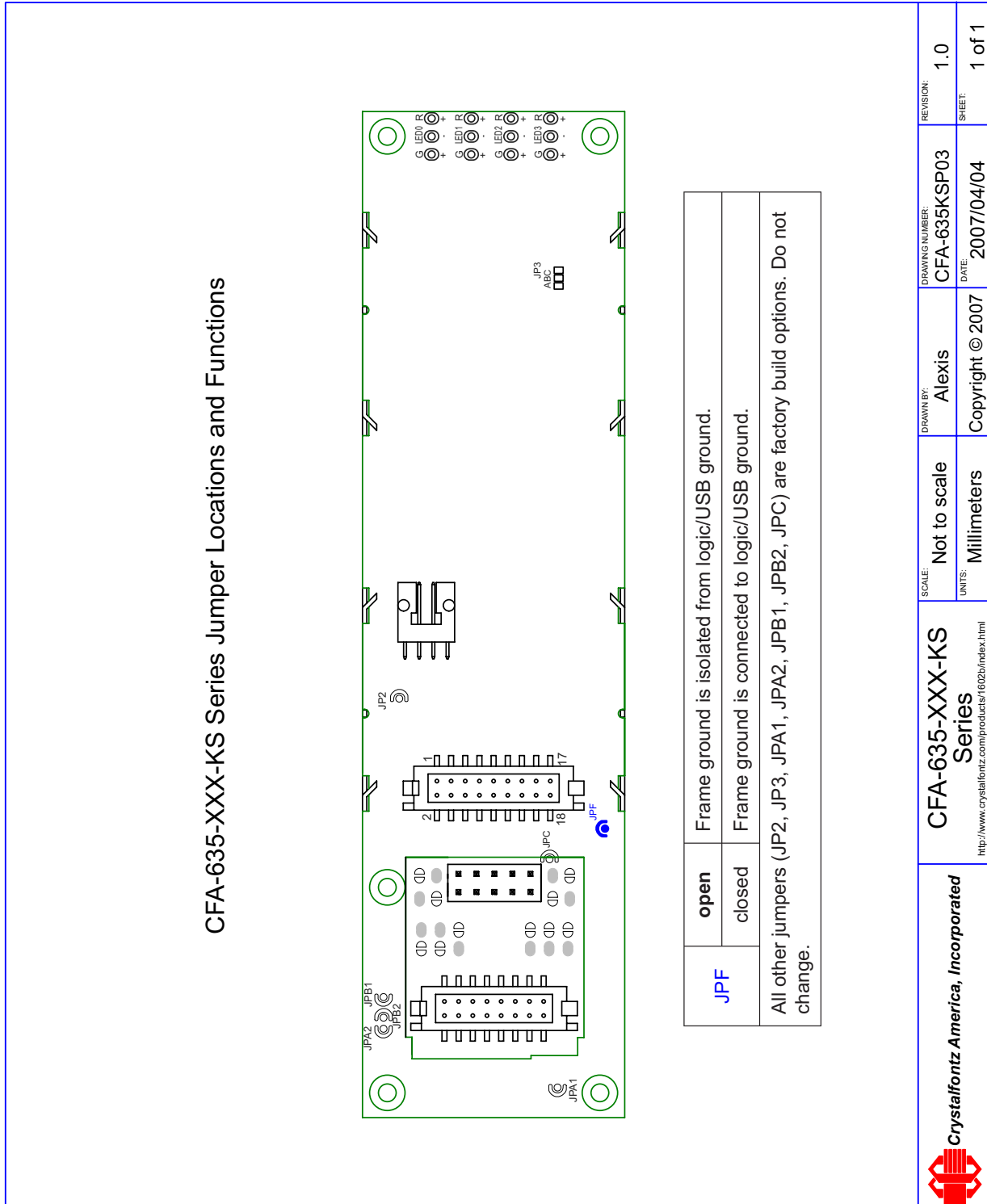


Figure 6. Jumper Locations and Functions



KEYPAD OUTLINE DRAWING

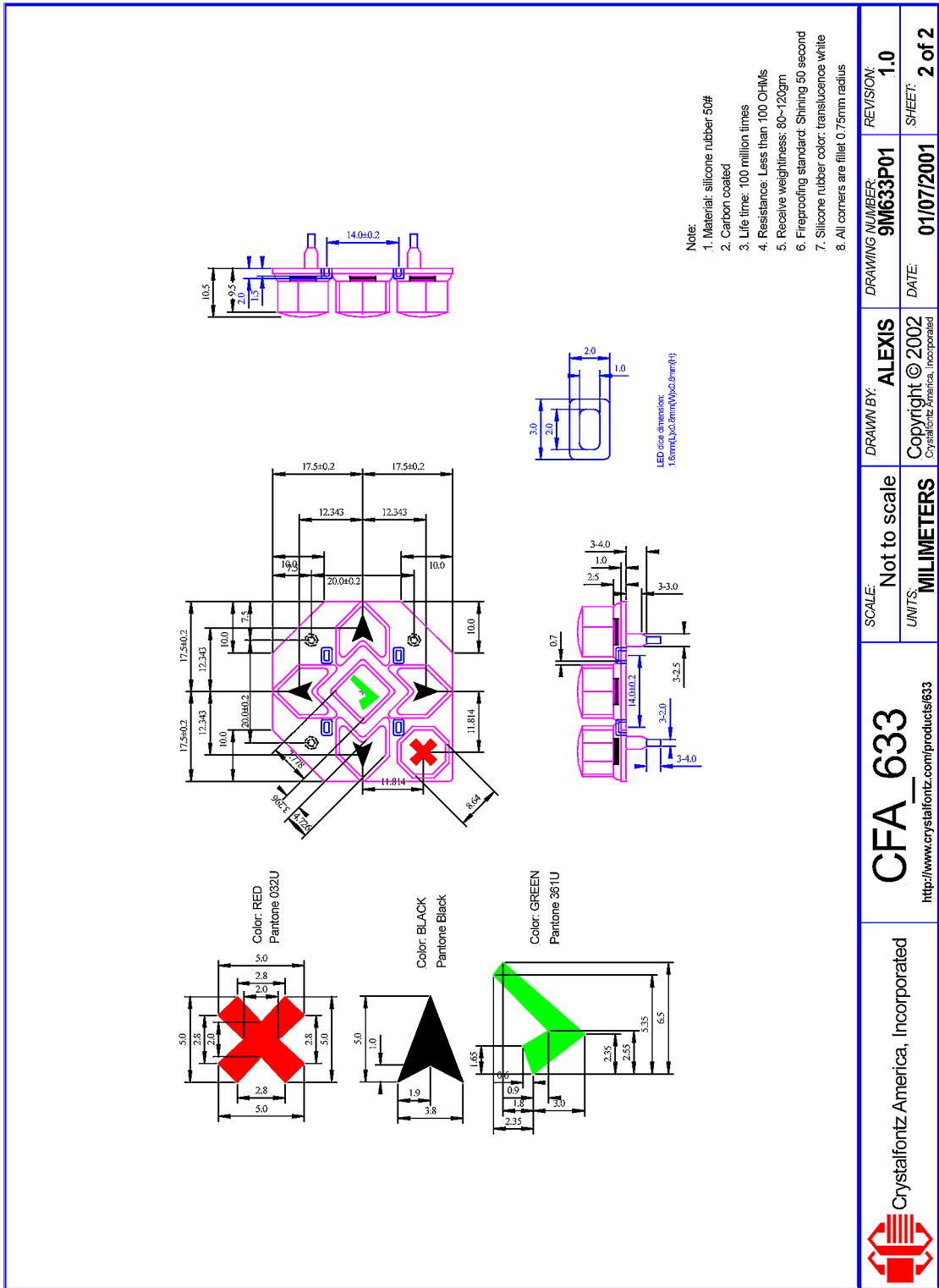


Figure 7. Keypad Outline Drawing (identical to keypad for CFA-633 v1.0)



ELECTRICAL SPECIFICATIONS

SYSTEM BLOCK DIAGRAM

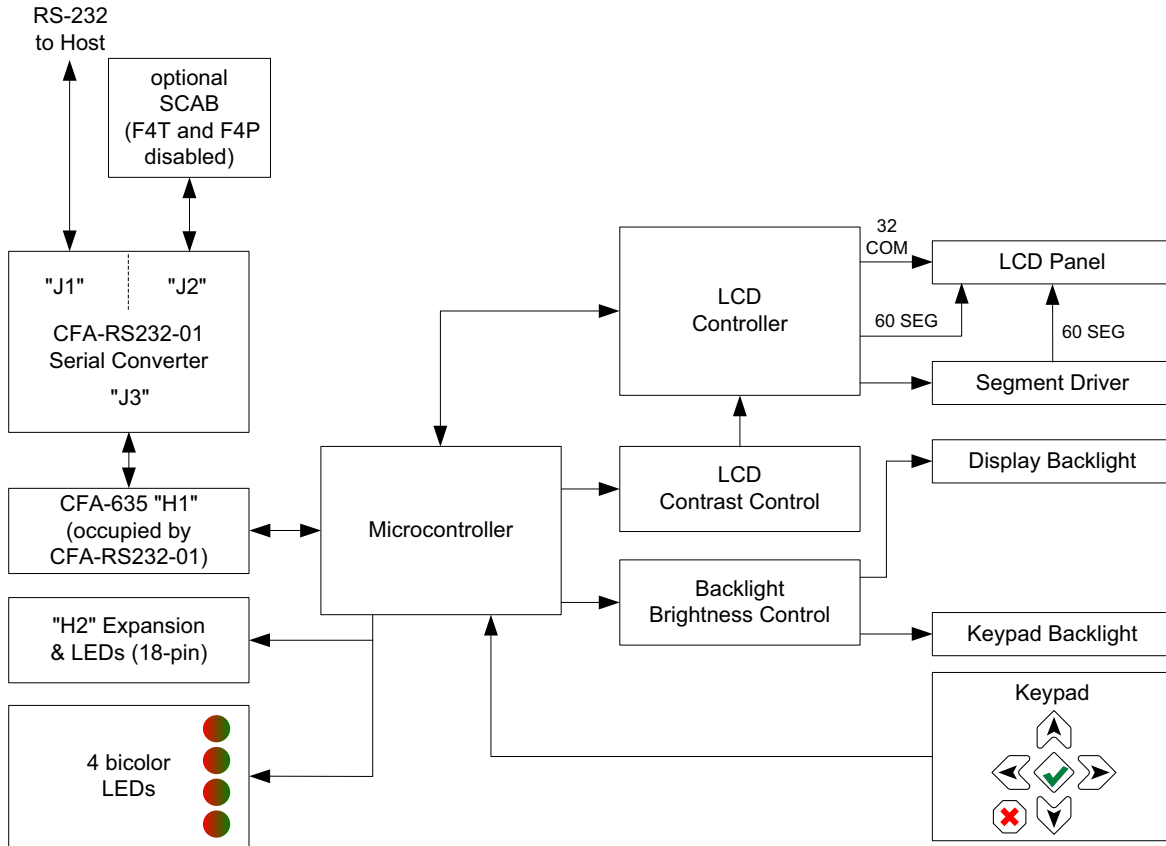


Figure 8. System Block Diagram



VIEWING DIRECTION

Viewing Direction	12 o'clock
-------------------	------------

DRIVING METHOD

DRIVING METHOD	SPECIFICATION
Duty	1/32
Bias	6.7

ABSOLUTE MAXIMUM RATINGS

ABSOLUTE MAXIMUM RATINGS	SYMBOL	MINIMUM	MAXIMUM
Operating Temperature	T _{OP}	-0°C	+50°C
Storage Temperature*	T _{ST}	-10°C	+60°C
Supply Voltage for Logic	V _{DD}	0	5.25v
RS-232 Input Pin	V _{RX}	-25v	+25v
RS-232 Output Pin	V _{TX}	-13v	+13v

**Note: Prolonged exposure at temperatures outside of this range may cause permanent damage to the module.*

DC CHARACTERISTICS

DC CHARACTERISTICS	SYMBOL	MINIMUM	TYPICAL	MAXIMUM
Supply voltage for driving the serial LCD module, typically supplied through cable WRPWR24 . (See Module Outline Drawing (Pg. 12) .)	V _{DD} - V _O	+4.75v	+5.0v	+5.25v
RS-232 Input Voltage Range		-25v		+25v
RS-232 Input High Voltage			+1.8v	+2.4v
RS-232 Input Low Voltage		+0.8v	+1.5v	
RS-232 Output Voltage Swing		±5.0v	±5.4v	



TYPICAL CURRENT CONSUMPTION

ITEMS ENABLED			TYPICAL CURRENT CONSUMPTION	
Logic	LCD and Keypad Backlights	All Indicator LEDs (4 Red + 4 Green)	V _{DD} =4.75V	V _{DD} =5.25V
X	-	-	35 mA	42 mA
X	X	-	108 mA	153 mA
X	-	X	147 mA	175 mA
X	X	X	218 mA	282 mA

GPIO CURRENT LIMITS	SPECIFICATION
Sink	25 mA
Source	10 mA

ESD (ELECTRO-STATIC DISCHARGE) SPECIFICATIONS

Tx and Rx pins of connector "RS-232" only:
 +15 kV Human Body Model
 +15 kV IEC1000-4-2 Air Discharge
 +8 kV IEC1000-4-2 Contact Discharge

The remainder of the circuitry is industry standard CMOS logic and is susceptible to ESD damage. Please use industry standard antistatic precautions as you would for any other PCB such as expansion cards or motherboards. For more information, read [CARE AND HANDLING PRECAUTIONS \(Pg. 49\)](#).



ADDITIONAL CRITERIA

ADDITIONAL CRITERIA	SPECIFICATION
Backlight PWM Frequency	300 Hz nominal
Fan Tachometer Speed Range* (assuming 2 PPR) ⁺	600 RPM to 3,000,000 RPM
Fan Power Control PWM Frequency*	18 Hz nominal

*When used with optional SCAB.

⁺PPR is pulses per revolution, also written as p/r.

PIN ASSIGNMENTS (DEFAULT AND ALTERNATE) ON CFA-RS232-01 "J1" CONNECTOR

The pin order of your motherboard's header will determine if the CFA635-YYE-KS's pin assignments need to be "Default" or "Alternate", as described below.

NOTE

The [WR232Y22](#) cable, when connected to the "J1" of the CFA-RS232-01 Serial Converter, provides two connectors on its opposite end. The connector a few inches from the end has a "default" pin assignment and the connector at the very end has an "alternate" pin assignment. By using the [WR232Y22](#) cable, you can avoid changing jumpers on the CFA-RS232-01 Serial Converter.

On the CFA-RS232-01 Serial Converter, the jumpers JP2, JP4, and JP6 are closed by default at the factory, selecting the "J1" connector "Default RS-232 Pin Assignments". (See [Figure 9. on Pg. 18.](#)) This default pin assignment allows a low-cost ribbon cable ([WR232Y08](#)) to connect the CFA635-YYE-KS to a PC's DB-9 COM port.

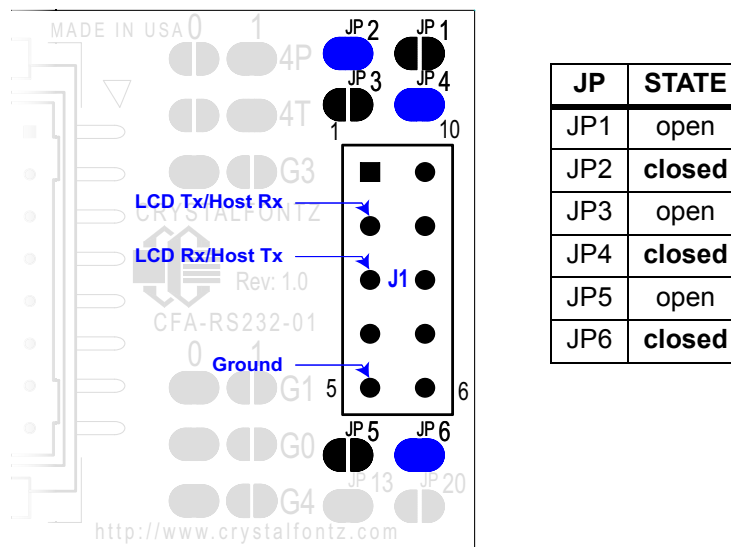


Figure 9. CFA-RS232-01 "J1" Connector Default RS-232 Pin Assignments



By opening jumpers JP2, JP4, and JP6 and closing JP1, JP3, and JP5, you can select the "Alternate RS-232 Pin Assignments".

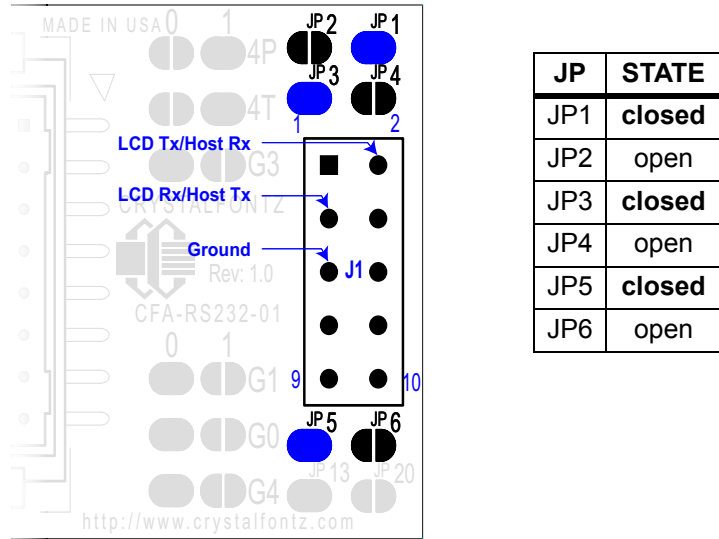


Figure 10. CFA-RS232-01 "J1" Connector Alternate RS-232 Pin Assignments

If there is a matching 0.1" center, 10-pin RS-232 connector on your system's motherboard, then in most cases a simple straight-through ribbon cable such as Crystalfontz [WR232Y22](#) or CW Industries' [C3AAG-1018G-ND](#) cable (available from Digi-Key) can be used to connect from the CFA635-YYE-KS to a motherboard's 10-pin header.

PIN ASSIGNMENTS ON CFA-RS232-01 "J2" CONNECTOR (INCLUDING GPIO CONNECTIONS)

The CFA-635 module has five pins that can be used for "General Purpose Input or Output (GPIO)s. The pass-through header "J2" on the CFA-RS232-01 Serial Converter. (See the GPIOs labeled in [Figure 9. on Pg. 18.](#)) These GPIOs can be accessed directly through "J2" or through the optional SCAB connected to "J2". The SCAB can be easily connected to the CFA635-YYE-KS by using either the [WREXTY15](#) or [WREXTY19](#) cables. For more information on the SCAB, see [Power Connection to Host and Optional SCAB \(Pg. 22\)](#) and the [CFA-SCAB Data Sheet](#) on our website.



Please note that FAN4 (F4P & F4T) is disabled in the CFA-635 RS-232 version.

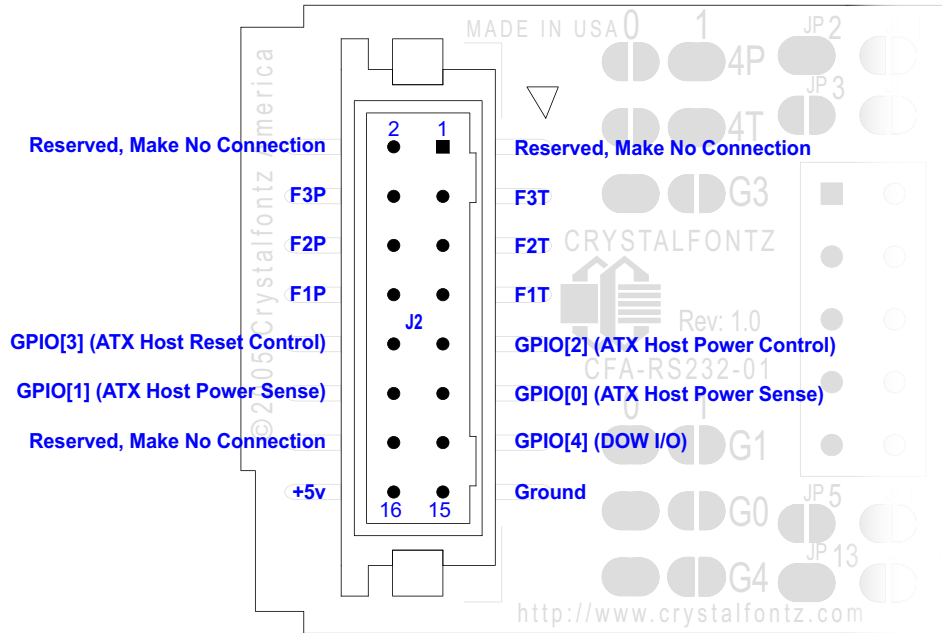


Figure 11. CFA-RS232-01 "J2" Connector Pin Assignments

The following parts may be used to make a mating cable for "J2":

- 16-position housing: Hirose DF11-16DS-2C / [Digi-Key H2025-ND](#).
- Terminal (tape & reel): Hirose DF11-2428SCF / [Digi-Key H1504TR-ND](#).
- Terminal (loose): Hirose DF11-2428SC / [Digi-Key H1504-ND](#).
- Pre-terminated interconnect wire: Hirose / [Digi-Key H3BBT-10112-B4-ND](#) (typical).



PIN ASSIGNMENTS ON CFA-635 SERIAL LCD MODULE "H1" CONNECTOR (INCLUDING GPIO CONNECTIONS)

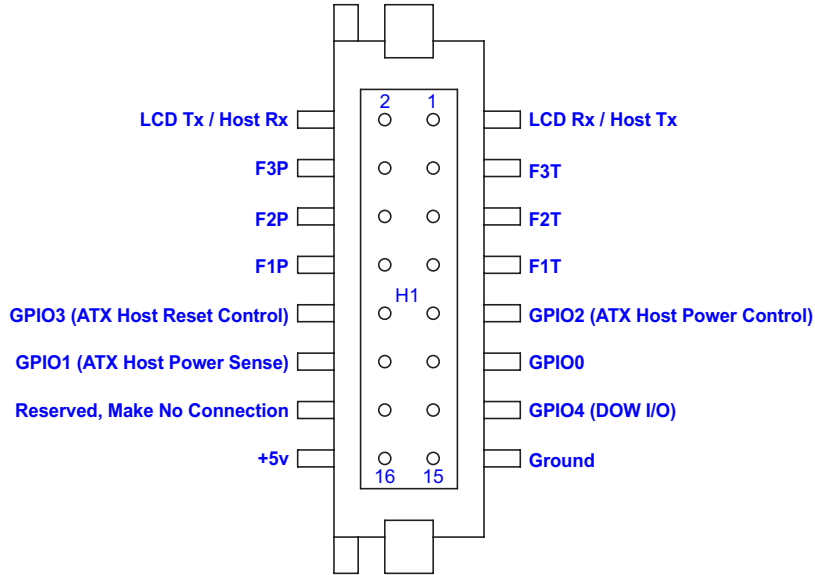


Figure 12. Pin Assignments on CFA-635 Serial LCD Module "H1" Connector (Includes GPIOs)

The following parts may be used to make a mating cable for "H1":

- 16-position housing: Hirose DF11-16DS-2C / [Digi-Key H2025-ND](#).
- Terminal (tape & reel): Hirose DF11-2428SCF / [Digi-Key H1504TR-ND](#).
- Terminal (loose): Hirose DF11-2428SC / [Digi-Key H1504-ND](#).
- Pre-terminated interconnect wire: Hirose / [Digi-Key H3BBT-10112-B4-ND](#) is typical.



PIN ASSIGNMENTS ON CFA-635 SERIAL LCD MODULE “H2” CONNECTOR (INCLUDING GPO CONNECTIONS)

The CFA635-YYE-KS has 8 GPIO/GPO connections available on header "H2". By factory default, these GPOs drive the front panel LEDs. By removing the LEDs, these GPOs could be used for other purposes.

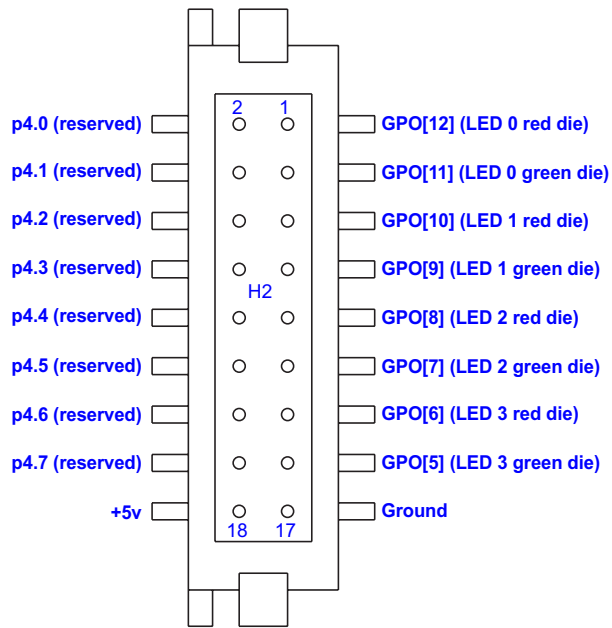


Figure 13. Pin Assignments on CFA-635 Serial LCD Module "H2" Connector (Includes GPOs)

Please see the commands [34 \(0x22\): Set or Set and Configure GPIO Pin \(Pg. 44\)](#), and [35 \(0x23\): Read GPIO Pin Levels and Configuration State \(Pg. 46\)](#) below for details on how to control the GPIOs.

The following parts may be used to make a mating cable for “H2”:

- 18-position housing: Hirose DF11-18DS-2C / [Digi-Key H2026-ND](#).
- Terminal (tape & reel): Hirose DF11-2428SCF / [Digi-Key H1504TR-ND](#).
- Terminal (loose): Hirose DF11-2428SC / [Digi-Key H1504-ND](#).
- Pre-terminated interconnect wire: Hirose / [Digi-Key H3BBT-10112-B4-ND](#) is typical.

POWER CONNECTION TO HOST AND OPTIONAL SCAB

For the USB variants of the CFA-635, power as well as communications is supplied through the USB connection. Serial RS-232 connections traditionally provide only communications, not power, so supplying power to the CFA635-YYE-KS must be addressed.

Power may be supplied to the CFA635-YYE-KS in three different ways:

1. Use a [WRPWR24](#) cable or other cable / connection to provide power through "J2" on the CFA-RS232-01 Serial Converter (typical of a PC/server installation).
2. Use a SCAB (optional accessory) to provide power through "J2" on the CFA-RS232-01 Serial Converter (typical of a PC/server installation).
3. Supply power through pin 4 of "J1" on the CFA-RS232-01 Serial Converter (typical of an embedded system installation).



The first two options need no explanation—all that is involved is connecting a cable from the CFA635-YYE-KS to your PC or server's power supply.

For embedded systems or high volume production applications where you would like to minimize connections, you may want to use a single cable to carry both RS-232 communications and power. The +5v power can be supplied through connector "J1" on the CFA-RS232-01 Serial Converter, allowing a single cable to contain both power and data connections. If the "Default RS-232 Pin Assignments" are selected, the four connections needed to operate the module are all on a single column of pins on "J1", which allows a single 0.1" spacing 4-conductor cable to connect between the CFA635-YYE-KS and your embedded system.

To enable +5v to be supplied through "J1", jumper JP13 must be closed (default from the factory).

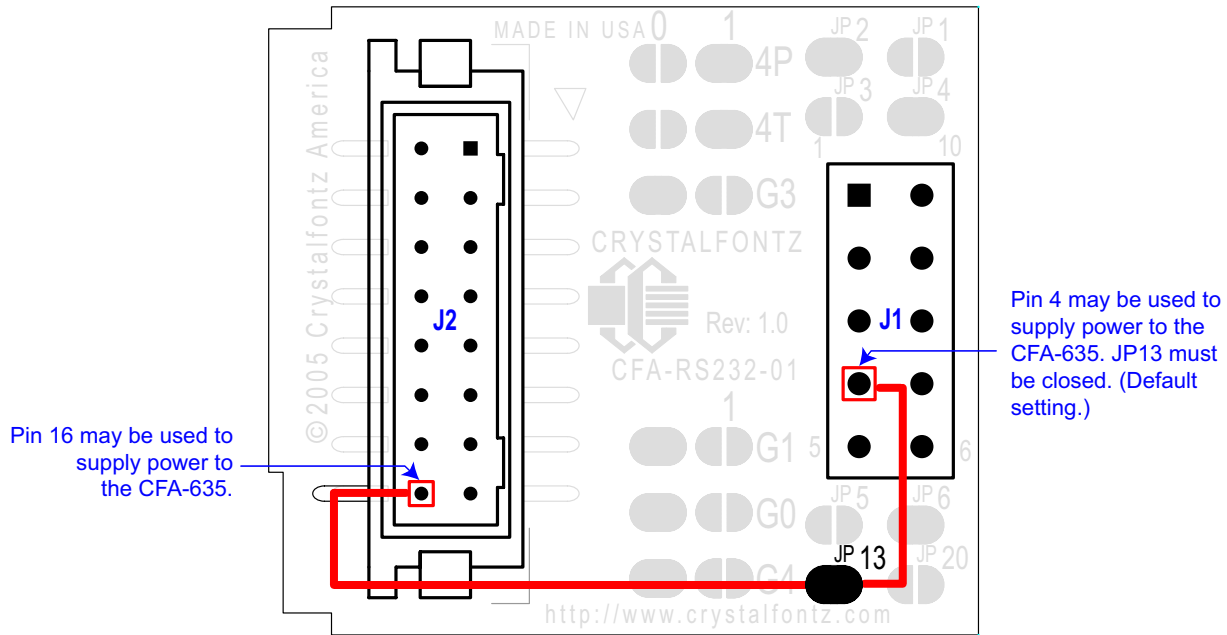


Figure 14. CFA-635 Serial LCD Module Power Connection to Host and Optional SCAB



CONNECTION OF OPTIONAL SCAB

The optional CFA-SCAB is designed to connect to the CFA635-YYE-KS "J2" header. The SCAB will receive the correct signals to operate from the CFA635-YYE-KS.

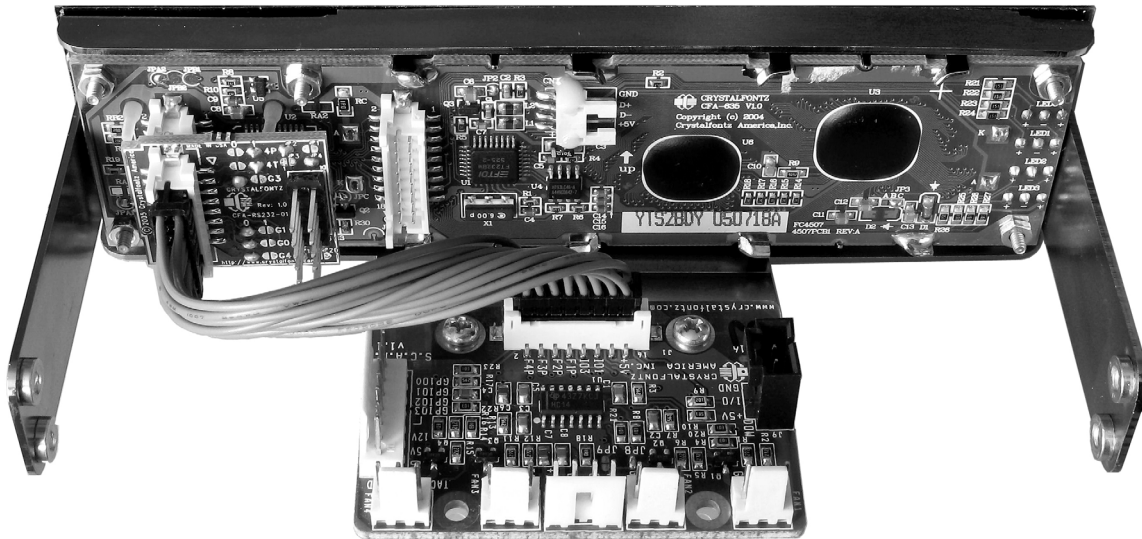


Figure 15. Photo of CFA635-YYE-KS Connected to Optional CFA-SCAB, Bracket and WREXTY19 Cable

Two CrystalFontz cables are available to make the connection between the optional SCAB and the CFA635-YYE-KS:

1. [WREXTY15](#) SCAB Cable, 16-inch

This 16-pin cable allows the SCAB to be mounted some distance away from the CFA-635. For instance, the SCAB could be mounted in a central location within the PC's case. The WREXTY15 could connect the SCAB from this central location to the CFA635-YYE-KS mounted in a drive bay. The connections to the fans and temperature sensors only need to be run to the SCAB, not all the way to the front panel where the LCD module is mounted.

2. [WREXTY19](#) SCAB Cable, 3.5-inch

This shorter 16-pin cable can be used when the SCAB is mounted in close proximity to the CFA-635, as is the case when the SCAB is fastened directly to the LCD module's mounting bracket. (See the figure above.)

NOTES

1. Fan 4 (F4P and F4T) will not be available through the SCAB when it is used with the CFA635-YYE-KS.
2. Because the serial CFA635-YYE-KS has unique firmware, it will not work if you attempt to use it as a USB LCD module.

For more information about the optional SCAB, see [Connection of Optional SCAB \(Pg. 24\)](#) in this Data Sheet and the [CFA-SCAB Data Sheet](#) on our website.



PRODUCT RELIABILITY

ITEM	SPECIFICATION
LCD portion (excluding Keypad, Indicator LEDs, and Backlights)	50,000 to 100,000 hours (typical)
Keypad	1,000,000 keystrokes
Bicolor LED Indicators	50,000 to 100,000 hours (typical)
Yellow-green LED Backlights	50,000 to 100,000 hours (typical)

HOST COMMUNICATIONS

NOTE

Because there is no difference in communications and commands for *serial* and *USB* variants of the CFA-635, the remaining sections in this Data Sheet use the shorter term “CFA-635” instead of “CFA635-YYE-KS”.

The CFA-635 communicates with its host using the RS-232 interface. The host’s RS-232 communications port should be opened at 115200 baud, 8 data bits, no parity, 1 stop bit.

PACKET STRUCTURE

All communication between the CFA-635 and the host takes place in the form of a simple and robust CRC checked packet. The packet format allows for very reliable communications between the CFA-635 and the host without the traditional problems that occur in a stream-based serial communication (such as having to send data in inefficient ASCII format, to “escape” certain “control characters”, or losing sync if a character is corrupted, missing, or inserted).

All packets have the following structure:

```
<type><data_length><data><CRC>
```

`type` is one byte, and identifies the type and function of the packet:

```
TTcc cccc
|||| |---Command, response, error or report code 0-63
|-----Type:
00 = normal command from host to CFA-635
01 = normal response from CFA-635 to host
10 = normal report from CFA-635 to host (not in
    direct response to a command from the host)
11 = error response from CFA-635 to host (a packet
    with valid structure but illegal content
    was received by the CFA-635)
```



`data_length` specifies the number of bytes that will follow in the data field. The valid range of `data_length` is 0 to 22.

`data` is the payload of the packet. Each `type` of packet will have a specified `data_length` and format for `data` as well as algorithms for decoding `data` detailed below.

`CRC` is a standard 16-bit CRC of all the bytes in the packet except the CRC itself. The CRC is sent LSB first. At the port, the CRC immediately follows the last used element of data []. See [APPENDIX C: CALCULATING THE CRC \(Pg. 56\)](#) for details.

The following C definition may be useful for understanding the packet structure.

```
typedef struct
{
    unsigned char
        command;
    unsigned char
        data_length;
    unsigned char
        data[MAX_DATA_LENGTH];
    unsigned short
        CRC;
}COMMAND_PACKET;
```

On our website, CrystalFontz supplies a demonstration and test program, [635_WinTest](#) along with its C source code. Included in the `635_WinTest` source is a CRC algorithm and an algorithm that detects packets. The algorithm will automatically re-synchronize to the next valid packet in the event of any communications errors. Please follow the algorithm in the sample code closely in order to realize the benefits of using the packet communications.

ABOUT HANDSHAKING

The nature of CFA-635's packets makes it unnecessary to implement traditional hardware or software handshaking.

The host should wait for a corresponding acknowledge packet from the CFA-635 before sending the next command packet. The CFA-635 will respond to all packets within 250 mS. The host software should stop waiting and retry the packet if the CFA-635 fails to respond within 250 mS. The host software should report an error if a packet is not acknowledged after several retries. This situation indicates a hardware problem—for example, a disconnected cable. Please note that some operating systems may introduce delays between when the data arrives at the physical port from the CFA-635 until it is available to the user program. In this case, the host program may have to increase its timeout window to account for the additional overhead of the operating system.

The CFA-635 can be configured to send several types of report packets along with regular acknowledge packets. The host should be able to buffer several incoming packets and must guarantee that it can process and remove packets from its input buffer faster than the packets can arrive given the 115200 equivalent baud rate of the VCP and the reporting configuration of the CFA-635. For any modern PC or microcontroller using reasonably efficient software, this requirement will not pose a challenge.

The report packets are sent asynchronously with respect to the command packets received from the host. The host should not assume that the first packet received after it sends a command is the acknowledge packet for that command. The host should inspect the `type` field of incoming packets and process them accordingly.

REPORT CODES

The CFA-635 can be configured to report three items. The CFA-635 sends reports automatically when the data becomes available. Reports are not sent in response to a particular packet received from the host. The three report types are:



0x80: Key Activity

If a key is pressed or released, the CFA-635 sends a Key Activity report packet to the host. Key event reporting may be individually enabled or disabled by command [23 \(0x17\): Configure Key Reporting \(Pg. 38\)](#).

```
type = 0x80
data_length = 1
data[0] is the type of keyboard activity:
KEY_UP_PRESS           1
KEY_DOWN_PRESS        2
KEY_LEFT_PRESS        3
KEY_RIGHT_PRESS       4
KEY_ENTER_PRESS       5
KEY_EXIT_PRESS        6
KEY_UP_RELEASE        7
KEY_DOWN_RELEASE      8
KEY_LEFT_RELEASE      9
KEY_RIGHT_RELEASE     10
KEY_ENTER_RELEASE     11
KEY_EXIT_RELEASE      12
```

These codes are identical to the codes returned by the [CFA-633](#). Please note that the CFA-631 will return codes 13 through 20. (See the [CFA-631](#) Data Sheet on our website for more details.)

0x81: Fan Speed Report (SCAB required)

If any of up to the fans connected to CFA-635+SCAB is configured to report its speed information to the host, the CFA-635 will send Fan Speed Reports for each selected fan every 1/2 second. See command [16 \(0x10\): Set Up Fan Reporting \(SCAB required\) \(Pg. 34\)](#) below.

```
type = 0x81
data_length = 4
data[0] is the index of the fan being reported:
0 = FAN 1
1 = FAN 2
2 = FAN 3
3 = FAN 4
data[1] is number_of_fan_tach_cycles
data[2] is the MSB of Fan_Timer_Ticks
data[3] is the LSB of Fan_Timer_Ticks
```



The following C function will decode the fan speed from a Fan Speed Report packet into RPM:

```
int OnReceivedFanReport(COMMAND_PACKET *packet, char * output)
{
    int
        return_value;
    return_value=0;

    int
        number_of_fan_tach_cycles;
    number_of_fan_tach_cycles=packet->data[1];

    if(number_of_fan_tach_cycles<3)
        sprintf(output," STOP");
    else if(number_of_fan_tach_cycles<4)
        sprintf(output," SLOW");
    else if(0xFF==number_of_fan_tach_cycles)
        sprintf(output," ----");
    else
    {
        //Specific to each fan, most commonly 2
        int
            pulses_per_revolution;
        pulses_per_revolution=2;

        int
            Fan_Timer_Ticks;
        Fan_Timer_Ticks=(*(unsigned short *)(&(packet->data[2])));

        return_value=((27692308L/pulses_per_revolution)*
            (unsigned long)(number_of_fan_tach_cycles-3))/
            (Fan_Timer_Ticks);
        sprintf(output,"%5d",return_value);
    }
    return(return_value);
}
```

0x82: Temperature Sensor Report (SCAB required)

If any of the up to 32 temperature sensors is configured to report to the host, the CFA-635+SCAB will send Temperature Sensor Reports for each selected sensor every second. See the command [19 \(0x13\): Set Up Temperature Reporting \(SCAB required\) \(Pg. 35\)](#) below.

```
type = 0x82
data length = 4
data[0] is the index of the temperature sensor being reported:
    0 = temperature sensor 1
    1 = temperature sensor 2
    . . .
    31 = temperature sensor 32
data[1] is the LSB of Temperature_Sensor_Counts
data[2] is the MSB of Temperature_Sensor_Counts
data[3] is DOW_crc_status
```




The following C function will decode the Temperature Sensor Report packet into °C and °F:

```
void OnReceivedTempReport(COMMAND_PACKET *packet, char *output)
{
  //First check the DOW CRC return code from the CFA-635
  if(packet->data[3]==0)
    strcpy(output,"BAD CRC");
  else
  {
    double
      degc;
    degc=(*(short *)&(packet->data[1]))/16.0;

    double
      degf;
    degf=(degc*9.0)/5.0+32.0;

    sprintf(output,"%9.4f°C =%9.4f°F",
            degc,
            degf);
  }
}
```

COMMAND CODES

Below is a list of valid commands for the CFA-635. Each command packet is answered by either a response packet or an error packet. The low 6 bits of the `type` field of the response or error packet is the same as the low 6 bits of the `type` field of the command packet being acknowledged.

0 (0x00): Ping Command

The CFA-635 will return the Ping Command to the host.

```
type = 0x00 = 010
valid data_length is 0 to 16
data[0-(data_length-1)] can be filled with any arbitrary data
```

The return packet is identical to the packet sent, except the type will be 0x40 (normal response, Ping Command):

```
type = 0x40 | 0x00 = 0x40 = 6410
data_length = (identical to received packet)
data[0-(data_length-1)] = (identical to received packet)
```

1 (0x01): Get Hardware & Firmware Version

The CFA-635 will return the hardware and firmware version information to the host.

```
type = 0x01 = 110
valid data_length is 0
```

The return packet will be:

```
type = 0x40 | 0x01 = 0x41 = 6510
data_length = 16
data[] = "CFA635:hX.X,yY.Y"
```

X.X is the hardware revision, "1.0" for example
 yY.Y is the firmware version, "s1.3" for example

2 (0x02): Write User Flash Area

The CFA-635 reserves 16 bytes of nonvolatile memory for arbitrary use by the host. This memory can be used to store a serial number, IP address, gateway address, netmask, or any other data required. All 16 bytes must be supplied.



```
type = 0x02 = 210  
valid data length is 16  
data[] = 16 bytes of arbitrary user data to be stored in  
the CFA-635's non-volatile memory
```

The return packet will be:

```
type = 0x40 | 0x02 = 0x42 = 6610  
data_length = 0
```

3 (0x03): Read User Flash Area

This command will read the User Flash Area and return the data to the host.

```
type = 0x03 = 310  
valid data_length is 0
```

The return packet will be:

```
type = 0x40 | 0x03 = 0x43 = 6710  
data_length = 16  
data[] = 16 bytes user data recalled from the CFA-635's  
non-volatile memory
```

4 (0x04): Store Current State As Boot State

The CFA-635 loads its power-up configuration from nonvolatile memory when power is applied. The CFA-635 is configured at the factory to display a “welcome screen” when power is applied. This command can be used to customize the welcome screen, as well as the following items:

- Characters shown on LCD, which are affected by:
 - Command [6 \(0x06\): Clear LCD Screen \(Pg. 31\)](#).
 - Command [7. Deprecated \(Pg. 32\)](#). See command [31 \(0x1F\): Send Data to LCD \(Pg. 44\)](#).
 - Command [8. Deprecated \(Pg. 32\)](#). See command [31 \(0x1F\): Send Data to LCD \(Pg. 44\)](#).
 - Command [31 \(0x1F\): Send Data to LCD \(Pg. 44\)](#).
- Special character font definitions (command [9 \(0x09\): Set LCD Special Character Data \(Pg. 32\)](#)).
- Cursor position (command [11 \(0x0B\): Set LCD Cursor Position \(Pg. 33\)](#)).
- Cursor style (command [12 \(0x0C\): Set LCD Cursor Style \(Pg. 33\)](#)).
- Contrast setting (command [13 \(0x0D\): Set LCD Contrast \(Pg. 33\)](#)).
- Backlight setting (command [14 \(0x0E\): Set LCD & Keypad Backlight \(Pg. 33\)](#)).
- Fan power settings (command [17 \(0x11\): Set Fan Power \(SCAB required\) \(Pg. 34\)](#)).
- Key press and release masks (command [23 \(0x17\): Configure Key Reporting \(Pg. 38\)](#)).
- Fan glitch delay settings (command [26 \(0x1A\): Set Fan Tachometer Glitch Filter \(SCAB required\) \(Pg. 39\)](#)).
- ATX function enable and pulse length settings (command [28 \(0x1C\): Set ATX Power Switch Functionality \(SCAB required\) \(Pg. 41\)](#)).
- Key legends (command [32 \(0x20\): Reserved for CFA-631 Key Legends \(Pg. 44\)](#)).
- Baud rate (command [33 \(0x21\): Set Baud Rate \(Pg. 44\)](#)).
- GPIO settings (command [34 \(0x22\): Set or Set and Configure GPIO Pin \(Pg. 44\)](#)).
- The front panel LED/GPO settings ([34 \(0x22\): Set or Set and Configure GPIO Pin \(Pg. 44\)](#)).

You cannot store the fan or temperature reporting, or the fan fail-safe or host watchdog. The host software should enable these items once the system is initialized and it is ready to receive the data.

```
type = 0x04 = 410  
valid data_length is 0
```



The return packet will be:

```
type = 0x40 | 0x04 = 0x44 = 6810  
data_length = 0
```

5 (0x05): Reboot CFA-635, Reset Host (SCAB required), or Power Off Host (SCAB required)

This command instructs the CFA-635+SCAB to simulate a power-on restart of itself, reset the host, or turn the host's power off. The ability to reset the host may be useful to allow certain host operating system configuration changes to complete. The ability to turn the host's power off under software control may be useful in systems that do not have ACPI compatible BIOS.

NOTE

The GPIO pins used for ATX control must not be configured as user GPIO, and must be configured to their default drive mode in order for the ATX functions to work correctly. These settings are factory default, but may be changed by the user. Please see command [34 \(0x22\): Set or Set and Configure GPIO Pin \(Pg. 44\)](#).

Rebooting the CFA-635 may be useful when testing the boot configuration. It may also be useful to re-enumerate the devices on the 1-Wire bus (SCAB required). To reboot the CFA-635, send the following packet:

```
type = 0x05 = 510  
valid data_length is 3  
data[0] = 8  
data[1] = 18  
data[2] = 99
```

To reset the host (SCAB required), assuming the host's reset line is connected to GPIO[3] as described in command [28 \(0x1C\): Set ATX Power Switch Functionality \(SCAB required\) \(Pg. 41\)](#), send the following packet:

```
type = 0x05 = 510  
valid data_length is 3  
data[0] = 12  
data[1] = 28  
data[2] = 97
```

To turn the host's power off (SCAB required), assuming the host's power control line is connected to GPIO[2] as described in command [28 \(0x1C\): Set ATX Power Switch Functionality \(SCAB required\) \(Pg. 41\)](#), send the following packet:

```
type = 0x05 = 510  
valid data_length is 3  
data[0] = 3  
data[1] = 11  
data[2] = 95
```

In any of the above cases, the return packet will be:

```
type = 0x40 | 0x05 = 0x45 = 6910  
data_length = 0
```

6 (0x06): Clear LCD Screen

Sets the contents of the LCD screen DDRAM to ' ' = 0x20 = 32 and moves the cursor to the left-most column of the top line.

```
type = 0x06 = 610  
valid data_length is 0
```



The return packet will be:

```
type = 0x40 | 0x06 = 0x46 = 7010
data_length = 0
```

Clear LCD Screen is one of the items stored by the command [4 \(0x04\): Store Current State As Boot State \(Pg. 30\)](#).

7 (0x07): Deprecated (See command [31 \(0x1F\): Send Data to LCD \(Pg. 44\)](#))

8 (0x08): Deprecated (See command [31 \(0x1F\): Send Data to LCD \(Pg. 44\)](#))

9 (0x09): Set LCD Special Character Data

Sets the font definition for one of the special characters (CGRAM).

```
type = 0x09 = 910
valid data_length is 9
data[0] = index of special character that you would like
           to modify, 0-7 are valid
data[1-8] = bitmap of the new font for this character
```

`data[1-8]` are the bitmap information for this character. Any value is valid between 0 and 63, the msb is at the left of the character cell of the row, and the lsb is at the right of the character cell. `data[1]` is at the top of the cell, `data[8]` is at the bottom of the cell.

Additionally, if you set bit 7 of any of the data bytes, the entire line will blink.

The return packet will be:

```
type = 0x40 | 0x09 = 0x49 = 7310
data_length = 0
```

Set LCD Special Character Data is one of the items stored by the command [4 \(0x04\): Store Current State As Boot State \(Pg. 30\)](#).

10 (0x0A): Read 8 Bytes of LCD Memory

This command will return the contents of the LCD's DDRAM or CGRAM. This command is intended for debugging.

```
type = 0x0A = 1010
valid data_length is 1
data[0] = address code of desired data
```

`data[0]` is the address code native to the LCD controller:

```
0x40 ( 64) to 0x7F (127) for CGRAM
0x80 (128) to 0x93 (147) for DDRAM, line 0
0xA0 (160) to 0xB3 (179) for DDRAM, line 1
0xC0 (192) to 0xD3 (211) for DDRAM, line 2
0xE0 (224) to 0xF3 (243) for DDRAM, line 3
```

The return packet will be:

```
type = 0x40 | 0x0A = 0x4A = 7410
data_length = 9
```

`data[0]` of the return packet will be the address code.

`data[1-8]` of the return packet will be the data read from the LCD controller's memory.



11 (0x0B): Set LCD Cursor Position

This command allows the cursor to be placed at the desired location on the CFA-635's LCD screen. If you want the cursor to be visible, you may also need to send a command [12 \(0x0C\): Set LCD Cursor Style \(Pg. 33\)](#).

```
type = 0x0B = 1110
valid data_length is 2
data[0] = column (0-19 valid)
data[1] = row (0-3 valid)
```

The return packet will be:

```
type = 0x40 | 0x0B = 0x4B = 7510
data_length = 0
```

Set LCD Cursor Position is one of the items stored by the command [4 \(0x04\): Store Current State As Boot State \(Pg. 30\)](#).

12 (0x0C): Set LCD Cursor Style

This command allows you to select among four hardware generated cursor options.

```
type = 0x0C = 1210
valid data_length is 1
data[0] = cursor style (0-4 valid)
    0 = no cursor
    1 = blinking block cursor
    2 = underscore cursor
    3 = blinking block plus underscore
    4 = inverting, blinking block
```

The return packet will be:

```
type = 0x40 | 0x0C = 0x4C = 7610
data_length = 0
```

Set LCD Cursor Style is one of the items stored by the command [4 \(0x04\): Store Current State As Boot State \(Pg. 30\)](#).

13 (0x0D): Set LCD Contrast

This command sets the contrast or vertical viewing angle of the display.

```
type = 0x0D = 1310
valid data_length is 1
data[0] = contrast setting (0-255 valid)
    0-65 = very light
    66 = light
    95 = about right
    125 = dark
    126-255 = very dark
```

The return packet will be:

```
type = 0x40 | 0x0D = 0x4D = 7710
data_length = 0
```

Set LCD Contrast is one of the items stored by the command [4 \(0x04\): Store Current State As Boot State \(Pg. 30\)](#).

14 (0x0E): Set LCD & Keypad Backlight

This command sets the brightness of the LCD and keypad backlights.



```
type = 0x0E = 1410
valid data length is 1
data[0] = backlight power setting (0-100 valid)
        0 = off
        1-99 = variable brightness
        100 = on
```

The return packet will be:

```
type = 0x40 | 0x0E = 0x4E = 7810
data_length = 0
```

Set LCD & Keypad Backlight is one of the items stored by the command [4 \(0x04\): Store Current State As Boot State \(Pg. 30\)](#).

15 (0x0F): (Deprecated)

16 (0x10): Set Up Fan Reporting (SCAB required)

Note: Fan 4 is disabled and unused in the CFA635-YYE-KS+SCAB.

This command will configure the CFA-635+SCAB to report the fan speed information to the host every 500 mS.

```
type = 0x10 = 1610
valid data length is 1
data[0] = bitmask indicating which fans are enabled to
        report (0-15 valid)
---- 8421 Enable Reporting of this Fan's Tach Input
|||||  |-- Fan 1: 1 = enable, 0 = disable
|||||  |-- Fan 2: 1 = enable, 0 = disable
|||||  |---- Fan 3: 1 = enable, 0 = disable
|||||  |---- Fan 4: 1 = enable, 0 = disable
```

The return packet will be:

```
type = 0x40 | 0x10 = 0x50 = 8010
data_length = 0
```

If data [0] is not 0, then the CFA-635+SCAB will start sending 0x81: Fan Speed Report packets for each enabled fan every 500 mS. (See [0x81: Fan Speed Report \(SCAB required\) \(Pg. 27\)](#).) Each of the report packets is staggered by 1/8 of a second.

Reporting a fan will override the fan power setting to 100% for up to 1/8 of a second every 1/2 second. Please see Fan Connections in [CFA-SCAB Data Sheet](#) for a detailed description.

17 (0x11): Set Fan Power (SCAB required)

Note: Fan 4 is disabled and unused in the CFA635-YYE-KS+SCAB.

This command will configure the power for the fan connectors. The fan power setting is one of the items stored by the command [4 \(0x04\): Store Current State As Boot State \(Pg. 30\)](#).

```
type = 0x11 = 1710
valid data length is 4
data[0] = power level for FAN 1 (0-100 valid)
data[1] = power level for FAN 2 (0-100 valid)
data[2] = power level for FAN 3 (0-100 valid)
data[3] = power level for FAN 4 (0-100 valid)
```



The return packet will be:

```
type = 0x40 | 0x11 = 0x51 = 8110  
data_length = 0
```

Set Fan Power is one of the items stored by the command [4 \(0x04\): Store Current State As Boot State \(Pg. 30\)](#).

18 (0x12): Read DOW Device Information (SCAB required)

When power is applied to the CFA-635+SCAB, it detects any devices connected to the Dallas Semiconductor 1-Wire (DOW) bus and stores the device's information. This command will allow the host to read the device's information. The first byte returned is the Family Code of the Dallas 1-Wire / iButton device. There is a list of the possible Dallas 1-Wire / iButton device family codes available in [App Note 155: 1-Wire Software Resource Guide](#) on the Maxim/Dallas website.

NOTE ON COMMAND 18: READ DOW DEVICE INFORMATION

The GPIO pin used for DOW must not be configured as user GPIO. It must be configured to its default drive mode in order for the DOW functions to work correctly.

These settings are factory default but may be changed by the user. Please see command [34 \(0x22\): Set or Set and Configure GPIO Pin \(Pg. 44\)](#).

In order for the DOW subsystem to be enabled and operate correctly, user GPIO[4] must be configured as:

```
DDD = "111: 1=Hi-Z, 0=Slow, Strong Drive Down".  
F = "0: Port unused for user GPIO."
```

This state is the factory default, but it can be changed and saved by the user. To ensure that GPIO[4] is set correctly and the DOW operation is enabled, send the following command:

```
command = 34  
length = 3  
data[0] = 4  
data[1] = 100  
data[2] = 7
```

This setting must be saved as the boot state, so when the CFA-635+SCAB reboots it will detect the DOW devices.

```
type = 0x12 = 1810  
valid data_length is 1  
data[0] = device index (0-31 valid)
```

The return packet will be:

```
type = 0x40 | 0x12 = 0x52 = 8210  
data_length = 9  
data[0] = device index (0-31 valid)  
data[1-8] = ROM ID of the device
```

If data[1] is 0x22 ([DS1822](#) Econo 1-Wire Digital Thermometer temperature sensor) or 0x28 ([DS18B20](#) High Precision 1-Wire Digital Thermometer temperature sensor), then that device can be set up to automatically convert and report the temperature every second. See the command [19 \(0x13\): Set Up Temperature Reporting \(SCAB required\) \(Pg. 35\)](#).

19 (0x13): Set Up Temperature Reporting (SCAB required)

This command will configure the CFA-635 to report the temperature information to the host every second.



```
type = 0x13 = 1910
valid data_length is 4
data[0-3] = 32-bit bitmask indicating which temperature
            sensors fans are enabled to report (0-255
            valid in each location)
```

```
data[0]
08 07 06 05 04 03 02 01 Enable Reporting of sensor with
| | | | | | | | device index of:
| | | | | | | | -- 0: 1 = enable, 0 = disable
| | | | | | | | --- 1: 1 = enable, 0 = disable
| | | | | | | | --- 2: 1 = enable, 0 = disable
| | | | | | | | --- 3: 1 = enable, 0 = disable
| | | | | | | | --- 4: 1 = enable, 0 = disable
| | | | | | | | --- 5: 1 = enable, 0 = disable
| | | | | | | | --- 6: 1 = enable, 0 = disable
| | | | | | | | --- 7: 1 = enable, 0 = disable
```

```
data[1]
16 15 14 13 12 11 10 09 Enable Reporting of sensor with
| | | | | | | | device index of:
| | | | | | | | -- 8: 1 = enable, 0 = disable
| | | | | | | | --- 9: 1 = enable, 0 = disable
| | | | | | | | --- 10: 1 = enable, 0 = disable
| | | | | | | | --- 11: 1 = enable, 0 = disable
| | | | | | | | --- 12: 1 = enable, 0 = disable
| | | | | | | | --- 13: 1 = enable, 0 = disable
| | | | | | | | --- 14: 1 = enable, 0 = disable
| | | | | | | | --- 15: 1 = enable, 0 = disable
```

```
data[2]
24 23 22 21 20 19 18 17 Enable Reporting of sensor with
| | | | | | | | device index of:
| | | | | | | | -- 16: 1 = enable, 0 = disable
| | | | | | | | --- 17: 1 = enable, 0 = disable
| | | | | | | | --- 18: 1 = enable, 0 = disable
| | | | | | | | --- 19: 1 = enable, 0 = disable
| | | | | | | | --- 20: 1 = enable, 0 = disable
| | | | | | | | --- 21: 1 = enable, 0 = disable
| | | | | | | | --- 22: 1 = enable, 0 = disable
| | | | | | | | --- 23: 1 = enable, 0 = disable
```

```
data[3]
32 31 30 29 28 27 26 25 Enable Reporting of sensor with
| | | | | | | | device index of:
| | | | | | | | -- 24: 1 = enable, 0 = disable
| | | | | | | | --- 25: 1 = enable, 0 = disable
| | | | | | | | --- 26: 1 = enable, 0 = disable
| | | | | | | | --- 27: 1 = enable, 0 = disable
| | | | | | | | --- 28: 1 = enable, 0 = disable
| | | | | | | | --- 29: 1 = enable, 0 = disables
| | | | | | | | --- 30: 1 = enable, 0 = disable
| | | | | | | | --- 31: 1 = enable, 0 = disable
```

Any sensor enabled must have been detected as a 0x22 (DS1822 temperature sensor) or 0x28 (DS18B20 temperature sensor) during DOW enumeration. This can be verified by using the command [18 \(0x12\): Read DOW Device Information \(SCAB required\) \(Pg. 35\)](#).

The return packet will be:

```
type = 0x40 | 0x13 = 0x53 = 8310
data_length = 0
```




20 (0x14): Arbitrary DOW Transaction (SCAB required)

The CFA-635+SCAB can function as a RS-232 to Dallas 1-Wire bridge. The CFA-635+SCAB can send up to 15 bytes and receive up to 14 bytes. This will be sufficient for many devices, but some devices require larger transactions and cannot be fully used with the CFA-635+SCAB. This command allows you to specify arbitrary transactions on the 1-Wire bus. 1-Wire commands follow this basic layout:

```
<bus reset           //Required
<address_phase>    //Must be "Match ROM" or "Skip ROM"
<write_phase>      //optional, but at least one of write_phase or read_phase must be sent
<read_phase>       //optional, but at least one of write_phase or read_phase must be sent
```

Please see [APPENDIX A: CONNECTING A DS2450 1-WIRE QUAD A/D CONVERTER \(SCAB REQUIRED\) \(Pg. 51\)](#) for an example of using this command.

```
type = 0x14 = 2010
valid data_length is 2 to 16
data[0] = device_index (0-32 valid)
data[1] = number_of_bytes_to_read (0-14 valid)
data[2-15] = data_to_be_written[data_length-2]
```

If `device_index` is 32, then no address phase will be executed. If `device_index` is in the range of 0 to 31, and a 1-Wire device was detected for that `device_index` at power on, then the write cycle will be prefixed with a "Match ROM" command and the address information for that device.

If `data_length` is two, then no specific write phase will be executed (although address information may be written independently of `data_length` depending on the value of `device_index`).

If `data_length` is greater than two, then `data_length-2` bytes of `data_to_be_written` will be written to the 1-Wire bus immediately after the address phase.

If `number_of_bytes_to_read` is zero, then no read phase will be executed. If `number_of_bytes_to_read` is not zero then `number_of_bytes_to_read` will be read from the bus and loaded into the response packet.

The return packet will be:

```
type = 0x40 | 0x14 = 0x54 = 8410
data_length = 2 to 16
data[0] = device_index (0-31 valid)
data[data_length-2] = Data read from the 1-Wire bus. This is the same
                    as number_of_bytes_to_read from the command.
data[data_length-1] = 1-Wire CRC
```

21 (0x15): Deprecated

22 (0x16): Send Command Directly to the LCD Controller

The LCD controller on the CFA-635 is S6A0073 compatible. Generally you won't need low-level access to the LCD controller but some arcane functions of the S6A0073 are not exposed by the CFA-635's command set. This command allows you to access the CFA-635's LCD controller directly. Note: It is possible to corrupt the CFA-635 display using this command.

```
type = 0x16 = 2210
data_length = 2
data[0]: location code
        0 = "Data" register
        1 = "Control" register, RE=0
        2 = "Control" register, RE=1
data[1]: data to write to the selected register
```



The return packet will be:

```
type = 0x40 | 0x16 = 0x56 = 8610  
data_length = 0
```

23 (0x17): Configure Key Reporting

By default, the CFA-635 reports any key event to the host. This command allows the key events to be enabled or disabled on an individual basis. The key events set to report are one of the items stored by the command [4 \(0x04\): Store Current State As Boot State \(Pg. 30\)](#).

```
#define KP_UP      0x01  
#define KP_ENTER  0x02  
#define KP_CANCEL 0x04  
#define KP_LEFT   0x08  
#define KP_RIGHT  0x10  
#define KP_DOWN   0x20
```

```
type = 0x17 = 2310  
data_length = 2  
data[0]: press mask  
data[1]: release mask
```

The return packet will be:

```
type = 0x40 | 0x17 = 0x57 = 8710  
data_length = 0
```

Configure Key Reporting is one of the items stored by the command [4 \(0x04\): Store Current State As Boot State \(Pg. 30\)](#).

24 (0x18): Read Keypad, Polled Mode

In some situations, it may be convenient for the host to poll the CFA-635 for key activity. This command allows the host to detect which keys are currently pressed, which keys have been pressed since the last poll, and which keys have been released since the last poll.

This command is independent of the key reporting masks set by command [23 \(0x17\): Configure Key Reporting \(Pg. 38\)](#). All keys are always visible to this command. Typically both masks of command 23 would be set to "0" if the host is reading the keypad in polled mode.

```
#define KP_UP      0x01  
#define KP_ENTER  0x02  
#define KP_CANCEL 0x04  
#define KP_LEFT   0x08  
#define KP_RIGHT  0x10  
#define KP_DOWN   0x20
```

```
type = 0x18 = 2410  
data_length = 0
```

The return packet will be:

```
type = 0x40 | 0x18 = 0x58 = 8810  
data_length = 3  
data[0] = bit mask showing the keys currently pressed  
data[1] = bit mask showing the keys that have been pressed since  
          the last poll  
data[2] = bit mask showing the keys that have been released since  
          the last poll
```



25 (0x19): Set Fan Power Fail-Safe (SCAB required)

Note: Fan 4 is disabled and unused in the CFA635-YYE-KS+SCAB.

The combination of the CFA-635+SCAB can be used as part of an active cooling system. For instance, the fans in a system can be slowed down to reduce noise when a system is idle or when the ambient temperature is low, and sped up when the system is under heavy load or the ambient temperature is high.

Since there are a very large number of ways to control the speed of the fans (thresholds, thermostat, proportional, PID, multiple temperature sensors “contributing” to the speed of several fans . . .) there was no way to foresee the particular requirements of your system and include an algorithm in the CFA-635’s firmware that would be an optimal fit for your application.

Varying fan speeds under host software control gives the ultimate flexibility in system design but would typically have a fatal flaw: a host software or hardware failure could cause the cooling system to fail. If the fans were set at a slow speed when the host software failed, system components may be damaged due to inadequate cooling.

The fan power fail-safe command allows host control of the fans without compromising safety. When the fan control software activates, it should set the fans that are under its control to fail-safe mode with an appropriate timeout value. If for any reason the host fails to update the power of the fans before the timeout expires, the fans previously set to fail-safe mode will be forced to 100% power.

```
#define FAN_1      0x01
#define FAN_2      0x02
#define FAN_3      0x04
#define FAN_4      0x08

type = 0x19 = 2510
data_length = 2
data[0] = bit mask of fans set to fail-safe
data[1] = timeout value in 1/8 second ticks:
    1 = 1/8 second
    2 = 1/4 second
    255 = 31 7/8 seconds
```

The return packet will be:

```
type = 0x40 | 0x19 = 0x59 = 8910
data_length = 0
```

26 (0x1A): Set Fan Tachometer Glitch Filter (SCAB required)

Note: Fan 4 is disabled and unused in the CFA635-YYE-KS+SCAB.

The combination of the CFA-635+SCAB controls fan speed by using PWM. Using PWM turns the power to a fan on and off quickly to change the average power delivered to the fan. The CFA-635 uses approximately 18 Hz for the PWM repetition rate. The fan’s tachometer output is only valid if power is applied to the fan. Most fans produce a valid tachometer output very quickly after the fan has been turned back on but some fans take time after being turned on before their tachometer output is valid.

This command allows you to set a variable-length delay after the fan has been turned on before the CFA-635 will recognize transitions on the tachometer line. The delay is specified in counts, each count being nominally 552.5 μS long (1/100 of one period of the 18 Hz PWM repetition rate).

In practice, most fans will not need the delay to be changed from the default length of 1 count. If a fan’s tachometer output is not stable when its PWM setting is other than 100%, simply increase the delay until the reading is stable. Typically you would (1) start at a delay count of 50 or 100, (2) reduce it until the problem reappears, and then (3) slightly increase the delay count to give it some margin.



Setting the glitch delay to higher values will make the RPM monitoring slightly more intrusive at low power settings. Also, the higher values will increase the lowest speed that a fan with RPM reporting enabled will “seek” at “0%” power setting.

The Fan Glitch Delay is one of the items stored by the command [4 \(0x04\): Store Current State As Boot State \(Pg. 30\)](#).

```
type = 0x1A = 2610
data_length = 4
data[0] = delay count of fan 1
data[1] = delay count of fan 2
data[2] = delay count of fan 3
data[3] = delay count of fan 4
```

The return packet will be:

```
type = 0x40 | 0x1A = 0x5A = 9010
data_length = 0
```

27 (0x1B): Query Fan Power & Fail-Safe Mask (SCAB required)

Note: Fan 4 is disabled and unused in the CFA635-YYE-KS+SCAB.

This command can be used to verify the current fan power and verify which fans are set to fail-safe mode.

```
#define FAN_1      0x01
#define FAN_2      0x02
#define FAN_3      0x04
#define FAN_4      0x08
```

```
type = 0x1B = 2710
data_length = 0
```

The return packet will be:

```
type = 0x40 | 0x1B = 0x5B = 9110
data_length = 5
data[0] = fan 1 power
data[1] = fan 2 power
data[2] = fan 3 power
data[3] = fan 4 power
data[4] = bit mask of fans with fail-safe set
```



28 (0x1C): Set ATX Power Switch Functionality (SCAB required)

The combination of the CFA-635+SCAB with the optional [WRPWRY14](#) cable can be used to replace the function of the power and reset switches in a standard ATX-compatible system. The ATX Power Switch Functionality is one of the items stored by the command [4 \(0x04\): Store Current State As Boot State \(Pg. 30\)](#).

NOTE ON COMMAND 28: SET ATX POWER SWITCH FUNCTIONALITY

The GPIO pins used for ATX control must not be configured as user GPIO. The pins must be configured to their default drive mode in order for the ATX functions to work correctly.

These settings are factory default but may be changed by the user. Please see command [34 \(0x22\): Set or Set and Configure GPIO Pin \(Pg. 44\)](#). These settings must be saved as the boot state.

To ensure that GPIO[1] will operate correctly as ATX SENSE, user GPIO[1] must be configured as:

```
DDD = "011: 1=Resistive Pull Up, 0=Fast, Strong Drive Down".  
F = "0: Port unused for user GPIO."
```

This configuration can be assured by sending the following command:

```
command = 34  
length = 3  
data[0] = 1  
data[1] = 0  
data[2] = 3
```

To ensure that GPIO[2] will operate correctly as ATX POWER, user GPIO[2] must be configured as:

```
DDD = "010: Hi-Z, use for input".  
F = "0: Port unused for user GPIO."
```

This configuration can be assured by sending the following command:

```
command = 34  
length = 3  
data[0] = 2  
data[1] = 0  
data[2] = 2
```

To ensure that GPIO[3] will operate correctly as ATX RESET, user GPIO[3] must be configured as:

```
DDD = "010: Hi-Z, use for input".  
F = "0: Port unused for user GPIO."
```

This configuration can be assured by sending the following command:

```
command = 34  
length = 3  
data[0] = 3  
data[1] = 0  
data[2] = 2
```

These settings must be saved as the boot state.

The RESET (GPIO[3]) and POWER CONTROL (GPIO[2]) lines on the CFA-635+SCAB are normally high-impedance. Electrically, they appear to be disconnected or floating. When the CFA-635+SCAB asserts the RESET or POWER_CONTROL lines, they are momentarily driven high or low (as determined by the RESET_INVERT and POWER_INVERT bits, detailed below). To end the power or reset pulse, the CFA-635+SCAB changes the lines back to high-impedance.



FOUR FUNCTIONS ENABLED BY COMMAND 28

Function 1: KEYPAD_RESET

If POWER-ON SENSE (GPIO[1]) is high, holding the green check key for 4 seconds will pulse RESET (GPIO[3]) pin for 1 second. During the 1-second pulse, the CFA-635 will show "RESET", and then the CFA-635 will reset itself, showing its boot state as if it had just powered on. Once the pulse has finished, the CFA-635 will not respond to any commands until after it has reset the host and itself.

Function 2: KEYPAD_POWER_ON

If POWER-ON SENSE (GPIO[1]) is low, pressing the green check key for 0.25 seconds will pulse POWER CONTROL (GPIO[2]) for the duration specified by in data[1] or the default of 1 second. During this time the CFA-635 will show "POWER ON", then the CFA-635 will reset itself.

Function 3: KEYPAD_POWER_OFF

If POWER-ON SENSE (GPIO[1]) is high, holding the red "X" key for 4 seconds will pulse POWER CONTROL (GPIO[2]) for the duration specified by in data[1] or the default of 1 second. If the user continues to hold the power key down, then the CFA-635 will continue to drive the line for a maximum of 5 additional seconds. During this time the CFA-635 will show "POWER OFF".

Function 4: LCD_OFF_IF_HOST_IS_OFF

If LCD_OFF_IF_HOST_IS_OFF is set, the CFA-635 will blank its screen and turn off its backlight to simulate its power being off any time POWER-ON SENSE (GPIO[1]) is low. The CFA-635 will still be active (since it is powered by V_{SB}), monitoring the keypad for a power-on keystroke. If +12v remains active (which would not be expected, since the host is "off"), the fans will remain on at their previous settings. Once POWER-ON SENSE (GPIO[1]) goes high, the CFA-635 will reboot as if power had just been applied to it.

```
#define RESET_INVERT           0x02 //Reset pin drives high instead of low
#define POWER_INVERT          0x04 //Power pin drives high instead of low
#define LCD_OFF_IF_HOST_IS_OFF 0x10
#define KEYPAD_RESET          0x20
#define KEYPAD_POWER_ON       0x40
#define KEYPAD_POWER_OFF      0x80

type = 0x1C = 2810
data_length = 1 or 2
data[0]: bit mask of enabled functions
data[1]: (optional) length of power on & off pulses in 1/32 second
         1 = 1/32 sec
         2 = 1/16 sec
         16 = 1/2 sec
         255 = 8 sec
```

The return packet will be:

```
type = 0x40 | 0x1C = 0x5C = 9210
data_length = 0
```

29 (0x1D): Enable/Disable and Reset the Watchdog (SCAB required)

Some high-availability systems use hardware watchdog timers to ensure that a software or hardware failure does not result in an extended system outage. Once the host system has booted, a system monitor program is started. The



system monitor program would enable the watchdog timer on the CFA-635+SCAB. If the system monitor program fails to reset the CFA-635+SCAB's watchdog timer, the CFA-635+SCAB will reset the host system.

NOTE

The GPIO pins used for ATX control must not be configured as user GPIO. They must be configured to their default drive mode in order for the ATX functions to work correctly. These settings are factory default, but may be changed by the user. Please see the note under command [28 \(0x1C\): Set ATX Power Switch Functionality \(SCAB required\) \(Pg. 41\)](#) or command [34 \(0x22\): Set or Set and Configure GPIO Pin \(Pg. 44\)](#).

```
type = 0x1D = 2910  
data_length = 1  
data[0] = enable/timeout
```

If timeout is 0, the watchdog is disabled.

If timeout is 1-255, then this command must be issued again within timeout seconds to avoid a watchdog reset.

To turn the watchdog off once it has been enabled, simply set timeout to 0.

If the command is not re-issued within timeout seconds, then the CFA-635+SCAB will reset the host (see command 28 for details). Since the watchdog is off by default when the CFA-635+SCAB powers up, the CFA-635+SCAB will not issue another host reset until the host has once again enabled the watchdog.

The return packet will be:

```
type = 0x40 | 0x1D = 0x5D = 9310  
data_length = 0
```

30 (0x1E): Read Reporting & Status

Note: Fan 4 is disabled in the CFA635-YYE-KS+SCAB.

This command can be used to verify the current items configured to report to the host, as well as some other miscellaneous status information.

```
type = 0x1E = 3010  
data_length = 0
```

The return packet will be:

```
type = 0x40 | 0x1E = 0x5E = 9410  
data_length = 15  
data[0] = fan 1-4 reporting status (as set by command 16)  
data[1] = temperatures 1-8 reporting status (as set by command 19)  
data[2] = temperatures 9-15 reporting status (as set by command 19)  
data[3] = temperatures 16-23 reporting status (as set by command 19)  
data[4] = temperatures 24-32 reporting status (as set by command 19)  
data[5] = key presses (as set by command 23)  
data[6] = key releases (as set by command 23)  
data[7] = ATX Power Switch Functionality (as set by command 28), and  
        bit 0x08 will be set if the watchdog is active  
data[8] = current watchdog counter (as set by command 29)  
data[9] = fan RPM glitch delay[0] (as set by command 26)  
data[10] = fan RPM glitch delay[1] (as set by command 26)  
data[11] = fan RPM glitch delay[2] (as set by command 26)  
data[12] = fan RPM glitch delay[3] (as set by command 26)  
data[13] = contrast setting (as set by command 13)  
data[14] = backlight setting (as set by command 14)
```



Please Note: Previous and future firmware versions may return fewer or additional bytes.

31 (0x1F): Send Data to LCD

This command allows data to be placed at any position on the LCD.

```
type = 0x1F = 3110
data_length = 3 to 22
data[0]: col = x = 0 to 19
data[1]: row = y = 0 to 3
data[2-21]: text to place on the LCD, variable from 1 to 20 characters
```

The return packet will be:

```
type = 0x40 | 0x1F = 0x5F = 9510
data_length = 0
```

Send Data to LCD is one of the items stored by the command [4 \(0x04\): Store Current State As Boot State \(Pg. 30\)](#).

32 (0x20): Reserved for CFA-631 Key Legends

33 (0x21): Set Baud Rate

This command will change the CFA-635's baud rate. The CFA-635 will send the acknowledge packet for this command and change its baud rate to the new value. The host should send the baud rate command, wait for a positive acknowledge from the CFA-635 at the old baud rate, and then switch itself to the new baud rate. The baud rate must be saved by the command [4 \(0x04\): Store Current State As Boot State \(Pg. 30\)](#) if you want the CFA-635 to power up at the new baud rate.

The factory default baud rate is 115200.

```
type = 0x21 = 3310
data_length = 1
data[0]: 0 = 19200 baud
         1 = 115200 baud
```

The return packet will be:

```
type = 0x40 | 0x21 = 0x61 = 9710
data_length = 0
```

34 (0x22): Set or Set and Configure GPIO Pin

The CFA-635 has five pins for user-definable general purpose input / output (GPIO). These pins are shared with the DOW and ATX functions. Be careful when you configure the GPIO if you want to use the ATX or DOW at the same time.

The architecture of the CFA-635 allows great flexibility in the configuration of the GPIO pins. They can be set as input or output. They can output constant high or low signals or a variable duty cycle 100 Hz PWM signal.

In output mode using the PWM (and a suitable current limiting resistor), an LED may be turned on or off and even dimmed under host software control. With suitable external circuitry, the GPIOs can also be used to drive external logic or power transistors.

The CFA-635 continuously polls the GPIOs as inputs at 32 Hz. The present level can be queried by the host software at a lower rate. The CFA-635 also keeps track of whether there were rising or falling edges since the last host query (subject to the resolution of the 32 Hz sampling). This means that the host is not forced to poll quickly in order to detect short events. The algorithm used by the CFA-635 to read the inputs is inherently "bounce-free".



The GPIOs also have “pull-up” and “pull-down” modes. These modes can be useful when using the GPIO as an input connected to a switch since no external pull-up or pull-down resistor is needed. For instance, the GPIO can be set to pull up. Then when a switch connected between the GPIO and ground is open, reading the GPIO will return a "1". When the switch is closed, the input will return a "0".

Pull-up/pull-down resistance values are approximately 5kΩ. Do not exceed current of 25 mA per GPIO.

NOTE ON SETTING AND CONFIGURING GPIO PINS

The GPIO pins may also be used for ATX control through the SCAB’s header J8 and temperature sensing through the SCAB’s DOW header. By factory default, the GPIO output setting, function, and drive mode are set correctly to enable operation of the ATX and DOW functions. **The GPIO output setting, function, and drive mode must be set to the correct values in order for the ATX and DOW functions to work. Improper use of this command can disable the ATX and DOW functions.** The [635_WinTest](#) may be used to easily check and reset the GPIO configuration to the default state so the ATX and DOW functions will work.

The GPIO configuration is one of the items stored by the command [4 \(0x04\): Store Current State As Boot State \(Pg. 30\)](#).

```
type: 0x22 = 3410
data length:
  2 bytes to change value only
  3 bytes to change value and configure function and drive mode
```

```
data[0]: index of GPIO/GPO to modify
  0 = GPIO[0] = (reserved, additional hardware required)
  1 = GPIO[1] = (reserved, additional hardware required)
  2 = GPIO[2] = (reserved, additional hardware required)
  3 = GPIO[3] = (reserved, additional hardware required)
  4 = GPIO[4] = (reserved, additional hardware required)
  5 = GPO[5] = LED 3 (bottom) green die
  6 = GPO[6] = LED 3 (bottom) red die
  7 = GPO[7] = LED 2 green die
  8 = GPO[8] = LED 2 red die
  9 = GPO[9] = LED 1 green die
 10 = GPO[10] = LED 1 red die
 11 = GPO[11] = LED 0 (top) green die
 12 = GPO[12] = LED 0 (top) red die
```

13-255: reserved

Please note: Future versions of this command on future hardware models may accept additional values for data[0], which would control the state of future additional GPIO pins

```
data[1] = Pin output state (actual behavior depends on drive mode):
  0 = Output set to low
  1-99: Output duty cycle percentage (100 Hz nominal)
 100 = Output set to high
101-255: invalid
```

(Continues on the next page.)



```
data[2] = Pin function select and drive mode (optional)
----- FDDD
||||| -- DDD = Drive Mode (based on output state of 1 or 0)
=====
000: 1=Fast, Strong Drive Up, 0=Resistive Pull Down
001: 1=Fast, Strong Drive Up, 0=Fast, Strong Drive Down
010: Hi-Z, use for input
011: 1=Resistive Pull Up, 0=Fast, Strong Drive Down
100: 1=Slow, Strong Drive Up, 0=Hi-Z
101: 1=Slow, Strong Drive Up, 0=Slow, Strong Drive Down
110: reserved, do not use
111: 1=Hi-Z, 0=Slow, Strong Drive Down

----- F = Function
=====
0: Port unused for GPIO. It will take on the default
function such as ATX, DOW or unused. The user is
responsible for setting the drive to the correct
value in order for the default function to work
correctly.
1: Port used for GPIO under user control. The user is
responsible for setting the drive to the correct
value in order for the desired GPIO mode to work
correctly.
----- reserved, must be 0
```

The return packet will be:

```
type = 0x40 | 0x22 = 0x62 = 9810
data_length = 0
```

35 (0x23): Read GPIO Pin Levels and Configuration State

Please see command [34 \(0x22\): Set or Set and Configure GPIO Pin \(Pg. 44\)](#) for details on the GPIO architecture.

```
type: 0x23 = 3510
data_length: 4
```

```
data[0]: index of GPIO to query
0 = GPIO[0] = J8, Pin 7
1 = GPIO[1] = J8, Pin 6 (default is ATX Host Power Sense)
2 = GPIO[2] = J8, Pin 5 (default is ATX Host Power Control)
3 = GPIO[3] = J8, Pin 4 (default is ATX Host Reset Control)
4 = GPIO[4] = J9, Pin 2 (default is DOW I/O--always has 1 K $\Omega$ 
hardware pull-up)
5-255: reserved
```

Please note: Future versions of this command on future hardware models may accept additional values for data[0], which would return the status of future additional GPIO pins

The return packet will be:

```
type = 0x40 | 0x23 = 0x63 = 9910
data_length = 4
```




CHARACTER GENERATOR ROM (CGROM)

To find the code for a given character, add the two numbers that are shown in bold for its row and column. For example, the superscript "9" is in the column labeled "128_d" and in the row labeled "9_d". So you would add 128 + 9 to get 137. When you send a byte with the value of 137 to the display, then a superscript "9" will be shown.

upper 4 bits lower 4 bits	0 _d 0000 ₂	16 _d 0001 ₂	32 _d 0010 ₂	48 _d 0011 ₂	64 _d 0100 ₂	80 _d 0101 ₂	96 _d 0110 ₂	112 _d 0111 ₂	128 _d 1000 ₂	144 _d 1001 ₂	160 _d 1010 ₂	176 _d 1011 ₂	192 _d 1100 ₂	208 _d 1101 ₂	224 _d 1110 ₂	240 _d 1111 ₂
0 _d 0000 ₂	CGRAM [0]															
1 _d 0001 ₂	CGRAM [1]															
2 _d 0010 ₂	CGRAM [2]															
3 _d 0011 ₂	CGRAM [3]															
4 _d 0100 ₂	CGRAM [4]															
5 _d 0101 ₂	CGRAM [5]															
6 _d 0110 ₂	CGRAM [6]															
7 _d 0111 ₂	CGRAM [7]															
8 _d 1000 ₂	CGRAM [0]															
9 _d 1001 ₂	CGRAM [1]															
10 _d 1010 ₂	CGRAM [2]															
11 _d 1011 ₂	CGRAM [3]															
12 _d 1100 ₂	CGRAM [4]															
13 _d 1101 ₂	CGRAM [5]															
14 _d 1110 ₂	CGRAM [6]															
15 _d 1111 ₂	CGRAM [7]															

Figure 16. Character Generator ROM (CGROM)



CARE AND HANDLING PRECAUTIONS

For optimum operation of the CFA635-YYE-KS and to prolong its life, please follow the precautions described below.

ESD (ELECTRO-STATIC DISCHARGE)

The circuitry is industry standard CMOS logic and susceptible to ESD damage. Please use industry standard antistatic precautions as you would for any other PCB such as expansion cards or motherboards. Ground your body, work surfaces, and equipment.

DESIGN AND MOUNTING

- The exposed surface of the LCD “glass” is actually a polarizer laminated on top of the glass. To protect the polarizer from damage, the CFA635-YYE-KS ships with a protective film over the polarizer. Please peel off the protective film slowly. Peeling off the protective film abruptly may generate static electricity.
- The polarizer is made out of soft plastic and is easily scratched or damaged. When handling the module, avoid touching the polarizer. Finger oils are difficult to remove.
- To protect the soft plastic polarizer from damage, place a transparent plate (for example, acrylic, polycarbonate, or glass) in front of the CFA635-YYE-KS, leaving a small gap between the plate and the display surface. We recommend GE HP-92 Lexan, which is readily available and works well.
- Do not disassemble or modify the module.
- Do not modify the tab of the metal holder or make connections to it.
- Do not reverse polarity to the power supply connections. Reversing polarity will immediately ruin the module.

AVOID SHOCK, IMPACT, TORQUE, AND TENSION

- Do not expose the module to strong mechanical shock, impact, torque, and tension.
- Do not drop, toss, bend, or twist the module.
- Do not place weight or pressure on the module.

IF LCD PANEL BREAKS

- If the LCD panel breaks, be careful to not get the liquid crystal fluid in your mouth or eyes.
- If the liquid crystal fluid touches your skin, clothes, or work surface, wash it off immediately using soap and plenty of water.
- Do not eat the LCD panel.

CLEANING

The polarizer (laminated to the glass) is soft plastic. The soft plastic is easily scratched or damaged. Damage will be especially obvious on a “negative” module (a module that appear dark when power is “off”). Be very careful when you clean the polarizer.

- Do not clean the polarizer with liquids. Do not wipe the polarizer with any type of cloth or swab (for example, Q-tips).
- Use the removable protective film to remove smudges (for example, fingerprints) and any foreign matter. If you no longer have the protective film, use standard transparent office tape (for example, Scotch® brand “Crystal Clear Tape”). If the polarizer is dusty, you may carefully blow it off with clean, dry, oil-free compressed air.



OPERATION

- Your circuit should be designed to protect the module from ESD and power supply transients.
- Observe the operating temperature limitations: a minimum of 0°C to a maximum of 50°C noncondensing with minimal fluctuation. Operation outside of these limits may shorten life and/or harm display.
 - At lower temperatures of this range, response time is delayed.
 - At higher temperatures of this range, display becomes dark. (You may need to adjust the contrast.)
- Operate away from dust, moisture, and direct sunlight.
-

STORAGE

- Store in an ESD-approved container away from dust, moisture, and direct sunlight.
- Observe the storage temperature limitations: a minimum of -10°C minimum to +60°C non-condensing maximum with minimal fluctuations. Rapid temperature changes can cause moisture to form, resulting in permanent damage.
- Do not allow weight to be placed on the modules while they are in storage.

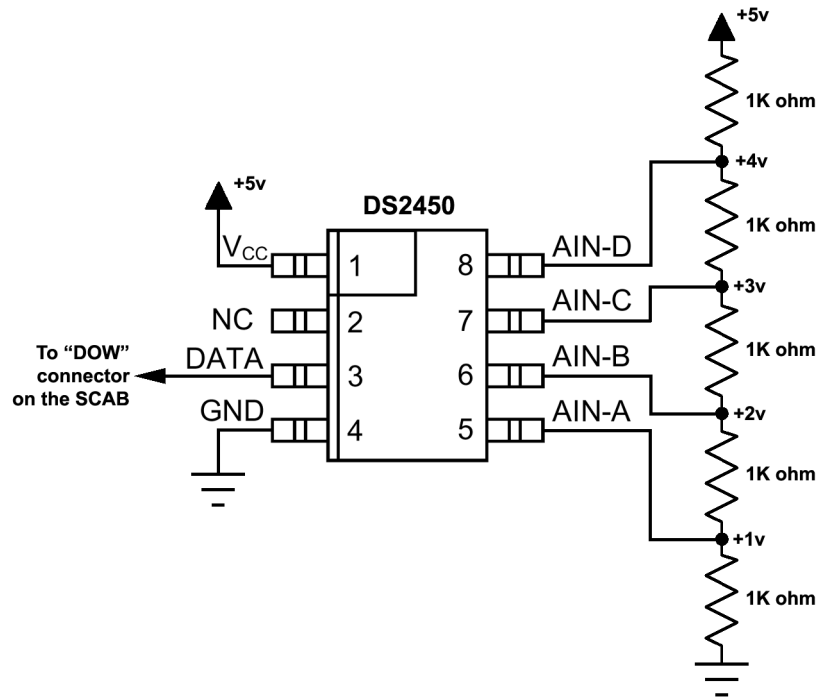


APPENDIX A: CONNECTING A DS2450 1-WIRE QUAD A/D CONVERTER (SCAB REQUIRED)

This appendix describes a simple test circuit that demonstrates how to connect a Dallas Semiconductor DS2450 4-channel ADC to the SCAB's "DOW" (Dallas One Wire) connector. It also gives a sample command sequence to initialize and read the ADC.

Up to 32 DOW devices can be connected to the CFA-635+SCAB. In this example the DS2450 appears at device index 0. Your software should query the connected devices using command [18 \(0x12\): Read DOW Device Information \(SCAB required\) \(Pg. 35\)](#) to verify the locations and types of DOW devices connected in your application.

Please refer to the [DS2450 Data Sheet](#) and the description for command [20 \(0x14\): Arbitrary DOW Transaction \(SCAB required\) \(Pg. 37\)](#) more information.



Appendix A Figure 1. CFA-635 Test Circuit Schematic

Start [635 WinTest](#) and open the Packet Debugger dialog.

Select Command 20 = Arbitrary DOW Transaction, then paste each string below into the data field and send the packet. The response should be similar to what is shown.



```
//Write 0x40 (=64) to address 0x1C (=28) to leave analog circuitry on
//(see page 6 of the data sheet)
<command 20> \000\002\085\028\000\064
<response> C=84(d=0):2E,05,22 //16 bit "i-button" CRC + 8-bit "DOW" CRC
//Consult "i-button" docs to check 16-bit CRC
//DOW CRC is probably useless for this device.

//Write all 8 channels of control/status (16 bits, 5.10v range)
<command 20> \000\002\085\008\000\000 // address = 8, channel A low
<response> C=84(d=0):6F,F1,68 // 16-bits, output off

<command 20> \000\002\085\009\000\001 // address = 9, channel A high
<response> C=84(d=0):FF,F1,AB // no alarms, 5.1v

<command 20> \000\002\085\010\000\000 // address = 10, channel B low
<response> C=84(d=0):CE,31,88 // 16-bits, output off

<command 20> \000\002\085\011\000\001 // address = 11, channel B high
<response> C=84(d=0):5E,31,4B // no alarms, 5.1v

<command 20> \000\002\085\012\000\000 // address = 12, channel C low
<response> C=84(d=0):2E,30,A3 // 16-bits, output off

<command 20> \000\002\085\013\000\001 // address = 13, channel C high
<response> C=84(d=0):BE,30,60 // no alarms, 5.1v

<command 20> \000\002\085\014\000\000 // address = 14, channel D low
<response> C=84(d=0):8F,F0,43 // 16-bits, output off

<command 20> \000\002\085\015\000\001 // address = 15, channel D high
<response> C=84(d=0):1F,F0,80 // no alarms, 5.1v

//Read all 4 channels of control/status (check only)
<command 20> \000\010\170\008\000
<response> C=84(d=0):00,01,00,01,00,01,00,01,E0,CF,01

//Repeat next two commands for each conversion (two cycles shown)

//Start conversion on all channels
<command 20> \000\002\060\015\000
<response> C=84(d=0):3A,03,28

//Read all 8 channels
<command 20> \000\010\170\000\000
<response> C=84(d=0):00,33,DF,64,84,96,6A,C8,5A,6B,BE

//Decoded response:
0x3300 = 130561.016015625 volts (channel A)
0x64DF = 258232.009541321 volts (channel B)
0x9684 = 385322.998553467 volts (channel C)
0xC86A = 513063.992623901 volts (channel D)

//Start conversion on all channels
<command 20> \000\002\060\015\000
<response> C=84(d=0):3A,03,28

//Read all 8 channels
<command 20> \000\010\170\000\000
<response> C=84(d=0):6B,33,B2,64,97,96,42,C8,0F,C9,0A

//Decoded response:
0x336B = 131631.024342346 volts (channel A)
0x64B2 = 257782.006039429 volts (channel B)
0x9697 = 385513.000032043 volts (channel C)
0xC842 = 512663.989511108 volts (channel D)
```




APPENDIX B: CONNECTING A DS1963S SHA IBUTTON (SCAB REQUIRED)

This appendix describes connecting a Dallas Semiconductor DS1963S Monetary iButton with SHA-1 Challenge Response Algorithm and 4KB of nonvolatile RAM to the CFA-635+SCAB's DOW (Dallas One Wire) connector. It also gives a sample command sequence to read and write the DS1963S's scratch memory.

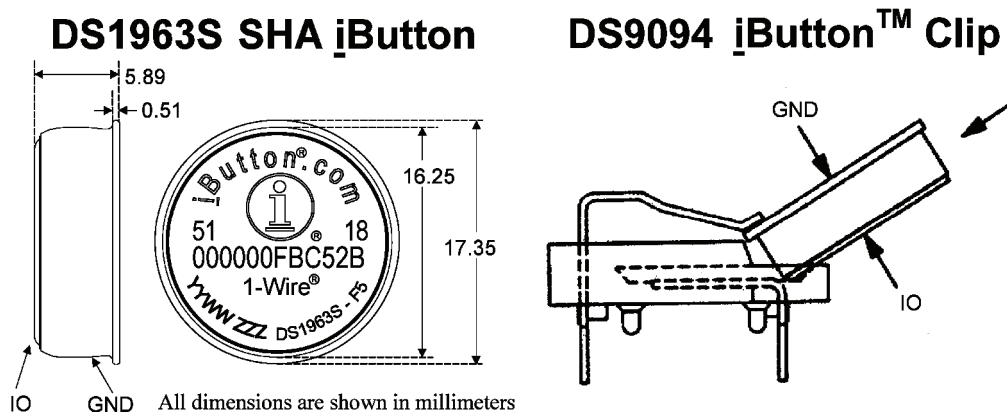
The DS1963S can be used as a secure dongle to protect your system's application software from being copied. Even if the communication channel is compromised or the host is not authentic, the SHA algorithm ensures that the data is still secure. Please see the following Maxim/Dallas white papers and application notes for more information:

- [White Paper 1: SHA Devices Used in Small Cash Systems](#)
- [White Paper 2: Using the 1-Wire Public-Domain Kit](#)
- [White Paper 3: Why are 1-Wire SHA-1 Devices Secure?](#)
- [White Paper 4: Glossary of 1-Wire SHA-1 Terms](#)
- [White Paper 8: 1-Wire SHA-1 Overview](#)
- [App Note 150: Small Message Encryption using SHA Devices](#)
- [App Note 152: SHA iButton Secrets and Challenges](#)
- [App Note 154: Passwords in SHA Authentication](#)
- [App Note 156: DS1963S SHA 1-Wire API Users Guide](#)
- [App Note 157: SHA iButton API Overview](#)
- [App Note 190: Challenge and Response with 1-Wire SHA devices](#)

Up to 32 DOW devices can be connected to the CFA-635+SCAB. In this example the DS1963S appears at device index 0. Your software should query the connected devices using command [18 \(0x12\): Read DOW Device Information \(SCAB required\) \(Pg. 35\)](#) to verify the locations and types of DOW devices connected in your application.

Please refer to the [DS1963S Data Sheet](#) and the description for command [20 \(0x14\): Arbitrary DOW Transaction \(SCAB required\) \(Pg. 37\)](#) for more information.

To connect the DS1963S to the CFA-635+SCAB, simply make one connection between the DS1963S's "GND" terminal and the CFA-635+SCAB DOW connector's GND pin, and a second connection between the DS1963S's "IO" pin and the CFA-635+SCAB DOW connector's I/O pin. By using a DS9094 iButton Clip, the connection is easy.



Appendix B Figure 1. Connect CFA-635 to Maxim/Dallas DS19632 SHA iButton using DS9094 iButton Clip



To demonstrate reading and writing the scratch memory on DS1963S, open the 635_WinTest Packet Debugger dialog and use it to experiment with the following commands: Erase Scratchpad, Read Scratchpad, and Write Scratchpad.

To use the full power of the DS1963S, a program based on the Dallas/Maxim application notes listed above is needed. The challenge/response sequence would be unwieldy to demonstrate using the 635_WinTest Packet Debugger dialog.

First read the address of the DS1963S as detected by the CFA-635 at boot. Since only one device is connected, you only need to query index 0. In a production situation, query all 32 indices to get a complete picture of the devices available on the DOW bus.

```
Command:
 18 = Read DOW Device Information
Data sent:
 \000
Data received:
 C=82 (d=0) : 18, CC, D2, 19; 00, 00, 00, 9E
```

The first byte returned is the Family Code of the Dallas One Wire / iButton device. 0x18 indicates that this device is a DS1963. A list of the possible Dallas One Wire / iButton device family codes is available in [App Note 155: 1-Wire Software Resource Guide](#) on the Maxim/Dallas website.

Erase Scratchpad Command (quote from the Maxim/Dallas [DS1963S Data Sheet](#)):

Erase Scratchpad [C3h]

The purpose of this command is to clear the HIDE flag and to wipe out data that might have been left in the scratchpad from a previous operation. After having issued the command code the bus master transmits a target address, as with the write scratchpad command, but no data. Next the whole scratchpad will be automatically filled with FFh bytes, regardless of the target address. This process takes approximately 32 μ s during which the master reads 1's. After this the master reads a pattern of alternating 0's and 1's indicating that the command has completed. The master must read at least 8 bits of this alternating pattern. Otherwise the device might not properly respond to a subsequent Reset Pulse.

```
Command:
 20 = Arbitrary DOW transaction
Data sent:
 \000\014\xC3\000\000
Data received:
 C=84 (d=0) : FF, AA, AA, AA, AA, AA, AA, AA, AA, AA, AA, AA, AA, AA, AA, 9F
```

The "AA" bytes read are the pattern of alternating 0's and 1's indicating that the command has completed.

Read Scratchpad Command (quote from the Maxim/Dallas [DS1963S Data Sheet](#))

Read Scratchpad Command [AAh]

HIDE = 0:

The Read Scratchpad command allows verifying the target address, ending offset and the integrity of the scratchpad data. After issuing the command code the master begins reading. The first 2 bytes will be the target address. The next byte will be the ending offset/data status byte (E/S) followed by the scratchpad data beginning at the byte offset (T4: T0). The master may read data until the end of the scratchpad after which it will receive the inverted CRC generated by the DS1963S. If the master continues reading after the CRC all data will be logic 1's.

```
Command:
 20 = Arbitrary DOW transaction
Data sent:
 \000\014\xAA
Data received:
 C=84 (d=0) : 00, 00, 1F, FF, FF, FF, FF, FF, FF, FF, FF, FF, FF, FF, 07
```

Since you did an "Erase Scratchpad" as the previous command, the "Read Scratchpad" returns 0xFF bytes as expected.



Write Scratchpad Command (quote from the Maxim/Dallas [DS1963S Data Sheet](#))

Write Scratchpad Command [0Fh]

HIDE = 0, Target Address range 0000h to 01FFh only

After issuing the write scratchpad command, the master must first provide the 2-byte target address, followed by the data to be written to the scratchpad. The data will be written to the scratchpad starting at the byte offset (T4:T0). The ending offset (E4:E0) will be the byte offset at which the master stops writing data. Only full data bytes are accepted. If the last data byte is incomplete its content will be ignored and the partial byte flag PF will be set.

When executing the Write Scratchpad command the CRC generator inside the DS1963S (see Figure 12) calculates a CRC of the entire data stream, starting at the command code and ending at the last data byte sent by the master. This CRC is generated using the CRC16 polynomial by first clearing the CRC generator and then shifting in the command code (0FH) of the Write Scratchpad command, the Target Addresses TA1 and TA2 as supplied by the master and all the data bytes. The master may end the Write Scratchpad command at any time. However, if the ending offset is 11111b, the master may send 16 read time slots and will receive the CRC generated by the DS1963S.

Write 10 bytes of identifiable test data {0x11, 0x22, 0x33, 0x44, 0x55, 0x66, 0x77, 0x88, 0x99, 0xAA} to the scratch pad in location 0:0

Command:

20 = Arbitrary DOW transaction

Data sent:

\000\000\x0F\x00\x00\x11\x22\x33\x44\x55\x66\x77\x88\x99\xAA

Data received:

C=84 (d=0) :00

Use the Read Scratchpad Command [AAh] to read back the data.

Command:

20 = Arbitrary DOW transaction

Data sent:

\000\013\xAA

Data received:

C=84 (d=0) :00,00,09,11,22,33,44,55,66,77,88,99,AA,1E

Now write 10 bytes of identifiable test data {0x12, 0x23, 0x34, 0x45, 0x56, 0x67, 0x78, 0x89, 0x9A, 0xAB} to the scratch pad in location 0:0x0A

Command:

20 = Arbitrary DOW transaction

Data sent:

\000\000\x0F\x0A\x00\x12\x23\x34\x45\x56\x67\x78\x89\x9A\xAB

Data received:

C=84 (d=0) :00

Use the Read Scratchpad Command [AAh] to read back the data.

Command:

20 = Arbitrary DOW transaction

Data sent:

\000\013\xAA

Data received:

C=84 (d=0) :00,02,09,12,23,34,45,56,67,78,89,9A,AB,62

Reading and writing to the scratch pad is the first step required to communicate with the DS1863S. In order to fully use the DS1963S for a dongle application that securely protects your software from copying, become familiar with the SHA algorithm as it applies to the SHA iButton by studying the Maxim/Dallas white papers and application notes listed above. Then create a software application that implements the secure challenge/response protocol as outlined in the application notes.



APPENDIX C: CALCULATING THE CRC

Below are five sample algorithms that will calculate the CRC of a CFA-635 packet. Some of the algorithms were contributed by forum members and originally written for the CFA-631 or CFA-633. The CRC used in the CFA-635 is the same one that is used in IrDA, which came from PPP, which to at least some extent seems to be related to a CCITT (ref: Network Working Group Request for Comments: 1171) standard. At that point, the trail was getting a bit cold and diverged into several referenced articles and papers, dating back to 1983.

The polynomial used is $X^{16} + X^{12} + X^5 + X^0$ (0x8408)
 The result is bit-wise inverted before being returned.

ALGORITHM 1: "C" TABLE IMPLEMENTATION

This algorithm is typically used on the host computer, where code space is not an issue.

```
//This code is from the IRDA LAP documentation, which appears to
//have been copied from PPP:
//
// http://irda.affiniscape.com/associations/2494/files/Specifications/
IrLAP11_Plus_Errata.zip
//
//I doubt that there are any worries about the legality of this code,
//searching for the first line of the table below, it appears that
//the code is already included in the linux 2.6 kernel "Driver for
//ST5481 USB ISDN modem". This is an "industry standard" algorithm
//and I do not think there are ANY issues with it at all.
word get_crc(ubyte *bufptr,word len)
{
  //CRC lookup table to avoid bit-shifting loops.
  static const word crcLookupTable[256] =
  {0x00000,0x01189,0x02312,0x0329B,0x04624,0x057AD,0x06536,0x074BF,
  0x08C48,0x09DC1,0x0AF5A,0x0BED3,0x0CA6C,0x0DBE5,0x0E97E,0x0F8F7,
  0x01081,0x00108,0x03393,0x0221A,0x056A5,0x0472C,0x075B7,0x0643E,
  0x09CC9,0x08D40,0x0BFDB,0x0AE52,0x0DAED,0x0CB64,0x0F9FF,0x0E876,
  0x02102,0x0308B,0x00210,0x01399,0x06726,0x076AF,0x04434,0x055BD,
  0x0AD4A,0x0BCC3,0x08E58,0x09FD1,0x0EB6E,0x0FAE7,0x0C87C,0x0D9F5,
  0x03183,0x0200A,0x01291,0x00318,0x077A7,0x0662E,0x054B5,0x0453C,
  0x0BDCB,0x0AC42,0x09ED9,0x08F50,0x0FBEF,0x0EA66,0x0D8FD,0x0C974,
  0x04204,0x0538D,0x06116,0x0709F,0x00420,0x015A9,0x02732,0x036BB,
  0x0CE4C,0x0DFC5,0x0ED5E,0x0FCD7,0x08868,0x099E1,0x0AB7A,0x0BAF3,
  0x05285,0x0430C,0x07197,0x0601E,0x014A1,0x00528,0x037B3,0x0263A,
  0x0DECD,0x0CF44,0x0FDDF,0x0EC56,0x098E9,0x08960,0x0BBFB,0x0AA72,
  0x06306,0x0728F,0x04014,0x0519D,0x02522,0x034AB,0x00630,0x017B9,
  0x0EF4E,0x0FEC7,0x0CC5C,0x0DDD5,0x0A96A,0x0B8E3,0x08A78,0x09BF1,
  0x07387,0x0620E,0x05095,0x0411C,0x035A3,0x0242A,0x016B1,0x00738,
  0x0FFCF,0x0EE46,0x0DCDD,0x0CD54,0x0B9EB,0x0A862,0x09AF9,0x08B70,
  0x08408,0x09581,0x0A71A,0x0B693,0x0C22C,0x0D3A5,0x0E13E,0x0F0B7,
  0x00840,0x019C9,0x02B52,0x03ADB,0x04E64,0x05FED,0x06D76,0x07CFF,
  0x09489,0x08500,0x0B79B,0x0A612,0x0D2AD,0x0C324,0x0F1BF,0x0E036,
  0x018C1,0x00948,0x03BD3,0x02A5A,0x05EE5,0x04F6C,0x07DF7,0x06C7E,
  0x0A50A,0x0B483,0x08618,0x09791,0x0E32E,0x0F2A7,0x0C03C,0x0D1B5,
  0x02942,0x038CB,0x00A50,0x01BD9,0x06F66,0x07EEF,0x04C74,0x05DFD,
  0x0B58B,0x0A402,0x09699,0x08710,0x0F3AF,0x0E226,0x0D0BD,0x0C134,
  0x039C3,0x0284A,0x01AD1,0x00B58,0x07FE7,0x06E6E,0x05CF5,0x04D7C,
  0x0C60C,0x0D785,0x0E51E,0x0F497,0x08028,0x091A1,0x0A33A,0x0B2B3,
  0x04A44,0x05BCD,0x06956,0x078DF,0x00C60,0x01DE9,0x02F72,0x03EFB,
  0x0D68D,0x0C704,0x0F59F,0x0E416,0x090A9,0x08120,0x0B3BB,0x0A232,
  0x05AC5,0x04B4C,0x079D7,0x0685E,0x01CE1,0x00D68,0x03FF3,0x02E7A,
  0x0E70E,0x0F687,0x0C41C,0x0D595,0x0A12A,0x0B0A3,0x08238,0x093B1,
  0x06B46,0x07ACF,0x04854,0x059DD,0x02D62,0x03CEB,0x00E70,0x01FF9,
  0x0F78F,0x0E606,0x0D49D,0x0C514,0x0B1AB,0x0A022,0x092B9,0x08330,
  0x07BC7,0x06A4E,0x058D5,0x0495C,0x03DE3,0x02C6A,0x01EF1,0x00F78};
```



```
register word
newCrc;
newCrc=0xFFFF;
//This algorithm is based on the IrDA LAP example.
while(len--)
    newCrc = (newCrc >> 8) ^ crcLookupTable[(newCrc ^ *bufptr++) & 0xff];

//Make this crc match the one's complement that is sent in the packet.
return(~newCrc);
}
```

ALGORITHM 2: "C" BIT SHIFT IMPLEMENTATION

This algorithm was mainly written to avoid any possible legal issues about the source of the routine (at the request of the LCDproc group). This routine was "clean" coded from the definition of the CRC. It is ostensibly smaller than the table driven approach but will take longer to execute. This routine is offered under the GPL.

```
word get_crc(ubyte *bufptr,word len)
{
    register unsigned int
        newCRC;
    //Put the current byte in here.
    ubyte
        data;
    int
        bit_count;
    //This seed makes the output of this shift based algorithm match
    //the table based algorithm. The center 16 bits of the 32-bit
    //"newCRC" are used for the CRC. The MSB of the lower byte is used
    //to see what bit was shifted out of the center 16 bit CRC
    //accumulator ("carry flag analog");
    newCRC=0x00F32100;
    while(len--)
    {
        //Get the next byte in the stream.
        data=*bufptr++;
        //Push this byte's bits through a software
        //implementation of a hardware shift & xor.
        for(bit_count=0;bit_count<=7;bit_count++)
        {
            //Shift the CRC accumulator
            newCRC>>=1;

            //The new MSB of the CRC accumulator comes
            //from the LSB of the current data byte.
            if(data&0x01)
                newCRC|=0x00800000;

            //If the low bit of the current CRC accumulator was set
            //before the shift, then we need to XOR the accumulator
            //with the polynomial (center 16 bits of 0x00840800)
            if(newCRC&0x00000080)
                newCRC^=0x00840800;
            //Shift the data byte to put the next bit of the stream
            //into position 0.
            data>>=1;
        }
    }

    //All the data has been done. Do 16 more bits of 0 data.
    for(bit_count=0;bit_count<=15;bit_count++)
    {
        //Shift the CRC accumulator
        newCRC>>=1;

        //If the low bit of the current CRC accumulator was set
```



```

//before the shift we need to XOR the accumulator with
//0x00840800.
if(newCRC&0x00000080)
  newCRC^=0x00840800;
}
//Return the center 16 bits, making this CRC match the one's
//complement that is sent in the packet.
return((~newCRC)>>8);
}

```

ALGORITHM 3: "PIC ASSEMBLY" BIT SHIFT IMPLEMENTATION

This routine was graciously donated by one of our customers.

```

;=====
; CrystalFontz CFA-635 PIC CRC Calculation Example
;
; This example calculates the CRC for the hard coded example provided
; in the documentation.
;
; It uses "This is a test. " as input and calculates the proper CRC
; of 0x93FA.
;=====
#include "p16f877.inc"
;=====
; CRC16 equates and storage
;-----
accuml      equ      40h          ; BYTE - CRC result register high byte
accumh      equ      41h          ; BYTE - CRC result register high low byte
datareg     equ      42h          ; BYTE - data register for shift
j           equ      43h          ; BYTE - bit counter for CRC 16 routine
Zero        equ      44h          ; BYTE - storage for string memory read
index       equ      45h          ; BYTE - index for string memory read
savchr      equ      46h          ; BYTE - temp storage for CRC routine
;
seedlo      equ      021h         ; initial seed for CRC reg lo byte
seedhi      equ      0F3h         ; initial seed for CRC reg hi byte
;
polyL       equ      008h         ; polynomial low byte
polyH       equ      084h         ; polynomial high byte
;=====
;  CRC Test Program
;-----
          org      0              ; reset vector = 0000H
;
          clrf     PCLATH         ; ensure upper bits of PC are cleared
          clrf     STATUS         ; ensure page bits are cleared
          goto    main           ; jump to start of program
;
; ISR Vector
;
          org      4              ; start of ISR
          goto    $              ; jump to ISR when coded
;
          org      20             ; start of main program
main
          movlw   seedhi          ; setup intial CRC seed value.
          movwf  accumh          ; This must be done prior to
          movlw   seedlo          ; sending string to CRC routine.
          movwf  accuml          ;
          clrf   index           ; clear string read variables
;
main1
          movlw   HIGH InputStr   ; point to LCD test string
          movwf  PCLATH          ; latch into PCL
          movfw  index           ; get index
          call   InputStr        ; get character

```



```
        movwf      Zero          ; setup for terminator test
        movf       Zero,f        ; see if terminator
        btfsc     STATUS,Z      ; skip if not terminator
            goto   main2        ; else terminator reached, jump out of loop
        call      CRC16         ; calculate new crc
        call      SENDUART      ; send data to LCD
        incf     index,f        ; bump index
        goto     main1         ; loop
;
; main2
        movlw     00h           ; shift accumulator 16 more bits.
        call      CRC16         ; This must be done after sending
        movlw     00h           ; string to CRC routine.
        call      CRC16         ;
;
        comf     accumh,f      ; invert result
        comf     accuml,f      ;
;
        movfw     accuml       ; get CRC low byte
        call      SENDUART      ; send to LCD
        movfw     accumh       ; get CRC hi byte
        call      SENDUART      ; send to LCD
;
; stop      goto      stop          ; word result of 0x93FA is in accumh/accuml
;=====
; calculate CRC of input byte
;-----
CRC16
        movwf     savchr        ; save the input character
        movwf     datareg       ; load data register
        movlw     .8           ; setup number of bits to test
        movwf     j            ; save to incrementor
;
;_loop
        clrc                    ; clear carry for CRC register shift
        rrf      datareg,f      ; perform shift of data into CRC register
        rrf      accumh,f      ;
        rrf      accuml,f      ;
        btfss   STATUS,C      ; skip jump if if carry
        goto    _notset       ; otherwise goto next bit
        movlw   polyL         ; XOR poly mask with CRC register
        xorwf   accuml,F      ;
        movlw   polyH         ;
        xorwf   accumh,F      ;
;
;_notset
        decfsz   j,F          ; decrement bit counter
        goto    _loop        ; loop if not complete
        movfw   savchr       ; restore the input character
        return   ; return to calling routine
;=====
; USER SUPPLIED Serial port transmit routine
;-----
SENDUART
        return                ; put serial xmit routine here
;=====
; test string storage
;-----
        org     0100h
;
; InputStr
        addwf   PCL,f
        dt     7h,10h,"This is a test. ",0
;
;=====
        end
```




ALGORITHM 4: “VISUAL BASIC” TABLE IMPLEMENTATION

Visual BASIC has its own challenges as a language (such as initializing static arrays), and it is also challenging to use Visual BASIC to work with “binary” (arbitrary length character data possibly containing nulls—such as the “data” portion of the CFA-635 packet) data. This routine was adapted from the C table implementation. The complete project can be found in our forums.

```
'This program is brutally blunt. Just like VB. No apologies.
'Written by CrystalFontz America, Inc. 2004 http://www.crystalfontz.com
'Free code, not copyright copyleft or anything else.
'Some visual basic concepts taken from:
'http://www.planet-source-code.com/vb/scripts/ShowCode.asp?txtCodeId=21434&lngWid=1
'most of the algorithm is from functions in 635_WinTest:
'http://www.crystalfontz.com/products/635/635_WinTest.zip
'Full zip of the project is available in our forum:
'http://www.crystalfontz.com/forum/showthread.php?postid=9921#post9921

Private Type WORD
    Lo As Byte
    Hi As Byte
End Type

Private Type PACKET_STRUCT
    command As Byte
    data_length As Byte
    data(22) As Byte
    crc As WORD
End Type

Dim crcLookupTable(256) As WORD

Private Sub MSComm_OnComm()
'Leave this here
End Sub

'My understanding of visual basic is very limited--however it appears that there is no way
'to initialize an array of structures. Nice language. Fast processors, lots of memory, big
'disks, and we fill them up with this . . this . . this . . STUFF.
Sub Initialize_CRC_Lookup_Table()
    crcLookupTable(0).Lo = &H0
    crcLookupTable(0).Hi = &H0
    . . .
'For purposes of brevity in this data sheet, I have removed 251 entries of this table, the
'full source is available in our forum:
'http://www.crystalfontz.com/forum/showthread.php?postid=9921#post9921
    . . .
    crcLookupTable(255).Lo = &H78
    crcLookupTable(255).Hi = &HF
End Sub

'This function returns the CRC of the array at data for length positions
Private Function Get_CRC(ByRef data() As Byte, ByVal length As Integer) As WORD
    Dim Index As Integer
    Dim Table_Index As Integer
    Dim newCrc As WORD
    newCrc.Lo = &HFF
    newCrc.Hi = &HFF
    For Index = 0 To length - 1
        'exclusive-or the input byte with the low-order byte of the CRC register
        'to get an index into crcLookupTable
        Table_Index = newCrc.Lo Xor data(Index)
        'shift the CRC register eight bits to the right
        newCrc.Lo = newCrc.Hi
        newCrc.Hi = 0
        ' exclusive-or the CRC register with the contents of Table at Table_Index
        newCrc.Lo = newCrc.Lo Xor crcLookupTable(Table_Index).Lo
        newCrc.Hi = newCrc.Hi Xor crcLookupTable(Table_Index).Hi
    
```




```

Next Index
'Invert & return newCrc
Get_Crc.Lo = newCrc.Lo Xor &HFF
Get_Crc.Hi = newCrc.Hi Xor &HFF
End Function

Private Sub Send_Packet(ByRef packet As PACKET_STRUCT)
  Dim Index As Integer
  'Need to put the whole packet into a linear array
  'since you can't do type overrides. VB, gotta love it.
  Dim linear_array(26) As Byte
  linear_array(0) = packet.command
  linear_array(1) = packet.data_length
  For Index = 0 To packet.data_length - 1
    linear_array(Index + 2) = packet.data(Index)
  Next Index
  packet.crc = Get_Crc(linear_array, packet.data_length + 2)
  'Might as well move the CRC into the linear array too
  linear_array(packet.data_length + 2) = packet.crc.Lo
  linear_array(packet.data_length + 3) = packet.crc.Hi
  'Now a simple loop can dump it out the port.
  For Index = 0 To packet.data_length + 3
    MSComm.Output = Chr(linear_array(Index))
  Next Index
End Sub

```

ALGORITHM 5: “JAVA” TABLE IMPLEMENTATION

This [code was posted in our forum](#) by user “norm” as a working example of a Java CRC calculation.

```

public class CRC16 extends Object
{
  public static void main(String[] args)
  {
    byte[] data = new byte[2];
    // hw - fw
    data[0] = 0x01;
    data[1] = 0x00;
    System.out.println("hw -fw req");
    System.out.println(Integer.toHexString(compute(data)));

    // ping
    data[0] = 0x00;
    data[1] = 0x00;
    System.out.println("ping");
    System.out.println(Integer.toHexString(compute(data)));

    // reboot
    data[0] = 0x05;
    data[1] = 0x00;
    System.out.println("reboot");
    System.out.println(Integer.toHexString(compute(data)));

    // clear lcd
    data[0] = 0x06;
    data[1] = 0x00;
    System.out.println("clear lcd");
    System.out.println(Integer.toHexString(compute(data)));

    // set line 1
    data = new byte[18];
    data[0] = 0x07;
    data[1] = 0x10;
    String text = "Test Test Test ";
    byte[] textByte = text.getBytes();
    for (int i=0; i < text.length(); i++) data[i+2] = textByte[i];
    System.out.println("text 1");
  }
}

```



```

    System.out.println(Integer.toHexString(compute(data)));
}
private CRC16()
{
}
private static final int[] crcLookupTable =
{
    0x00000, 0x01189, 0x02312, 0x0329B, 0x04624, 0x057AD, 0x06536, 0x074BF,
    0x08C48, 0x09DC1, 0x0AF5A, 0x0BED3, 0x0CA6C, 0x0DBE5, 0x0E97E, 0x0F8F7,
    0x01081, 0x00108, 0x03393, 0x0221A, 0x056A5, 0x0472C, 0x075B7, 0x0643E,
    0x09CC9, 0x08D40, 0x0BFDB, 0x0AE52, 0x0DAED, 0x0CB64, 0x0F9FF, 0x0E876,
    0x02102, 0x0308B, 0x00210, 0x01399, 0x06726, 0x076AF, 0x04434, 0x055BD,
    0x0AD4A, 0x0BCC3, 0x08E58, 0x09FD1, 0x0EB6E, 0x0FAE7, 0x0C87C, 0x0D9F5,
    0x03183, 0x0200A, 0x01291, 0x00318, 0x077A7, 0x0662E, 0x054B5, 0x0453C,
    0x0BDCB, 0x0AC42, 0x09ED9, 0x08F50, 0x0FBEF, 0x0EA66, 0x0D8FD, 0x0C974,
    0x04204, 0x0538D, 0x06116, 0x0709F, 0x00420, 0x015A9, 0x02732, 0x036BB,
    0x0CE4C, 0x0DFC5, 0x0ED5E, 0x0FCD7, 0x08868, 0x099E1, 0x0AB7A, 0x0BAF3,
    0x05285, 0x0430C, 0x07197, 0x0601E, 0x014A1, 0x00528, 0x037B3, 0x0263A,
    0x0DECD, 0x0CF44, 0x0FDDF, 0x0EC56, 0x098E9, 0x08960, 0x0BBFB, 0x0AA72,
    0x06306, 0x0728F, 0x04014, 0x0519D, 0x02522, 0x034AB, 0x00630, 0x017B9,
    0x0EF4E, 0x0FEC7, 0x0CC5C, 0x0DDD5, 0x0A96A, 0x0B8E3, 0x08A78, 0x09BF1,
    0x07387, 0x0620E, 0x05095, 0x0411C, 0x035A3, 0x0242A, 0x016B1, 0x00738,
    0x0FFCF, 0x0EE46, 0x0DCDD, 0x0CD54, 0x0B9EB, 0x0A862, 0x09AF9, 0x08B70,
    0x08408, 0x09581, 0x0A71A, 0x0B693, 0x0C22C, 0x0D3A5, 0x0E13E, 0x0F0B7,
    0x00840, 0x019C9, 0x02B52, 0x03ADB, 0x04E64, 0x05FED, 0x06D76, 0x07CFF,
    0x09489, 0x08500, 0x0B79B, 0x0A612, 0x0D2AD, 0x0C324, 0x0F1BF, 0x0E036,
    0x018C1, 0x00948, 0x03BD3, 0x02A5A, 0x05EE5, 0x04F6C, 0x07DF7, 0x06C7E,
    0x0A50A, 0x0B483, 0x08618, 0x09791, 0x0E32E, 0x0F2A7, 0x0C03C, 0x0D1B5,
    0x02942, 0x038CB, 0x00A50, 0x01BD9, 0x06F66, 0x07EEF, 0x04C74, 0x05DFD,
    0x0B58B, 0x0A402, 0x09699, 0x08710, 0x0F3AF, 0x0E226, 0x0D0BD, 0x0C134,
    0x039C3, 0x0284A, 0x01AD1, 0x00B58, 0x07FE7, 0x06E6E, 0x05CF5, 0x04D7C,
    0x0C60C, 0x0D785, 0x0E51E, 0x0F497, 0x08028, 0x091A1, 0x0A33A, 0x0B2B3,
    0x04A44, 0x05BCD, 0x06956, 0x078DF, 0x00C60, 0x01DE9, 0x02F72, 0x03EFB,
    0x0D68D, 0x0C704, 0x0F59F, 0x0E416, 0x090A9, 0x08120, 0x0B3BB, 0x0A232,
    0x05AC5, 0x04B4C, 0x079D7, 0x0685E, 0x01CE1, 0x00D68, 0x03FF3, 0x02E7A,
    0x0E70E, 0x0F687, 0x0C41C, 0x0D595, 0x0A12A, 0x0B0A3, 0x08238, 0x093B1,
    0x06B46, 0x07ACF, 0x04854, 0x059DD, 0x02D62, 0x03CEB, 0x00E70, 0x01FF9,
    0x0F78F, 0x0E606, 0x0D49D, 0x0C514, 0x0B1AB, 0x0A022, 0x092B9, 0x08330,
    0x07BC7, 0x06A4E, 0x058D5, 0x0495C, 0x03DE3, 0x02C6A, 0x01EF1, 0x00F78
};
public static int compute(byte[] data)
{
    int newCrc = 0xFFFF;
    for (int i = 0; i < data.length; i++)
    {
        int lookup = crcLookupTable[(newCrc ^ data[i]) & 0xFF];
        newCrc = (newCrc >> 8) ^ lookup;
    }
    return(~newCrc);
}
}

```

ALGORITHM 6: “PERL” TABLE IMPLEMENTATION

This code was translated from the C version by one of our customers.

```

#!/usr/bin/perl

use strict;

my @CRC_LOOKUP =
(0x00000, 0x01189, 0x02312, 0x0329B, 0x04624, 0x057AD, 0x06536, 0x074BF,
0x08C48, 0x09DC1, 0x0AF5A, 0x0BED3, 0x0CA6C, 0x0DBE5, 0x0E97E, 0x0F8F7,
0x01081, 0x00108, 0x03393, 0x0221A, 0x056A5, 0x0472C, 0x075B7, 0x0643E,
0x09CC9, 0x08D40, 0x0BFDB, 0x0AE52, 0x0DAED, 0x0CB64, 0x0F9FF, 0x0E876,
0x02102, 0x0308B, 0x00210, 0x01399, 0x06726, 0x076AF, 0x04434, 0x055BD,
0x0AD4A, 0x0BCC3, 0x08E58, 0x09FD1, 0x0EB6E, 0x0FAE7, 0x0C87C, 0x0D9F5,

```



```
0x03183,0x0200A,0x01291,0x00318,0x077A7,0x0662E,0x054B5,0x0453C,
0x0BDCB,0x0AC42,0x09ED9,0x08F50,0x0FBF7,0x0EA66,0x0D8FD,0x0C974,
0x04204,0x0538D,0x06116,0x0709F,0x00420,0x015A9,0x02732,0x036BB,
0x0CE4C,0x0DFC5,0x0ED5E,0x0FCD7,0x08868,0x099E1,0x0AB7A,0x0BAF3,
0x05285,0x0430C,0x07197,0x0601E,0x014A1,0x00528,0x037B3,0x0263A,
0x0DECD,0x0CF44,0x0FDDF,0x0EC56,0x098E9,0x08960,0x0BBFB,0x0AA72,
0x06306,0x0728F,0x04014,0x0519D,0x02522,0x034AB,0x00630,0x017B9,
0x0EF4E,0x0FEC7,0x0CC5C,0x0DDD5,0x0A96A,0x0B8E3,0x08A78,0x09BF1,
0x07387,0x0620E,0x05095,0x0411C,0x035A3,0x0242A,0x016B1,0x00738,
0x0FFC7,0x0EE46,0x0DCDD,0x0CD54,0x0B9EB,0x0A862,0x09AF9,0x08B70,
0x08408,0x09581,0x0A71A,0x0B693,0x0C22C,0x0D3A5,0x0E13E,0x0F0B7,
0x00840,0x019C9,0x02B52,0x03ADB,0x04E64,0x05FED,0x06D76,0x07CFF,
0x09489,0x08500,0x0B79B,0x0A612,0x0D2AD,0x0C324,0x0F1BF,0x0E036,
0x018C1,0x00948,0x03BD3,0x02A5A,0x05EE5,0x04F6C,0x07DF7,0x06C7E,
0x0A50A,0x0B483,0x08618,0x09791,0x0E32E,0x0F2A7,0x0C03C,0x0D1B5,
0x02942,0x038CB,0x00A50,0x01BD9,0x06F66,0x07EEF,0x04C74,0x05DFD,
0x0B58B,0x0A402,0x09699,0x08710,0x0F3AF,0x0E226,0x0D0BD,0x0C134,
0x039C3,0x0284A,0x01AD1,0x00B58,0x07FE7,0x06E6E,0x05CF5,0x04D7C,
0x0C60C,0x0D785,0x0E51E,0x0F497,0x08028,0x091A1,0x0A33A,0x0B2B3,
0x04A44,0x05BCD,0x06956,0x078DF,0x00C60,0x01DE9,0x02F72,0x03EFB,
0x0D68D,0x0C704,0x0F59F,0x0E416,0x090A9,0x08120,0x0B3BB,0x0A232,
0x05AC5,0x04B4C,0x079D7,0x0685E,0x01CE1,0x00D68,0x03FF3,0x02E7A,
0x0E70E,0x0F687,0x0C41C,0x0D595,0x0A12A,0x0B0A3,0x08238,0x093B1,
0x06B46,0x07ACF,0x04854,0x059DD,0x02D62,0x03CEB,0x00E70,0x01FF9,
0x0F78F,0x0E606,0x0D49D,0x0C514,0x0B1AB,0x0A022,0x092B9,0x08330,
0x07BC7,0x06A4E,0x058D5,0x0495C,0x03DE3,0x02C6A,0x01EF1,0x00F78);
```

```
# our test packet read from an enter key press over the serial line:
# type = 80 (key press)
# data_length = 1 (1 byte of data)
# data = 5
```

```
my $type = '80';
my $length = '01';
my $data = '05';
```

```
my $packet = $type . $length . $data ;
```

```
my $valid_crc = '5584' ;
```

```
print "A CRC of Packet ($packet) Should Equal ($valid_crc)\n";
```

```
my $crc = 0xFFFF ;
```

```
printf("%x\n", $crc);
```

```
foreach my $char (split //, $packet)
```

```
{
  # newCrc = (newCrc >> 8) ^ crcLookupTable[(newCrc ^ *bufptr++) & 0xff];
  # & is bitwise AND
  # ^ is bitwise XOR
  # >> bitwise shift right
  $crc = ($crc >> 8) ^ $CRC_LOOKUP[( $crc ^ ord($char) ) & 0xFF] ;
  # print out the running crc at each byte
  printf("%x\n", $crc);
}
```

```
# get the complement
```

```
$crc = ~$crc ;
```

```
$crc = ($crc & 0xFFFF) ;
```

```
# print out the crc in hex
```

```
printf("%x\n", $crc);
```

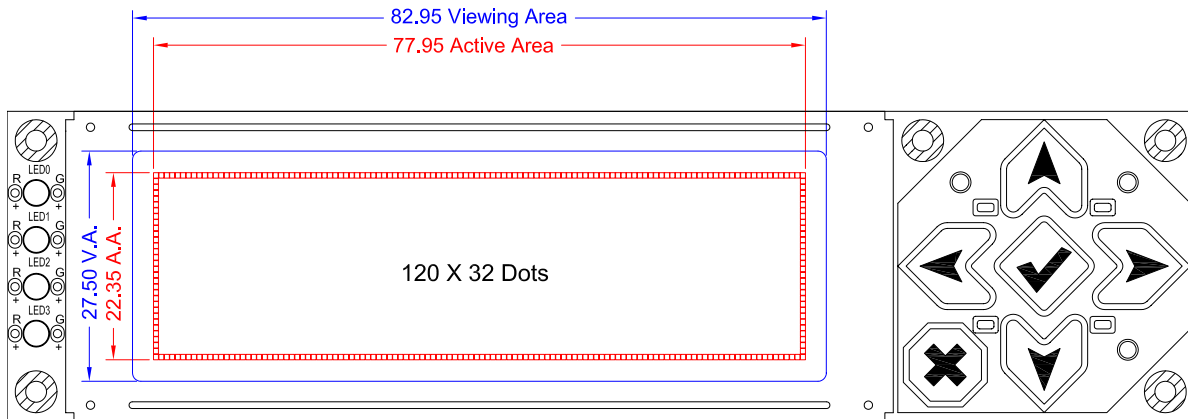


APPENDIX D: QUALITY ASSURANCE STANDARDS

INSPECTION CONDITIONS

- Environment
 - Temperature: 25±5°C
 - Humidity: 30~85% RH
- For visual inspection of active display area
 - Source lighting: two 20 watt or one 40 watt fluorescent light
 - Display adjusted for best contrast
 - Viewing distance: 30±5 cm (about 12 inches)
 - Viewing angle: inspect at 45° angle of normal line right and left, top and bottom

DEFINITION OF ACTIVE AREA AND VIEWING AREA



ACCEPTANCE SAMPLING

DEFECT TYPE	AQL*
Major	≤.65%
Minor	<1.0%
* Acceptable Quality Level: maximum allowable error rate or variation from standard	

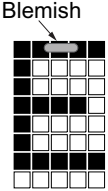
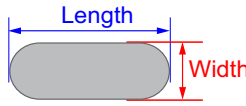
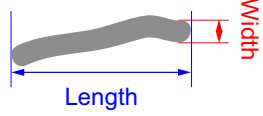
DEFECTS CLASSIFICATION

Defects are defined as:

- A *major defect* is a defect that substantially reduces usability of unit for its intended purpose.
- A *minor defect*: is a defect that is unlikely to reduce usability for its intended purpose.



ACCEPTANCE STANDARDS

#	DEFECT TYPE	CRITERIA			MAJOR / MINOR	
1	Electrical defects	1. No display, display malfunctions, or shorted segments. 2. Current consumption exceeds specifications.			Major	
2	Viewing area defect	Viewing area does not meet specifications. (See Inspection Conditions (Pg. 64) .)			Major	
3	Contrast adjustment defect	Contrast adjustment fails or malfunctions.			Major	
4	Blemishes or foreign matter on display segments		<i>Defect Size</i>	<i>Acceptable Qty</i>	Minor	
			≤0.3 mm	3		
			≤2 defects within 10 mm of each other			
5	Blemishes or foreign matter outside of display segments	Defect Size = (Width + Length)/2 	<i>Defect Size</i>	<i>Acceptable Qty</i>	Minor	
			≤0.15 mm	Ignore		
			0.15 to 0.20 mm	3		
			0.20 to 0.25 mm	2		
			0.25 to 0.30 mm	1		
6	Dark lines or scratches in display area		<i>Defect Width</i>	<i>Defect Length</i>	<i>Acceptable Qty</i>	Minor
			≤0.03 mm	≤3.0 mm	3	
			0.03 to 0.05	≤2.0 mm	2	
			0.05 to 0.08	≤2.0 mm	1	
			0.08 to 0.10	≤3.0 mm	0	
			≥0.10	>3.0 mm	0	
7	Bubbles between polarizer film and glass		<i>Defect Size</i>	<i>Acceptable Qty</i>	Minor	
			≤0.2 mm	Ignore		
			0.20 to 0.40 mm	3		
			0.40 to 0.60 mm	2		
			≥0.60 mm	0		



#	DEFECT TYPE	CRITERIA	MAJOR / MINOR												
8	Display pattern defect														
		<table border="1"> <tr> <td><i>Dot Size</i></td> <td><i>Acceptable Qty</i></td> <td>Minor</td> </tr> <tr> <td>$((A+B)/2) \leq 0.2 \text{ mm}$</td> <td rowspan="4"> ≤ 3 total defects ≤ 2 pinholes per digit </td> <td></td> </tr> <tr> <td>$C > 0 \text{ mm}$</td> <td></td> </tr> <tr> <td>$((D+E)/2) \leq 0.25 \text{ mm}$</td> <td></td> </tr> <tr> <td>$((F+G)/2) \leq 0.25 \text{ mm}$</td> <td></td> </tr> </table>	<i>Dot Size</i>	<i>Acceptable Qty</i>	Minor	$((A+B)/2) \leq 0.2 \text{ mm}$	≤ 3 total defects ≤ 2 pinholes per digit		$C > 0 \text{ mm}$		$((D+E)/2) \leq 0.25 \text{ mm}$		$((F+G)/2) \leq 0.25 \text{ mm}$		
		<i>Dot Size</i>	<i>Acceptable Qty</i>	Minor											
		$((A+B)/2) \leq 0.2 \text{ mm}$	≤ 3 total defects ≤ 2 pinholes per digit												
		$C > 0 \text{ mm}$													
$((D+E)/2) \leq 0.25 \text{ mm}$															
$((F+G)/2) \leq 0.25 \text{ mm}$															
9	Backlight defects	<ol style="list-style-type: none"> 1. Light fails or flickers. (Major) 2. Color and luminance do not correspond to specifications. (Major) 3. Exceeds standards for display's blemishes or foreign matter (see test 5, page 65), and dark lines or scratches (see test 6, page 65). (Minor) 	See list ←												
10	PCB defects	<ol style="list-style-type: none"> 1. Oxidation or contamination on connectors.* $a \leq 1/4W$ 2. Wrong parts, missing parts, or parts not in specification.* 3. Jumpers set incorrectly. (Minor) 4. Solder (if any) on bezel, LED pad, zebra pad, or screw hole pad is not smooth. (Minor) <p>*Minor if display functions correctly. Major if the display fails.</p>	See list ←												
11	Soldering defects	<ol style="list-style-type: none"> 1. Unmelted solder paste. 2. Cold solder joints, missing solder connections, or oxidation.* 3. Solder bridges causing short circuits.* 4. Residue or solder balls. 5. Solder flux is black or brown. <p>*Minor if display functions correctly. Major if the display fails.</p>	Minor												