

Crystalfontz America, Inc.

SPECIFICATION

CUSTOMER : _____

MODULE NO.: CFAG14432C-TFH-TT

| SALES BY | APPROVED BY | CHECKED BY | PREPARED BY |
|---------------------|--------------------|-------------------|--------------------|
| | | | |
| ISSUED DATE: | | | |

Crystalfontz America, Inc.

12412 East Saltese Avenue
Spokane Valley, WA 99216-0357

Phone: (888) 206-9720

Fax: (509) 892-1203

Email: techinfo@crystalfontz.com

URL: www.crystalfontz.com

Contents

- 1.Module Classification Information
- 2.Precautions in use of LCD Modules
- 3.General Specification
- 4.Absolute Maximum Ratings
- 5.Electrical Characteristics
- 6.Optical Characteristics
- 7.Interface Description
- 8.Contour Drawing & Block Diagram
9. Timing Characteristics
- 10.Display Control Instruction
- 11.Detailed Explanation
- 12.Reliability
- 13.Backlight Information
14. Inspection specification
15. Material List of Components for RoHS

1.Module Classification Information

CFA G 1 4 4 3 2 C T F H TT
 ① ② ③ ④ ⑤ ⑥ ⑦ ⑧

| | | |
|---|--|--|
| ① | Brand: CRYSTALFONTZ AMERICA, INC | |
| ② | Display Type: H→Character Type, G→Graphic Type | |
| ③ | Displays Logical Dimensions: 144 Pixels x 32 Pixels | |
| ④ | Model PCB Variant: C | |
| ⑤ | Backlight Type: | N→Without backlight B→EL, Blue green D→EL, Green W→EL, White F→CCFL, White Y→LED, Yellow Green T→LED, White A→LED, Amber R→LED, Red O→LED, Orange G→LED, Green |
| ⑥ | LCD Mode: | B→TN Positive, Gray T→FSTN Negative N→TN Negative, G→STN Positive, Gray Y→STN Positive, Yellow Green M→STN Negative, Blue F→FSTN Positive |
| ⑦ | LCD Polarizer Type/ Temperature range/ View direction | A→Reflective, N.T, 6:00 H→Transflective, W.T,6:00 D→Reflective, N.T, 12:00 K→Transflective, W.T,12:00 G→Reflective, W. T, 6:00 C→Transmissive, N.T,6:00 J→Reflective, W. T, 12:00 F→Transmissive, N.T,12:00 B→Transflective, N.T,6:00 I→Transmissive, W. T, 6:00 E→Transflective, N.T.12:00 L→Transmissive, W.T,12:00 |
| ⑧ | Special Code | T→Temperature compensation circuit on board; T→Sitronix IC |

2.Precautions in use of LCD Modules

- (1) Avoid applying excessive shocks to the module or making any alterations or modifications to it.
- (2) Don't make extra holes on the printed circuit board, modify its shape or change the components of LCD module.
- (3) Don't disassemble the LCM.
- (4) Don't operate it above the absolute maximum rating.
- (5) Don't drop, bend or twist LCM.
- (6) Soldering: only to the I/O terminals.
- (7) Storage: please storage in anti-static electricity container and clean environment.

3.General Specification

| Item | Dimension | Unit |
|----------------------|-----------------------------|-------------|
| Number of Characters | 144 x 32 dot | — |
| Module dimension | 84.0x44.0x13.5(MAX) | mm |
| View area | 66.0 x 16.0 | mm |
| Active area | 60.44 x 13.4 | mm |
| Dot size | 0.38 x 0.38 | mm |
| Dot pitch | 0.42 x 0.42 | mm |
| LCD type | FSTN Positive Transflective | |
| Duty | 1/32 | |
| View direction | 6 o'clock | |
| Backlight Type | LED White | |

4. Absolute Maximum Ratings

| Item | Symbol | Min | Typ | Max | Unit |
|--------------------------|-----------------|-----|-----|----------|------|
| Operating Temperature | T_{OP} | -20 | — | +70 | °C |
| Storage Temperature | T_{ST} | -30 | — | +80 | °C |
| Input Voltage | V_I | 0 | — | V_{DD} | V |
| Supply Voltage For Logic | V_{DD} | 0 | — | 6.7 | V |
| Supply Voltage For LCD | $V_{DD}-V_{SS}$ | 0 | — | 7.0 | V |

5. Electrical Characteristics

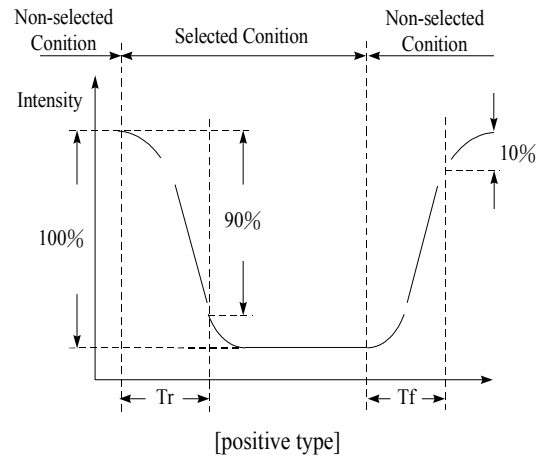
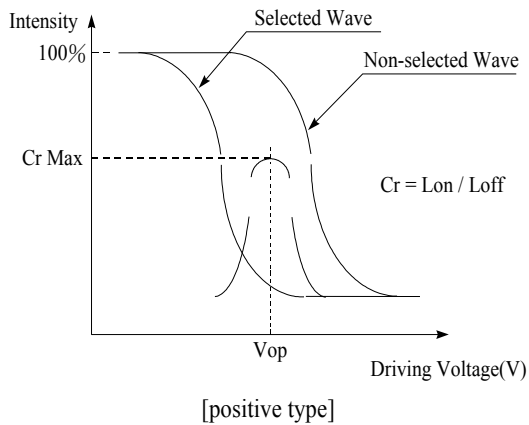
| Item | Symbol | Condition | Min | Typ | Max | Unit |
|--------------------------|-----------------|---------------------------|-------------|-----|----------|------|
| Supply Voltage For Logic | $V_{DD}-V_{SS}$ | — | 4.5 | 5.0 | 5.5 | V |
| Supply Voltage For LCD | V_O-V_{SS} | $T_a=-20^{\circ}\text{C}$ | — | — | 5.5 | V |
| | | $T_a=25^{\circ}\text{C}$ | — | — | — | V |
| | | $T_a=+70^{\circ}\text{C}$ | — | 4.8 | — | V |
| | | | 4.2 | — | — | V |
| Input High Volt. | V_{IH} | — | $0.7V_{DD}$ | — | V_{DD} | V |
| Input Low Volt. | V_{IL} | — | -0.3 | — | 0.6 | V |
| Output High Volt. | V_{OH} | — | $0.8V_{DD}$ | — | V_{DD} | V |
| Output Low Volt. | V_{OL} | — | 0 | — | 0.4 | V |
| Supply Current | I_{DD} | — | 1.6 | 2.2 | 3.5 | mA |

6. Optical Characteristics

| Item | Symbol | Condition | Min | Typ | Max | Unit |
|----------------|--------------|-------------|-----|-----|-----|------|
| View Angle | (V) θ | $CR \geq 2$ | 20 | — | 40 | deg |
| | (H) ϕ | $CR \geq 2$ | -30 | — | 30 | deg |
| Contrast Ratio | CR | — | — | 3 | — | — |
| Response Time | T rise | — | — | 200 | 300 | ms |
| | T fall | — | — | 200 | 300 | ms |

Definition of Operation Voltage (Vop)

Definition of Response Time (Tr, Tf)



Conditions :

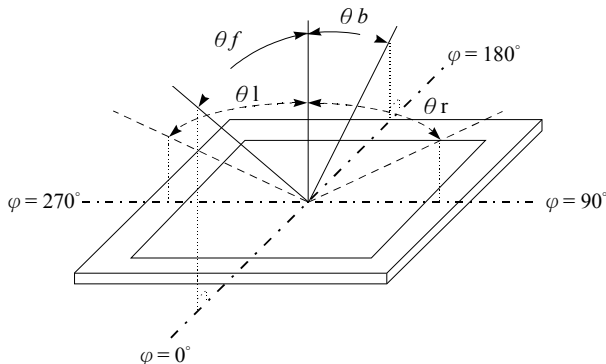
Operating Voltage : Vop

Viewing Angle(θ , ϕ) : 0° , 0°

Frame Frequency : 64 HZ

Driving Waveform : 1/N duty, 1/a bias

Definition of viewing angle($CR \geq 2$)



7.Interface Description

| Pin No. | Symbol | Level | Description |
|---------|----------------|-------|--|
| 1 | VSS | 0V | Ground |
| 2 | VDD | 5.0V | Supply voltage for logic |
| 3 | V _o | | Supply voltage for LCD |
| 4 | RS | | H: Data , L : Instruction |
| 5 | R/W | H/L | H: Read (MPU←Module) , L: Write (MPU→Module) |
| 6 | E | H/L | ENABLE SIGNAL |
| 7 | DB0 | H/L | Data bus line |
| 8 | DB1 | H/L | Data bus line |
| 9 | DB2 | H/L | Data bus line |
| 10 | DB3 | H/L | Data bus line |
| 11 | DB4 | H/L | Data bus line |
| 12 | DB5 | H/L | Data bus line |
| 13 | DB6 | H/L | Data bus line |
| 14 | DB7 | H/L | Data bus line |
| 15 | VEE | — | Positive voltage output |
| 16 | NC | — | |

9.Function Description

function Description :

System interface

ST7920 supports 3 kinds of bus interface to MPU. 8 bits parallel, 4 bits parallel and clock synchronized serial interface. Parallel interface is selected by PSB="1" and serial interface by PSB="0". 8 bit / 4 bit interface is selected by function set instruction DL bit.

Two 8 bit registers (data register DR, instruction register IR) are used in ST7920's write and read operation. Data Register (DR) can access DDRAM/CGRAM/GDRAM and IRAM's data through the address pointer implemented by Address Counter (AC). Instruction Register (IR) stores the instruction by MPU to ST7920.

4 modes of read/write operation specified by RS and RW :

| RS | RW | description |
|----|----|--|
| L | L | MPU write instruction to instruction register (IR) |
| L | H | MPU read busy flag (BF) and address counter (AC) |
| H | L | MPU write data to data register (DR) |
| H | H | MPU read data from data register (DR) |

Busy Flag (BF)

Internal operation is in progress when BF="1", ST7920 is in busy state. No new instruction will be accepted until BF="0". MPU must check BF to determine whether the internal operation is finished and new instruction can be sent.

Address counter (AC)

Address counter(AC)is used for address pointer of DDRAM/CGRAM/IRAM/GDRAM. (AC) can be set by instruction and after data read or write to the memories (AC) will increase or decrease by 1 according to the setting in "entry mode set". When RS="0" and RW= "1" and E="1" the value of (AC) will output to DB6~DB0.

16x16 character generation ROM (CGROM) and 8x16 half height ROM (HCGROM)

ST7920 provides character generation ROM supporting 8192 16 x 16 character fonts and 126 8 x 16 alphanumeric characters. It is easy to support multi languages application such as Chinese and English. Two consecutive bytes are used to specify one 16x16 character or two 8x16 half-height characters. Character codes are written into DDRAM and the corresponding fonts are mapped from CGROM or HCGROM to the display drivers.

Character generation RAM (CGRAM)

ST7920 provides RAM to support user-defined fonts. Four sets of 16x16 bit map area are available. These user-defined fonts are displayed the same ways as CGROM fonts through writing character cod data to DDRAM

ICON RAM (IRAM)

ST7920 provides 240 ICON display. It consists of 15 sets of IRAM address. Each IRAM address has 16 bits data IRAM address should be set first before writing to the IRAM. Two bytes for each address. First higher byte (D15~D8) and then lower byte (D7~D0).

Display data RAM (DDRAM)

There are 64x2 bytes for display data RAM area. Can store display data for 16 characters(16x16) by 4 lines or 32 characters(8x16) by 4 lines. However, only 2 lines can be displayed at a time. Character codes stored in DDRAM point to the fonts specified by CGROM, HCGROM and CGRAM. ST7920 display half height HCGROM fonts, user-defined CGRAM fonts and full 16x16 CGROM fonts. Data codes 0000H~0006H are for CGRAM user-defined fonts. Data codes 02H~7FH are for half height alpha numeric fonts. Data codes (A140--~D75F) are for BIG5 code and (A1A0~F7FF) are for GB code.

1. display HCGROM fonts: Write 2 bytes data to DDRAM to display two 8x16 fonts. Each byte represents 1 character font. The data of each byte is 02H~7FH.
2. display CGRAM fonts: Write 2 bytes data to DDRAM to display one 16x16 font. Only 0000H, 0002H, 0004H, 0006H are allowed.
3. display CGROM fonts: Write 2 bytes data to DDRAM to display one 16x16 font. A140H~D75FH are for (BIG5) code, A1A0H~F7FFH are for (GB) code.

Higher byte (D15--, D8) are written first and then lower byte (D7~D0) . Refer to Table 5 for address map

CGRAM fonts and CGROM fonts can only be displayed in the start position of each address. (Refer to Table 4)

| | | | | | | | | | | | | | | | |
|-----|-----|-----|-----|-----|-----|-----|-----|-----|-----|-----|-----|-----|-----|-----|-----|
| 80 | 81 | 82 | 83 | 84 | 85 | 86 | 87 | 88 | 89 | 8A | 8B | 8C | 8D | 8E | 8F |
| H L | H L | H L | H L | H L | H L | H L | H L | H L | H L | H L | H L | H L | H L | H L | H L |
| S | I | t | r | o | n | I | x | S | T | 7 | 9 | 2 | 0 | | |
| 矽 | 創 | 電 | 子 | . | 中 | 文 | 編 | 碼 | (| 正 | 確 |) | | | |
| 矽 | 創 | 電 | 子 | | | 中 | 文 | 編 | 碼 | | | | | | |

Table 4

Incorrect position

Graphic RAM (GDRAM)

Graphic display RAM supports 64x256 bits bit-mapped memory space. GDRAM address is set by writing 2 consecutive bytes for vertical address and horizontal address. Two-bytes data write to GDRAM for one address. Address counter will automatically increase by one for the next two-byte data. The procedure is as followings.

Table 5 : DDRAM data (character code) , CGRAM data / address map

Note

1. DDRAM data (character code) bit1 and bit2 are the same as CGRAM address bit4 and bit5.
2. CGRAM address bit0 to bit3 specify total 16 rows. Row16 is for cursor display. The data in row 16 will be logical OR to the cursor.
3. CGRAM data for each address is 16 bits.
4. DDRAM data to select CGRAM bit4 to bit15 must be “0”. Bit0 and bit3 value are “don’t care”.

| ICON RAM address Set SR "0",and then set IRAM address AC3...AC0 | | | | ICON RAM data | | | | | | | | | | | | | | | |
|--|-----|-----|-----|---------------|--------|--------|--------|--------|--------|--------|--------|------------|--------|--------|--------|--------|--------|--------|--------|
| | | | | Higher byte | | | | | | | | Lower byte | | | | | | | |
| AC3 | AC2 | AC1 | AC0 | D15 | D14 | D13 | D12 | D11 | D10 | D9 | D8 | D7 | D6 | D5 | D4 | D3 | D2 | D1 | D0 |
| 0 | 0 | 0 | 0 | SEG0 | SEG1 | SEG2 | SEG3 | SEG4 | SEG5 | SEG6 | SEG7 | SEG8 | SEG9 | SEG10 | SEG11 | SEG12 | SEG13 | SEG14 | SEG15 |
| 0 | 0 | 0 | 1 | SEG16 | SEG17 | SEG18 | SEG19 | SEG20 | SEG21 | SEG22 | SEG23 | SEG24 | SEG25 | SEG26 | SEG27 | SEG28 | SEG29 | SEG30 | SEG31 |
| 0 | 0 | 1 | 0 | SEG32 | SEG33 | SEG34 | SEG35 | SEG36 | SEG37 | SEG38 | SEG39 | SEG40 | SEG41 | SEG42 | SEG43 | SEG44 | SEG45 | SEG46 | SEG47 |
| 0 | 0 | 1 | 1 | SEG48 | SEG49 | SEG50 | SEG51 | SEG52 | SEG53 | SEG54 | SEG55 | SEG56 | SEG57 | SEG58 | SEG59 | SEG60 | SEG61 | SEG62 | SEG63 |
| 0 | 1 | 0 | 0 | SEG64 | SEG65 | SEG66 | SEG67 | SEG68 | SEG69 | SEG70 | SEG71 | SEG72 | SEG73 | SEG74 | SEG75 | SEG76 | SEG77 | SEG78 | SEG79 |
| 0 | 1 | 0 | 1 | SEG80 | SEG81 | SEG82 | SEG83 | SEG84 | SEG85 | SEG86 | SEG87 | SEG88 | SEG89 | SEG90 | SEG91 | SEG92 | SEG93 | SEG94 | SEG95 |
| 0 | 1 | 1 | 0 | SEG96 | SEG97 | SEG98 | SEG99 | SEG100 | SEG101 | SEG102 | SEG103 | SEG104 | SEG105 | SEG106 | SEG107 | SEG108 | SEG109 | SEG110 | SEG111 |
| 0 | 1 | 1 | 1 | SEG112 | SEG113 | SEG114 | SEG115 | SEG116 | SEG117 | SEG118 | SEG119 | SEG120 | SEG121 | SEG122 | SEG123 | SEG124 | SEG125 | SEG126 | SEG127 |
| 1 | 0 | 0 | 0 | SEG128 | SEG129 | SEG130 | SEG131 | SEG132 | SEG133 | SEG134 | SEG135 | SEG136 | SEG137 | SEG138 | SEG139 | SEG140 | SEG141 | SEG142 | SEG143 |
| 1 | 0 | 0 | 1 | SEG144 | SEG145 | SEG146 | SEG147 | SEG148 | SEG149 | SEG150 | SEG151 | SEG152 | SEG153 | SEG154 | SEG155 | SEG156 | SEG157 | SEG158 | SEG159 |
| 1 | 0 | 1 | 0 | SEG160 | SEG161 | SEG162 | SEG163 | SEG164 | SEG165 | SEG166 | SEG167 | SEG168 | SEG169 | SEG170 | SEG171 | SEG172 | SEG173 | SEG174 | SEG175 |
| 1 | 0 | 1 | 1 | SEG176 | SEG177 | SEG178 | SEG179 | SEG180 | SEG181 | SEG182 | SEG183 | SEG184 | SEG185 | SEG186 | SEG187 | SEG188 | SEG189 | SEG190 | SEG191 |
| 1 | 1 | 0 | 0 | SEG192 | SEG193 | SEG194 | SEG195 | SEG196 | SEG197 | SEG198 | SEG199 | SEG200 | SEG201 | SEG202 | SEG203 | SEG204 | SEG205 | SEG206 | SEG207 |
| 1 | 1 | 0 | 1 | SEG208 | SEG209 | SEG210 | SEG211 | SEG212 | SEG213 | SEG214 | SEG215 | SEG216 | SEG217 | SEG218 | SEG219 | SEG220 | SEG221 | SEG222 | SEG223 |
| 1 | 1 | 1 | 0 | SEG224 | SEG225 | SEG226 | SEG227 | SEG228 | SEG229 | SEG230 | SEG231 | SEG232 | SEG233 | SEG234 | SEG235 | SEG236 | SEG237 | SEG238 | SEG239 |
| 1 | 1 | 1 | 1 | --- | --- | --- | --- | --- | --- | --- | --- | --- | --- | --- | --- | --- | --- | --- | --- |

Table 6 ICON RAM address,data and segment pins

| | | | | | | | | | | | | | | |
|---|---|---|----|----|---|---|---|---|---|---|---|---|---|---|
| ☒ | ☒ | ☒ | ♥ | ♦ | ♠ | ♣ | • | ◦ | ◉ | ♂ | ♀ | ♪ | ♫ | ✳ |
| ▶ | ◀ | ‡ | !! | ¶ | § | — | ‡ | † | ↓ | → | ← | └ | ‡ | ▼ |
| | ! | " | # | \$ | % | & | ' | (|) | * | + | , | - | . |
| 0 | 1 | 2 | 3 | 4 | 5 | 6 | 7 | 8 | 9 | : | ; | < | = | > |
| Ⓐ | A | B | C | D | E | F | G | H | I | J | K | L | M | N |
| Ⓟ | P | Q | R | S | T | U | V | W | X | Y | Z | [| \ |] |
| ' | a | b | c | d | e | f | g | h | i | j | k | l | m | n |
| Ⓟ | p | q | r | s | t | u | v | w | x | y | z | { | } | ~ |

Table 6 16x8 half-height characters

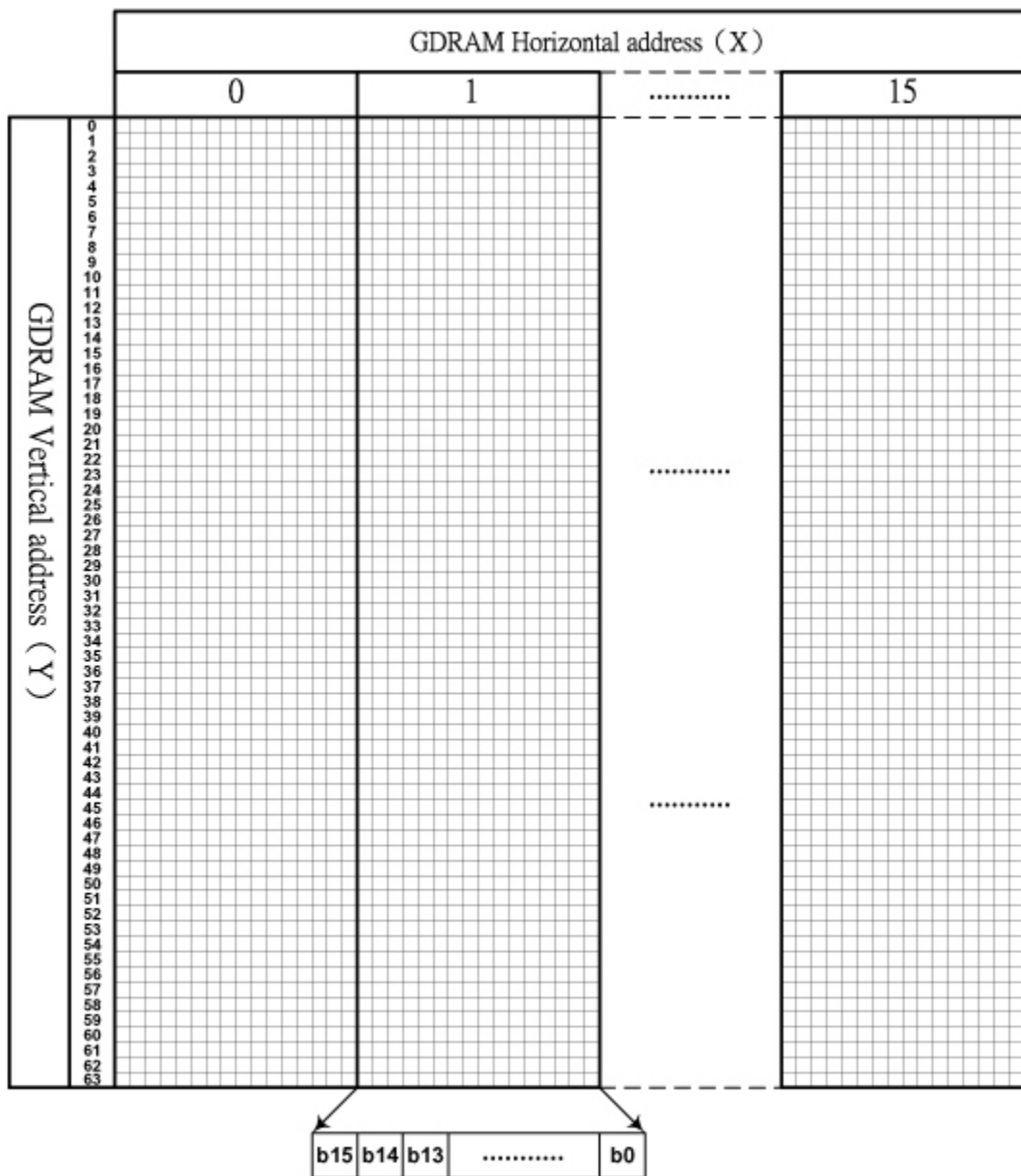


Table 8 GDRAM display coordinates and corresponding address

10. Instructions

Instructions

ST7920 offers basic instruction set and extended instruction set:

| Ins | code | | | | | | | | | | Description | Exec time (540KHZ) | |
|-------------------------------------|------|----|-----|-----|-----|-----|-----|-----|-----|-----|-------------|--|--------|
| | RS | RW | DB7 | DB6 | DB5 | DB4 | DB3 | DB2 | DB1 | DB0 | | | |
| CLEAR | 0 | 0 | 0 | 0 | 0 | 0 | 0 | 0 | 0 | 0 | 1 | Fill DDRAM with "20H", and set DDRAM address counter (AC) to "00H" | 1.6 ms |
| HOME | 0 | 0 | 0 | 0 | 0 | 0 | 0 | 0 | 0 | 1 | X | Set DDRAM address counter (AC) to "00H", and put cursor to origin; to content of DDRAM are not changed. | 72 us |
| ENTRY MODE | 0 | 0 | 0 | 0 | 0 | 0 | 0 | 0 | 1 | I/D | S | Set cursor position and shift when doing write or read operation. | 72 us |
| DISPLAY ON/OFF | 0 | 0 | 0 | 0 | 0 | 0 | 0 | 1 | D | C | B | D=1 : display ON C=1 : cursor ON B=1 : blink ON | 72 us |
| CURSOR DISPLAY CONTROL | 0 | 0 | 0 | 0 | 0 | 0 | 1 | S/C | R/L | X | X | Cursor position and display shift control ; the content of DDRAM are not changed. | 72 us |
| FUNCTION SET | 0 | 0 | 0 | 0 | 1 | DL | X | 0 | X | X | X | DL=1 8-BIT interface DL=0 4-BIT interface RE=1 : extended instruction RE=0 : basic instruction | 72 us |
| SET CGRAM ADDR. | 0 | 0 | 0 | 1 | AC5 | AC4 | AC3 | AC2 | AC1 | AC0 | AC0 | Set CGRAM address to address counter (AC) Make sure that in extended instruction SR=0 (scroll or RAM address select) | 72 us |
| SET DDRAM ADDR. | 0 | 0 | 1 | 0 | AC5 | AC4 | AC3 | AC2 | AC1 | AC0 | AC0 | Set DDRAM address to address counter(AC) AC6 is fixed to 0 | 72 us |
| READ BUSY FLAG(BF) & ADDR. | 0 | 1 | BF | AC6 | AC5 | AC4 | AC3 | AC2 | AC1 | AC0 | AC0 | Read busy flag (BF) for completion of internal operation, also Read out the value of address counter(AC) | 0 us |
| WRITE RAM | 1 | 0 | D7 | D6 | D5 | D4 | D3 | D2 | D1 | D0 | D0 | Write data to internal RAM (DDRAM/CGRAM/IRAM/GDRAM) | 72 us |
| READ RAM | 1 | 1 | D7 | D6 | D5 | D4 | D3 | D2 | D1 | D0 | D0 | Read data from internal RAM (DDRAM/CGRAM/IRAM/GDRAM) | 72 us |

Instruction set 2 : (RE=1 : extended instruction)

| Ins | code | | | | | | | | | | Description | Exec time (540KHZ) |
|----------------------------|------|----|-----|-----|-----|-----|-----|-----|-----|------|--|-----------------------|
| | RS | RW | DB7 | DB6 | DB5 | DB4 | DB3 | DB2 | DB1 | DB0 | | |
| STAND BY | 0 | 0 | 0 | 0 | 0 | 0 | 0 | 0 | 0 | 1 | Enter stand by mode, any other instruction can terminate (Com1..32 halted, only Com33 ICON can display) | 72 us |
| SCROLL or RAM ADDR. SELECT | 0 | 0 | 0 | 0 | 0 | 0 | 0 | 0 | 0 | 1 SR | SR=1 : enable vertical scroll position SR=0 : enable IRAM address (extended instruction) SR=0 : enable CGRAM address (basic instruction) | 72 us |
| REVERSE | 0 | 0 | 0 | 0 | 0 | 0 | 0 | 1 | R1 | R0 | Select 1 out of 4 line (in DDRAM) and decide whether to reverse the display by toggling this instruction. R1, R0 initial value is 00 | 72 us |
| SLEEP | 0 | 0 | 0 | 0 | 0 | 0 | 1 | SL | X | X | SL=1 : leave sleep mode SL=0 : enter sleep mode | 72 us |
| EXTENDED FUNCTION SET | 0 | 0 | 0 | 0 | 1 | DL | X | 1 | G | 0 RE | DL=1 8-BIT interface DL=0 4-BIT interface RE=1 : extended instruction RE=0 : basic instruction G=1 : graphic display ON G=0 : graphic display OFF | 72 us |
| SET IRAM or SCROLL ADDR | 0 | 0 | 0 | 1 | AC5 | AC4 | AC3 | AC2 | AC1 | AC0 | SR=1 : AC5~AC0 the address of vertical scroll SR=0 : AC3~AC0 the address of ICON RAM | 72 us |
| SET GRAPHIC RAM ADDR. | 0 | 0 | 1 | 0 | 0 | 0 | AC3 | AC2 | AC1 | AC0 | Set CGRAM address to address counter (AC) First set vertical address and the horizontal address by consecutive writing. Vertical address range AC6..AC0 Horizontal address range AC3..AC0 | 72 us |

Note :

1. Make sure that ST7920 is not in busy state by reading the busy flag before sending instruction or data. If use delay loop instead please make sure the delay time is enough. Please refer to the instruction execution time.
2. "RE" is the selection bit of basic and extended instruction set. Each time when altering the value of RE it will remain. There is no need to set RE every time when using the same group of instruction set.

Initial setting(Register flag) (RE=0: basic instruction)

| Ins | code | | | | | | | | | | | Description |
|---------------|------|----|-----|-----|-----|-----|-----|-----|-----|-----|---|---|
| | RS | RW | DB7 | DB6 | DB5 | DB4 | DB3 | DB2 | DB1 | DB0 | | |
| ENTRY | 0 | 0 | 0 | 0 | 0 | 0 | 0 | 1 | I/D | S | | Cursor move to right, DDRAM address counter (AC) plus 1 |
| MODE SET | | | | | | | | | | 1 | 0 | |
| DISPLAY | 0 | 0 | 0 | 0 | 0 | 0 | 1 | D | C | B | | Display, cursor and blink ALL OFF |
| STATUS | | | | | | | | 0 | 0 | 0 | | |
| CURSOR | 0 | 0 | 0 | 0 | 0 | 1 | S/C | R/L | X | X | | No cursor or display shift operation |
| DISPLAY SHIFT | | | | | | | X | X | | | | |
| FUNCTION SET | 0 | 0 | 0 | 0 | 1 | DL | X | 0 | X | X | | 8 BIT MPU interface, basic instruction set |
| | | | | | | 1 | | RE | | | | |

Initial setting(Register flag) (RE=1 : extended instruction set)

| Ins | code | | | | | | | | | | | Description |
|----------------------------|------|----|-----|-----|-----|-----|-----|-----|-----|-----|-----|---|
| | RS | RW | DB7 | DB6 | DB5 | DB4 | DB3 | DB2 | DB1 | DB0 | | |
| SCROLL OR RAM ADDR. SELECT | 0 | 0 | 0 | 0 | 0 | 0 | 0 | 1 | 1 | SR | | Allow IRAM address or set CGRAM address |
| | | | | | | | | | | | 0 | |
| REVERSE | 0 | 0 | 0 | 0 | 0 | 0 | 0 | 1 | R1 | R0 | | Begin with normal and toggle to reverse |
| | | | | | | | | | | | 0 0 | |
| SLEEP | 0 | 0 | 0 | 0 | 0 | 0 | 1 | SL | X | X | | Not in sleep mode |
| | | | | | | | | 1 | | | | |
| EXTENDED FUNCTION SET | 0 | 0 | 0 | 0 | 1 | DL | X | 0 | G | X | | Graphic display OFF |
| | | | | | | | | RE | | 0 | | |

Description of basic instruction set

● CLEAR

| | | | | | | | | | | |
|------|----|----|-----|-----|-----|-----|-----|-----|-----|-----|
| | RS | RW | DB7 | DB6 | DB5 | DB4 | DB3 | DB2 | DB1 | DB0 |
| code | | | 0 | 0 | 0 | 0 | 0 | 0 | 0 | 1 |

Fill DDRAM with "20H"(space code). And set DDRAM address counter (AC to "00H". Set entry mode I/D bit to be "1".

Cursor moves right and AC adds 1 after write or read operation.

● HOME

| | | | | | | | | | | |
|------|----|----|-----|-----|-----|-----|-----|-----|-----|-----|
| | RS | RW | DB7 | DB6 | DB5 | DB4 | DB3 | DB2 | DB1 | DB0 |
| code | | | 0 | 0 | 0 | 0 | 0 | 0 | 0 | X |

Set DDRAM address counter AC to "00H". Cursor moves to origin. Then content of DDRAM is not changed.

● ENTRY MODE SET

| | | | | | | | | | | |
|------|----|----|-----|-----|-----|-----|-----|-----|-----|-----|
| | RS | RW | DB7 | DB6 | DB5 | DB4 | DB3 | DB2 | DB1 | DB0 |
| code | | | 0 | 0 | 0 | 0 | 0 | 0 | 1 | S |

Set the cursor movement and display shift direction when doing write or read operation.

I/D :address counter increase / decrease

When I/D = "1", cursor moves right, DRAM address counter AC add by 1.

When I/D = "0", cursor moves left, DRAM address counter AC subtract by 1.

S: Display shift

| S | I/D | DESCRIPTION |
|---|-----|---------------------------------|
| H | H | Entire display shift left by 1 |
| H | L | Entire display shift right by 1 |

● DISPLAY STATUS

| | | | | | | | | | | |
|------|----|----|-----|-----|-----|-----|-----|-----|-----|-----|
| | RS | RW | DB7 | DB6 | DB5 | DB4 | DB3 | DB2 | DB1 | DB0 |
| code | | | 0 | 0 | 0 | 0 | 0 | 1 | D | C |

Controls display, cursor and blink ON/OFF.

D : Display ON/OFF control bit

When D = "1", display ON

When D = "0",display OFF , the content of DDRAM is not changed

C : Cursor ON/OFF control bit

When C = "1", cursor ON.

When C = "0", cursor OFF.

B : Blink ON/OFF control bit

When B = "1", cursor position blink ON. Then display data in cursor position will blink.

When B = "0", cursor position blink OFF

● CURSOR AND DISPLAY SHIFT CONTROL

| | | | | | | | | | | | | | | |
|------|----|----|-----|-----|-----|-----|-----|-----|-----|-----|---|---|--|--|
| | RS | RW | DB7 | DB6 | DB5 | DB4 | DB3 | DB2 | DB1 | DB0 | | | | |
| code | | | 0 | 0 | 0 | 0 | 0 | 1 | S/C | R/L | X | X | | |

Instruction to move the cursor or shift the entire display. The content of DDRAM is not changed.

| S/C | R/L | Description | AC Value |
|-----|-----|---|----------|
| L | L | Cursor moves left by 1 | AC=AC-1 |
| L | H | Cursor moves right by 1 | AC=AC+1 |
| H | L | Display shift left by 1, cursor also follows to shift. | AC=AC |
| H | H | Display shift right by 1, cursor also follows to shift. | AC=AC |

● FUNCTION SET

| | | | | | | | | | | | | | | |
|------|----|----|-----|-----|-----|-----|-----|-----|-----|-----|---|---|--|--|
| | RS | RW | DB7 | DB6 | DB5 | DB4 | DB3 | DB2 | DB1 | DB0 | | | | |
| code | | | 0 | 0 | 0 | 0 | 1 | DL | X | RE | X | X | | |

DL : 4/8 BIT interface control bit

When DL = "1", **8 BIT** MPU bus interface

When DL = "0", **4 BIT** MPU bus interface

RE : extended instruction set control bit

When RE = "1", extended instruction set

When RE = "0", basic instruction set

In same instruction cannot alter DL and RE at once. Make sure that change DL first then RE.

● SET CGRAM ADDRESS

| | | | | | | | | | | | | | | |
|------|----|----|-----|-----|-----|-----|-----|-----|-----|-----|-----|-----|--|--|
| | RS | RW | DB7 | DB6 | DB5 | DB4 | DB3 | DB2 | DB1 | DB0 | | | | |
| code | | | 0 | 0 | 0 | 1 | AC5 | AC4 | AC3 | AC2 | AC1 | AC0 | | |

Set CGRAM address to address counter AC

AC range is 00H..3FH

Make sure that in extended instruction SR=0 (scroll address or RAM address select)

● **SET DDRAM ADDRESS**

| | | | | | | | | | | | | |
|------|----|----|-----|-----|-----|-----|-----|-----|-----|-----|-----|-----|
| | RS | RW | DB7 | DB6 | DB5 | DB4 | DB3 | DB2 | DB1 | DB0 | | |
| code | | | 0 | 0 | 1 | AC6 | AC5 | AC4 | AC3 | AC2 | AC1 | AC0 |

Set DDRAM address to address counter (AC) .

First line AC range is 80H..8FH

Second line AC range is 90H..9FH

Third line AC range is A0H..AFH

Fourth line AC range is B0H..BFH

Please note that only 2 lines can be display at a time.

● **READ BUSY FLAG (BF) AND ADDRESS**

| | | | | | | | | | | | | |
|------|----|----|-----|-----|-----|-----|-----|-----|-----|-----|-----|-----|
| | RS | RW | DB7 | DB6 | DB5 | DB4 | DB3 | DB2 | DB1 | DB0 | | |
| code | | | 0 | 1 | BF | AC6 | AC5 | AC4 | AC3 | AC2 | AC1 | AC0 |

Read busy flag BF can check whether internal operation is finished. At the same time the value of address counter (AC) is also read. When BF = “1” new instruction will not be accepted. Must wait for BF = “0” for new instruction.

● **WRITE DATA TO RAM**

| | | | | | | | | | | | | |
|------|----|----|-----|-----|-----|-----|-----|-----|-----|-----|----|----|
| | RS | RW | DB7 | DB6 | DB5 | DB4 | DB3 | DB2 | DB1 | DB0 | | |
| code | | | 1 | 0 | D7 | D6 | D5 | D4 | D3 | D2 | D1 | D0 |

Write data to internal RAM and alter the (AC) by 1

Each RAM address (CGRAM,DDRAM,IRAM.....) must write 2 consecutive bytes for 16 bit data. After the second byte the address counter will add or subtract by 1 according to the entry mode set control bit.

● **READ RAM DATA**

| | | | | | | | | | | | | |
|------|----|----|-----|-----|-----|-----|-----|-----|-----|-----|----|----|
| | RS | RW | DB7 | DB6 | DB5 | DB4 | DB3 | DB2 | DB1 | DB0 | | |
| code | | | 1 | 1 | D7 | D6 | D5 | D4 | D3 | D2 | D1 | D0 |

Read data from internal RAM and alter the (AC) by 1

After address set to read (CGRAM,DDRAM,IRAM.....)a DUMMY READ is required.

There is no need to DUMMY READ for the following bytes unless a new address set instruction is issued.

Description of extended instruction set

● STAND BY

| | | | | | | | | | | | |
|------|----|-----|-----|-----|-----|-----|-----|-----|-----|---|---|
| RS | RW | DB7 | DB6 | DB5 | DB4 | DB3 | DB2 | DB1 | DB0 | | |
| code | | 0 | 0 | 0 | 0 | 0 | 0 | 0 | 0 | 0 | 1 |

Instruction to enter stand by mode. Any other instruction follows this instruction can terminate stand by.

The content of DDRAM remain the same.

● VERTICAL SCROLL OR RAM ADDRESS SELECT

| | | | | | | | | | | | |
|------|----|-----|-----|-----|-----|-----|-----|-----|-----|---|----|
| RS | RW | DB7 | DB6 | DB5 | DB4 | DB3 | DB2 | DB1 | DB0 | | |
| code | | 0 | 0 | 0 | 0 | 0 | 0 | 0 | 0 | 1 | SR |

When SR = "1", the vertical scroll address set is enabled.

When SR = "0", the IRAM address set (**extended instruction**) and CGRAM address set (**basic instruction**) is enabled.

● REVERSE

| | | | | | | | | | | | | |
|------|----|-----|-----|-----|-----|-----|-----|-----|-----|---|----|----|
| RS | RW | DB7 | DB6 | DB5 | DB4 | DB3 | DB2 | DB1 | DB0 | | | |
| code | | 0 | 0 | 0 | 0 | 0 | 0 | 0 | 0 | 1 | R1 | R0 |

Select 1 out of 4 lines to reverse the display and to toggle the reverse condition by repeating this instruction.

R1,R0 initial vale is 00. When set the first time the display is reversed and set the second time the display become normal.

| R1 | R0 | Description |
|----|----|-------------------------------|
| L | L | First line normal or reverse |
| L | H | Second line normal or reverse |
| H | L | Third line normal or reverse |
| H | H | Fourth line normal or reverse |

Please note that only 2 lines out of 4 line display data can be displayed.

● SLEEP

| | | | | | | | | | | | |
|------|----|-----|-----|-----|-----|-----|-----|-----|-----|---|---|
| RS | RW | DB7 | DB6 | DB5 | DB4 | DB3 | DB2 | DB1 | DB0 | | |
| code | | 0 | 0 | 0 | 0 | 0 | 0 | 1 | SL | 0 | 0 |

SL=1: leave sleep mode

SL=0: enter sleep mode

● **EXTENDED FUNCTION SET**

| | | | | | | | | | | | | | | |
|------|----|----|-----|-----|-----|-----|-----|-----|-----|-----|---|---|--|--|
| | RS | RW | DB7 | DB6 | DB5 | DB4 | DB3 | DB2 | DB1 | DB0 | | | | |
| code | | | 0 | 0 | 0 | 0 | 1 | DL | X | RE | G | X | | |

DL : 4/8 BIT interface control bit

When DL = "1", **8 BIT** MPU interface

When DL = "0", **4 BIT** MPU interface

RE : extended instruction set control bit

When RE = "1", extended instruction set

When RE = "0", basic instruction set

G : Graphic display control bit

When G = "1", graphic display ON

When G = "0", Graphic display OFF

In same instruction cannot alter DL, RE and G at once. Make sure that change DL or G first and then RE.

● **SET IRAM OR SCROLL ADDRESS**

| | | | | | | | | | | | | | | |
|------|----|----|-----|-----|-----|-----|-----|-----|-----|-----|-----|-----|--|--|
| | RS | RW | DB7 | DB6 | DB5 | DB4 | DB3 | DB2 | DB1 | DB0 | | | | |
| code | | | 0 | 0 | 0 | 1 | AC5 | AC4 | AC3 | AC2 | AC1 | AC0 | | |

SR=1: AC5~AC0 is vertical scroll displacement address

SR=0: AC3~AC0 is ICON RAM address

● **SET GRAPHIC RAM ADDRESS**

| | | | | | | | | | | | | | | |
|------|----|----|-----|-----|-----|-----|-----|-----|-----|-----|-----|-----|--|--|
| | RS | RW | DB7 | DB6 | DB5 | DB4 | DB3 | DB2 | DB1 | DB0 | | | | |
| code | | | 0 | 0 | 1 | AC6 | AC5 | AC4 | AC3 | AC2 | AC1 | AC0 | | |

Set GDRAM address to address counter AC .

First set vertical address and then horizontal address(write 2 consecutive bytes to complete vertical and horizontal address set)

Vertical address range is AC6...AC0

Horizontal address range is AC3...AC0

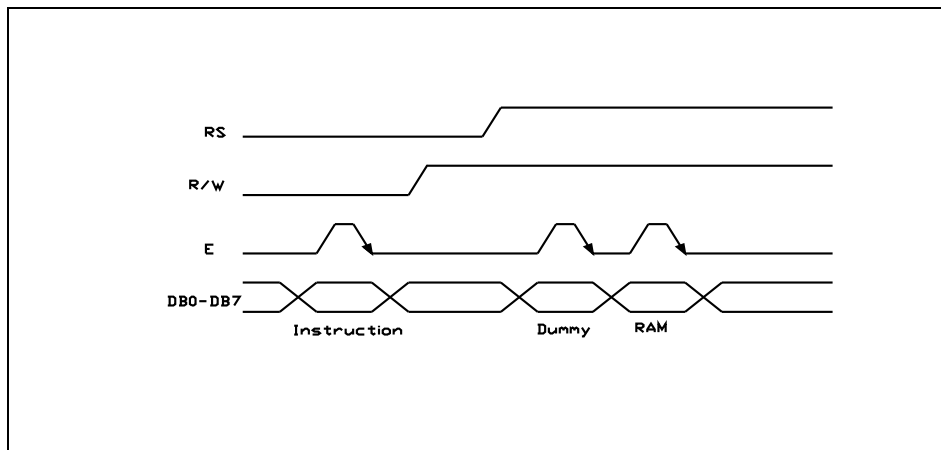
The address counter AC of graphic RAM(GRAM) only increment after write for horizontal address. After horizontal address=0FH it will automatically back to 00H. However, the vertical address will not increase as the result of the same action.

11.Parallel interface

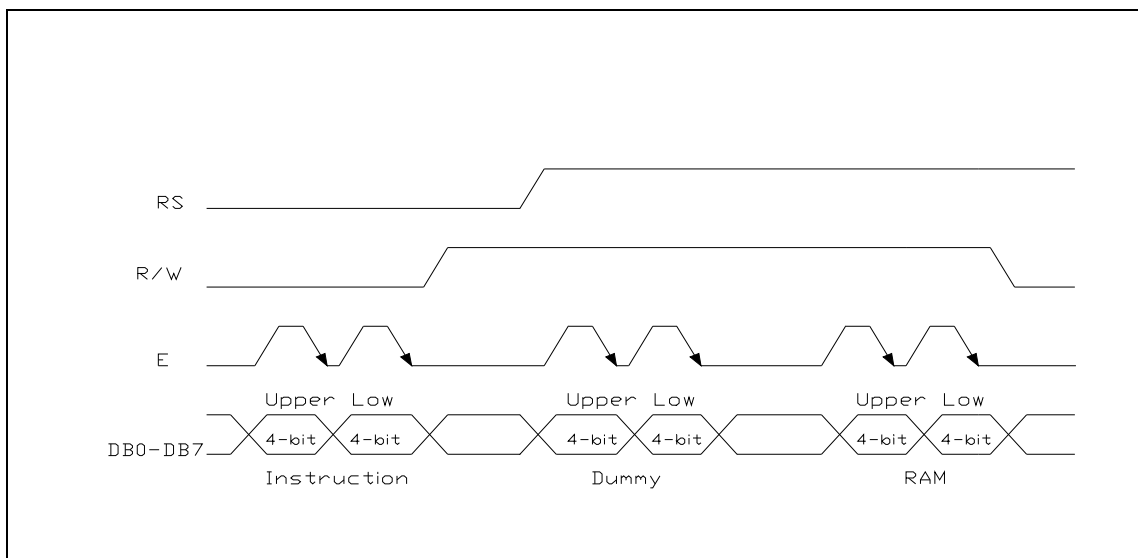
ST7920 is in parallel mode by pulling up PSB pin. And can select 8 bit or 4-bit bus interface by function set instruction DL control bit. MPU can control (RS , RW , E , and DB0..DB7) pins to complete the data transmission.

In 4-bit transfer mode, every 8 bits data or instruction is separated into 2 parts. Higher 4 bits DB7~DB4 data will transfer first.

First and placed into data pins (DB7~DB4). Lower 4 bits (DB3~DB0) data will transfer second and placed into data pins (DB7~DB4). (DB3~DB0) data pins are not used.



Timing Diagram of 8-bit Parallel Bus Mode Data Transfer



Timing Diagram of 4-bit Parallel Bus Mode Data Transfer

Serial interface :

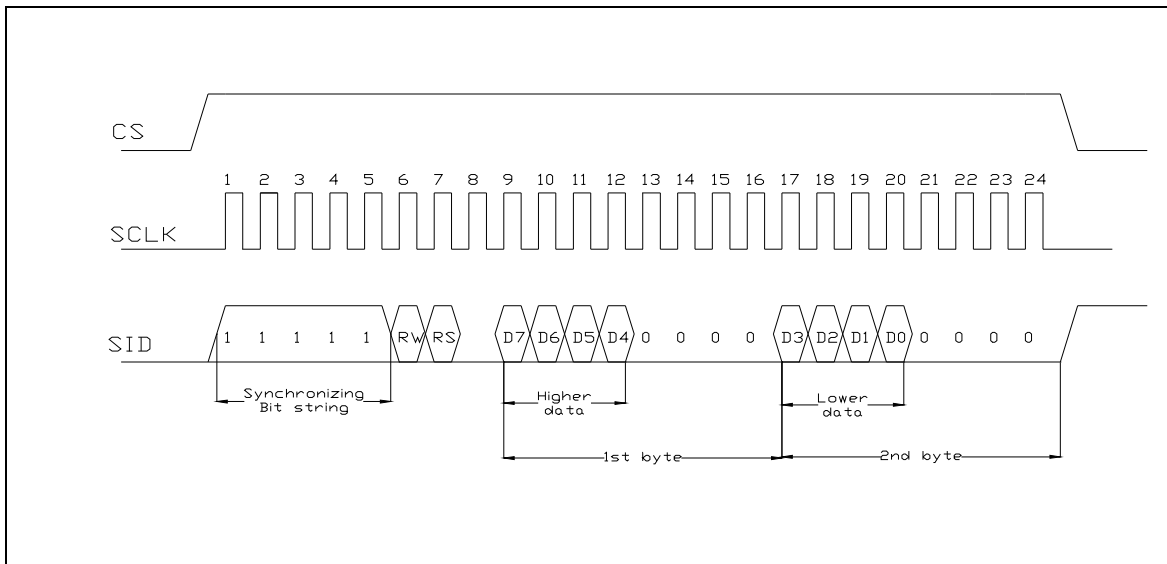
ST7920 is in serial interface mode when pull down PSB pin. Two pins (SCLK and SID) are used to complete the data transfer. Only write data is available.

When connecting several ST7920, chip select (CS) must be used. Only when (CS) is high the serial clock (SCLK) can be accepted. On the other hand, when chip select (CS) is low ST7920 serial counter and data will be reset. Transmission will be terminated and data will be cleared. Serial transfer counter is set to the first bit. For a minimal system with only one ST7920 and one MPU, only SCLK and SID pins are necessary. CS pin should pull to high.

ST7920's serial clock SCLK is asynchronous to the internal clock and is generated by MPU. When multiple instruction/data is transferred instruction execution time must be considered. Must wait for the previous instruction to finish before sending the next. ST7920 has no internal instruction buffer area.

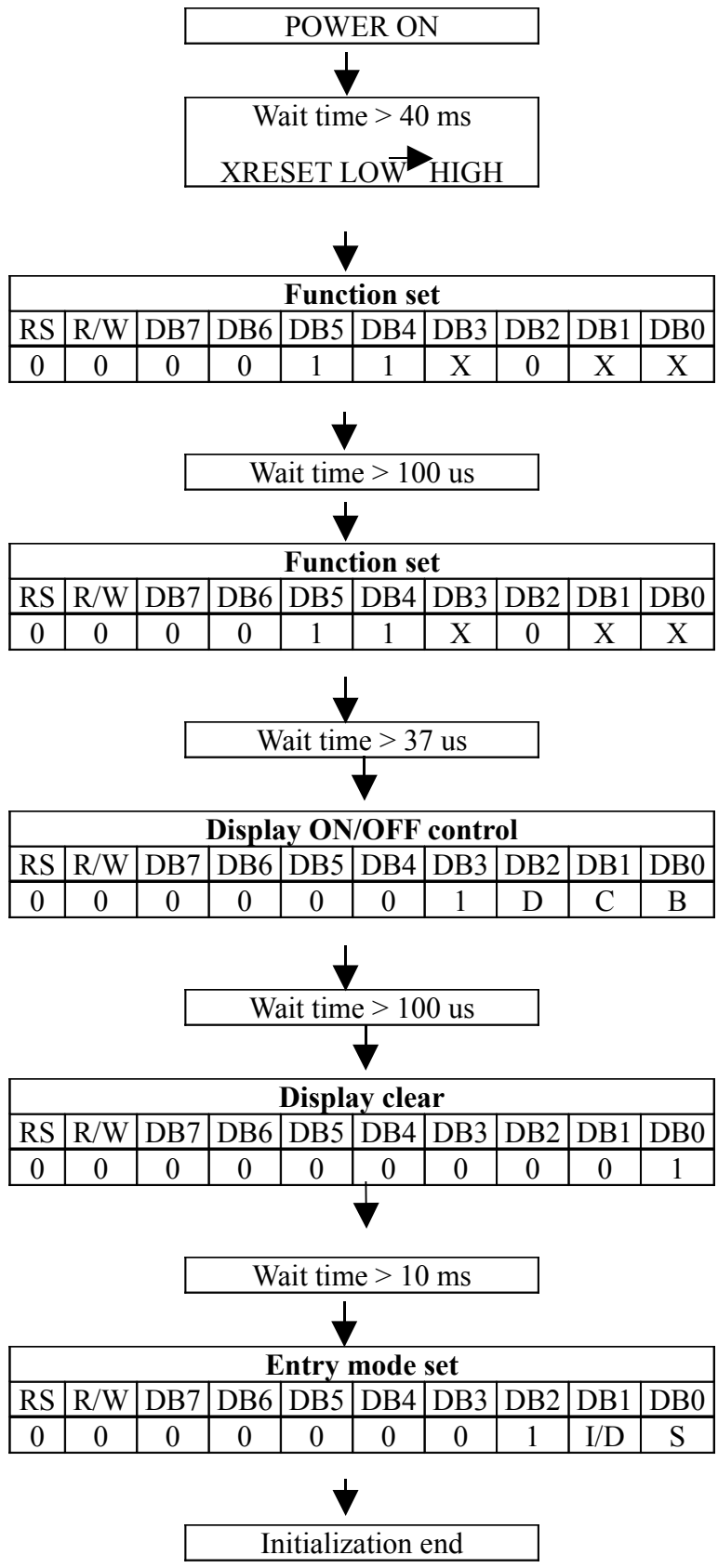
When starting a transmission a start byte is required. It consists of 5 consecutive "1"(sync character). Serial transfer counter will be reset and synchronized. Following 2 bits for read/write (RW) and register/data select (RS). Last 4 bits is filled by "0"

After receiving the sync character and RW and RS bits, every 8 bits instruction/data will be separated into 2 groups. Higher 4 bits (DB7~DB4) will be placed in first section followed by 4 "0". And lower 4 bits DB3~DB0 will be placed in second section followed by 4 "0".

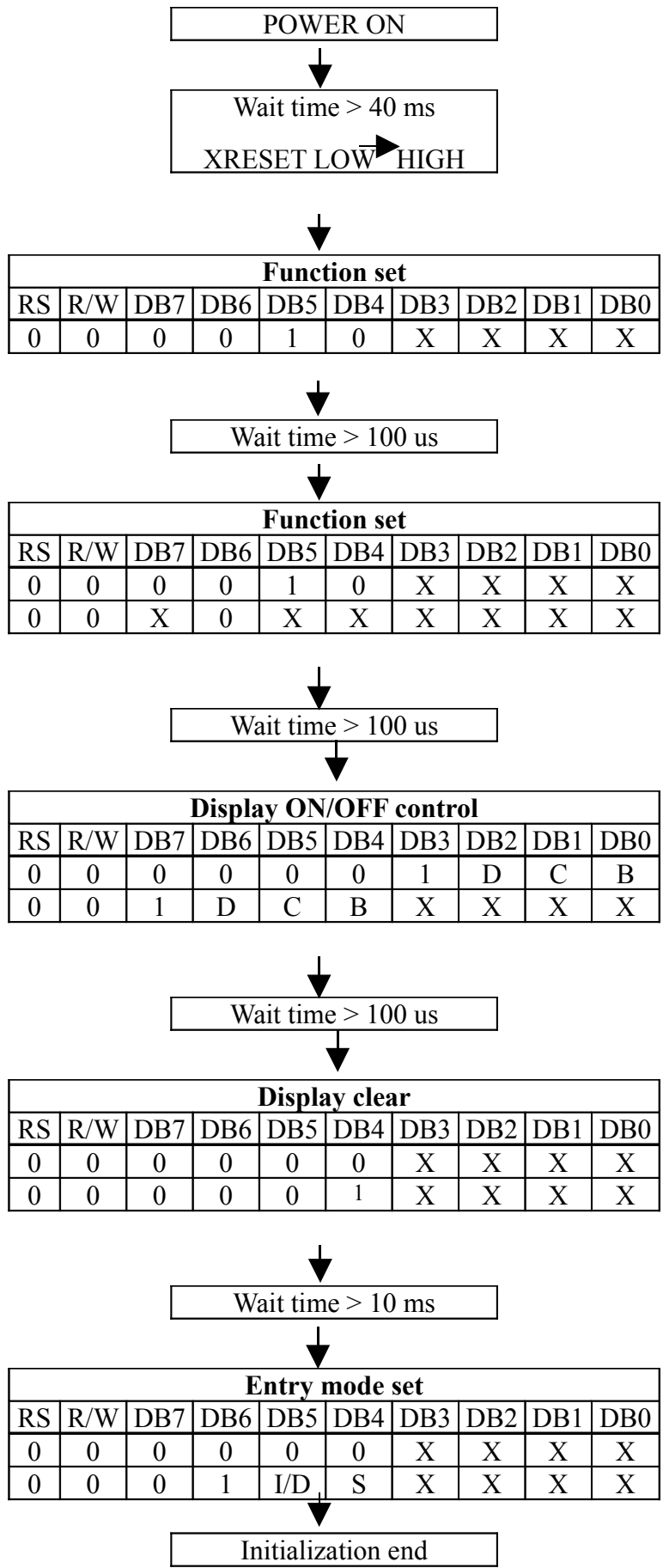


Timing Diagram of Serial Mode Data Transfer

8 bit interface :

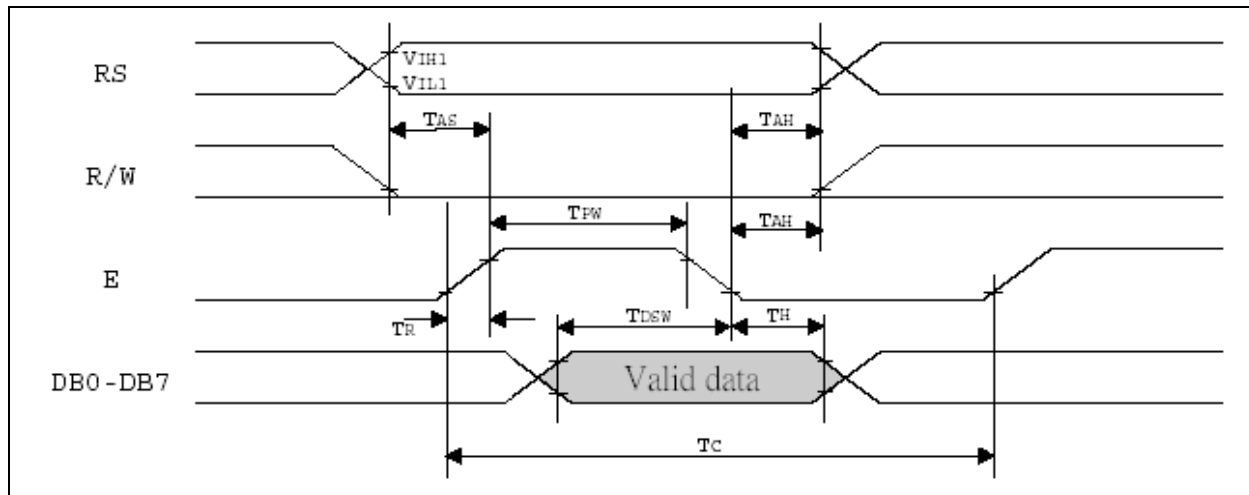


4 bit interface :

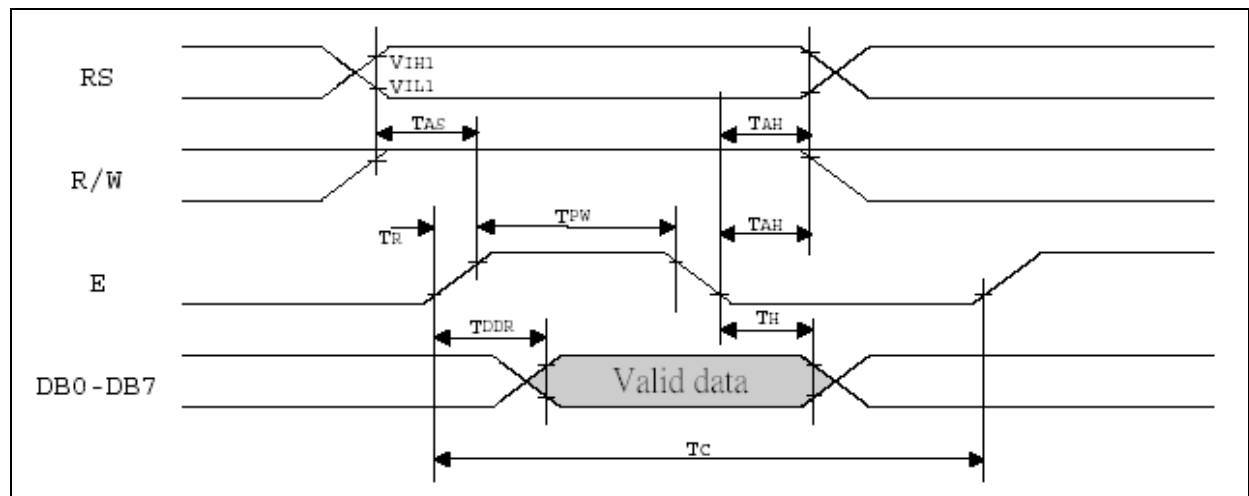


8 bit interface timing diagram

- MPU write data to ST7920

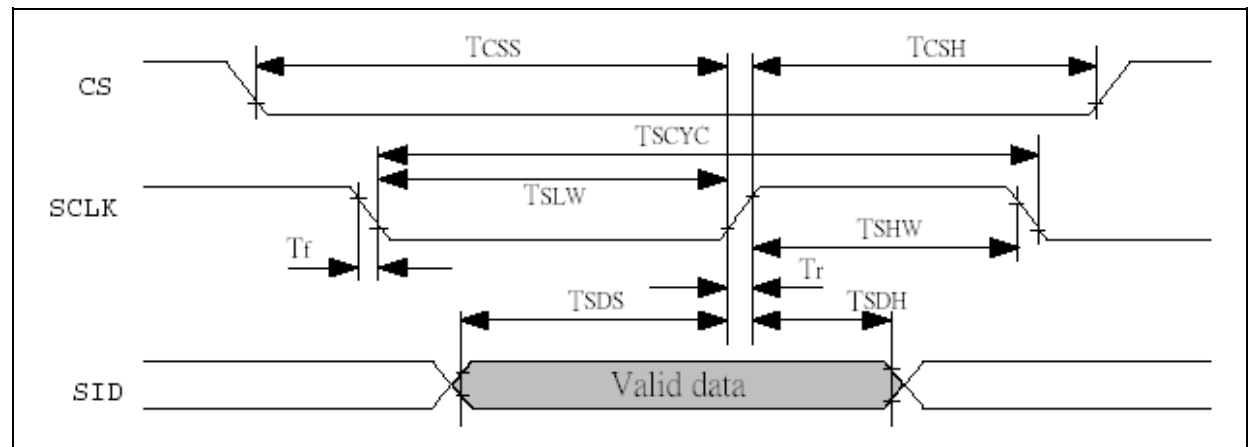


- MPU read data from ST7920



Serial interface timing diagram

- MPU write data to ST7920



Absolute Maximum Ratings

| Characteristics | Symbol | Value |
|-----------------------|------------------|--------------------------------|
| Power Supply Voltage | V _{DD} | -0.3V to +5.5V |
| LCD Driver Voltage | V _{LCD} | -0.3V to +7.0V |
| Input Voltage | V _{IN} | -0.3V to V _{DD} +0.3V |
| Operating Temperature | T _A | -20°C to +85°C |
| Storage Temperature | T _{STO} | -55°C to +125°C |

DC Characteristics (T_A=25°C, V_{DD}=2.7V – 4.5V)

| Symbol | Characteristics | Test Condition | Min. | Typ. | Max. | Unit |
|-------------------|---|---|---------------------|------|------------------------|------|
| V _{DD} | Operating Voltage | — | 2.7 | — | 5.5 | V |
| V _{LCD} | LCD Voltage | V _O – V _{SS} | 3.0 | — | 7 | V |
| I _{CC} | Power Supply Current | f _{OSC} = 530KHz, V _{DD} = 3.0V R _f = 18 kΩ | — | 0.20 | 0.45 | mA |
| V _{IH1} | Input High Voltage (Except OSC1) | — | 0.7 V _{DD} | — | V _{DD} | V |
| V _{IL1} | Input Low Voltage (Except OSC1) | — | -0.3 | — | 0.6 | V |
| V _{IH2} | Input High Voltage (OSC1) | — | V _{DD} -1 | — | V _{DD} | V |
| V _{IL2} | Input Low Voltage (OSC1) | — | — | — | 1.0 | V |
| V _{OH1} | Output High Voltage (DB0 – DB7) | I _{OH} = -0.1 mA | 0.8V _{DD} | — | V _{DD} | V |
| V _{OL1} | Output Low Voltage (DB0 – DB7) | I _{OL} = 0.1 mA | — | — | 0.1 | V |
| V _{OH2} | Output High Voltage (Except DB0 – DB7) | I _{OH} = -0.04 mA | 0.8 V _{DD} | — | V _{DD} | V |
| V _{OL2} | Output Low Voltage (Except DB0 – DB7) | I _{OL} = 0.04 mA | — | — | 0.1 V _{DD} | V |
| I _{LEAK} | Input Leakage Current | V _{IN} = 0V TO V _{DD} | -1 | — | 1 | μA |
| I _{PUP} | Pull Up MOS Current | V _{DD} = 3V | 22 | 27 | 32 | μA |

DC Characteristics (TA = 25°C, VDD = 4.5 V – 5 V)

| Symbol | Characteristics | Test Condition | Min. | Typ. | Max. | Unit |
|-------------------|---|---|---------|------|------------|------|
| VDD | Operating Voltage | — | 4.5 | — | 5.5 | V |
| VLCD | LCD Voltage | V0 – VSS | 3.0 | — | 7 | V |
| Icc | Power Supply Current | fOSC = 540KHz, VDD = 5 V Rf = 33kΩ | — | 0.45 | 0.75 | mA |
| VIH1 | Input High Voltage (Except OSC1) | — | 0.7 VDD | — | VDD | V |
| VIL1 | Input Low Voltage (Except OSC1) | — | -0.3 | — | 0.6 | V |
| VIH2 | Input High Voltage (OSC1) | — | VDD-1 | — | VDD | V |
| VIL2 | Input Low Voltage (OSC1) | — | — | — | 1.0 | V |
| VOH1 | Output High Voltage (DB0 – DB7) | IOH = -0.1 mA | 0.8VDD | — | VDD | V |
| VOL1 | Output Low Voltage (DB0 – DB7) | IOL = 0.1 mA | — | — | 0.4 | V |
| VOH2 | Output High Voltage (Except DB0 – DB7) | IOH = -0.04 mA | 0.8 VDD | — | VDD | V |
| VOL2 | Output Low Voltage (Except DB0 – DB7) | IOL = 0.04 mA | — | — | 0.1 VDD | V |
| I _{LEAK} | Input Leakage Current | VIN = 0V TO VDD | -1 | — | 1 | μA |
| IPUP | Pull Up MOS Current | VDD = 5 V | 75 | 80 | 85 | μA |

AC Characteristics ($T_A = 25^\circ\text{C}$, $V_{DD} = 4.5\text{V}$) Parallel Mode Interface

| Symbol | Characteristics | Test Condition | Min. | Typ. | Max. | Unit |
|--------------------------|---|--|--------------|------|--------------|---------------|
| Internal Clock Operation | | | | | | |
| f_{osc} | LCD Voltage | $V_0 - V_{SS}$ | 3.0 | — | 7 | V |
| f_{EX} | Power Supply Current | $f_{osc} = 540\text{KHz}$, $V_{DD} = 5\text{V}$ $R_f = 33\text{k}\Omega$ | — | 0.45 | 0.75 | mA |
| V_{IH1} | Input High Voltage (Except OSC1) | — | $0.7 V_{DD}$ | — | V_{DD} | V |
| V_{IL1} | Input Low Voltage (Except OSC1) | — | -0.3 | — | 0.6 | V |
| V_{IH2} | Input High Voltage (OSC1) | — | $V_{DD}-1$ | — | V_{DD} | V |
| V_{IL2} | Input Low Voltage (OSC1) | — | — | — | 1.0 | V |
| V_{OH1} | Output High Voltage (DB0 – DB7) | $I_{OH} = -0.1\text{ mA}$ | $0.8 V_{DD}$ | — | V_{DD} | V |
| V_{OL1} | Output Low Voltage (DB0 – DB7) | $I_{OL} = 0.1\text{ mA}$ | — | — | 0.4 | V |
| V_{OH2} | Output High Voltage (Except DB0 – DB7) | $I_{OH} = -0.04\text{ mA}$ | $0.8 V_{DD}$ | — | V_{DD} | V |
| V_{OL2} | Output Low Voltage (Except DB0 – DB7) | $I_{OL} = 0.04\text{ mA}$ | — | — | $0.1 V_{DD}$ | V |
| I_{LEAK} | Input Leakage Current | $V_{IN} = 0\text{V TO } V_{DD}$ | -1 | — | 1 | μA |
| I_{PUP} | Pull Up MOS Current | $V_{DD} = 5\text{V}$ | 75 | 80 | 85 | μA |

AC Characteristics (TA = 25°C, VDD = 4.5V) Parallel Mode Interface

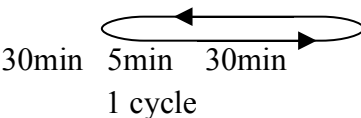
| Symbol | Characteristics | Test Condition | Min. | Typ. | Max. | Unit |
|--|-----------------------|-----------------|-------|------|------|------|
| Internal Clock Operation | | | | | | |
| fosc | OSC Frequency | R=33kΩ | 480 | 540 | 600 | KHz |
| External Clock Operation | | | | | | |
| fEX | External Frequency | — | 480 | 540 | 600 | KHz |
| | Duty Cycle | — | 45 | 50 | 55 | % |
| TR,TF | Rise/Fall Time | — | — | — | 0.2 | μS |
| Write Mode (Writing data from MPU to ST7920) | | | | | | |
| Tc | Enable Cycle Time | Pin E | 1200 | — | — | nS |
| TPW | Enable Pulse Width | Pin E | 140 | — | — | nS |
| TR,TF | Enable Rise/Fall Time | Pin E | — | — | 25 | nS |
| TAS | Address Setup Time | Pins : RS,RW,E | 10 | — | — | nS |
| TAH | Address Hold Time | Pins : RS,RW,E | 20 | — | — | nS |
| TDSW | Data Setup Time | Pins : DB0-DB7 | 40 | — | — | nS |
| TH | Data Hold Time | Pins : DB0-DB7 | 20 | | | nS |
| Read Mode (Reading Data from ST7920 to MPU) | | | | | | |
| Tc | Enable Cycle Time | Pin : E | 1200 | — | — | nS |
| TPW | Enable Pulse Width | Pin : E | 140 | — | — | nS |
| TR,TF | Enable Rise/Fall Time | Pin : E | — | — | 25 | nS |
| TAS | Address Setup Time | Pins : RS,RW,E | 10 | — | — | nS |
| TAH | Address Hold Time | Pins : RS,RW,E | 20 | — | — | nS |
| TDDR | Data Delay Time | Pins : DB0-DB7 | — | — | 100 | nS |
| TH | Data Hold Time | Pins : DB0-DB7 | 20 | — | — | nS |
| Interface Mode with LCD Driver (ST7921) | | | | | | |
| TCWH | Clock Pulse with High | Pins : CL1, CL2 | 800 | — | — | nS |
| TCWL | Clock Pulse With Low | Pins : CL1, CL2 | 800 | — | — | nS |
| TCST | Clock Setup time | Pins : CL1, CL2 | 500 | — | — | nS |
| TSU | Data Setup Time | Pin : D | 300 | — | — | nS |
| TDM | Data Hold Time | Pin : D | 300 | — | — | nS |
| TPW | Enable Pulse Width | Pin : M | -1000 | — | 1000 | nS |

AC Characteristics ($T_A = 25^{\circ}\text{C}$, $V_{DD} = 2.7\text{V}$) Parallel Mode Interface

| Symbol | Characteristics | Test Condition | Min. | Typ. | Max. | Unit |
|--|-----------------------|-----------------|-------|------|------|---------------|
| Internal Clock Operation | | | | | | |
| f _{osc} | OSC Frequency | R=18k Ω | 470 | 530 | 590 | KHz |
| External Clock Operation | | | | | | |
| f _{EX} | External Frequency | — | 470 | 530 | 590 | KHz |
| | Duty Cycle | — | 45 | 50 | 55 | % |
| T _R ,T _F | Rise/Fall Time | — | — | — | 0.2 | μS |
| Write Mode (Writing data from MPU to ST7920) | | | | | | |
| T _c | Enable Cycle Time | Pin E | 1800 | — | — | nS |
| T _{PW} | Enable Pulse Width | Pin E | 160 | — | — | nS |
| T _R ,T _F | Enable Rise/Fall Time | Pin E | — | — | 25 | nS |
| T _{AS} | Address Setup Time | Pins : RS,RW,E | 10 | — | — | nS |
| T _{AH} | Address Hold Time | Pins : RS,RW,E | 20 | — | — | nS |
| T _{DSW} | Data Setup Time | Pins : DB0-DB7 | 40 | — | — | nS |
| T _H | Data Hold Time | Pins : DB0-DB7 | 20 | | | nS |
| Read Mode (Reading Data from ST7920 to MPU) | | | | | | |
| T _c | Enable Cycle Time | Pin : E | 1800 | — | — | nS |
| T _{PW} | Enable Pulse Width | Pin : E | 320 | — | — | nS |
| T _R ,T _F | Enable Rise/Fall Time | Pin : E | — | — | 25 | nS |
| T _{AS} | Address Setup Time | Pins : RS,RW,E | 10 | — | — | nS |
| T _{AH} | Address Hold Time | Pins : RS,RW,E | 20 | — | — | nS |
| T _{DDR} | Data Delay Time | Pins : DB0-DB7 | — | — | 260 | nS |
| T _H | Data Hold Time | Pins : DB0-DB7 | 20 | — | — | nS |
| Interface Mode with LCD Driver (ST7921) | | | | | | |
| T _{CWH} | Clock Pulse with High | Pins : CL1, CL2 | 800 | — | — | nS |
| T _{CTL} | Clock Pulse With Low | Pins : CL1, CL2 | 800 | — | — | nS |
| T _{CST} | Clock Setup time | Pins : CL1, CL2 | 500 | — | — | nS |
| T _{SU} | Data Setup Time | Pin : D | 300 | — | — | nS |
| T _{DM} | Data Hold Time | Pin : D | 300 | — | — | nS |
| T _{PW} | Enable Pulse Width | Pin : M | -1000 | — | 1000 | nS |

12. Reliability

Content of Reliability Test (wide temperature, -20°C~70°C)

| Environmental Test | | | |
|---|--|---|--------|
| Test Item | Content of Test | Test Condition | Note |
| High Temperature storage | Endurance test applying the high storage temperature for a long time. | 80°C 200hrs | 2 |
| Low Temperature storage | Endurance test applying the high storage temperature for a long time. | -30°C 200hrs | 1,2 |
| High Temperature Operation | Endurance test applying the electric stress (Voltage & Current) and the thermal stress to the element for a long time. | 70°C 200hrs | — — |
| Low Temperature Operation | Endurance test applying the electric stress under low temperature for a long time. | -20°C 200hrs | 1 |
| High Temperature/ Humidity Operation | The module should be allowed to stand at 60°C,90%RH max For 96hrs under no-load condition excluding the polarizer, Then taking it out and drying it at normal temperature. | 60°C,90%RH 96hrs | 1,2 |
| Thermal shock resistance | The sample should be allowed stand the following 10 cycles of operation -20°C 25°C 70°C  30min 5min 30min 1 cycle | -20°C/70°C 10 cycles | — — |
| Vibration test | Endurance test applying the vibration during transportation and using. | Total fixed amplitude : 1.5mm Vibration Frequency : 10~55Hz One cycle 60 seconds to 3 directions of X,Y,Z for Each 15 minutes | 3 |
| Static electricity test | Endurance test applying the electric stress to the terminal. | VS=800V,RS=1.5kΩ CS=100pF 1 time | — — |

Note1: No dew condensation to be observed.

Note2: The function test shall be conducted after 4 hours storage at the normal Temperature and humidity after remove from the test chamber.

Note3: Vibration test will be conducted to the product itself without putting it in a container.

13. Backlight Information

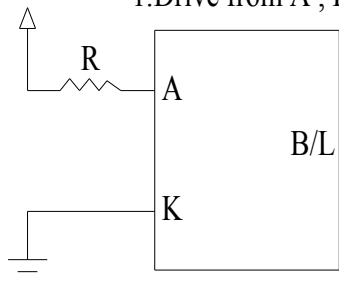
Specification

| PARAMETER | SYMBOL | MIN | TYP | MAX | UNIT | TEST CONDITION |
|--------------------|------------------|-----|-------|-----|-------------------|-------------------------|
| Supply Current | I _{LED} | 32 | 40 | 60 | mA | V=3.5V |
| Supply Voltage | V | 3.4 | 3.5 | 3.6 | V | — |
| Reverse Voltage | V _R | — | — | 10 | V | — |
| Luminous Intensity | I _V | 150 | 187.5 | — | cd/m ² | I _{LED} =40mA |
| Wave Length | λ _p | — | 571 | — | nm | I _{LED} =40mA |
| Life Time | — | — | 10K | — | Hr. | I _{LED} ≤ 40mA |
| Color | White | | | | | |

Note: The LED of B/L is drive by current only, drive voltage is for reference only. drive voltage can make driving current under safety area (current between minimum and maximum).

LED B\L Drive Method

1. Drive from A , K



14. Material List of Components for RoHS

1. Crystalfontz America, Inc. hereby declares that all of or part of products (with the mark “#” in code), including, but not limited to, the LCM, accessories or packages, manufactured and/or delivered to your company (including your subsidiaries and affiliated company) directly or indirectly by our company (including our subsidiaries or affiliated companies) do not intentionally contain any of the substances listed in all applicable EU directives and regulations, including the following substances.

Exhibit A: The Harmful Material List

| Material | (Cd) | (Pb) | (Hg) | (Cr6+) | PBBs | PBDEs |
|--|------------|-------------|-------------|-------------|-------------|-------------|
| Limited Value | 100 ppm | 1000 ppm | 1000 ppm | 1000 ppm | 1000 ppm | 1000 ppm |
| Above limited value is set up according to RoHS. | | | | | | |

2. Process for RoHS requirement:

(1) Use the Sn/Ag/Cu soldering surface ; the surface of Pb-free solder is rougher than we used before.

(2) Heat-resistance temp.

Reflow: 250°C, 30 seconds Max.

Connector soldering wave or hand soldering: 320°C, 10 seconds max.

(3) Temp. curve of reflow, max. Temp.: 235±5°C

Recommended customer's soldering temp. of connector: 280°C, 3 seconds.