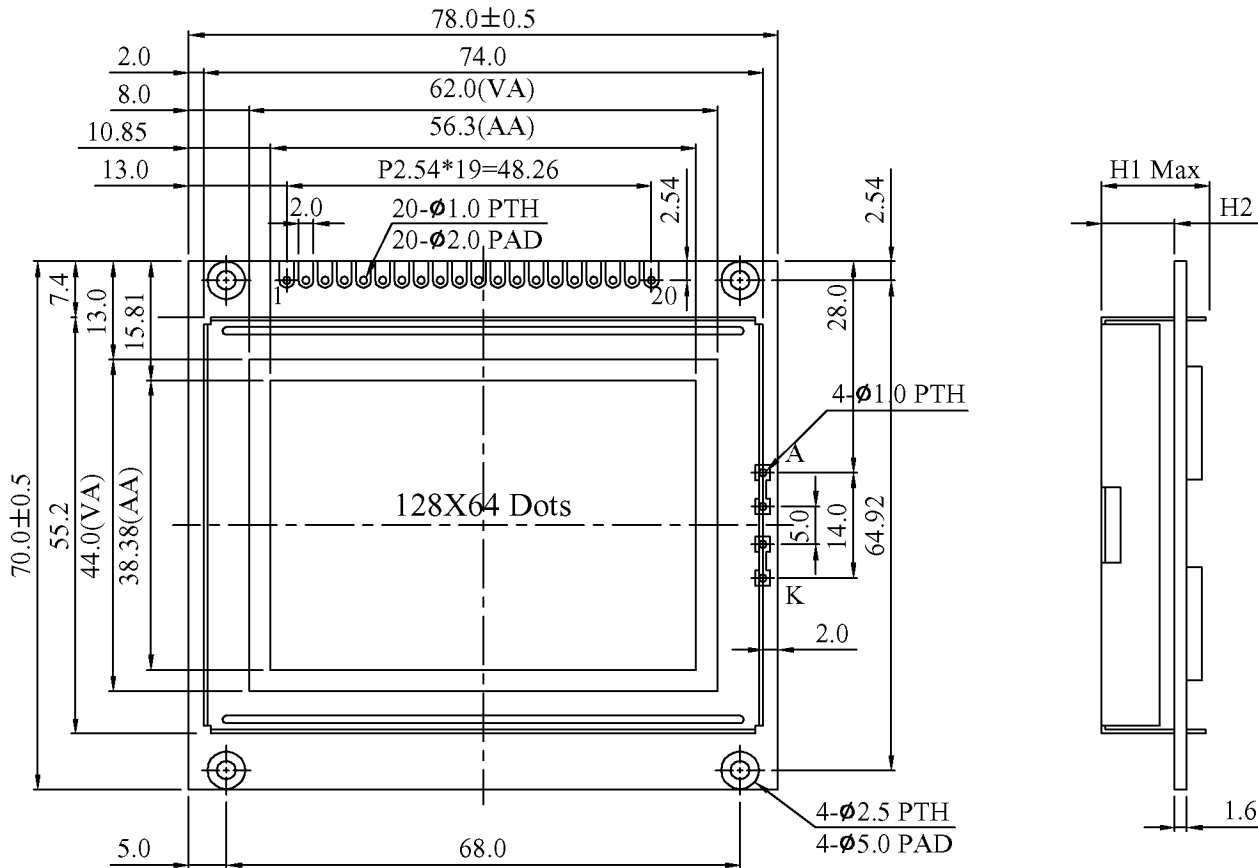


Crystalfontz CFAG12864D Series Millimeter Dimensions



The non-specified tolerance of dimension is $\pm 0.3\text{mm}$.

LED-H/L B/L

	High	Low
H1	14.3	12.1
H2	9.7	7.5