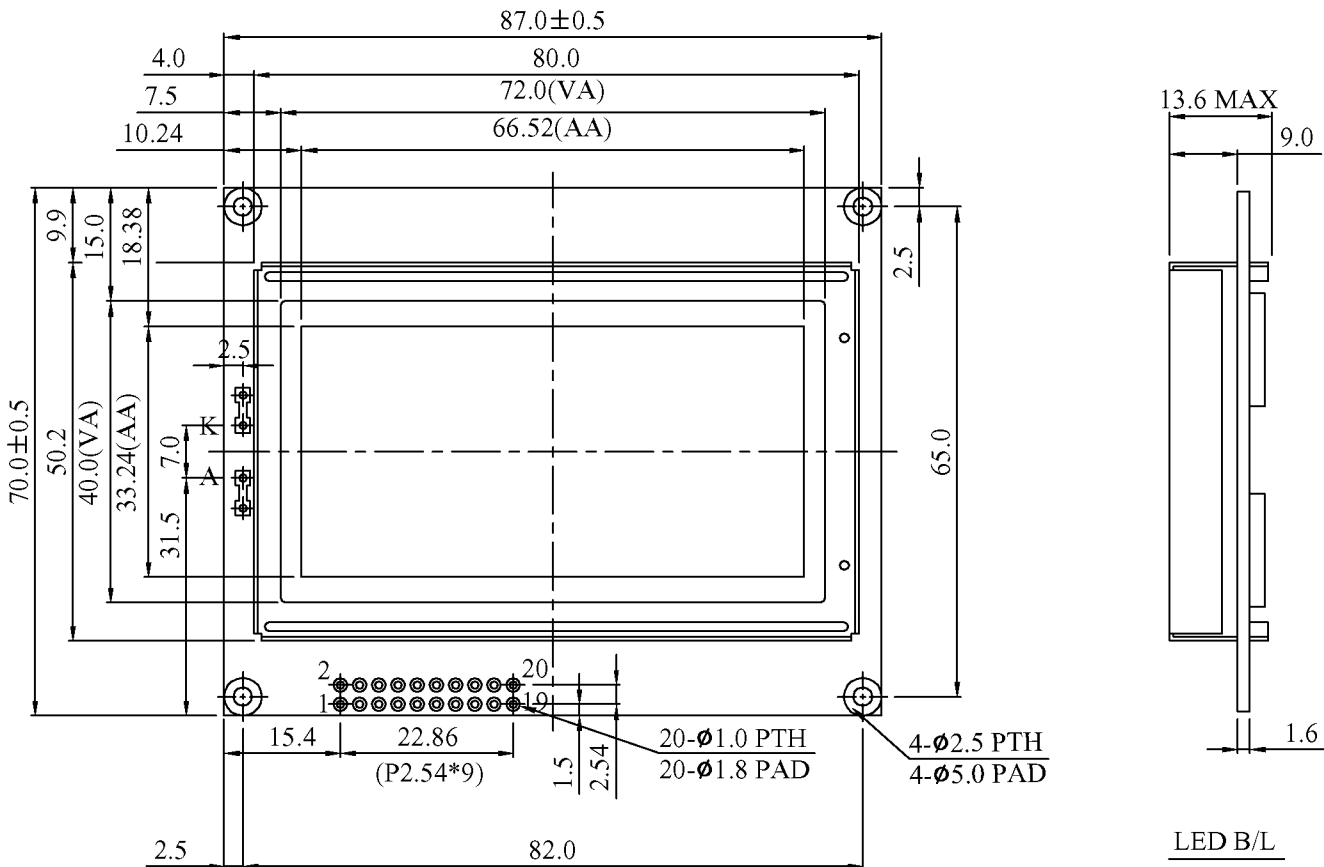


CFAG12864F-Yxx Series Millimeter Dimensions



The non-specified tolerance of dimension is ± 0.3 mm.