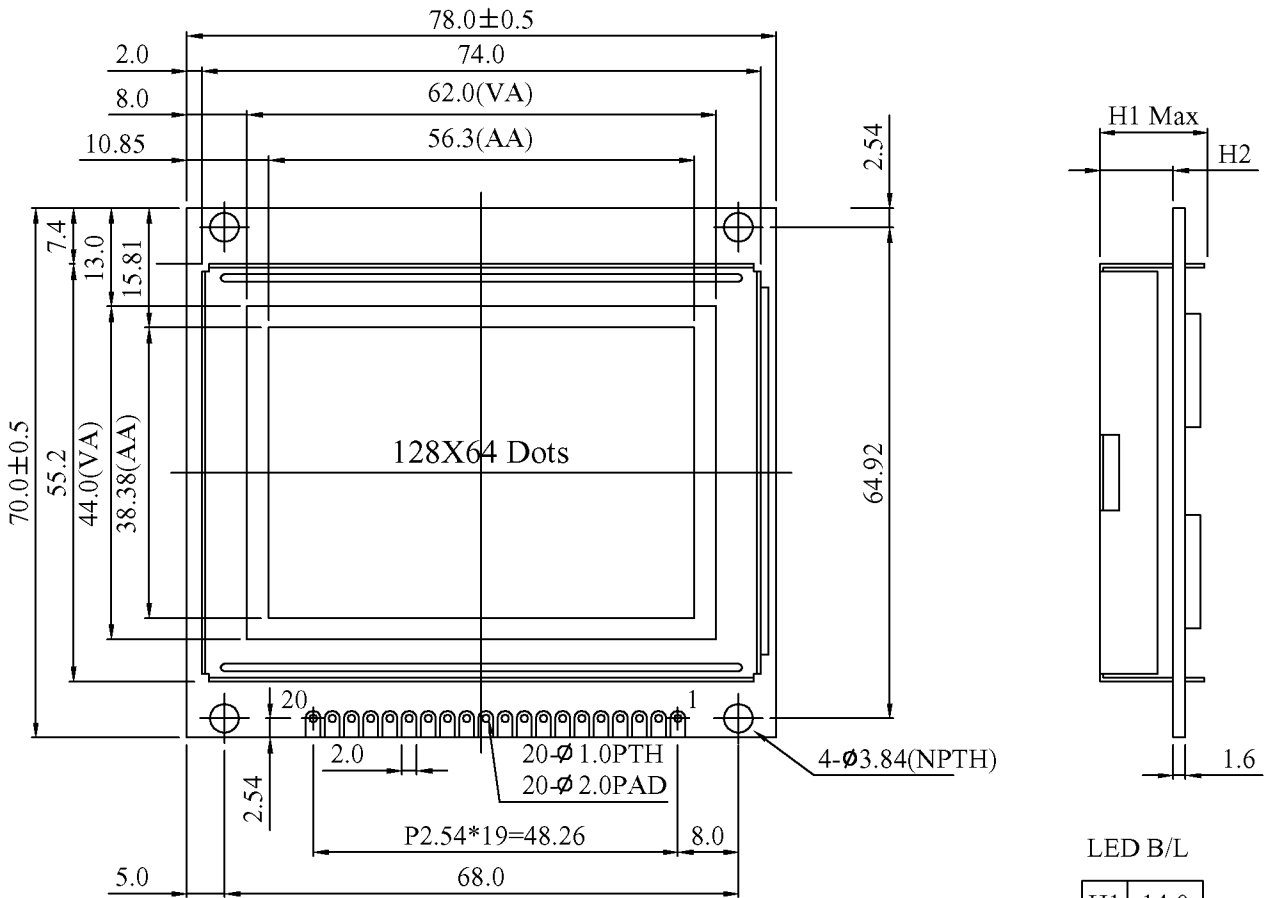


CFAG12864G-STI Series Millimeter Dimensions



The non-specified tolerance of dimension is ± 0.3 mm .

LED B/L

H1	14.0
H2	9.6