

Crystalfontz America, Inc.

CUSTOMER		
MODEL	CFAX12864AP1-TFH	
APPROVAL	BY:	DATA:

SALES BY	APPROVED BY	CHECKED BY	PREPARED BY
ISSUED DATE:			

Crystalfontz America, Inc.

12412 East Saltese Avenue
Spokane Valley, WA 99216-0357

Phone: (888) 206-9720

Fax: (509) 892-1203

Email: techinfo@crystalfontz.com

URL: www.crystalfontz.com

Contents

- 1.Module Classification Information
- 2.Precautions in use of LCD Modules
- 3.General Specification
- 4.Absolute Maximum Ratings
- 5.Electrical Characteristics
- 6.Optical Characteristics
- 7.Interface Description
- 8.Contour Drawing & Block Diagram
- 9.Display Control Instruction
- 10.Backlight Information

1.Module Classification Information

CFA X 1 2 8 6 4 AP1 - T F H

① ② ③ ④⑧ ⑤⑥⑦

①	Brand : CRYSTALFONTZ AMERICA, INCORPORATED													
②	Display Type : H→Character Type, G→Graphic Type, X→TAB Type													
③	Display's logical dimensions: 128 pixels by 64 pixels													
④	Model serials no.: A													
⑤	Backlight Type :	<table border="0"> <tr> <td>N→Without backlight</td> <td>P→LED, Bule</td> </tr> <tr> <td>B→EL, Blue green</td> <td>A→LED, Amber</td> </tr> <tr> <td>D→EL, Green</td> <td>R→LED, Red</td> </tr> <tr> <td>W→EL, White</td> <td>O→LED, Orange</td> </tr> <tr> <td>F→CCFL, White</td> <td>G→LED, Green</td> </tr> <tr> <td>Y→LED, Yellow Green</td> <td>T→LED, White</td> </tr> </table>	N→Without backlight	P→LED, Bule	B→EL, Blue green	A→LED, Amber	D→EL, Green	R→LED, Red	W→EL, White	O→LED, Orange	F→CCFL, White	G→LED, Green	Y→LED, Yellow Green	T→LED, White
N→Without backlight	P→LED, Bule													
B→EL, Blue green	A→LED, Amber													
D→EL, Green	R→LED, Red													
W→EL, White	O→LED, Orange													
F→CCFL, White	G→LED, Green													
Y→LED, Yellow Green	T→LED, White													
⑥	LCD Mode :	<table border="0"> <tr> <td>B→TN Positive, Gray</td> <td>T→FSTN Negative</td> </tr> <tr> <td>N→TN Negative,</td> <td></td> </tr> <tr> <td>G→STN Positive, Gray</td> <td></td> </tr> <tr> <td>Y→STN Positive, Yellow Green</td> <td></td> </tr> <tr> <td>M→STN Negative, Blue</td> <td></td> </tr> <tr> <td>F→FSTN Positive</td> <td></td> </tr> </table>	B→TN Positive, Gray	T→FSTN Negative	N→TN Negative,		G→STN Positive, Gray		Y→STN Positive, Yellow Green		M→STN Negative, Blue		F→FSTN Positive	
B→TN Positive, Gray	T→FSTN Negative													
N→TN Negative,														
G→STN Positive, Gray														
Y→STN Positive, Yellow Green														
M→STN Negative, Blue														
F→FSTN Positive														
⑦	LCD Polarizer Type/ Temperature range/ View direction	<table border="0"> <tr> <td>A→Reflective, N.T, 6:00</td> <td>H→Transflective, W.T,6:00</td> </tr> <tr> <td>D→Reflective, N.T, 12:00</td> <td>K→Transflective, W.T,12:00</td> </tr> <tr> <td>G→Reflective, W. T, 6:00</td> <td>C→Transmissive, N.T,6:00</td> </tr> <tr> <td>J→Reflective, W. T, 12:00</td> <td>F→Transmissive, N.T,12:00</td> </tr> <tr> <td>B→Transflective, N.T,6:00</td> <td>I→Transmissive, W. T, 6:00</td> </tr> <tr> <td>E→Transflective, N.T,12:00</td> <td>L→Transmissive, W.T,12:00</td> </tr> </table>	A→Reflective, N.T, 6:00	H→Transflective, W.T,6:00	D→Reflective, N.T, 12:00	K→Transflective, W.T,12:00	G→Reflective, W. T, 6:00	C→Transmissive, N.T,6:00	J→Reflective, W. T, 12:00	F→Transmissive, N.T,12:00	B→Transflective, N.T,6:00	I→Transmissive, W. T, 6:00	E→Transflective, N.T,12:00	L→Transmissive, W.T,12:00
A→Reflective, N.T, 6:00	H→Transflective, W.T,6:00													
D→Reflective, N.T, 12:00	K→Transflective, W.T,12:00													
G→Reflective, W. T, 6:00	C→Transmissive, N.T,6:00													
J→Reflective, W. T, 12:00	F→Transmissive, N.T,12:00													
B→Transflective, N.T,6:00	I→Transmissive, W. T, 6:00													
E→Transflective, N.T,12:00	L→Transmissive, W.T,12:00													
⑧	Special Code	P1/P : "A" module with ZIF tail												

2.Precautions in use of LCD Modules

- (1) Avoid applying excessive shocks to the module or making any alterations or modifications to it.
- (2) Don't make extra holes on the printed circuit board, modify its shape or change the components of LCD module.
- (3) Don't disassemble the LCM.
- (4) Don't operate it above the absolute maximum rating.
- (5) Don't drop, bend or twist LCM.
- (6) Soldering: only to the I/O terminals.
- (7) Storage: please storage in anti-static electricity container and clean environment.

3.General Specification

Item	Dimension	Unit
Number of Characters	128 x 64	-
Module dimension	66.1 x 34.0 x 1.9(MAX)	mm
View area	29.58x 17.98	mm
Active area	25.58x15.98	mm
Dot size	0.18 x 0.23	mm
Dot pitch	0.2 x 0.25	mm
LCD type	FSTN, Positive, Transflective,	
Duty	1/64	
View direction	6 o'clock	
Backlight Type	LED White	

4. Absolute Maximum Ratings

Item	Symbol	Min	Typ	Max	Unit
Operating Temperature	T_{OP}	-20	-	+70	°C
Storage Temperature	T_{ST}	-30	-	+80	°C
Input Voltage	V_I	V_{SS}	-	V_{DD}	V
Supply Voltage For Logic	$V_{DD}-V_{SS}$	2.4	-	3.6	V
Supply Voltage For LCD	V_O-V_{SS}	4.0	-	15.0	V

5. Electrical Characteristics

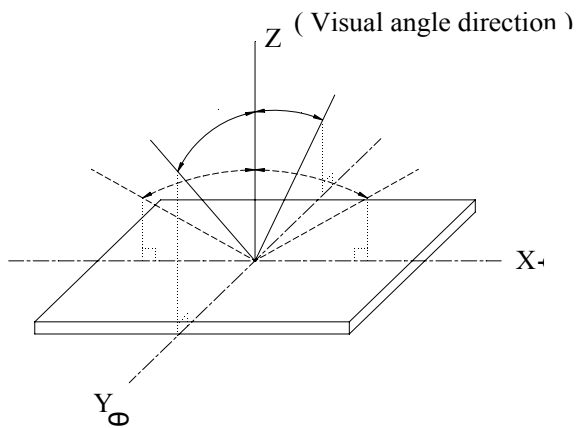
Item	Symbol	Condition	Min	Typ	Max	Unit
Supply Voltage For Logic	$V_{DD}-V_{SS}$	-	2.4	-	3.6	V
Supply Voltage For LCD	$V_{DD}-V_0$	Ta=-20°C	-	-	9.2	V
		Ta=25°C	-	-	-	V
		Ta=+70°C	-	8.2	-	V
			7.2	-	-	
Input High Volt.	V_{IH}	-	$0.8 V_{DD}$	-	V_{DD}	V
Input Low Volt.	V_{IL}	-	-	-	$0.2 V_{DD}$	V
Output High Volt.	V_{OH}	-	$V_{DD} - 0.4$	-	-	V
Output Low Volt.	V_{OL}	-	-	-	0.4	V
Supply Current	I_{DD}	$V_{DD}=5V$	-	0.2	1.0	mA

6. Optical Characteristics

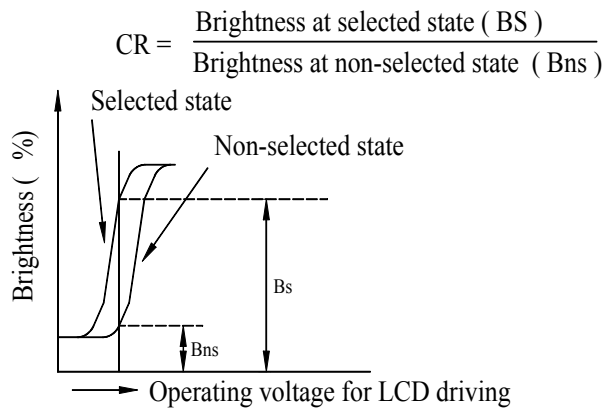
Item	Symbol	Condition	Min	Typ	Max	Unit
View Angle	(V) θ	$CR \geq 5$	30	-	60	deg
	(H) ϕ	$CR \geq 5$	-45	-	45	deg
Contrast Ratio	CR	-	-	5	-	-
Response Time	T rise	-	-	110	220	ms
	T fall	-	-	260	520	ms

6.1 Definitions

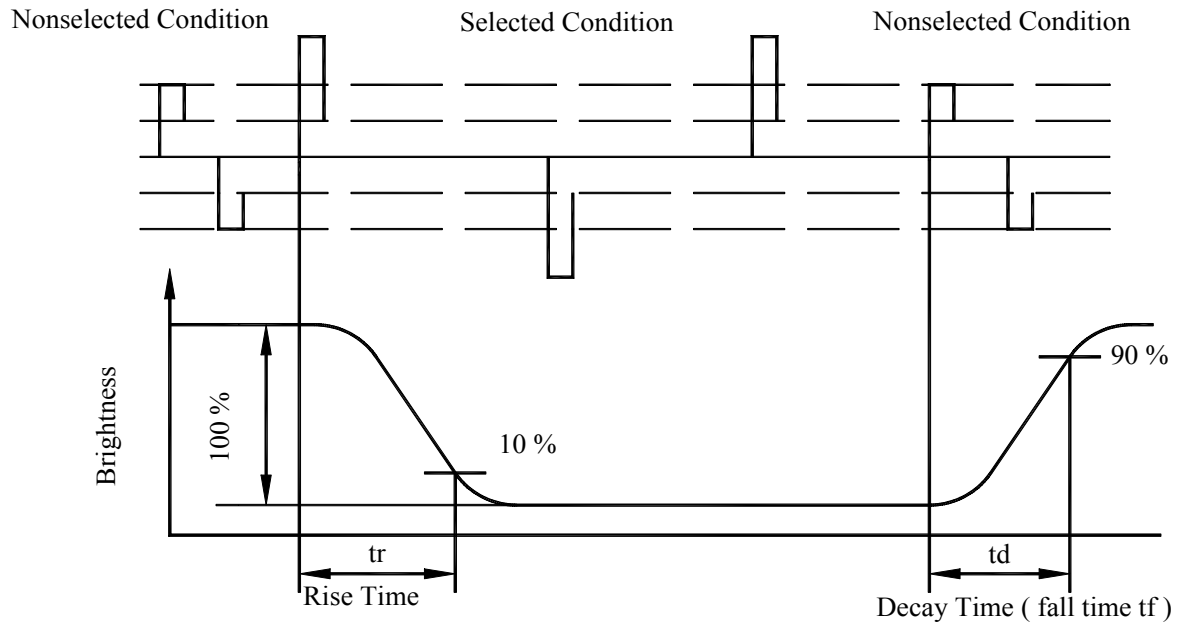
■ View Angles



■ Contrast Ratio



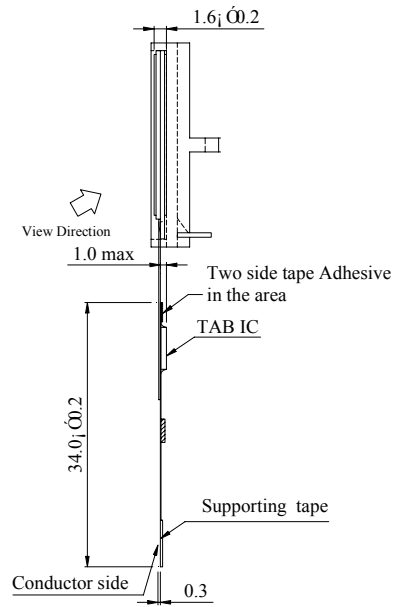
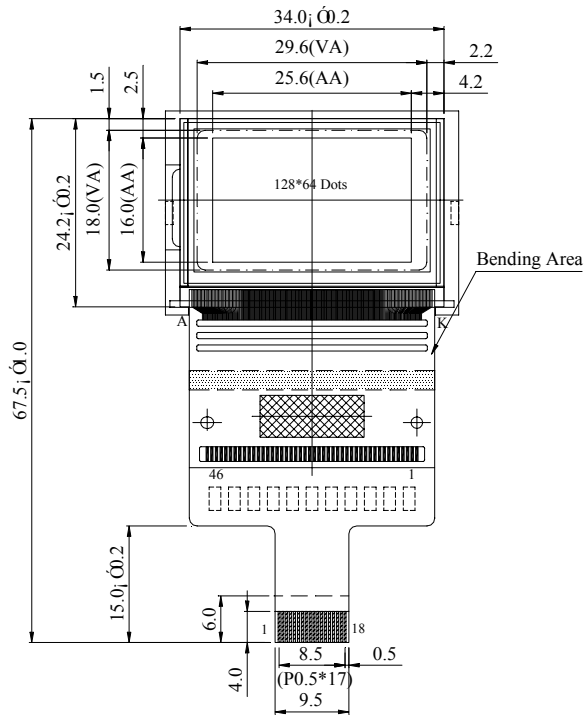
■ Response Time



7. Interface Description

Pin No.	Symbol	I/O	Description
1	VDD	-	Power supply pin for logic.
2	VSS	-	Ground pin, connected to 0V
3	CS1B	I	Chip select input pins Data/instruction i/o is enabled only when CS1B is "L" and CS2 "H". When chip select is non-active, DB0 TO DB7 may be high impedance.
4	CS2	I	Chip select input pins Data/instruction i/o is enabled only when CS1B is "L" and CS2 "H". When chip select is non-active, DB0 TO DB7 may be high impedance.
5	RES	I	Reset input pin When RESETB is "L", initialization is executed.
6	RS	I	Register select input pin -RS = "H": DB0 to DB7 are display data -RS = "L": DB0 to DB7 are control data
7	R/W	I	When connected to 80-family MPU: Write enable clock input pin. The data ON DB0~DB7 are latched at the rising edge of the /WR signal. When connected to 68-family MPU: RW = "H": read RW = "L": write
8	E	I	When connected to 80-family MPU: Read enable clock input pin. When /RD is "L", DB0~DB7 are in an output status When connected to 68-family MPU: RW = "H": When E is "H", DB0~DB7 are in an output status RW = "L": The data on DB0~DB7 are latched at the falling edge of the E signal
9~16	DB0~DB7	I/O	8-bit bi-directional data bus that is connected to the standard 8-bit microprocessor data bus. When the serial interface selected (PS="L") DB0~DB5: high impedance DB6: serial input clock (SCLK) DB7: serial input data (SID) When chip select is not active, DB0~DB7 may be high impedance.
17	MI	I	Microprocessor interface selects pin. MI="H": 6800-series MPU interface MI="L": 8080-series MPU interface
18	PS	I	Parallel/Serial data input select pin. Interface Data Read/Write Serial clock PS="H": Parallel DB0~DB7 E_RD, RW_WR - PS="L": Serial SID(DB7) Write only SCLK(DB6) In serial mode, it is impossible to read data from the on-chip RAM. And DB0 to DB5 are high impedance and E_RD and RW_WR must be fixed to either "H" or "L".

8. Contour Drawing & Block Diagram



PIN NO.	SYMBOL
1	VCC
2	GND
3	CS1B
4	CS2
5	RESET
6	RS
7	R/W
8	ERD
9	DB0
10	DB1
11	DB2
12	DB3
13	DB4
14	DB5
15	DB6/SCLK
16	DB7/SID
17	MI
18	P/S

The non-specified tolerance of dimension is ± 0.15 mm .

9. Display Control Instruction

PLEASE CONSULT THE KS0713 DATA SHEET

10. Backlight Information

Specification

PARAMETER	SYMBOL	MIN	TYP	MAX	UNIT	TEST CONDITION
Supply Current	I _{LED}	—	40		mA	V=3.1V
Supply Voltage	V	-	3.1	3.3	V	-
Reverse Voltage	V _R	-	-	5	V	-
Luminous Intensity	I _V	60		-	CD/M ²	I _{LED} =40mA
Wave Length	λ _p	—		-	nm	I _{LED} =40mA
Life Time	-	-	10000	-	Hr.	V≤3.1V
Color	White					