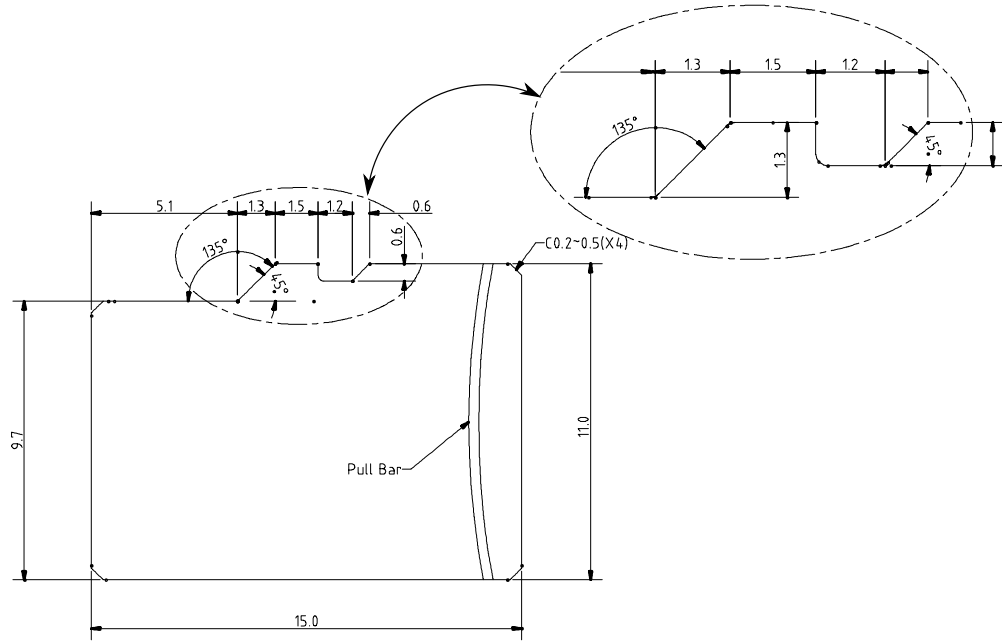
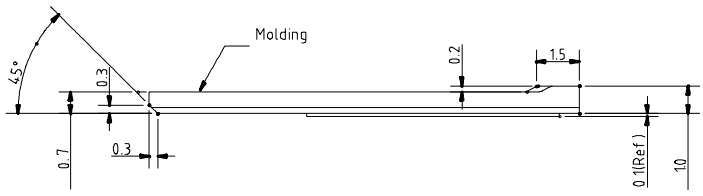


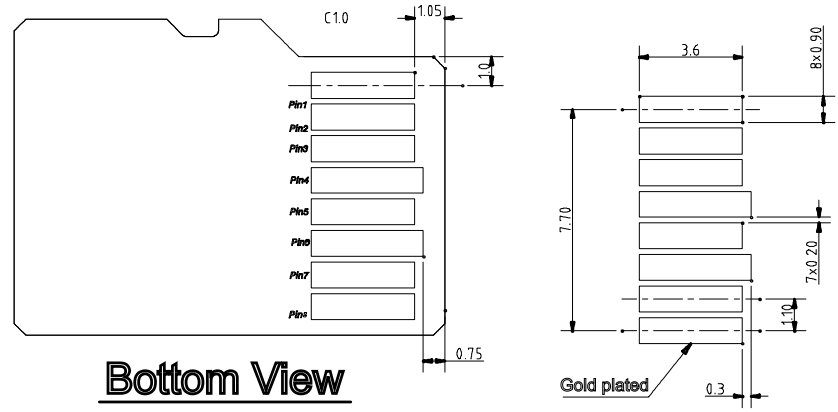
+ / - 0.1



**Top View**



**Technical Details:**  
**MicroSD Card**  
**4GB**  
**SDHC**



**Bottom View**

XX = ±0.1  
 X.XX = ±0.05  
 X.XXX = ±0.025