



SSD1339

Advance Information

**132RGB x 132 with 2 smart Icon lines Dot Matrix
OLED/PLED Segment/Common Driver with Controller**

This document contains information on a new product. Specifications and information herein are subject to change without notice.

<http://www.solomon-systech.com>

SSD1339

Rev 1.1

P 1/59

Jul 2005

Copyright © 2005 Solomon Systech Limited



TABLE OF CONTENTS

1. GERENAL DESCRIPTION	5
2. FEATURES	5
3. ORDERING INFORMATION	6
4. BLOCK DIAGRAM	7
5. DIE PAD FLOOR PLAN	8
6. PIN DESCRIPTION	15
7. FUNCTIONAL BLOCK DISCRIPTIONS	19
OSCILLATOR CIRCUIT AND DISPLAY TIME GENERATOR.....	19
RESET CIRCUIT.....	19
COMMAND DECODER AND COMMAND INTERFACE.....	20
MPU PARALLEL 6800-SERIES INTERFACE.....	20
MPU PARALLEL 8080-SERIES INTERFACE.....	20
MPU SERIAL INTERFACE	21
GRAPHIC DISPLAY DATA RAM (GDDRAM)	22
GRAY SCALE AND GRAY SCALE TABLE	26
CURRENT CONTROL AND VOLTAGE CONTROL.....	27
SEGMENT DRIVERS/COMMON DRIVERS	27
DC-DC VOLTAGE CONVERTER.....	28
8. COMMAND TABLE	29
9. COMMAND DESCRIPTIONS	34
10. MAXIMUM RATINGS	47
11. DC CHARACTERISTICS	48
12. AC CHARACTERISTICS	49
13. APPLICATION EXAMPLE	53
14. PACKAGE INFORMATION	54
SSD1339U3 PIN ASSIGNMENT.....	54
SSD1339U3 COF DETAILS DIMENSIONS.....	56

TABLE OF FIGURES

FIGURE 1 – BLOCK DIAGRAM	7
FIGURE 2 – SSD1339Z PIN ASSIGNMENT	8
FIGURE 3 – SSD1339Z ALIGNMENT MARK DIMENSIONS	13
FIGURE 4 – DIE TRAY INFORMATION	14
FIGURE 5 – OSCILLATOR CIRCUIT	19
FIGURE 6 – DISPLAY DATA READ BACK PROCEDURE - INSERTION OF DUMMY READ.....	20
FIGURE 7 – DISPLAY DATA WRITE PROCEDURE IN SPI MODE	21
FIGURE 8 – GRAPHIC DISPLAY DATA RAM STRUCTURE	22
FIGURE 9 – 262K COLOR DEPTH DATA WRITING SEQUENCE IN 18-BIT MCU INTERFACE	22
FIGURE 10 – 262K COLOR DEPTH DATA WRITING SEQUENCE IN 16-BIT MCU INTERFACE IN OPTION 1	23
FIGURE 11 – 262K COLOR DEPTH DATA WRITING SEQUENCE IN 16-BIT MCU INTERFACE IN OPTION 2	23
FIGURE 12 – 262K COLOR DEPTH GRAPHIC DISPLAY DATA WRITING SEQUENCE IN 9-BIT MCU INTERFACE	23
FIGURE 13 – 262K COLOR DEPTH GRAPHIC DISPLAY DATA WRITING SEQUENCE IN 8-BIT MCU INTERFACE	23
FIGURE 14 – 65K COLOR DEPTH GRAPHIC DISPLAY DATA WRITING SEQUENCE IN 16-BIT MCU INTERFACE	23
FIGURE 15 – 65K COLOR DEPTH GRAPHIC DISPLAY DATA WRITING SEQUENCE IN 8-BIT MCU INTERFACE	24
FIGURE 16 – DISPLAY DATA RAM WRITING POSITION FOR COLOR A, B AND C DATA INPUT IN 65K COLOR MODE.....	24
FIGURE 17 – DISPLAY DATA RAM WRITING POSITION FOR COLOR A, B AND C DATA INPUT IN 256 COLOR MODE	25
FIGURE 18 – RELATION BETWEEN GRAPHIC DATA RAM VALUE AND GRAY SCALE TABLE ENTRY FOR THREE COLORS 26	26
FIGURE 19 – ILLUSTRATION OF RELATION BETWEEN GRAPHIC DISPLAY RAM VALUE AND GRAY SCALE CONTROL	27
FIGURE 20 – EXAMPLE OF COLUMN AND ROW ADDRESS POINTER MOVEMENT	34
FIGURE 21 – ADDRESS POINTER MOVEMENT OF HORIZONTAL ADDRESS INCREMENT MODE	35
FIGURE 22 – ADDRESS POINTER MOVEMENT OF VERTICAL ADDRESS INCREMENT MODE	35
FIGURE 23 – EXAMPLE OF SET DISPLAY START LINE WITH NO REMAP	37
FIGURE 24 – EXAMPLE OF SET DISPLAY OFFSET WITH NO REMAP	37
FIGURE 25 – EXAMPLE OF GAMMA CORRECTION BY GRAY SCALE TABLE SETTING.....	39
FIGURE 26 – SEGMENT OUTPUT CURRENT FOR DIFFERENT CONTRAST CONTROL AND MASTER CURRENT SETTING.....	41
FIGURE 27 – EXAMPLE OF DRAW LINE COMMAND.....	42
FIGURE 28 – EXAMPLE OF DRAW RECTANGLE COMMAND	42
FIGURE 29 – EXAMPLE OF DRAW CIRCLE COMMAND.....	43
FIGURE 30 – EXAMPLE OF COPY COMMAND	44
FIGURE 31 – EXAMPLE OF COPY + CLEAR = MOVE COMMAND.....	45
FIGURE 32 – 6800-SERIES MPU PARALLEL INTERFACE CHARACTERISTICS	50
FIGURE 33 – 8080-SERIES MPU PARALLEL INTERFACE CHARACTERISTICS	51
FIGURE 34 – SERIAL INTERFACE CHARACTERISTICS.....	52
FIGURE 35 – APPLICATION EXAMPLE FOR 8-BIT 6800-PARALLEL INTERFACE MODE	53
FIGURE 36 - SSD1339U3 PIN ASSIGNMENT.....	54
FIGURE 37 - SSD1339U3 DETAIL DIMENSIONS	56

LIST OF TABLES

TABLE 1 – ORDERING INFORMATION	6
TABLE 2 – SSD1339Z DIE PAD COORDINATES.....	9
TABLE 3 – COMMAND TABLE	29
TABLE 4 – GRAPHIC ACCELERATION COMMAND	32
TABLE 5 – RESULT OF CHANGE OF BRIGHTNESS BY DIM WINDOW COMMAND	44
TABLE 6 – MAXIMUM RATINGS.....	47
TABLE 7 – DC CHARACTERISTICS	48
TABLE 8 – AC CHARACTERISTICS	49
TABLE 9 – 6800-SERIES MPU PARALLEL INTERFACE TIMING CHARACTERISTICS.....	50
TABLE 10 – 8080-SERIES MPU PARALLEL INTERFACE TIMING CHARACTERISTICS	51
TABLE 11 – SERIAL INTERFACE TIMING CHARACTERISTICS	52
TABLE 12 - SSD1339U3 PIN ASSIGNMENT.....	55

1. GERENAL DESCRIPTION

The SSD1339 is a single-chip CMOS OLED/PLED driver with controller for organic/polymer light emitting diode dot-matrix graphic display system. It consists of 396 segments (132RGB), 132 commons and 2 smart icon lines. This IC is designed for Common Cathode type OLED panel.

The SSD1339 displays data directly from its internal 132x133x18 bits Graphic Data RAM (GDDRAM). Data/Commands are sent from general MCU through the hardware selectable 6800/8000 series compatible Parallel Interface or Serial Peripheral Interface. It has a 256 steps contrast control and 262k color control

2. FEATURES

- Support max. 132RGB x 132 matrix panel + icon line
- Power supply: VDD=2.4-3.5V
VDDIO=1.5V - 3.5V
VCC=7.0V - 18.0V
- OLED driving output voltage, 16V maximum
- DC-DC voltage booster controller
- Segment maximum source current: 200uA
- Common maximum sink current: 80mA
- Embedded 132x133x18 bit SRAM display buffer
- 16 step master current control, and 256 step current control for the three color components
- Smart Icon mode
- Programmable color mode of 256, 65k, 262k
- Programmable Frame Rate
- Graphic Acceleration Command Set (GAC)
- 8/9/16/18-bit 6800-series Parallel Interface, 8/9/16/18-bit 8080-series Parallel Interface and Serial Peripheral Interface.
- Wide range of operating temperature: -40 to 90 °C

3. ORDERING INFORMATION

Table 1 – Ordering Information

Ordering Part Number	SEG	COM	Package Form	Reference	Remark
SSD1339Z	132RGB	132	COG	Page 8	<ul style="list-style-type: none">• Min SEG pad pitch: 41.2 μm• Min COM pad pitch: 41.2 μm
SSD1339U3	128RGB	128	COF	Page 54	Punched COF

4. BLOCK DIAGRAM

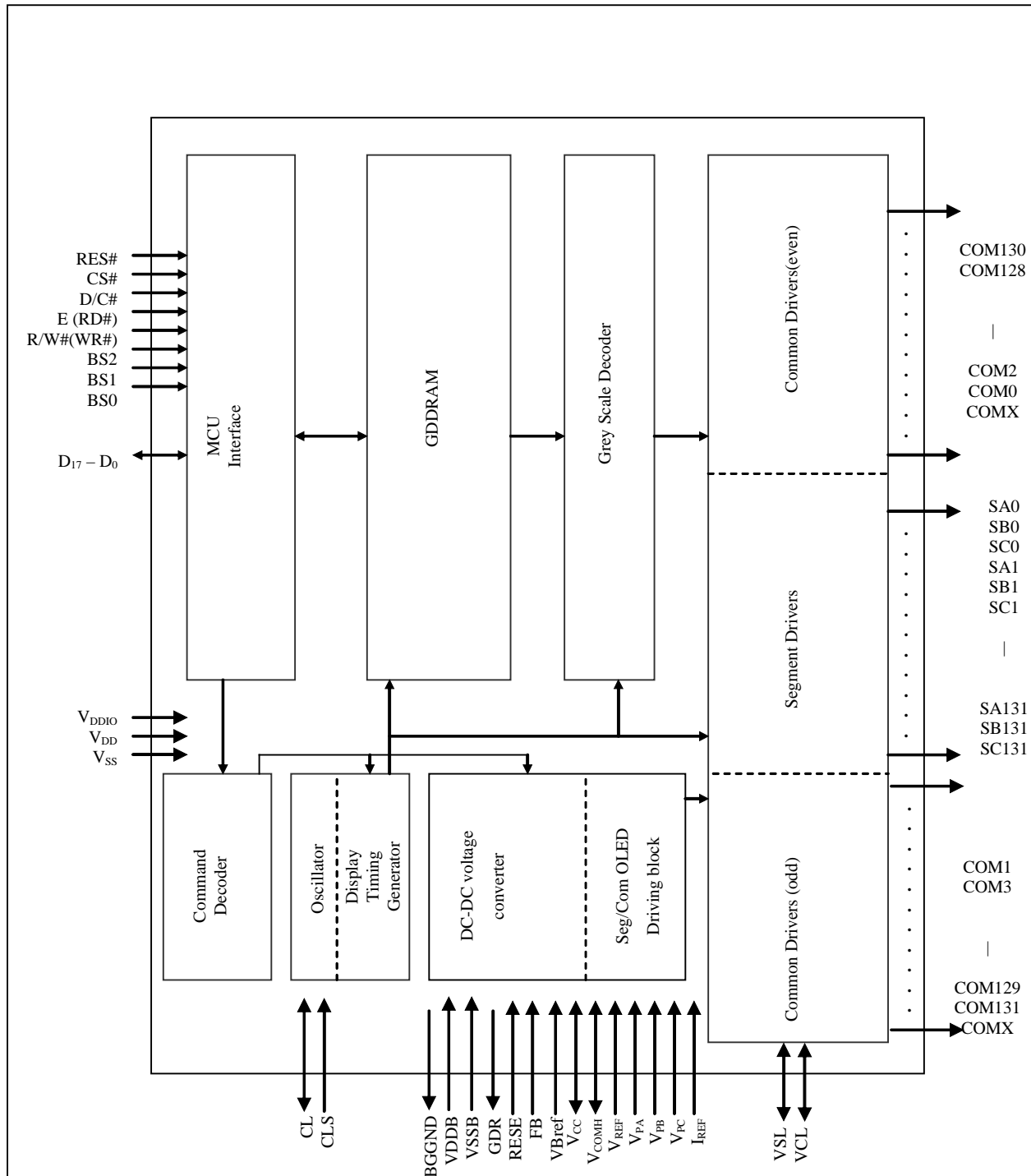
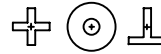
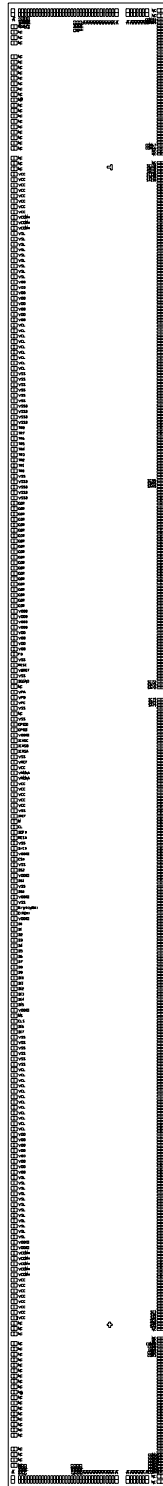



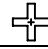

Figure 1 – Block Diagram

5. DIE PAD FLOOR PLAN

Pad #1 →



+ represents the centre of the alignment mark

	X-pos (μm)	Y-pos (μm)
	-8176.0	307.0
	8176.0	307.0
	-9140.0	-941.0
	9140.0	-941.0

All alignment keys have size
75 μm x 75 μm

Die Size: 20989 μm x 2250 μm
 Die Thickness: 457 μm +/- 25 μm
 Min I/O pad pitch: 76.2 μm
 Min SEG pad pitch: 41.2 μm
 Min COM pad pitch: 41.2 μm
 Bump Height: Nominal 15 μm

Figure 2 – SSD1339Z pin assignment

Table 2 – SSD1339Z Die Pad Coordinates

Pad #	Pad Name	X-Axis	Y-Axis	Pad #	Pad Name	X-Axis	Y-Axis	Pad #	Pad Name	X-Axis	Y-Axis
1	NC	-10160.275	-1043	81	TR0	-3886.2	-1043	161	VSS	2209.8	-1043
2	NC	-10084.075	-1043	82	VSS	-3810	-1043	162	RW#(WR#)	2286	-1043
3	NC	-10007.875	-1043	83	VSSB	-3733.8	-1043	163	E(RD#)	2362.2	-1043
4	NC	-9931.675	-1043	84	VSSB	-3657.6	-1043	164	VDDIO	2438.4	-1043
5	NC	-9737.3	-1043	85	VSSB	-3581.4	-1043	165	D0	2514.6	-1043
6	NC	-9661.1	-1043	86	VSSB	-3505.2	-1043	166	D1	2590.8	-1043
7	NC	-9584.9	-1043	87	GDR	-3429	-1043	167	D2	2667	-1043
8	NC	-9508.7	-1043	88	GDR	-3352.8	-1043	168	D3	2743.2	-1043
9	NC	-9432.5	-1043	89	GDR	-3276.6	-1043	169	D4	2819.4	-1043
10	NC	-9356.3	-1043	90	GDR	-3200.4	-1043	170	D5	2895.6	-1043
11	NC	-9280.1	-1043	91	GDR	-3124.2	-1043	171	D6	2971.8	-1043
12	NC	-9203.9	-1043	92	GDR	-3048	-1043	172	D7	3048	-1043
13	NC	-9127.7	-1043	93	GDR	-2971.8	-1043	173	D8	3124.2	-1043
14	NC	-9051.5	-1043	94	GDR	-2895.6	-1043	174	D9	3200.4	-1043
15	NC	-8975.3	-1043	95	GDR	-2819.4	-1043	175	D10	3276.6	-1043
16	NC	-8899.1	-1043	96	GDR	-2743.2	-1043	176	D11	3352.8	-1043
17	NC	-8822.9	-1043	97	GDR	-2667	-1043	177	D12	3429	-1043
18	NC	-8746.7	-1043	98	GDR	-2590.8	-1043	178	D13	3505.2	-1043
19	NC	-8670.5	-1043	99	GDR	-2514.6	-1043	179	D14	3581.4	-1043
20	NC	-8594.3	-1043	100	GDR	-2438.4	-1043	180	D15	3657.6	-1043
21	NC	-8518.1	-1043	101	GDR	-2362.2	-1043	181	VDDIO	3733.8	-1043
22	NC	-8441.9	-1043	102	GDR	-2286	-1043	182	MS	3810	-1043
23	NC	-8305.8	-1043	103	GDR	-2209.8	-1043	183	CLS	3886.2	-1043
24	NC	-8229.6	-1043	104	GDR	-2133.6	-1043	184	D16	3962.4	-1043
25	NC	-8153.4	-1043	105	GDR	-2057.4	-1043	185	D17	4038.6	-1043
26	VCC	-8077.2	-1043	106	GDR	-1981.2	-1043	186	VSS	4114.8	-1043
27	VCC	-8001	-1043	107	VDDB	-1905	-1043	187	VSS	4191	-1043
28	VCC	-7924.8	-1043	108	VDDB	-1828.8	-1043	188	VSS	4267.2	-1043
29	VCC	-7848.6	-1043	109	VDDB	-1752.6	-1043	189	VSS	4343.4	-1043
30	VCC	-7772.4	-1043	110	VDDB	-1676.4	-1043	190	VSS	4419.6	-1043
31	VCC	-7696.2	-1043	111	VDD	-1600.2	-1043	191	VSS	4495.8	-1043
32	VCC	-7620	-1043	112	VDD	-1524	-1043	192	VCL	4572	-1043
33	VCC	-7543.8	-1043	113	VDD	-1447.8	-1043	193	VCL	4648.2	-1043
34	VCOMH	-7467.6	-1043	114	VDD	-1371.6	-1043	194	VCL	4724.4	-1043
35	VCOMH	-7391.4	-1043	115	FB	-1295.4	-1043	195	VCL	4800.6	-1043
36	VCOMH	-7315.2	-1043	116	VSS	-1219.2	-1043	196	VCL	4876.8	-1043
37	VSL	-7239	-1043	117	RESE	-1143	-1043	197	VCL	4953	-1043
38	VSL	-7162.8	-1043	118	VBREF	-1066.8	-1043	198	VCL	5029.2	-1043
39	VSL	-7086.6	-1043	119	VSS	-990.6	-1043	199	VCL	5105.4	-1043
40	VSL	-7010.4	-1043	120	BGGND	-914.4	-1043	200	VCL	5181.6	-1043
41	VSL	-6934.2	-1043	121	NC	-838.2	-1043	201	VCL	5257.8	-1043
42	VSL	-6858	-1043	122	VPA	-762	-1043	202	VCL	5334	-1043
43	VSL	-6781.8	-1043	123	VPB	-685.8	-1043	203	VCL	5410.2	-1043
44	VSL	-6705.6	-1043	124	VPC	-609.6	-1043	204	VDD	5486.4	-1043
45	VSL	-6629.4	-1043	125	VSS	-533.4	-1043	205	VDD	5562.6	-1043
46	VDD	-6553.2	-1043	126	NC	-457.2	-1043	206	VDD	5638.8	-1043
47	VDD	-6477	-1043	127	VSS	-381	-1043	207	VDD	5715	-1043
48	VDD	-6400.8	-1043	128	GPIO0	-304.8	-1043	208	VDD	5791.2	-1043
49	VDD	-6324.6	-1043	129	GPIO1	-228.6	-1043	209	VDD	5867.4	-1043
50	VDD	-6248.4	-1043	130	VDDIO	-152.4	-1043	210	VDD	5943.6	-1043
51	VDD	-6172.2	-1043	131	ICASB	-76.2	-1043	211	VDD	6019.8	-1043
52	VDD	-6096	-1043	132	ICASB	0	-1043	212	VSL	6096	-1043
53	VDD	-6019.8	-1043	133	ICASA	76.2	-1043	213	VSL	6172.2	-1043
54	VCL	-5943.6	-1043	134	VSS	152.4	-1043	214	VSL	6248.4	-1043
55	VCL	-5867.4	-1043	135	VREF	228.6	-1043	215	VSL	6324.6	-1043
56	VCL	-5791.2	-1043	136	VCC	304.8	-1043	216	VSL	6400.8	-1043
57	VCL	-5715	-1043	137	VMONA	381	-1043	217	VSL	6477	-1043
58	VCL	-5638.8	-1043	138	VMONA	457.2	-1043	218	VSL	6553.2	-1043
59	VCL	-5562.6	-1043	139	VCC	533.4	-1043	219	VSL	6629.4	-1043
60	VCL	-5486.4	-1043	140	VCC	609.6	-1043	220	VSL	6705.6	-1043
61	VCL	-5410.2	-1043	141	VCC	685.8	-1043	221	VSL	6781.8	-1043
62	VCL	-5334	-1043	142	VCC	762	-1043	222	VSL	6858	-1043
63	VSS	-5257.8	-1043	143	VCC	838.2	-1043	223	VSL	6934.2	-1043
64	VSS	-5181.6	-1043	144	VSS	914.4	-1043	224	VDDIO	7010.4	-1043
65	VSS	-5105.4	-1043	145	IREF	990.6	-1043	225	VDDIO	7086.6	-1043
66	VSS	-5029.2	-1043	146	M	1066.8	-1043	226	VCOMH	7162.8	-1043
67	VSS	-4953	-1043	147	CL	1143	-1043	227	VCOMH	7239	-1043
68	VSS	-4876.8	-1043	148	DOF#	1219.2	-1043	228	VCOMH	7315.2	-1043
69	VSSB	-4800.6	-1043	149	RES#	1295.4	-1043	229	VCOMH	7391.4	-1043
70	VSSB	-4724.4	-1043	150	VSS	1371.6	-1043	230	VCOMH	7467.6	-1043
71	VSSB	-4648.2	-1043	151	D/C#	1447.8	-1043	231	VCC	7543.8	-1043
72	VSSB	-4572	-1043	152	VDDIO	1524	-1043	232	VCC	7620	-1043
73	TR8	-4495.8	-1043	153	CS#	1600.2	-1043	233	VCC	7696.2	-1043
74	TR7	-4419.6	-1043	154	VSS	1676.4	-1043	234	VCC	7772.4	-1043
75	TR6	-4343.4	-1043	155	BS2	1752.6	-1043	235	VCC	7848.6	-1043
76	TR5	-4267.2	-1043	156	VDDIO	1828.8	-1043	236	VCC	7924.8	-1043
77	TR4	-4191	-1043	157	BS1	1905	-1043	237	VCC	8001	-1043
78	TR3	-4114.8	-1043	158	VSS	1981.2	-1043	238	VCC	8077.2	-1043
79	TR2	-4038.6	-1043	159	BS0	2057.4	-1043	239	NC	8153.4	-1043
80	TR1	-3962.4	-1043	160	VDDIO	2133.6	-1043	240	NC	8229.6	-1043

Pad #	Pad Name	X-Axis	Y-Axis	Pad #	Pad Name	X-Axis	Y-Axis	Pad #	Pad Name	X-Axis	Y-Axis
241	NC	8305.8	-1043	321	COM30	9723.2	1030	401	SA15	6344.8	1030
242	NC	8441.9	-1043	322	COM29	9682	1030	402	SB15	6303.6	1030
243	NC	8518.1	-1043	323	COM28	9640.8	1030	403	SC15	6262.4	1030
244	NC	8594.3	-1043	324	COM27	9599.6	1030	404	SA16	6221.2	1030
245	NC	8670.5	-1043	325	COM26	9558.4	1030	405	SB16	6180	1030
246	NC	8746.7	-1043	326	COM25	9517.2	1030	406	SC16	6138.8	1030
247	NC	8822.9	-1043	327	COM24	9476	1030	407	SA17	6097.6	1030
248	NC	8899.1	-1043	328	COM23	9434.8	1030	408	SB17	6056.4	1030
249	NC	8975.3	-1043	329	COM22	9393.6	1030	409	SC17	6015.2	1030
250	NC	9051.5	-1043	330	COM21	9352.4	1030	410	SA18	5974	1030
251	NC	9127.7	-1043	331	COM20	9311.2	1030	411	SB18	5932.8	1030
252	NC	9203.9	-1043	332	COM19	9270	1030	412	SC18	5891.6	1030
253	NC	9280.1	-1043	333	COM18	9228.8	1030	413	SA19	5850.4	1030
254	NC	9356.3	-1043	334	COM17	9187.6	1030	414	SB19	5809.2	1030
255	NC	9432.5	-1043	335	COM16	9146.4	1030	415	SC19	5768	1030
256	NC	9508.7	-1043	336	COM15	9105.2	1030	416	SA20	5726.8	1030
257	NC	9584.9	-1043	337	COM14	9064	1030	417	SB20	5685.6	1030
258	NC	9661.1	-1043	338	COM13	9022.8	1030	418	SC20	5644.4	1030
259	NC	9737.3	-1043	339	COM12	8981.6	1030	419	SA21	5603.2	1030
260	NC	9931.675	-1043	340	COM11	8940.4	1030	420	SB21	5562	1030
261	NC	10007.875	-1043	341	COM10	8899.2	1030	421	SC21	5520.8	1030
262	NC	10084.075	-1043	342	COM9	8858	1030	422	SA22	5479.6	1030
263	NC	10160.275	-1043	343	COM8	8816.8	1030	423	SB22	5438.4	1030
264	NC	10359.7	-1060	344	COM7	8775.6	1030	424	SC22	5397.2	1030
265	COM65	10359.7	-967	345	COM6	8734.4	1030	425	SA23	5356	1030
266	COM64	10359.7	-925.8	346	COM5	8693.2	1030	426	SB23	5314.8	1030
267	COM63	10359.7	-884.6	347	COM4	8652	1030	427	SC23	5273.6	1030
268	COM62	10359.7	-843.4	348	COM3	8610.8	1030	428	SA24	5232.4	1030
269	COM61	10359.7	-802.2	349	COM2	8569.6	1030	429	SB24	5191.2	1030
270	COM60	10359.7	-761	350	COM1	8528.4	1030	430	SC24	5150	1030
271	COM59	10359.7	-719.8	351	COM0	8487.2	1030	431	SA25	5108.8	1030
272	COM58	10359.7	-678.6	352	COMX	8446	1030	432	SB25	5067.6	1030
273	COM57	10359.7	-637.4	353	NC	8404.8	1030	433	SC25	5026.4	1030
274	COM56	10359.7	-596.2	354	NC	8363.6	1030	434	SA26	4985.2	1030
275	COM55	10359.7	-555	355	NC	8240	1030	435	SB26	4944	1030
276	COM54	10359.7	-513.8	356	SA0	8198.8	1030	436	SC26	4902.8	1030
277	COM53	10359.7	-472.6	357	SB0	8157.6	1030	437	SA27	4861.6	1030
278	COM52	10359.7	-431.4	358	SC0	8116.4	1030	438	SB27	4820.4	1030
279	COM51	10359.7	-390.2	359	SA1	8075.2	1030	439	SC27	4779.2	1030
280	COM50	10359.7	-349	360	SB1	8034	1030	440	SA28	4738	1030
281	COM49	10359.7	-307.8	361	SC1	7992.8	1030	441	SB28	4696.8	1030
282	COM48	10359.7	-266.6	362	SA2	7951.6	1030	442	SC28	4655.6	1030
283	COM47	10359.7	-225.4	363	SB2	7910.4	1030	443	SA29	4614.4	1030
284	COM46	10359.7	-184.2	364	SC2	7869.2	1030	444	SB29	4573.2	1030
285	COM45	10359.7	-143	365	SA3	7828	1030	445	SC29	4532	1030
286	COM44	10359.7	-101.8	366	SB3	7786.8	1030	446	SA30	4490.8	1030
287	NC	10359.7	-60.6	367	SC3	7745.6	1030	447	SB30	4449.6	1030
288	NC	10359.7	-19.4	368	SA4	7704.4	1030	448	SC30	4408.4	1030
289	NC	10359.7	21.8	369	SB4	7663.2	1030	449	SA31	4367.2	1030
290	NC	10359.7	63	370	SC4	7622	1030	450	SB31	4326	1030
291	NC	10359.7	104.2	371	SA5	7580.8	1030	451	SC31	4284.8	1030
292	NC	10359.7	145.4	372	SB5	7539.6	1030	452	SA32	4243.6	1030
293	NC	10359.7	186.6	373	SC5	7498.4	1030	453	SB32	4202.4	1030
294	NC	10359.7	227.8	374	SA6	7457.2	1030	454	SC32	4161.2	1030
295	NC	10359.7	269	375	SB6	7416	1030	455	SA33	4120	1030
296	NC	10359.7	310.2	376	SC6	7374.8	1030	456	SB33	4078.8	1030
297	NC	10359.7	351.4	377	SA7	7333.6	1030	457	SC33	4037.6	1030
298	NC	10359.7	404.1	378	SB7	7292.4	1030	458	SA34	3996.4	1030
299	NC	10359.7	562.95	379	SC7	7251.2	1030	459	SB34	3955.2	1030
300	NC	10359.7	615.65	380	SA8	7210	1030	460	SC34	3914	1030
301	NC	10359.7	656.85	381	SB8	7168.8	1030	461	SA35	3872.8	1030
302	NC	10359.7	698.05	382	SC8	7127.6	1030	462	SB35	3831.6	1030
303	NC	10359.7	739.25	383	SA9	7086.4	1030	463	SC35	3790.4	1030
304	NC	10359.7	780.45	384	SB9	7045.2	1030	464	SA36	3749.2	1030
305	NC	10359.7	833.15	385	SC9	7004	1030	465	SB36	3708	1030
306	NC	10389.7	1030	386	SA10	6962.8	1030	466	SC36	3666.8	1030
307	NC	10318.5	1030	387	SB10	6921.6	1030	467	SA37	3625.6	1030
308	COM43	10258.8	1030	388	SC10	6880.4	1030	468	SB37	3584.4	1030
309	COM42	10217.6	1030	389	SA11	6839.2	1030	469	SC37	3543.2	1030
310	COM41	10176.4	1030	390	SB11	6798	1030	470	SA38	3502	1030
311	COM40	10135.2	1030	391	SC11	6756.8	1030	471	SB38	3460.8	1030
312	COM39	10094	1030	392	SA12	6715.6	1030	472	SC38	3419.6	1030
313	COM38	10052.8	1030	393	SB12	6674.4	1030	473	SA39	3378.4	1030
314	COM37	10011.6	1030	394	SC12	6633.2	1030	474	SB39	3337.2	1030
315	COM36	9970.4	1030	395	SA13	6592	1030	475	SC39	3296	1030
316	COM35	9929.2	1030	396	SB13	6550.8	1030	476	SA40	3254.8	1030
317	COM34	9888	1030	397	SC13	6509.6	1030	477	SB40	3213.6	1030
318	COM33	9846.8	1030	398	SA14	6468.4	1030	478	SC40	3172.4	1030
319	COM32	9805.6	1030	399	SB14	6427.2	1030	479	SA41	3131.2	1030
320	COM31	9764.4	1030	400	SC14	6386	1030	480	SB41	3090	1030

Pad #	Pad Name	X-Axis	Y-Axis	Pad #	Pad Name	X-Axis	Y-Axis	Pad #	Pad Name	X-Axis	Y-Axis
481	SC41	3048.8	1030	561	SB68	-247.2	1030	641	SA95	-3666.8	1030
482	SA42	3007.6	1030	562	SC68	-288.4	1030	642	SB95	-3708	1030
483	SB42	2966.4	1030	563	SA69	-329.6	1030	643	SC95	-3749.2	1030
484	SC42	2925.2	1030	564	SB69	-370.8	1030	644	SA96	-3790.4	1030
485	SA43	2884	1030	565	SC69	-412	1030	645	SB96	-3831.6	1030
486	SB43	2842.8	1030	566	SA70	-453.2	1030	646	SC96	-3872.8	1030
487	SC43	2801.6	1030	567	SB70	-494.4	1030	647	SA97	-3914	1030
488	SA44	2760.4	1030	568	SC70	-535.6	1030	648	SB97	-3955.2	1030
489	SB44	2719.2	1030	569	SA71	-576.8	1030	649	SC97	-3996.4	1030
490	SC44	2678	1030	570	SB71	-618	1030	650	SA98	-4037.6	1030
491	SA45	2636.8	1030	571	SC71	-659.2	1030	651	SB98	-4078.8	1030
492	SB45	2595.6	1030	572	SA72	-824	1030	652	SC98	-4120	1030
493	SC45	2554.4	1030	573	SB72	-865.2	1030	653	SA99	-4161.2	1030
494	SA46	2513.2	1030	574	SC72	-906.4	1030	654	SB99	-4202.4	1030
495	SB46	2472	1030	575	SA73	-947.6	1030	655	SC99	-4243.6	1030
496	SC46	2430.8	1030	576	SB73	-988.8	1030	656	SA100	-4284.8	1030
497	SA47	2389.6	1030	577	SC73	-1030	1030	657	SB100	-4326	1030
498	SB47	2348.4	1030	578	SA74	-1071.2	1030	658	SC100	-4367.2	1030
499	SC47	2307.2	1030	579	SB74	-1112.4	1030	659	SA101	-4408.4	1030
500	SA48	2266	1030	580	SC74	-1153.6	1030	660	SB101	-4449.6	1030
501	SB48	2224.8	1030	581	SA75	-1194.8	1030	661	SC101	-4490.8	1030
502	SC48	2183.6	1030	582	SB75	-1236	1030	662	SA102	-4532	1030
503	SA49	2142.4	1030	583	SC75	-1277.2	1030	663	SB102	-4573.2	1030
504	SB49	2101.2	1030	584	SA76	-1318.4	1030	664	SC102	-4614.4	1030
505	SC49	2060	1030	585	SB76	-1359.6	1030	665	SA103	-4655.6	1030
506	SA50	2018.8	1030	586	SC76	-1400.8	1030	666	SB103	-4696.8	1030
507	SB50	1977.6	1030	587	SA77	-1442	1030	667	SC103	-4738	1030
508	SC50	1936.4	1030	588	SB77	-1483.2	1030	668	SA104	-4779.2	1030
509	SA51	1895.2	1030	589	SC77	-1524.4	1030	669	SB104	-4820.4	1030
510	SB51	1854	1030	590	SA78	-1565.6	1030	670	SC104	-4861.6	1030
511	SC51	1812.8	1030	591	SB78	-1606.8	1030	671	SA105	-4902.8	1030
512	SA52	1771.6	1030	592	SC78	-1648	1030	672	SB105	-4944	1030
513	SB52	1730.4	1030	593	SA79	-1689.2	1030	673	SC105	-4985.2	1030
514	SC52	1689.2	1030	594	SB79	-1730.4	1030	674	SA106	-5026.4	1030
515	SA53	1648	1030	595	SC79	-1771.6	1030	675	SB106	-5067.6	1030
516	SB53	1606.8	1030	596	SA80	-1812.8	1030	676	SC106	-5108.8	1030
517	SC53	1565.6	1030	597	SB80	-1854	1030	677	SA107	-5150	1030
518	SA54	1524.4	1030	598	SC80	-1895.2	1030	678	SB107	-5191.2	1030
519	SB54	1483.2	1030	599	SA81	-1936.4	1030	679	SC107	-5232.4	1030
520	SC54	1442	1030	600	SB81	-1977.6	1030	680	SA108	-5273.6	1030
521	SA55	1400.8	1030	601	SC81	-2018.8	1030	681	SB108	-5314.8	1030
522	SB55	1359.6	1030	602	SA82	-2060	1030	682	SC108	-5356	1030
523	SC55	1318.4	1030	603	SB82	-2101.2	1030	683	SA109	-5397.2	1030
524	SA56	1277.2	1030	604	SC82	-2142.4	1030	684	SB109	-5438.4	1030
525	SB56	1236	1030	605	SA83	-2183.6	1030	685	SC109	-5479.6	1030
526	SC56	1194.8	1030	606	SB83	-2224.8	1030	686	SA110	-5520.8	1030
527	SA57	1153.6	1030	607	SC83	-2266	1030	687	SB110	-5562	1030
528	SB57	1112.4	1030	608	SA84	-2307.2	1030	688	SC110	-5603.2	1030
529	SC57	1071.2	1030	609	SB84	-2348.4	1030	689	SA111	-5644.4	1030
530	SA58	1030	1030	610	SC84	-2389.6	1030	690	SB111	-5685.6	1030
531	SB58	988.8	1030	611	SA85	-2430.8	1030	691	SC111	-5726.8	1030
532	SC58	947.6	1030	612	SB85	-2472	1030	692	SA112	-5768	1030
533	SA59	906.4	1030	613	SC85	-2513.2	1030	693	SB112	-5809.2	1030
534	SB59	865.2	1030	614	SA86	-2554.4	1030	694	SC112	-5850.4	1030
535	SC59	824	1030	615	SB86	-2595.6	1030	695	SA113	-5891.6	1030
536	SA60	782.8	1030	616	SC86	-2636.8	1030	696	SB113	-5932.8	1030
537	SB60	741.6	1030	617	SA87	-2678	1030	697	SC113	-5974	1030
538	SC60	700.4	1030	618	SB87	-2719.2	1030	698	SA114	-6015.2	1030
539	SA61	659.2	1030	619	SC87	-2760.4	1030	699	SB114	-6056.4	1030
540	SB61	618	1030	620	SA88	-2801.6	1030	700	SC114	-6097.6	1030
541	SC61	576.8	1030	621	SB88	-2842.8	1030	701	SA115	-6138.8	1030
542	SA62	535.6	1030	622	SC88	-2884	1030	702	SB115	-6180	1030
543	SB62	494.4	1030	623	SA89	-2925.2	1030	703	SC115	-6221.2	1030
544	SC62	453.2	1030	624	SB89	-2966.4	1030	704	SA116	-6262.4	1030
545	SA63	412	1030	625	SC89	-3007.6	1030	705	SB116	-6303.6	1030
546	SB63	370.8	1030	626	SA90	-3048.8	1030	706	SC116	-6344.8	1030
547	SC63	329.6	1030	627	SB90	-3090	1030	707	SA117	-6386	1030
548	SA64	288.4	1030	628	SC90	-3131.2	1030	708	SB117	-6427.2	1030
549	SB64	247.2	1030	629	SA91	-3172.4	1030	709	SC117	-6468.4	1030
550	SC64	206	1030	630	SB91	-3213.6	1030	710	SA118	-6509.6	1030
551	SA65	164.8	1030	631	SC91	-3254.8	1030	711	SB118	-6550.8	1030
552	SB65	123.6	1030	632	SA92	-3296	1030	712	SC118	-6592	1030
553	SC65	82.4	1030	633	SB92	-3337.2	1030	713	SA119	-6633.2	1030
554	SA66	41.2	1030	634	SC92	-3378.4	1030	714	SB119	-6674.4	1030
555	SB66	0	1030	635	SA93	-3419.6	1030	715	SC119	-6715.6	1030
556	SC66	-41.2	1030	636	SB93	-3460.8	1030	716	SA120	-6756.8	1030
557	SA67	-82.4	1030	637	SC93	-3502	1030	717	SB120	-6798	1030
558	SB67	-123.6	1030	638	SA94	-3543.2	1030	718	SC120	-6839.2	1030
559	SC67	-164.8	1030	639	SB94	-3584.4	1030	719	SA121	-6880.4	1030
560	SA68	-206	1030	640	SC94	-3625.6	1030	720	SB121	-6921.6	1030

Pad #	Pad Name	X-Axis	Y-Axis	Pad #	Pad Name	X-Axis	Y-Axis
721	SC121	-6962.8	1030	801	NC	-10389.7	1030
722	SA122	-7004	1030	802	NC	-10359.7	833.15
723	SB122	-7045.2	1030	803	NC	-10359.7	780.45
724	SC122	-7086.4	1030	804	NC	-10359.7	739.25
725	SA123	-7127.6	1030	805	NC	-10359.7	698.05
726	SB123	-7168.8	1030	806	NC	-10359.7	656.85
727	SC123	-7210	1030	807	NC	-10359.7	615.65
728	SA124	-7251.2	1030	808	NC	-10359.7	562.95
729	SB124	-7292.4	1030	809	NC	-10359.7	404.1
730	SC124	-7333.6	1030	810	NC	-10359.7	351.4
731	SA125	-7374.8	1030	811	NC	-10359.7	310.2
732	SB125	-7416	1030	812	NC	-10359.7	269
733	SC125	-7457.2	1030	813	NC	-10359.7	227.8
734	SA126	-7498.4	1030	814	NC	-10359.7	186.6
735	SB126	-7539.6	1030	815	NC	-10359.7	145.4
736	SC126	-7580.8	1030	816	NC	-10359.7	104.2
737	SA127	-7622	1030	817	NC	-10359.7	63
738	SB127	-7663.2	1030	818	NC	-10359.7	21.8
739	SC127	-7704.4	1030	819	NC	-10359.7	-19.4
740	SA128	-7745.6	1030	820	NC	-10359.7	-60.6
741	SB128	-7786.8	1030	821	COM111	-10359.7	-101.8
742	SC128	-7828	1030	822	COM112	-10359.7	-143
743	SA129	-7869.2	1030	823	COM113	-10359.7	-184.2
744	SB129	-7910.4	1030	824	COM114	-10359.7	-225.4
745	SC129	-7951.6	1030	825	COM115	-10359.7	-266.6
746	SA130	-7992.8	1030	826	COM116	-10359.7	-307.8
747	SB130	-8034	1030	827	COM117	-10359.7	-349
748	SC130	-8075.2	1030	828	COM118	-10359.7	-390.2
749	SA131	-8116.4	1030	829	COM119	-10359.7	-431.4
750	SB131	-8157.6	1030	830	COM120	-10359.7	-472.6
751	SC131	-8198.8	1030	831	COM121	-10359.7	-513.8
752	NC	-8240	1030	832	COM122	-10359.7	-555
753	NC	-8363.6	1030	833	COM123	-10359.7	-596.2
754	NC	-8404.8	1030	834	COM124	-10359.7	-637.4
755	COM66	-8446	1030	835	COM125	-10359.7	-678.6
756	COM67	-8487.2	1030	836	COM126	-10359.7	-719.8
757	COM68	-8528.4	1030	837	COM127	-10359.7	-761
758	COM69	-8569.6	1030	838	COM128	-10359.7	-802.2
759	COM70	-8610.8	1030	839	COM129	-10359.7	-843.4
760	COM71	-8652	1030	840	COM130	-10359.7	-884.6
761	COM72	-8693.2	1030	841	COM131	-10359.7	-925.8
762	COM73	-8734.4	1030	842	COMX	-10359.7	-967
763	COM74	-8775.6	1030	843	NC	-10359.7	-1060
764	COM75	-8816.8	1030				
765	COM76	-8858	1030				
766	COM77	-8899.2	1030				
767	COM78	-8940.4	1030				
768	COM79	-8981.6	1030				
769	COM80	-9022.8	1030				
770	COM81	-9064	1030				
771	COM82	-9105.2	1030				
772	COM83	-9146.4	1030				
773	COM84	-9187.6	1030				
774	COM85	-9228.8	1030				
775	COM86	-9270	1030				
776	COM87	-9311.2	1030				
777	COM88	-9352.4	1030				
778	COM89	-9393.6	1030				
779	COM90	-9434.8	1030				
780	COM91	-9476	1030				
781	COM92	-9517.2	1030				
782	COM93	-9558.4	1030				
783	COM94	-9599.6	1030				
784	COM95	-9640.8	1030				
785	COM96	-9682	1030				
786	COM97	-9723.2	1030				
787	COM98	-9764.4	1030				
788	COM99	-9805.6	1030				
789	COM100	-9846.8	1030				
790	COM101	-9888	1030				
791	COM102	-9929.2	1030				
792	COM103	-9970.4	1030				
793	COM104	-10011.6	1030				
794	COM105	-10052.8	1030				
795	COM106	-10094	1030				
796	COM107	-10135.2	1030				
797	COM108	-10176.4	1030				
798	COM109	-10217.6	1030				
799	COM110	-10258.8	1030				
800	NC	-10318.5	1030				

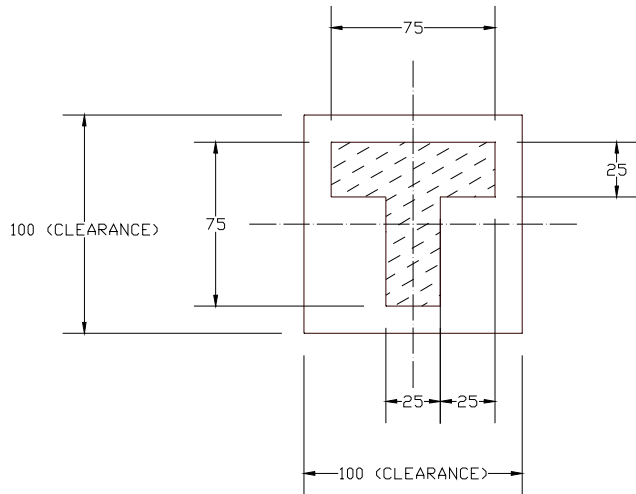
Die Size: 20989um x 2250um

Gold Bump Face Up

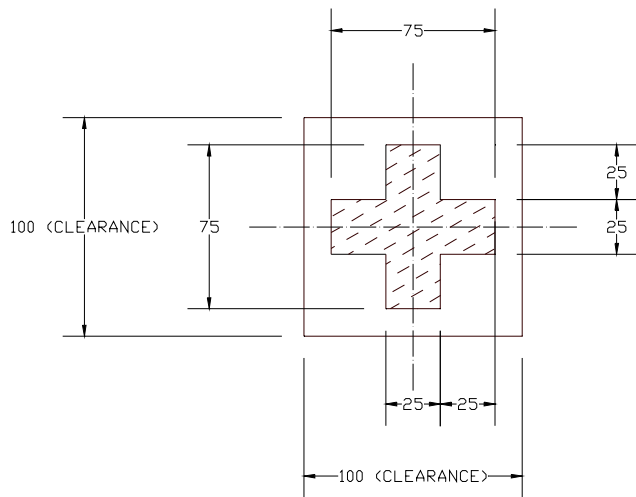
Pad 1, 2, 3, ... -->

Pad #	X-Dimension	Y-Dimension
1 - 263	54um	84um
264, 298-299, 305, 802, 808-809, 843	110um	50um
265-297, 300-304, 803-807, 810-842	110um	27um
306-307, 800-801	50um	110um
308-799	27um	110um

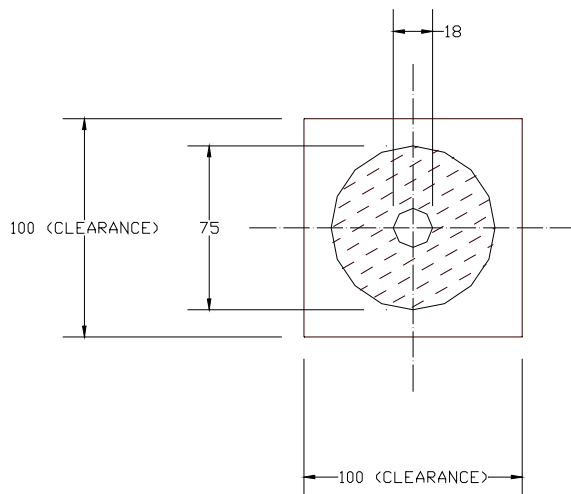
Marks	X-Axis	Y-Axis
KEY_O	9140.000	-941.000
KEY_O	-9140.000	-941.000
KEY_T	-8176.000	307.000
KEY_X	8176.000	307.000



T shape



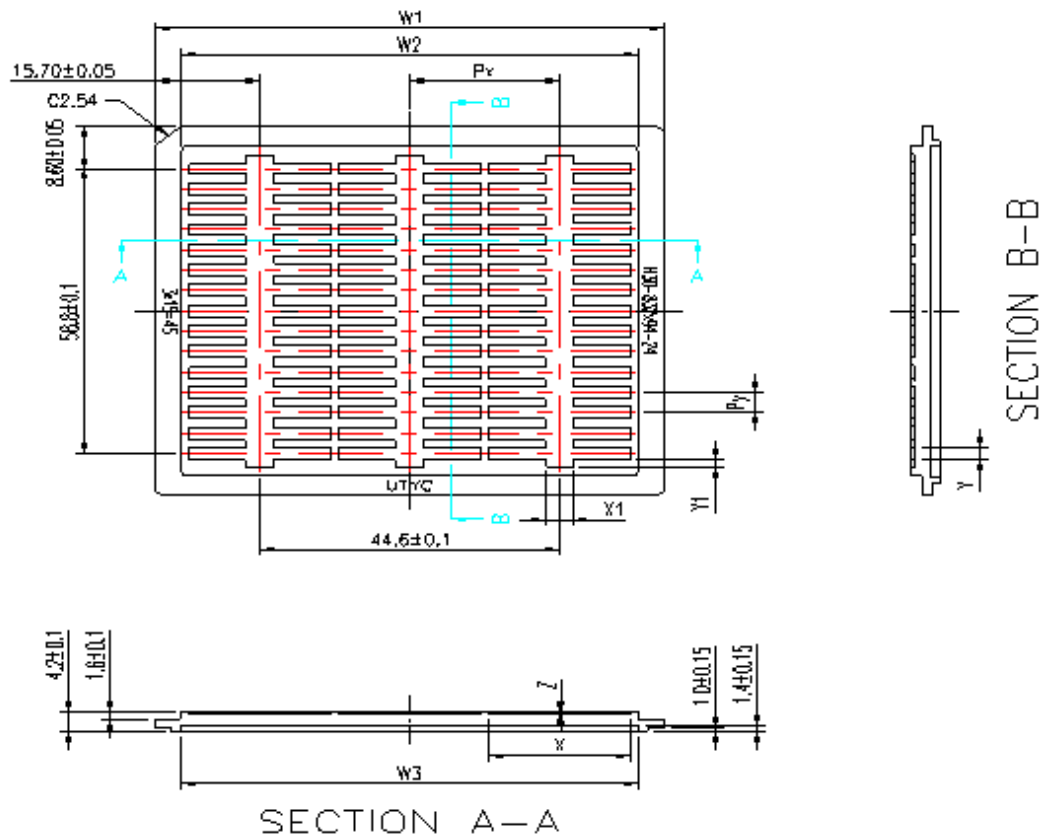
+ shape



Circle

*All units are in um

Figure 3 – SSD1339Z alignment mark dimensions



	Spec	
	mm	(mil)
W1	76.00 +/-0.1	(2992)
W2	68.00 +/-0.1	(2677)
W3	68.30 +/-0.1	(2689)
X1	4.00 +/-0.1	(157)
Y1	1.55 +/-0.1	(61)
Px	22.30 +/-0.05	(878)
Py	4.20 +/-0.1	(165)
X	21.14 +/-0.05	(832)
Y	2.40 +/-0.05	(94)
Z	0.61 +/-0.05	(24)
N	45	

Remark

1. Depth of text is 0.1mm
2. Tray material: ABS
3. Tray color code: Black
4. Surface resistance $10^9 \sim 10^{11} \Omega - \text{cm}$
5. Tray warpage: Max 0.15mm
6. Unspecifier dim's tolerance: +/- 0.15mm
7. Pocket size: 21.14 x 2.40 x 0.61mm

Figure 4 – Die tray information

6. PIN DESCRIPTION

RES#

This pin is reset signal input. When the pin is low, initialization of the chip is executed.

CS#

This pin is the chip select input. The chip is enabled for MCU communication only when CS# is pulled low.

D/C#

This pin is Data/Command control pin. When the pin is pulled high, the data at D₇-D₀ is treated as display data. When the pin is pulled low, the data at D₇-D₀ will be transferred to the command register. For detail relationship to MCU interface signals, please refer to the Timing Characteristics Diagrams.

E (RD#)

This pin is MCU interface input. When interfacing to a 6800-series microprocessor, this pin will be used as the Enable (E) signal. Read/write operation is initiated when this pin is pulled high and the chip is selected.

When connecting to an 8080-microprocessor, this pin receives the Read (RD#) signal. Data read operation is initiated when this pin is pulled low and the chip is selected.

R/W# (WR#)

This pin is MCU interface input. When interfacing to a 6800-series microprocessor, this pin will be used as Read/Write (R/W#) selection input. Read mode will be carried out when this pin is pulled high and write mode will be carried out when this pin is pulled low. When 8080 interface mode is selected, this pin will be the Write (WR#) input. Data write operation is initiated when this pin is pulled low and the chip is selected.

BS0, BS1, BS2

These pins are MCU interface selection input. See the following table:

	6800-parallel interface (8 bit)	8080-parallel interface (8 bit)	6800-parallel interface (16 bit)	8080-parallel interface (16 bit)	Serial interface
BS0	0	0	1	1	0
BS1	0	1	0	1	0
BS2	1	1	1	1	0
BS3	0	0	0	0	0

	6800-parallel interface (9 bit)	8080-parallel interface (9 bit)	6800-parallel interface (18 bit)	8080-parallel interface (18 bit)
BS0	0	0	1	1
BS1	0	1	0	1
BS2	1	1	1	1
BS3	1	1	1	1

Note: Unlike BS0, BS1 and BS2 are controlled by hardware connection, BS3 is controlled by software command, A0.

D₁₇-D₀

These pins are 18-bit bi-directional data bus to be connected to the microprocessor's data bus.

V_{DDIO}

This pin is a power supply pin of I/O buffer. It should be connected to V_{DD} or external source. All I/O signal should have V_{IH} reference to V_{DDIO}. When I/O signal pins (BS012, M/S, CLS, D0-D17, control signals...) pull high, they should be connected to V_{DDIO}.

V_{DD}

Power Supply pin. It must be connected to external source.

V_{SS}

Ground. It also acts as a reference for the logic pins. It must be connected to external ground.

CL

This pin is the system clock input. When internal clock is enabled, this pin should be left open. Nothing should be connected to this pin. When internal oscillator is disabled, this pin receives display clock signal from external clock source.

MS

This pin must be connected to V_{DD} to enable the chip.

CLS

This pin is internal clock enable. When this pin is pulled high, internal oscillator is selected.

The internal clock will be disabled when it is pulled low, an external clock source must be connected to CL pin for normal operation.

V_{DDB}

This is the power supply pin for the internal buffer of the DC-DC voltage converter. It must be connected to V_{DD} when the converter is used. It is also recommended to connect this pin to V_{DD} when the converter is not used to avoid floating node.

V_{SSB}

This is the GND pin for the internal buffer of the DC-DC voltage converter. It must be connected to V_{SS} when the converter is used. It is also recommended to connect this pin to V_{SS} when the converter is not used to avoid floating node.

GDR

This output pin drives the gate of the external NMOS of the booster circuit. This pin can be left open when the converter is not used.

RESE

This pin connects to the source current pin of the external NMOS of the booster circuit. This pin can be left open when the converter is not used.

FB

This pin is the feedback resistor input of the booster circuit. It is used to adjust the booster output voltage level (V_{CC}). This pin can be left open when the converter is not used.

BGGND

This is a ground pin for analog circuits. It must be connected to external ground.

 V_{BREF}

This pin is the internal voltage reference of booster circuit. A stabilization capacitor, typ. 1uF, should be connected to V_{SS} . This pin can be left open when the converter is not used.

 V_{CC}

This is the most positive voltage supply pin of the chip. It is supplied either by external high voltage source or internal booster

 V_{COMH}

This pin is the input pin for the voltage output high level for COM signals. It can be supplied externally or internally. When V_{COMH} is generated internally, a capacitor should be connected between this pin and V_{SS} .

 V_{REF}

This pin is the reference for OLED driving voltages like V_{PA} , V_{PB} , V_{PC} and V_{COMH} . It can be either supplied externally or connected to V_{CC} ($V_{REF} \leq V_{CC}$).

 V_{PA} , V_{PB} , V_{PC}

These pins are the driving voltages for OLED driving segment pins SA0-SA131, SB0-SB131 and SC0-SC131 respectively. They can be supplied externally or internally generated by VP circuit. When internal VP is used, V_{PA} , V_{PB} , V_{PC} pins should be left open.

 I_{REF}

This pin is the segment output current reference pin. I_{SEG} of each color is derived from I_{REF}

$$I_{SEG} = (\text{Contrast} / 256) * I_{REF} * \text{scale factor}$$

Contrast is set by command C1h

Scale factor = master current control register setting (C7h) + 1, i.e., with value from 1~16.

A resistor should be connected between this pin and V_{SS} to maintain the current around 10uA.

VSL

This is segment voltage reference pin. This pin should be left open.

VCL

This is common voltage reference pin. This pin should be connected to V_{SS} externally.

COM0-COM131

These pins provide the Common switch signals to the OLED panel. These pins are in high impedance state when display is off.

SA0-SA131, SB0-SB131, SC0-SC131

These pins provide the OLED segment driving signals. These pins are in high impedance state when display is off.

The 396 segment pins are divided into 3 groups, SA, SB and SC. Each group can have different color settings for color A, B and C.

COMX

These two pins provide the Common switch signals for soft icon line to the OLED panel. These pins are in high impedance state when display is off.

TR0 – TR8, VMONA, ICASA, ICASB, ICASC, GPIO0, GPIO1, M, DOF#

These are reserved pins. No connection is necessary and should be left open individually.

NC

No connection pins. They should be left open individually.

7. FUNCTIONAL BLOCK DISCRIPTIONS

Oscillator Circuit and Display Time Generator

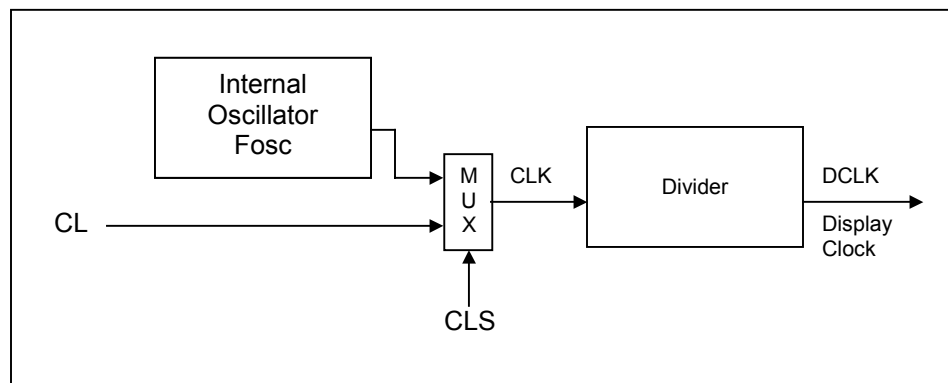


Figure 5 – Oscillator Circuit

This module is an On-Chip low power RC oscillator circuitry. The operation clock (CLK) can be generated either from internal oscillator or external source CL pin. This selection is done by CLS pin. If CLS pin is pulled high, internal oscillator is chosen. Pulling CLS pin low disables internal oscillator and external clock must be connected to CL pins for proper operation. When the internal oscillator is selected, its output frequency Fosc can be changed by command B3h.

In some COF packages of SSD1339, CLS pin is tied to high internally and the internal oscillator is selected in these packages.

The display clock (DCLK) for the Display Timing Generator is derived from CLK. The division factor can be programmed from 1 to 16 by command B3h.

Reset Circuit

When RES# input is low, the chip is initialized with the following status:

1. Display is OFF
2. 132x132 Display Mode
3. Normal segment and display data column address and row address mapping (SEG0 mapped to address 00H and COM0 mapped to address 00H)
4. Shift register data clear in serial interface
5. Display start line is set at display RAM address 0
6. Column address counter is set at 0
7. Normal scan direction of the COM outputs
8. Contrast control register is set at 80H

Command Decoder and Command Interface

This module determines whether the input data is interpreted as data or command. Data is interpreted based upon the input of the D/C# pin.

If D/C# pin is high, data is written to Graphic Display Data RAM (GDDRAM). If it is low, the input at D₇-D₀ is interpreted as a Command and it will be decoded and be written to the corresponding command register.

MPU Parallel 6800-series Interface

The parallel interface consists of 18 bi-directional data pins (D₁₇-D₀) or 8 bi-directional data pins (D₇-D₀), R/W#(WR#), D/C#, E (RD#) and CS#. R/W#(WR#) input High indicates a read operation from the Graphic Display Data RAM (GDDRAM) or the status register. RW#/(WR#) input Low indicates a write operation to Display Data RAM or Internal Command Registers depending on the status of D/C# input. The E(RD#) input serves as data latch signal (clock) when high provided that CS# is low and high respectively. Refer to .

Figure 32 of parallel timing characteristics for Parallel Interface Timing Diagram of 6800-series microprocessors.

In order to match the operating frequency of display RAM with that of the microprocessor, some pipeline processing is internally performed which requires the insertion of a dummy read before the first actual display data read. This is shown in Figure 6 below.

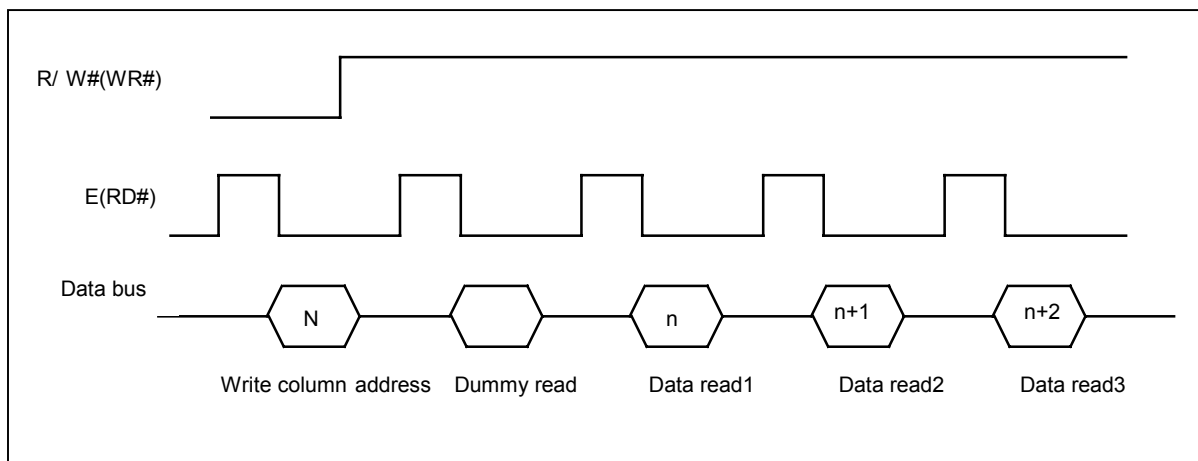


Figure 6 – Display data read back procedure - insertion of dummy read

MPU Parallel 8080-series Interface

The parallel interface consists of 18 bi-directional data pins (D₁₇-D₀) or 8 bi-directional data pins (D₇-D₀), E (RD#), R/W#(WR#), D/C# and CS#. The E(RD#) input serves as data read latch signal (clock) when low, provided that CS# is low and high respectively. Display data or status register read is controlled by D/C#. R/W#(WR#) input serves as data write latch signal (clock) when high provided that CS# is low and high respectively. Display data or command register write is controlled by D/C#. Refer to * when 8 bit used: D₀ ~ D₇ instead; when 9 bit used: D₀ ~ D₈ instead; when 16 bit used: D₀ ~ D₁₅ instead; when 18 bit used: D₀ ~ D₁₇ instead.

Figure 33 of parallel timing characteristics for Parallel Interface Timing Diagram of 8080-series microprocessor. Similar to 6800-series interface, a dummy read is also required before the first actual display data read.

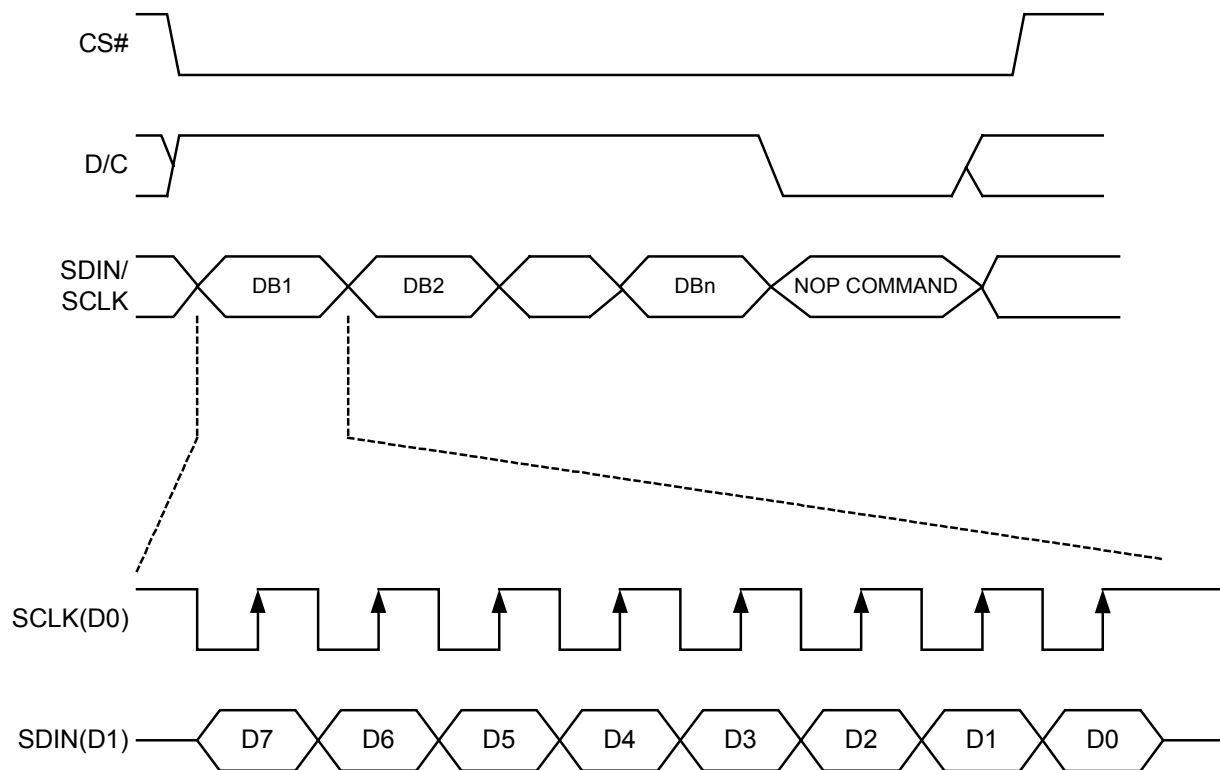
MPU Serial Interface

The serial interface consists of serial clock SCLK, serial data SDIN, D/C#, CS#. In this mode, D0 acts as SCLK, D1 acts as SDIN. For the unused data pins, D2 should be left open. D3 to D7, E and R/W pins can be connected to external ground.

SDIN is shifted into an 8-bit shift register on every rising edge of SCLK in the order of D₇, D₆, ... D₀. D/C is sampled on every eighth clock and the data byte in the shift register is written to the Display Data RAM or command register in the same clock.

During data writing, an additional NOP command should be inserted before the CS# goes high (Refer to Figure 7).

Figure 7 – Display data write procedure in SPI mode



Graphic Display Data RAM (GDDRAM)

The GDDRAM is a bit mapped static RAM holding the bit pattern to be displayed. The size of the RAM is 132 x 133 x 18bits.

For mechanical flexibility, re-mapping on both Segment and Common outputs can be selected by software.

For vertical scrolling of the display, an internal register storing display start line can be set to control the portion of the RAM data to be mapped to the display.

Each pixel has 18-bit data. Each sub-pixels for color A, B and C have 6 bits. The arrangement of data pixel in graphic display data RAM is shown below.

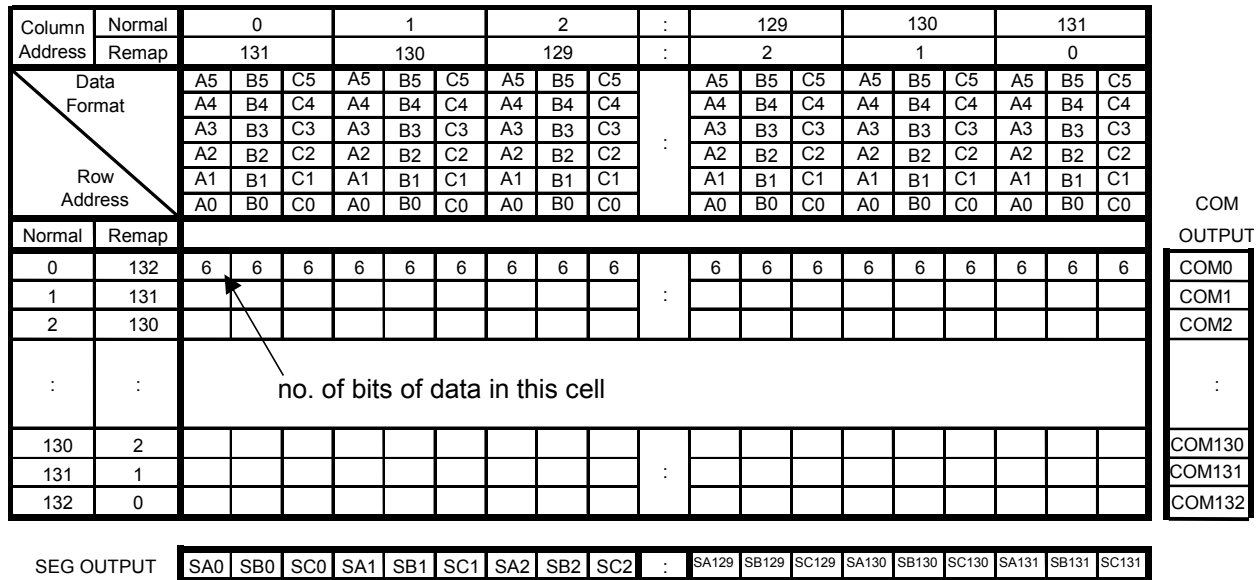


Figure 8 – Graphic Display Data RAM Structure

Data access in 262k colors mode

In 262k colors depth mode, there are different MCU interface communication modes to access graphic display data RAM in OLED driver.

For 18 bits mode, the communication is made up of one session of 18 data bits. MCU transmits all bits to write **one** 18-bit pixel data into OLED driver. This 18-bit mode can be selected by setting the A[3] bit in command A0 to 1.

Bit	17	16	15	14	13	12	11	10	9	8	7	6	5	4	3	2	1	0
Data bits	C ₅	C ₄	C ₃	C ₂	C ₁	C ₀	B ₅	B ₄	B ₃	B ₂	B ₁	B ₀	A ₅	A ₄	A ₃	A ₂	A ₁	A ₀

Figure 9 – 262k color depth data writing sequence in 18-bit MCU interface

For the 1st option of the two 16-bit modes, the communication is divided into two sessions of 16 data bits. MCU transmits two 16-bit words to write **one** 18-bit pixel data into OLED driver. Mode 1 is selected by setting A0h register A[7:6] bits to 10b. In below, A1, B1, C1 are pixel bits for color A, B and C, and “X” stands for don’t care value.

Bit	15	14	13	12	11	10	9	8	7	6	5	4	3	2	1	0
1 st word	X	X	X	X	X	X	X	X	X	X	C1 ₅	C1 ₄	C1 ₃	C1 ₂	C1 ₁	C1 ₀
2 nd word	X	X	B1 ₅	B1 ₄	B1 ₃	B1 ₂	B1 ₁	B1 ₀	X	X	A1 ₅	A1 ₄	A1 ₃	A1 ₂	A1 ₁	A1 ₀

Figure 10 – 262k color depth data writing sequence in 16-bit MCU interface in Option 1

For the 2nd option of the 16-bit modes, the communication is divided into three sessions of 16 data bits. MCU transmits three 16-bit words to write **two** 18-bit pixels data into OLED driver. Option 2 is selected by setting A0h register A[7:6] bits to 11b. In below, A1, B1, C1 are first data pixel bits, and A2, B2, C2 are second data pixel bits.

Bit	15	14	13	12	11	10	9	8	7	6	5	4	3	2	1	0
1 st word	X	X	C1 ₅	C1 ₄	C1 ₃	C1 ₂	C1 ₁	C1 ₀	X	X	B1 ₅	B1 ₄	B1 ₃	B1 ₂	B1 ₁	B1 ₀
2 nd word	X	X	A1 ₅	A1 ₄	A1 ₃	A1 ₂	A1 ₁	A1 ₀	X	X	C2 ₅	C2 ₄	C2 ₃	C2 ₂	C2 ₁	C2 ₀
3 th word	X	X	B2 ₅	B2 ₄	B2 ₃	B2 ₂	B2 ₁	B2 ₀	X	X	A2 ₅	A2 ₄	A2 ₃	A2 ₂	A2 ₁	A2 ₀

Figure 11 – 262k color depth data writing sequence in 16-bit MCU interface in Option 2

For 9-bit modes, the communication is divided into two sessions of 9 data bits. MCU transmits two 9 data bits to write **one** 18-bit pixel data into OLED driver. This 9-bit mode can be selected by setting the A[3] bit in command A0 to 1.

Bit	8	7	6	5	4	3	2	1	0
1 st 9 Data bits	C ₅	C ₄	C ₃	C ₂	C ₁	C ₀	B ₅	B ₄	B ₃
2 nd 9 Data bits	B ₂	B ₁	B ₀	A ₅	A ₄	A ₃	A ₂	A ₁	A ₀

Figure 12 – 262k color depth graphic display data writing sequence in 9-bit MCU interface

In 8-bit MCU interface, the communication session is divided into three times. MCU transmit three 8-bit bytes to write one 18-bit pixel data into OLED driver.

Bit	7	6	5	4	3	2	1	0
1 st byte	X	X	C1 ₅	C1 ₄	C1 ₃	C1 ₂	C1 ₁	C1 ₀
2 nd byte	X	X	B1 ₅	B1 ₄	B1 ₃	B1 ₂	B1 ₁	B1 ₀
3 rd byte	X	X	A1 ₅	A1 ₄	A1 ₃	A1 ₂	A1 ₁	A1 ₀

Figure 13 – 262k color depth graphic display data writing sequence in 8-bit MCU interface

Data access in 65k colors mode

Writing a 65K pixel in 16-bit MCU interface involves one session as follows.

Bit	15	14	13	12	11	10	9	8	7	6	5	4	3	2	1	0
1 st word	C1 ₄	C1 ₃	C1 ₂	C1 ₁	C1 ₀	B1 ₅	B1 ₄	B1 ₃	B1 ₂	B1 ₁	B1 ₀	A1 ₄	A1 ₃	A1 ₂	A1 ₁	A1 ₀

Figure 14 – 65k color depth graphic display data writing sequence in 16-bit MCU interface

The sequence of sending 65K color depth pixel in 8-bit MCU interface is divided into two 8-bit sessions as shown below.

Bit	7	6	5	4	3	2	1	0
1 st byte	C1 ₄	C1 ₃	C1 ₂	C1 ₁	C1 ₀	B1 ₅	B1 ₄	B1 ₃
2 nd byte	B1 ₂	B1 ₁	B1 ₀	A1 ₄	A1 ₃	A1 ₂	A1 ₁	A1 ₀

Figure 15 – 65k color depth graphic display data writing sequence in 8-bit MCU interface

With reference to Figure 8 conventions, in writing the data into graphic display data RAM, the bit positions filled by the input data for each color is shown below.

Color A						
Bit Position	A5	A4	A3	A2	A1	A0
Input Data	A1 ₄	A1 ₃	A1 ₂	A1 ₁	A1 ₀	A1 ₄
Color B						
Bit Position	B5	B4	B3	B2	B1	B0
Input Data	B1 ₅	B1 ₄	B1 ₃	B1 ₂	B1 ₁	B1 ₀
Color C						
Bit Position	C5	C4	C3	C2	C1	C0
Input Data	C1 ₄	C1 ₃	C1 ₂	C1 ₁	C1 ₀	C1 ₄

Figure 16 – Display data RAM writing position for color A, B and C data input in 65k color mode

In data RAM, each data occupies 6-bit. However, color A and C have 5-bit length only in 65k color mode. Therefore, RAM positions A0 and C0 are empty originally. These emptied positions are filled as shown above to increase color A and C to 6-bit length in display data RAM.

Data access in 256 colors mode

In 256-color mode, each pixel is composed of 8-bit. Only 8-bit MCU interface is available to access display data RAM. The communication session is done in 1 time by writing 8-bit data into RAM.

Bit	7	6	5	4	3	2	1	0
1 st byte	C1 ₂	C1 ₁	C1 ₀	B1 ₂	B1 ₁	B1 ₀	A1 ₁	A1 ₀

Figure 11 – 256 Color Depth Graphic Display Data Writing Sequence in 8-bit MCU Interface

With reference to Figure 8 conventions, in writing the data into graphic display data RAM, the bit positions filled by the input data for each color is shown below.

Color A						
Bit Position	A5	A4	A3	A2	A1	A0
Input Data	A1 ₁	A1 ₀	A1 ₁	A1 ₁	A1 ₁	A1 ₁

Color B						
Bit Position	B5	B4	B3	B2	B1	B0
Input Data	B1 ₂	B1 ₁	B1 ₀	B1 ₂	B1 ₂	B1 ₂

Color C						
Bit Position	C5	C4	C3	C2	C1	C0
Input Data	C1 ₂	C1 ₁	C1 ₀	C1 ₂	C1 ₂	C1 ₂

Figure 17 – Display data RAM writing position for color A, B and C data input in 256 color mode

In data RAM, each data occupies 6-bit. However, color B and C have 3-bit length and color A has 2-bit only in 256 color mode. Therefore, RAM positions B2~B0, C2~C0 and A3~A0 are empty originally. These emptied positions are filled as shown above to increase color A, B and C to 6-bit length in display data RAM.

Gray Scale and Gray Scale Table

Controlling the current pulse widths from the segment driver in the current drive phase produces the gray scale display. The gray scale table stores the corresponding pulse widths (PW0 ~ PW63) of the 64 gray scale levels (GS0~GS63). The wider the pulse width, the brighter the pixel will be. Therefore, the brightness of each pixel is defined in the graphic display data RAM in term of pulse width in gray scale table.

This single gray scale table supports all the three colors A, B and C. The pulse widths are entered by software commands.

In graphic display data RAM, each color occupies 6-bit length. So color A, B and C each has 64 gray scale levels.

Color A, B, C RAM data (6 bits)	Gray Scale
0	GS 0
1	GS 1
2	GS 2
3	GS 3
4	GS 4
⋮	⋮
⋮	⋮
⋮	⋮
60	GS 60
61	GS 61
62	GS 62
63	GS 63

Figure 18 – Relation between graphic data RAM value and gray scale table entry for three colors

In 65k and 256 color modes, the length color data are less than 6 bits. They are expanded to 6-bit length as shown in Figure 16 and Figure 17 respectively.

The meaning of values inside data RAM with respect to the gray scale level is best to be illustrated in an example below.

Gray Scale (Pulse Width)	Value/DCLKs
PW0	0
PW1	2
PW2	5
:	:
PW62	120
PW63	125

Gray Scale Table

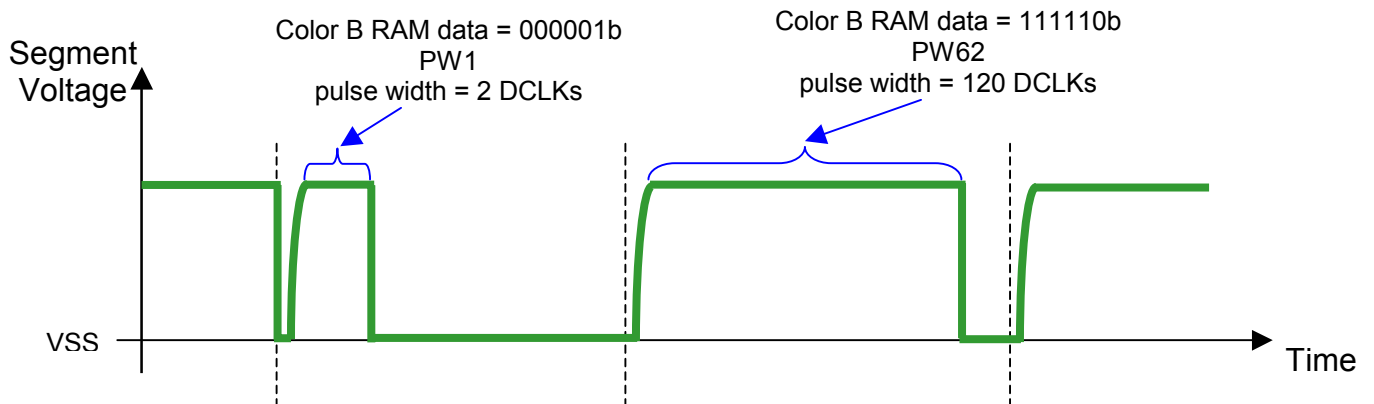


Figure 19 – Illustration of relation between graphic display RAM value and gray scale control

Current Control and Voltage Control

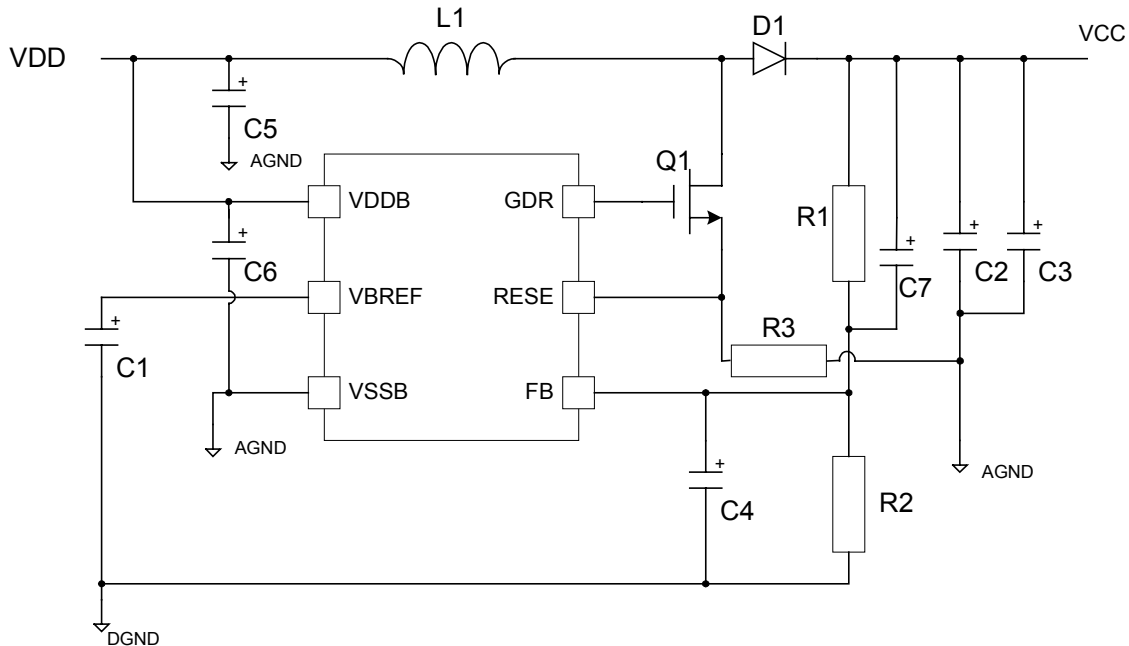
This block is used to derive the incoming power sources into the different levels of internal use voltage and current. V_{CC} and V_{DD} are external power supplies. V_{REF} is reference voltage, which is used to derive driving voltage for segments and commons. I_{REF} is a reference current source for segment current drivers.

Segment Drivers/Common Drivers

Segment drivers deliver 396 current sources to drive OLED panel. The driving current can be adjusted from 0 to 200uA with 256 steps. Common drivers generate voltage scanning pulse.

DC-DC Voltage Converter

It is a switching voltage generator circuit, designed for handheld applications. In SSD1339, internal DC-DC voltage converter accompanying with an external application circuit (shown in below figure) can generate a high voltage supply V_{CC} from a low voltage supply input V_{DD} . V_{CC} is the voltage supply to the OLED driver block. Below application circuit is an example for the input voltage of 3V V_{DD} to generate V_{CC} of 12V @20mA ~ 30mA application.



*ALL PATHS TO AGND SHOULD BE CONNECTED AS SHORT AS POSSIBLE

Passive components selection:

Components	Typical Value	Remark
L1	Inductor, 22 μ H	2A
D1	Schottky diode	2A, 25V e.g. 1N5822
Q1	MOSFET	N-FET with low $R_{DS(on)}$ and low V_{th} voltage. e.g. MGSF1N02LT1 [ON SEMICONDUCTOR]
R1, R2	Resistor	1%, 1/10W
R3	Resistor, 1.5 Ω	1%, 1/2W
C1	Capacitor, 1 μ F	16V
C2	Capacitor, 22 μ F	Low ESR, 25V
C3	Capacitor, 1 μ F	16V
C4	Capacitor, 10nF	16V
C5	Capacitor, 1 ~ 10 μ F	16V
C6	Capacitor, 0.1 ~ 1 μ F	16V
C7	Capacitor, 15nF	16V

The V_{CC} output voltage level can be adjusted by changing the R1 and R2 resistor values, the reference formula is:

$$V_{CC} = 1.2 \times (R1+R2) / R2$$

8. COMMAND TABLE

Table 3 – Command table

($\overline{D/C} = 0$, $\overline{R/W}$ (\overline{WR}) = 0, $E(\overline{RD}) = 1$) unless specific setting is stated

Single byte command ($\overline{D/C} = 0$), Multiple byte command ($\overline{D/C} = 0$ for first byte, $\overline{D/C} = 1$ for other bytes)

D/C	Hex	D7	D6	D5	D4	D3	D2	D2	D0	Command	Description
0 1 1	15 A[7:0] B[7:0]	0 A ₇	0 A ₆	0 A ₅	1 A ₄	0 A ₃	1 A ₂	0 A ₁	1 A ₀	Set Column Address	A[7:0]: Start Address, reset=0d B[7:0]: End Address, reset=131d Range from 0d to 131d
0 1 1	75 A[7:0] B[7:0]	0 A ₇	1 A ₆	1 A ₅	1 A ₄	0 A ₃	1 A ₂	0 A ₁	1 A ₀	Set Row Address	A[7:0]: Start Address, reset=0d B[7:0]: End Address, reset=131d Range from 0d to 131d
0	5C	0	1	0	1	1	1	0	0	Write RAM Command	Enable MCU to write Data into RAM
0	5D	0	1	0	1	1	1	0	1	Read RAM Command	Enable MCU to read Data from RAM
0 1	A0 A[7:0]	1 A ₇	0 A ₆	1 A ₅	0 A ₄	0 A ₃	0 A ₂	0 A ₁	0 A ₀	Set Re-map / Color Depth(Display RAM to Panel)	<p>A[0]=0, Horizontal address increment (POR) A[0]=1, Vertical address increment</p> <p>A[1]=0, Column address 0 is mapped to SEG0 (POR) A[1]=1, Column address 131 is mapped to SEG0</p> <p>A[2]=0, Color sequence: A → B → C (POR) A[2]=1, Color sequence is swapped: C → B → A</p> <p>A[3]=0, Disable 9/18-bit bus interface (POR) A[3]=1, Enable 9/18-bit bus interface</p> <p>A[4]=0, Scan from COM 0 to COM [N –1] (POR) A[4]=1, Scan from COM [N-1] to COM0. Where N is the Multiplex ratio.</p> <p>A[5]=0, Disable COM Split Odd Even (POR) A[5]=1, Enable COM Split Odd Even</p> <p>A[7:6] Set Color Depth, 00 256 color 01 65K color, (POR) 10 262k color, 8/9/18-bit, 16 bit (1st option) MCU interface 11 262k color, 16 - bit MCU interface (2nd option)</p>
0 1	A1 A[7:0]	1 A ₇	0 A ₆	1 A ₅	0 A ₄	0 A ₃	0 A ₂	0 A ₁	1 A ₀	Set Display Start Line	Set vertical scroll by RAM from 0~131 [reset=00d]

D/C	Hex	D7	D6	D5	D4	D3	D2	D2	D0	Command	Description
											PW5 must > PW3+1 Note: GS0 has no pre-charge and current drive stages. For GS2 GS4...GS62, they are derived by driver itself with: $PW_n = (PW_{n-1} + PW_{n+1})/2$ Max pulse width is 125
0	B9	1	0	1	1	1	0	0	1	Use Built-in Linear LUT (reset= linear)	Reset to default Look Up Table: PW1 = 1 PW2 = 3 PW3 = 5 PW4 = 7 ... PW62 = 123 PW63 = 125
0 1 1 1	BB A[7:0] B[7:0] C[7:0]	1 A ₇	0 A ₆	1 A ₅	1 A ₄	1 A ₃	0 A ₂	1 A ₁	1 A ₀	Set Pre-charge voltage of Color A B C	A[7:0] Pre-charge Color A [reset = 00011100] B[7:0] Pre-charge Color B [reset = 00011100] C[7:0] Pre-charge Color C [reset = 00011100] 00000000 0.51*Vref 00011111 0.84*Vref 1xxxxxxx connects to VCOMH
0 1	BE A[6:0]	1 *	0 A ₆	1 A ₅	1 A ₄	1 A ₃	1 A ₂	1 A ₁	0 A ₀	Set VCOMH	A[6:0] 0000000 0.51*Vref 0011111 0.84*Vref [VCOMHSET, reset]
0 1 1 1	C1 A[7:0] B[7:0] C[7:0]	1 A ₇	1 A ₆	0 A ₅	0 A ₄	0 A ₃	0 A ₂	0 A ₁	1 A ₀	Contrast Current for Color A,B,C	A[7:0] Contrast Value Color A [reset=1000000b] B[7:0] Contrast Value Color B [reset=1000000b] C[7:0] Contrast Value Color C [reset=1000000b]
0 1	C7 A[3:0]	1 *	1 *	0 *	0 *	0 A ₃	1 A ₂	1 A ₁	1 A ₀	Master Contrast Current Control	A[3:0] : 0000 reduce output currents for all colors to 1/16 0001 reduce output currents for all colors to 2/16 1110 reduce output currents for all colors to 15/16 1111 no change [reset = 1111b]

D/C	Hex	D7	D6	D5	D4	D3	D2	D2	D0	Command	Description
0	CA	1	1	0	0	1	0	1	0	Set Mux Ratio	A[7:0] mux ratio 16MUX ~ 132MUX, [reset=131d], (Range from 15d to 131d)
1	A[7:0]	A ₇	A ₆	A ₅	A ₄	A ₃	A ₂	A ₁	A ₀		
0	E3	1	1	1	0	0	0	1	1	NOP	Command for No Operation

Table 4 – Graphic acceleration command

Set (GAC) ($\overline{D/C} = 0$, $\overline{R/W}$ (\overline{WR}) = 0, $E(\overline{RD}) = 1$) unless specific setting is stated

Single byte command ($\overline{D/C} = 0$), Multiple byte command ($\overline{D/C} = 0$ for first byte, $\overline{D/C} = 1$ for other bytes)

D/C	Hex	D7	D6	D5	D4	D3	D2	D2	D0	Command	Description
0	83	1	0	0	0	0	0	1	1	Draw Line	A[7:0] : Column Address of Start
1	A[7:0]	A ₇	A ₆	A ₅	A ₄	A ₃	A ₂	A ₁	A ₀		B[7:0] : Row Address of Start
1	B[7:0]	B ₇	B ₆	B ₅	B ₄	B ₃	B ₂	B ₁	B ₀		C[7:0] : Column Address of End
1	C[7:0]	C ₇	C ₆	C ₅	C ₄	C ₃	C ₂	C ₁	C ₀		D[7:0] : Row Address of End
1	D[7:0]	D ₇	D ₆	D ₅	D ₄	D ₃	D ₂	D ₁	D ₀		E[7:0] : Line Color - CCCCCBBB
1	E[7:0]	E ₇	E ₆	E ₅	E ₄	E ₃	E ₂	E ₁	E ₀		F[7:0] : Line Color - BBBAAAAA
1	F[7:0]	F ₇	F ₆	F ₅	F ₄	F ₃	F ₂	F ₁	F ₀		* A < C < 132
1	F[7:0]	F ₇	F ₆	F ₅	F ₄	F ₃	F ₂	F ₁	F ₀		* B < D < 132
0	84	1	0	0	0	0	1	0	0	Draw Rectangle	A[7:0] : Column Address of Start
1	A[7:0]	A ₇	A ₆	A ₅	A ₄	A ₃	A ₂	A ₁	A ₀		B[7:0] : Row Address of Start
1	B[7:0]	B ₇	B ₆	B ₅	B ₄	B ₃	B ₂	B ₁	B ₀		C[7:0] : Column Address of End
1	C[7:0]	C ₇	C ₆	C ₅	C ₄	C ₃	C ₂	C ₁	C ₀		D[7:0] : Row Address of End
1	D[7:0]	D ₇	D ₆	D ₅	D ₄	D ₃	D ₂	D ₁	D ₀		E[7:0] : Line Color - CCCCCBBB
1	E[7:0]	E ₇	E ₆	E ₅	E ₄	E ₃	E ₂	E ₁	E ₀		F[7:0] : Line Color - BBBAAAAA
1	F[7:0]	F ₇	F ₆	F ₅	F ₄	F ₃	F ₂	F ₁	F ₀		G[7:0] : Fill Color - CCCCCBBB
1	G[7:0]	G ₇	G ₆	G ₅	G ₄	G ₃	G ₂	G ₁	G ₀		H[7:0] : Fill Color - BBBAAAAA
1	H[7:0]	H ₇	H ₆	H ₅	H ₄	H ₃	H ₂	H ₁	H ₀		* A < C < 132
1	H[7:0]	H ₇	H ₆	H ₅	H ₄	H ₃	H ₂	H ₁	H ₀	* B < D < 132	
0	86	1	0	0	0	0	1	1	0	Draw Circle	A[7:0] : Column Address of Centre
1	A[7:0]	A ₇	A ₆	A ₅	A ₄	A ₃	A ₂	A ₁	A ₀		B[7:0] : Row Address of Centre
1	B[7:0]	B ₇	B ₆	B ₅	B ₄	B ₃	B ₂	B ₁	B ₀		C[7:0] : Radius
1	C[7:0]	C ₇	C ₆	C ₅	C ₄	C ₃	C ₂	C ₁	C ₀		D[7:0] : Line Color - CCCCCBBB
1	D[7:0]	D ₇	D ₆	D ₅	D ₄	D ₃	D ₂	D ₁	D ₀		E[7:0] : Line Color - BBBAAAAA
1	E[7:0]	E ₇	E ₆	E ₅	E ₄	E ₃	E ₂	E ₁	E ₀		F[7:0] : Fill Color - CCCCCBBB
1	F[7:0]	F ₇	F ₆	F ₅	F ₄	F ₃	F ₂	F ₁	F ₀		G[7:0] : Fill Color – BBBAAAAA
1	G[7:0]	G ₇	G ₆	G ₅	G ₄	G ₃	G ₂	G ₁	G ₀		
0	8A	1	0	0	0	1	0	1	0	Copy	A[7:0] : Column Address of Start
1	A[7:0]	A ₇	A ₆	A ₅	A ₄	A ₃	A ₂	A ₁	A ₀		B[7:0] : Row Address of Start
1	B[7:0]	B ₇	B ₆	B ₅	B ₄	B ₃	B ₂	B ₁	B ₀		C[7:0] : Column Address of End
1	C[7:0]	C ₇	C ₆	C ₅	C ₄	C ₃	C ₂	C ₁	C ₀		D[7:0] : Row Address of End
1	D[7:0]	D ₇	D ₆	D ₅	D ₄	D ₃	D ₂	D ₁	D ₀		E[7:0] : Column Address of New Start

D/C	Hex	D7	D6	D5	D4	D3	D2	D2	D0	Command	Description
1	E[7:0]	E ₇	E ₆	E ₅	E ₄	E ₃	E ₂	E ₁	E ₀		F[7:0] : Row Address of New Start
1	F[7:0]	F ₇	F ₆	F ₅	F ₄	F ₃	F ₂	F ₁	F ₀		* A < C < 132 * B < D < 132
0	8C	1	0	0	0	1	1	0	0		A[7:0] : Column Address of Start
1	A[7:0]	A ₇	A ₆	A ₅	A ₄	A ₃	A ₂	A ₁	A ₀	Dim Window	B[7:0] : Row Address of Start
1	B[7:0]	B ₇	B ₆	B ₅	B ₄	B ₃	B ₂	B ₁	B ₀		C[7:0] : Column Address of End
1	C[7:0]	C ₇	C ₆	C ₅	C ₄	C ₃	C ₂	C ₁	C ₀		D[7:0] : Row Address of End
1	D[7:0]	D ₇	D ₆	D ₅	D ₄	D ₃	D ₂	D ₁	D ₀		* A < C < 132 * B < D < 132
0	8E	1	0	0	0	1	1	1	0		A[7:0] : Column Address of Start
1	A[7:0]	A ₇	A ₆	A ₅	A ₄	A ₃	A ₂	A ₁	A ₀	Clear Window	B[7:0] : Row Address of Start
1	B[7:0]	B ₇	B ₆	B ₅	B ₄	B ₃	B ₂	B ₁	B ₀		C[7:0] : Column Address of End
1	C[7:0]	C ₇	C ₆	C ₅	C ₄	C ₃	C ₂	C ₁	C ₀		D[7:0] : Row Address of End
1	D[7:0]	D ₇	D ₆	D ₅	D ₄	D ₃	D ₂	D ₁	D ₀		* A < C < 132 * B < D < 132
0	92	1	0	0	1	0	0	1	0		A0 0 : Disable Fill for Draw Rectangle/Circle Command [reset]
1	A[5:0]	*	*	A ₅	A ₄	A ₃	A ₂	A ₁	A ₀	Fill Enable / Disable	1 : Enable Fill for Draw Rectangle/Circle Command
											A4 0 : Disable reverse copy, reset] 1 : Enable reverse during copying.
											A5 0 : Disable x-wrap, [reset] 1 : Enable wrap around in x-direction during copying
0	96	1	0	0	1	0	1	1	0		A[7:0] : 1~124 horizontal offset in number of Column Invalid entry for value larger than 124 0 no horizontal scroll
1	A[7:0]	A ₇	A ₆	A ₅	A ₄	A ₃	A ₂	A ₁	A ₀	Horizontal Scroll	B[7:0] : start row address
1	B[7:0]	B ₇	B ₆	B ₅	B ₄	B ₃	B ₂	B ₁	B ₀		C[7:0] : number of rows to be H-scrolled B+C <= 132
1	C[7:0]	C ₇	C ₆	C ₅	C ₄	C ₃	C ₂	C ₁	C ₀		D[7:0] : Reserved
1	D[7:0]	D ₇	D ₆	D ₅	D ₄	D ₃	D ₂	D ₁	D ₀		E[1:0] : scrolling time interval 0 test mode 1 normal 2 slow 3 slowest
1	E[1:0]	*	*	*	*	*	*	E ₁	E ₀		Note : operates during display on.
0	9E	1	0	0	1	1	1	1	0	Stop Moving	
0	9F	1	0	0	1	1	1	1	1	Start Moving	

9. COMMAND DESCRIPTIONS

Set Column Address (15h)

This command specifies column start address and end address of the display data RAM. This command also sets the column address pointer to column start address. This pointer is used to define the current read/write column address in graphic display data RAM. If horizontal address increment mode is enabled by command A0h, after finishing read/write one column data, it is incremented automatically to the next column address. Whenever the column address pointer finishes accessing the end column address, it is reset back to start column address.

Set Row Address (75h)

This command specifies row start address and end address of the display data RAM. This command also sets the row address pointer to row start address. This pointer is used to define the current read/write row address in graphic display data RAM. If vertical address increment mode is enabled by command A0h, after finishing read/write one row data, it is incremented automatically to the next row address. Whenever the row address pointer finishes accessing the end row address, it is reset back to start row address.

For example, column start address is set to 2 and column end address is set to 129, row start address is set to 1 and row end address is set to 130. Horizontal address increment mode is enabled by command A0h. In this case, the graphic display data RAM column accessible range is from column 2 to column 129 and from row 1 to row 130 only. In addition, the column address pointer is set to 2 and row address pointer is set to 1. After finishing read/write one pixel of data, the column address is increased automatically by 1 to access the next RAM location for next read/write operation. Whenever the column address pointer finishes accessing the end column 129, it is reset back to column 2 and row address is automatically increased by 1. While the end row 130 and end column 129 RAM location is accessed, the row address is reset back to 1. The diagram below shows the way of column and row address pointer movement for this example.

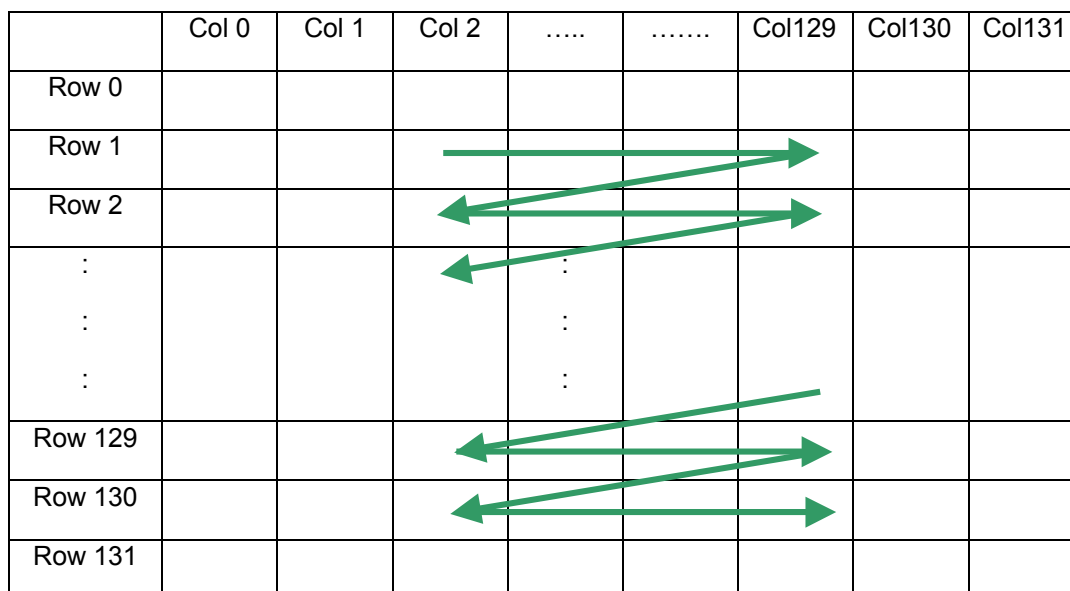


Figure 20 – Example of column and row address pointer movement

Write RAM Command (5Ch)

After this single byte command, data entries will be written into the display RAM until another command is written. Address pointer is increased accordingly. This command must be sent before write data into RAM.

Read RAM Command (5Dh)

After this single byte command, data is read from display RAM until another command is written. Address pointer is increased accordingly. This command must be sent before read data from RAM.

Set Re-map & Color Depth (A0h)

This command has multiple configurations and each bit setting is described as follows.

- Address increment mode (A[0])
When it is set to 0, the driver is set as horizontal address increment mode. After the display RAM is read/written, the column address pointer is increased automatically by 1. If the column address pointer reaches column end address, the column address pointer is reset to column start address and row address pointer is increased by 1. The sequence of movement of the row and column address point for horizontal address increment mode is shown in Figure 21.

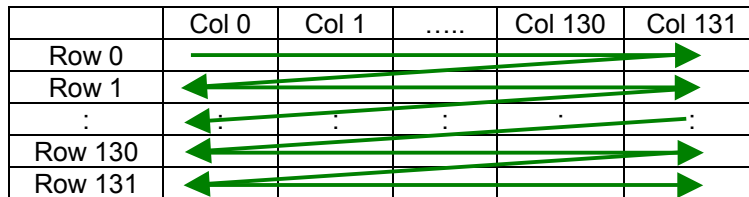


Figure 21 – Address pointer movement of horizontal address increment mode

When A[0] is set to 1, the driver is set to vertical address increment mode. After the display RAM is read/written, the row address pointer is increased automatically by 1. If the row address pointer reaches the row end address, the row address pointer is reset to row start address and column address pointer is increased by 1. The sequence of movement of the row and column address point for vertical address increment mode is shown in Figure 22.

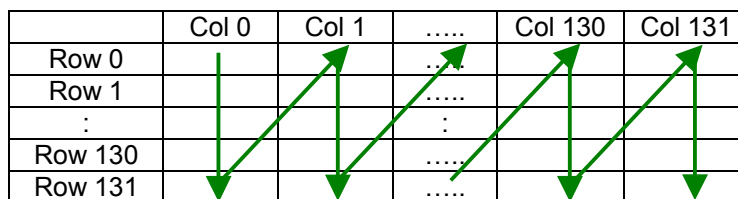


Figure 22 – Address pointer movement of vertical address increment mode

- Column Address Mapping (A[1])
This command bit is made for flexible layout of segment signals in OLED module with segment arranged from left to right or vice versa.
- Color Remap (A[2])
This command bit is made for flexible layout of color sequence A → B → C or C → B → and A.

- MCU interface selection (A[3])
This command bit is made for setting the 6800 or 8080 parallel bus interface for to either 8/16-bit or 9/18-bit.
- COM Remap (A[4])
This bit determines the scanning direction of the common for flexible layout of common signals in OLED module either from up to down or vice versa.
- Odd even split of COM pins (A[5])
This bit can set the odd even arrangement of COM pins.
A[5] = 0: Disable COM split odd even, pin assignment of common is in sequential as
COM131 COM129 COM 33 COM32..SC131..SA0..COM0 COM1.... COM30 COM31
A[5] = 1: Enable COM split odd even, pin assignment of common is in odd even split as
COM131 COM129.... COM3 COM1..SC131..SA0..COM0 COM2.... COM60 COM62
- Display color mode (A[7:6])
Select either 262k, 65k or 256 color mode.

In 262k colors mode, if 16-bit MCU interface is selected, there are two communication modes. In mode 1, one pixel data is transmitted in two 16-bit words. In mode 2, one communication session is consisted of three 16-bit words to transmit two pixel data. Please refer to section "Data access in 262k colors mode" for details. In all other 8/9/18-bit parallel or SPI MCU interfaces, there is no difference between mode 1 and mode 2 selections.

The display RAM data format in different mode is described in section "Graphic Display Data RAM (GDDRAM)".

Set Display Start Line (A1h)

This command is to set Display Start Line register to determine starting address of display RAM to be displayed by selecting a value from 0 to 131. The figure below shows an example of this command. In there, "Row" means the graphic display data RAM row.

	132	132	130	130	Mux ratio
COM Pin	0	4	0	4	Display start line
COM0	Row0	Row4	Row0	Row4	
COM1	Row1	Row5	Row1	Row5	
COM2	Row2	Row6	Row2	Row6	
COM3	Row3	Row7	Row3	Row7	
:	:	:	:	:	
:	:	:	:	:	
COM125	Row125	Row129	Row125	Row129	
COM126	Row126	Row130	Row126	Row130	
COM127	Row127	Row131	Row127	Row131	
COM128	Row128	Row0	Row128	Row0	
COM129	Row129	Row1	Row129	Row1	
COM130	Row130	Row2	-	-	
COM131	Row131	Row3	-	-	

Figure 23 – Example of set display start line with no remap

Set Display Offset (A2h)

This command specifies the mapping of display start line (it is assumed that COM0 is the display start line, display start line register equals to 0) to one of COM0-131. The figure below shows an example of this command. In there, "Row" means the graphic display data RAM row.

	132	132	130	130	Mux ratio
COM Pin	0	4	0	4	Display offset
COM0	Row0	Row4	Row0	Row4	
COM1	Row1	Row5	Row1	Row5	
COM2	Row2	Row6	Row2	Row6	
COM3	Row3	Row7	Row3	Row7	
:	:	:	:	:	
:	:	:	:	:	
COM125	Row125	Row129	Row125	Row129	
COM126	Row126	Row130	Row126	-	
COM127	Row127	Row131	Row127	-	
COM128	Row128	Row0	Row128	Row0	
COM129	Row129	Row1	Row129	Row1	
COM130	Row130	Row2	-	Row2	
COM131	Row131	Row3	-	Row3	

Figure 24 – Example of set display offset with no remap

Set Display Mode (A4h ~ A7h)

These are single byte command and they are used to set Normal Display, Entire Display On, Entire Display Off and Inverse Display.

- Set Entire Display On (A5h)
Forces the entire display to be at "GS63" regardless of the contents of the display data RAM.
- Set Entire Display Off (A4h)
Forces the entire display to be at gray level "GS0" regardless of the contents of the display data RAM.
- Inverse Display (A7h)
The gray level of display data are swapped such that "GS0" <-> "GS63", "GS1" <-> "GS62",
- Normal Display (A6h)
Reset the above effect and turn the data to ON at the corresponding gray level.

Master Configuration (ADh)

This command contains multiple bits to control several functionalities of the driver.

- Select DC-DC converter (A[0])
0 = Disable selection of DC-DC converter and VCC is supplied externally.
1 (POR) = Enable selection of DC-DC converter to supply high voltage to VCC. The output voltage of the converter is set by values of external resistors. Please refer to section "DC-DC Voltage Converter" for details.
- Select V_{COMH} supply (A[1])
0 = Select external V_{COMH} voltage from V_{COMH} pin for the common waveform high voltage level supply. It is recommended to set the voltage of V_{COMH} such that the OLED pixel diode is not turned on (prefer in reverse bias state) when the segment pin is either driven to V_{PA} , V_{PB} or V_{PC} level.
1 = Select internal V_{COMH} voltage generated by regulator from V_{REF} . The level of V_{COMH} can be programmed by command BEh.
- Select pre-charge voltage supply (A[2])
0 = Select pre-charge voltage sources from external pins V_{PA} , V_{PB} , V_{PC} for color A, B and C respectively.
1 = Select pre-charge voltage supply internally. The level of V_{PA} , V_{PB} , V_{PC} can be set by command BBh for color A, B and C respectively.

Set Sleep mode On/Off (AEh/AFh)

These single byte commands are used to turn the OLED panel display on or off. When the display is on, the selected circuits by Set Master Configuration command will be turned on. When the display is off, those circuits will be turned off and the segment and common output are in high impedance state.

Power Saving Mode (B0h)

This command sets the driver IC either in normal power mode and power saving mode.

Set Reset (Phase 1)/ Pre-charge (Phase 2) period (B1h)

This command sets the length of phase 1 and 2 of segment waveform of the driver.

- Phase 1 (A[3:0]): Set the period from 1 to 16 in the unit of DCLKs. A larger capacitance of the OLED pixel may require longer period to discharge the previous data charge completely.
- Phase 2 (A[7:4]): Set the period from 1 to 16 in the unit of DCLKs. A longer period is needed to charge up a larger capacitance of the OLED pixel to the target voltage V_{PA} , V_{PB} , V_{PC} for color A, B and C respectively.

Front Clock Divider (DivSet)/ Oscillator Frequency (B3h)

This command consists of two functions:

- Display Clock Divide Ratio (A[3:0])
Set the divide ratio to generate DCLK (Display Clock) from CLK. The divide ratio is from 1 to 16, with power on reset value = 1. Please refer to section "Oscillator Circuit and Display Time Generator" for the details of DCLK and CLK.
- Oscillator Frequency (A[7:4])
Program the oscillator frequency Fosc which is the source of CLK if CLS pin is pulled high. The 4-bit value results in 16 different frequency setting available as shown below. The default value is 1101b.

Look Up Table for Gray Scale Pulse width (B8h)

This command is used to set the gray scale table for the display. Except gray scale entry 0, which is zero as it has no pre-charge and current drive, each odd entry gray scale level is programmed in the length of current drive stage pulse width with unit of DCLK. The longer the length of the pulse width, the brighter is the OLED pixel when it's turned on. Please refer to section "Graphic Display Data RAM (GDDRAM)" for more detailed explanation of relation of display data RAM, gray scale table and the pixel brightness.

Following the command B8h, the user has to set the pulse width from PW1, PW3, PW5, ..., PW59, PW61, PW63 one by one in sequence and complies the following conditions.

$$PW1 > 0; PW3 > PW1 + 1; PW5 > PW3 + 1; \dots$$

Afterwards, the driver automatically derives the pulse width of even entry of gray scale table PW2, PW4, ..., PW62 with the formula like below.

$$PWn = (PW_{n-1} + PW_{n+1}) / 2$$

For example, if PW1 = 3 DCLKs and PW3 = 7 DCLKs, PW2 = (3+7)/2 = 5 DCLKs

The setting of gray scale table entry can perform gamma correction on OLED panel display. Normally, it is desired that the brightness response of the panel is linearly proportional to the image data value in display data RAM. However, the OLED panel is somehow responded in non-linear way. Appropriate gray scale table setting like example below can compensate this effect.

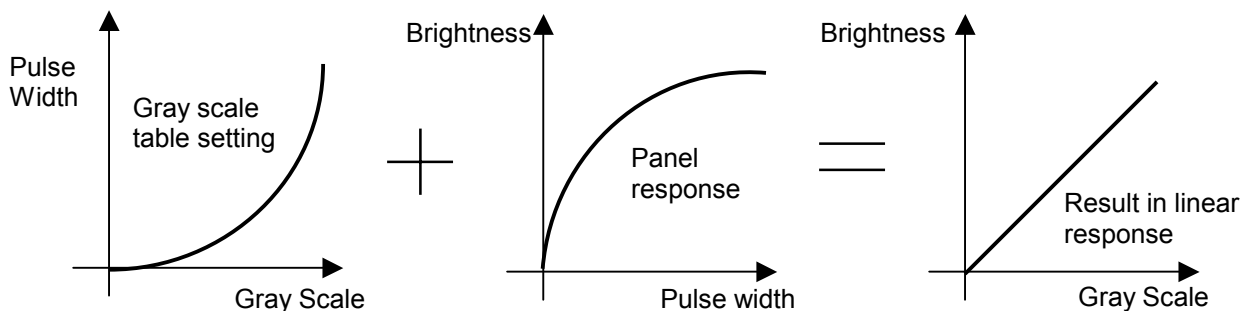


Figure 25 – Example of gamma correction by gray scale table setting

Use Built-in Linear LUT (B9h)

This command reloads the preset linear gray scale table as PW1 = 1, PW2 = 3, PW3 = 5, ..., PW62 = 123, PW63 = 125 DCLKs.

Set Pre-charge voltage of Color A, B and C (BBh)

This command is used to set V_{PA} , V_{PB} and V_{PC} phase 2 voltage level for color A, B and C respectively. The command is valid in condition that these voltages are selected to generate internally by command ADh. It can be programmed to set the pre-charge voltage reference to V_{REF} or V_{COMH} . Voltage level increases linearly when set value increases.

Set V_{COMH} (BEh)

This command sets the high voltage level of common pins, V_{COMH} , when it is selected to generate internally by command ADh. The level of V_{COMH} is programmed with reference to V_{REF} . Voltage level increases linearly when set value increases.

Contrast Current for Color A, B, C (C1h)

This command is to set Contrast Current of each color A, B and C. The chip has three contrast control circuits for color A, B and C. Each contrast circuit has 256 contrast steps from 00h to FFh. The segment output current I_{SEG} increases linearly with the contrast step, which results in brighter of the color. This relation is shown in Figure 26. In many situations, the output brightness of color A, B and C pixels are different under the same segment current condition. The contrasts of color A, B and C are set such that the brightness of each color are the same on the OLED panel

Master Contrast Current Control (C7h)

This command is to control the segment output current by a scale factor. This factor is common to color A, B and C. The chip has 16 master control steps. The factor is ranged from 1 [0000] to 16 [1111]. POR is 16 [1111]. The smaller the master current value, the dimmer the OLED panel display is set. For example, if original segment output current of a color is 160uA at scale factor = 16, setting scale factor to 8 to reduce the current to 80uA. Please see Figure 26.

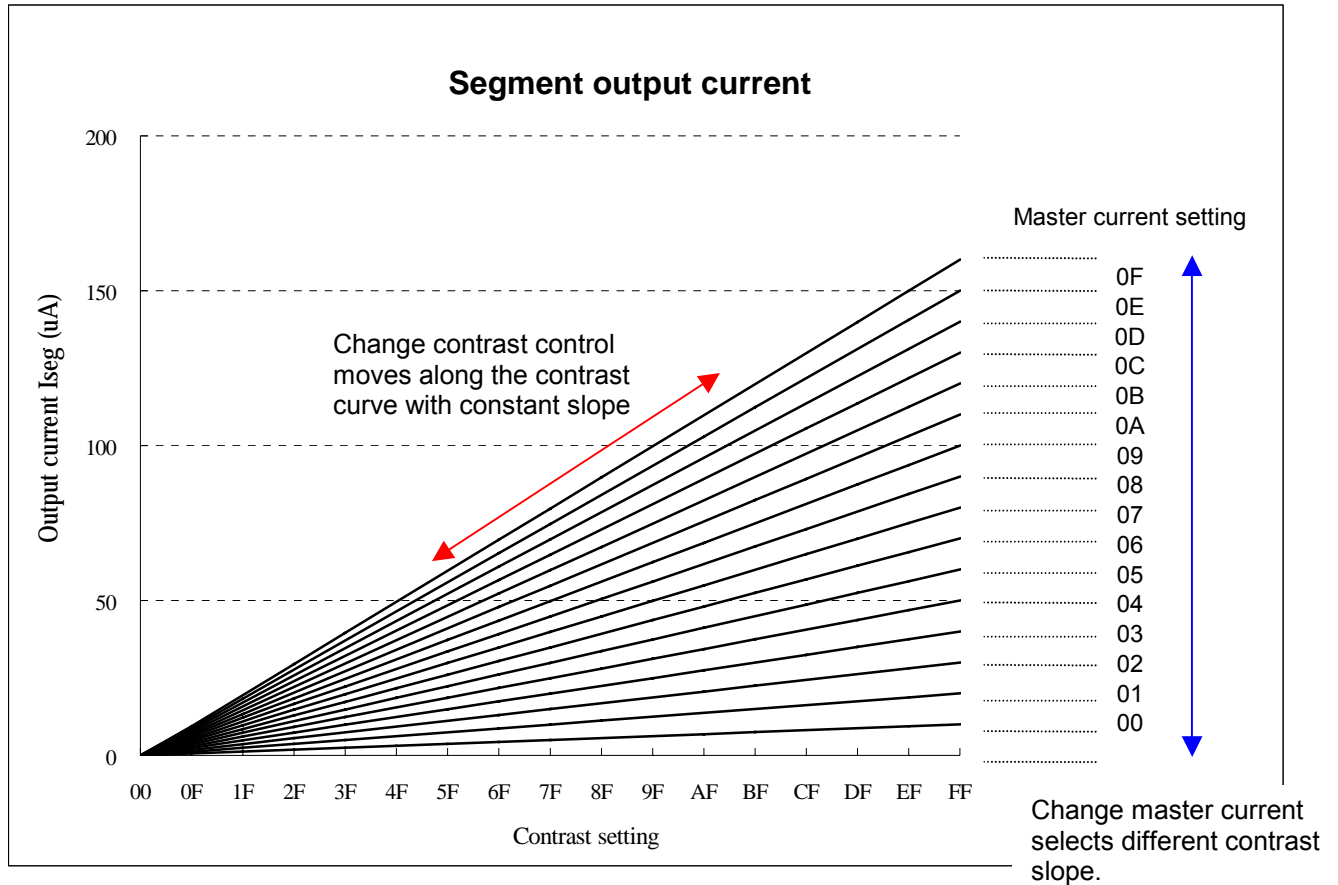


Figure 26 – Segment output current for different contrast control and master current setting

Set Multiplex Ratio (CAh)

This command switches default 1:132 multiplex mode to any multiplex mode from 16 to 132. For example, when multiplex ratio is set to 16, only 16 common pins are enabled. The starting and the ending of the enabled common pins are depended on the setting of “Display Offset” register programmed by command A2h.

Graphic Acceleration command set description

Draw Line (83h)

This command draws a line by the given start, end column and row coordinates and the color of the line.

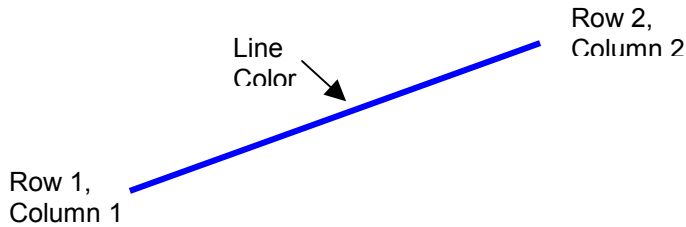


Figure 27 – Example of draw line command

For example, the line above can be drawn by the following command sequence.

1. Enter into draw line mode by command 21h
2. Send column start address of line, column1, for example = 1h
3. Send row start address of line, row 1, for example = 10h
4. Send column end address of line, column 2, for example = 28h
5. Send row end address of line, row 2, for example = 4h
6. Send color C, B and A of line, for example = 35d, 0d, 0d for blue color

Draw Rectangle (84h)

Given the starting point (Row 1, Column 1) and the ending point (Row 2, Column 2), specify the outline and fill area colors, a rectangle that will be drawn with the color specified. Remarks: If fill color option is disabled, the enclosed area will not be filled.

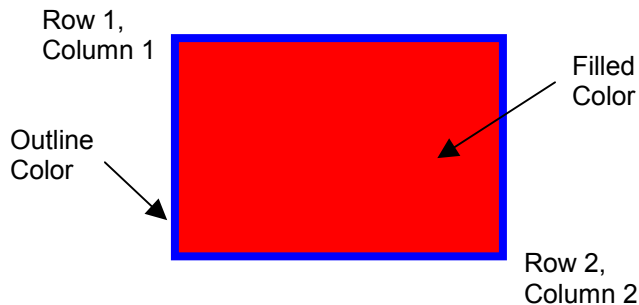


Figure 28 – Example of draw rectangle command

The following example illustrates the rectangle drawing command sequence.

1. Enter the "draw rectangle mode" by execute the command 22h
2. Set the starting column coordinates, Column 1. e.g., 03h.
3. Set the starting row coordinates, Row 1. e.g., 02h.
4. Set the finishing column coordinates, Column 2. e.g., 12h
5. Set the finishing row coordinates, Row 2. e.g., 15h
6. Set the outline color C, B and A. e.g., (28d, 0d, 0d) for blue color
7. Set the filled color C, B and A. e.g., (0d, 0d, 40d) for red color

Draw Circle (86h)

By providing the center coordination (column and row address) and radius length, specify the outline and fill area colors, a circle will be drawn with the colors specified.

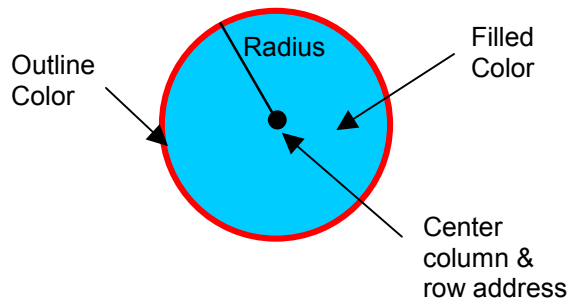


Figure 29 – Example of draw circle command

The following example illustrates the circle drawing command sequence.

1. Enter the “draw circle mode” by execute the command 86h
2. Set the circle center column coordinates, e.g., 03h.
3. Set the circle center row coordinates. e.g., 10h.
4. Set the radius of circle. e.g., 12h
5. Set the outline color C, B and A. e.g., (0d, 0d, 40d) for red color
6. Set the filled color C, B and A. e.g., (28d, 0d, 0d) for blue color

Copy (8Ah)

Copy the rectangular region defined by the starting point (Row 1, Column 1) and the ending point (Row 2, Column 2) to location (Row 3, Column 3). If the new coordinates are smaller than the ending points, the new image will overlap the original one.

The following example illustrates the copy procedure.

1. Enter the "copy mode" by execute the command 23h
2. Set the starting column coordinates, Column 1. E.g., 00h.
3. Set the starting row coordinates, Row 1. E.g., 00h.
4. Set the finishing column coordinates, Column 2. E.g., 05h
5. Set the finishing row coordinates, Row 2. E.g., 05h
6. Set the new column coordinates, Column 3. E.g., 03h
7. Set the new row coordinates, Row 3. E.g., 03h

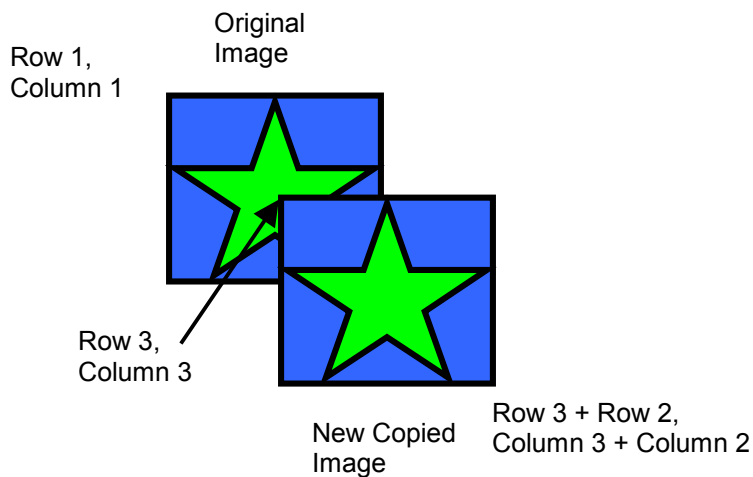


Figure 30 – Example of copy command

Dim Window (8Ch)

This command will dim the window area specify by starting point (Row 1, Column 1) and the ending point (Row 2, Column 2). After the execution of this command, the selected window area will become darker as follow.

Table 5 – Result of change of brightness by dim window command

Original gray scale	New gray scale after dim window command
GS0 ~ GS15	No change
GS16 ~ GS19	GS4
GS20 ~ GS23	GS5
:	:
GS60 ~ GS63	GS15

Additional execution of this command over the same window area will not change the data content.

Clear Window (8Eh)

This command sets the window area specify by starting point (Row 1, Column 1) and the ending point (Row 2, Column 2) to clear the window display. The graphic display data RAM content of the specified window area will be set to zero.

This command can be combined with Copy command to make as a “move” result. The following example illustrates the copy plus clear procedure and results in moving the window object.

1. Enter the “copy mode” by execute the command 23h
2. Set the starting column coordinates, Column 1. E.g., 00h.
3. Set the starting row coordinates, Row 1. E.g., 00h.
4. Set the finishing column coordinates, Column 2. E.g., 05h
5. Set the finishing row coordinates, Row 2. E.g., 05h
6. Set the new column coordinates, Column 3. E.g., 06h
7. Set the new row coordinates, Row 3. E.g., 06h
8. Enter the “clear mode” by execute the command 24h
9. Set the starting column coordinates, Column 1. E.g., 00h.
10. Set the starting row coordinates, Row 1. E.g., 00h.
11. Set the finishing column coordinates, Column 2. E.g., 05h
12. Set the finishing row coordinates, Row 2. E.g., 05h

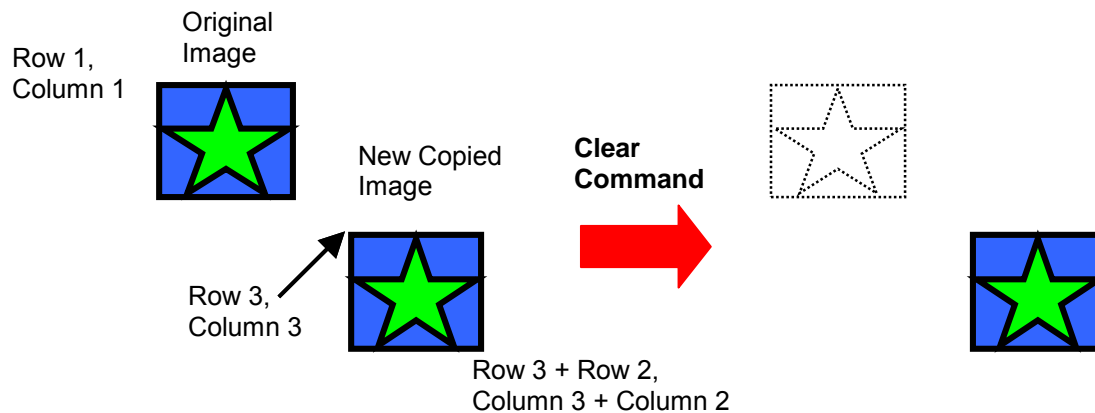


Figure 31 – Example of copy + clear = Move command

Fill Enable/Disable (92h)

This command has two functions.

- Enable/Disable fill (A[0])
 - 0 = Disable filling of color into rectangle in draw rectangle command. (POR)
 - 1 = Enable filling of color into rectangle in draw rectangle command.
- Enable/Disable reverse copy (A[4])
 - 0 = Disable reverse copy (POR)
 - 1 = During copy command, the new image colors are swapped such that “GS0” <-> “GS63”, “GS1” <-> “GS62”,

Horizontal Scroll (96h)

This command consists of 5 consecutive bytes to set up the horizontal scroll parameters. It determined the scrolling start page, end page and the scrolling speed.

Before issuing this command, the horizontal scroll must be deactivated (9Eh). Otherwise, RAM content may be corrupted.

Stop Moving (9Eh)

Stop motion of horizontal scrolling.

Start Moving (9Fh)

Start motion of horizontal scrolling. This command should only be issued after Horizontal scroll setup parameters are defined.

The following actions are prohibited after the horizontal scroll is activated

1. RAM access (Data write or read)
2. Changing horizontal scroll setup parameters

The SSD1339 horizontal scroll is designed for 132 columns scrolling

10. MAXIMUM RATINGS

Table 6 – Maximum ratings

(Voltage Reference to V_{SS})

Symbol	Parameter	Value	Unit
V_{DD}	Supply Voltage	-0.3 to +4	V
V_{CC}		0 to 18	V
V_{REF}		0 to 18	V
V_{COMH}	Supply Voltage/Output voltage	0 to 16	V
-	SEG/COM output voltage	0 to 16	V
V_{in}	Input voltage	$V_{SS}-0.3$ to $V_{DD}+0.3$	V
T_A	Operating Temperature	-40 to +90	°C
T_{stg}	Storage Temperature Range	-65 to +150	°C

*Maximum Ratings are those values beyond which damage to the device may occur. Functional operation should be restricted to the limits in the Electrical Characteristics tables or Pin Description.

11. DC CHARACTERISTICS

Table 7 – DC characteristics

(Unless otherwise specified, Voltage Referenced to V_{SS} , $V_{DD} = 2.4$ to $3.5V$, $T_A = 25^\circ C$)

Symbol	Parameter	Test Condition	Min	Typ	Max	Unit
V_{CC}	Operating Voltage		7	11	18	V
V_{DD}	Logic Supply Voltage		2.4	2.7	3.5	V
V_{DDIO}	Power Supply for I/O pins		1.5	2.7	3.5	V
V_{OH}	High Logic Output Level	$I_{out} = 100\mu A$, 3.3MHz	$0.9 \cdot V_{DDIO}$	-	V_{DDIO}	V
V_{OL}	Low Logic Output Level	$I_{out} = 100\mu A$, 3.3MHz	0	-	$0.1 \cdot V_{DDIO}$	V
V_{IH}	High Logic Input Level	$I_{out} = 100\mu A$, 3.3MHz	$0.8 \cdot V_{DDIO}$	-	V_{DDIO}	V
V_{IL}	Low Logic Input Level	$I_{out} = 100\mu A$, 3.3MHz	0	-	$0.2 \cdot V_{DDIO}$	V
I_{SLEEP}	Sleep mode Current	VDD=2.7V, Display OFF, No panel attached	-	-	5	μA
I_{CC}	V_{CC} Supply Current	VDD=3.0V, VCC=18V, Display ON Contrast =FF, No panel attached	-	1.3	-	mA
I_{DD}	V_{DD} Supply Current	VDD=3.0V, VCC=18V, Display ON Contrast =FF, No panel attached	-	0.4	-	mA
I_{SEG}	Segment Output Current Setting VDD=2.7V, VCC=11V, IREF=10 μA , All one pattern, Display on, Segment pin under test is connected with a 20K Ω resistive load to Vcc.	Contrast = FF	-	160	-	μA
		Contrast = AF	-	110	-	μA
		Contrast = 5F	-	60	-	μA
		Contrast = 00	-	0	-	μA
Dev	Segment output current uniformity	$Dev = (I_{SEG} - I_{MID}) / I_{MID}$ $I_{MID} = (I_{MAX} + I_{MIN}) / 2$ $I_{SEG}[0:395] =$ Segment current at contrast = FF	-	-	3	%
Adj. Dev	Adjacent pin output current uniformity (contrast = FF)	$Adj\ Dev = (I[n] - I[n+1]) / (I[n] + I[n+1])$	-	± 2.0	--	%
V_{CC}	Booster output voltage (Vcc)	$V_{in} = 3V$, L=22 μH ; R1=450Kohm; R2=50Kohm; $I_{cc} = 30mA$ (soaking)	-	12	-	V

12. AC CHARACTERISTICS

Table 8 – AC characteristics

(Unless otherwise specified, Voltage Referenced to V_{SS} , $V_{DD} = 2.4$ to $3.5V$, $T_A = 25^\circ C$.)

Symbol	Parameter	Test Condition	Min	Typ	Max	Unit
F_{OSC}	Oscillation Frequency of Display Timing Generator	Vdd = 2.7V	-	2.0	-	MHz
F_{FRM}	Frame Frequency for 132 MUX Mode	132RGB x 132 Graphic Display Mode, Display ON, Internal Oscillator Enabled	-	$F_{OSC} \times \frac{1}{(D \times K \times 132)}$	-	Hz

D: divide ratio (POR =1)

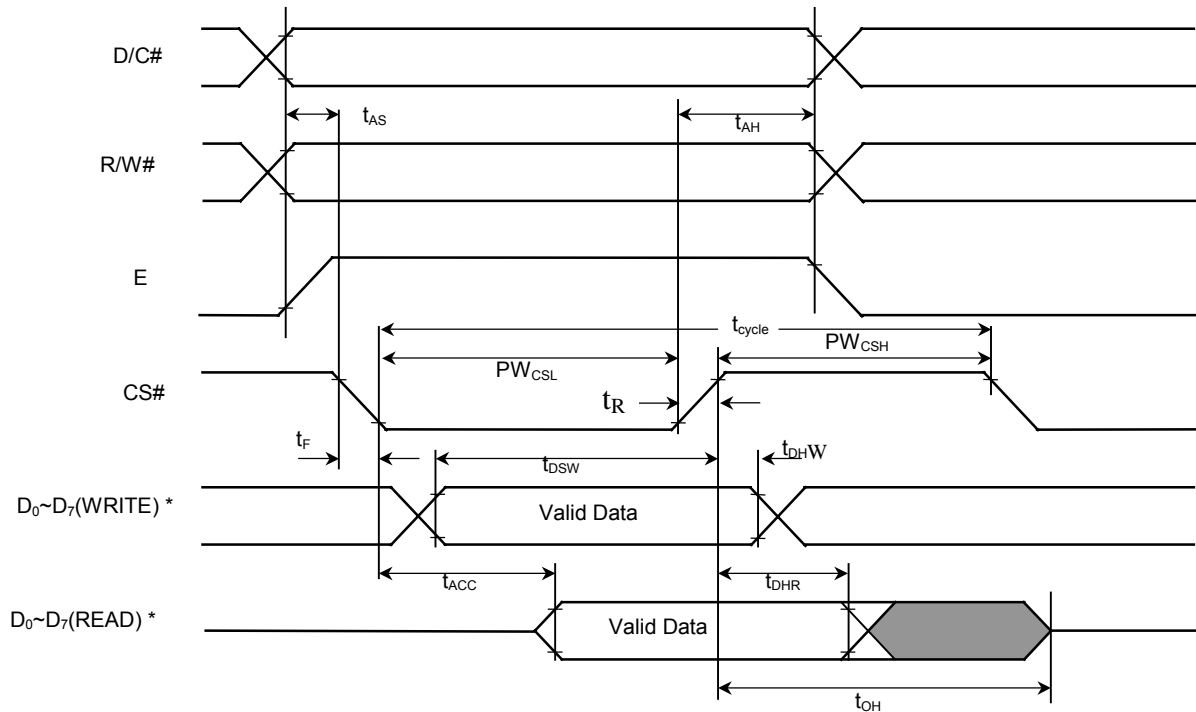
K: number of display clocks (POR=136, i.e. phase1 dclk+phase2 dclk+ phase3 dclk=4+7+125)

Refer to command table for detail description

Table 9 – 6800-Series MPU parallel interface timing characteristics

($V_{DD} - V_{SS} = 2.4$ to $3.5V$, $T_A = 25^\circ C$)

Symbol	Parameter	Min	Typ	Max	Unit
t_{cycle}	Clock Cycle Time	300	-	-	ns
t_{AS}	Address Setup Time	0	-	-	ns
t_{AH}	Address Hold Time	0	-	-	ns
t_{DSW}	Write Data Setup Time	40	-	-	ns
t_{DHW}	Write Data Hold Time	15	-	-	ns
t_{DHR}	Read Data Hold Time	20	-	-	ns
t_{OH}	Output Disable Time	-	-	70	ns
t_{ACC}	Access Time	-	-	140	ns
PW_{CSL}	Chip Select Low Pulse Width (read)	120	-	-	ns
	Chip Select Low Pulse Width (write)	60	-	-	ns
PW_{CSH}	Chip Select High Pulse Width (read)	60	-	-	ns
	Chip Select High Pulse Width (write)	60	-	-	ns
t_R	Rise Time	-	-	15	ns
t_F	Fall Time	-	-	15	ns



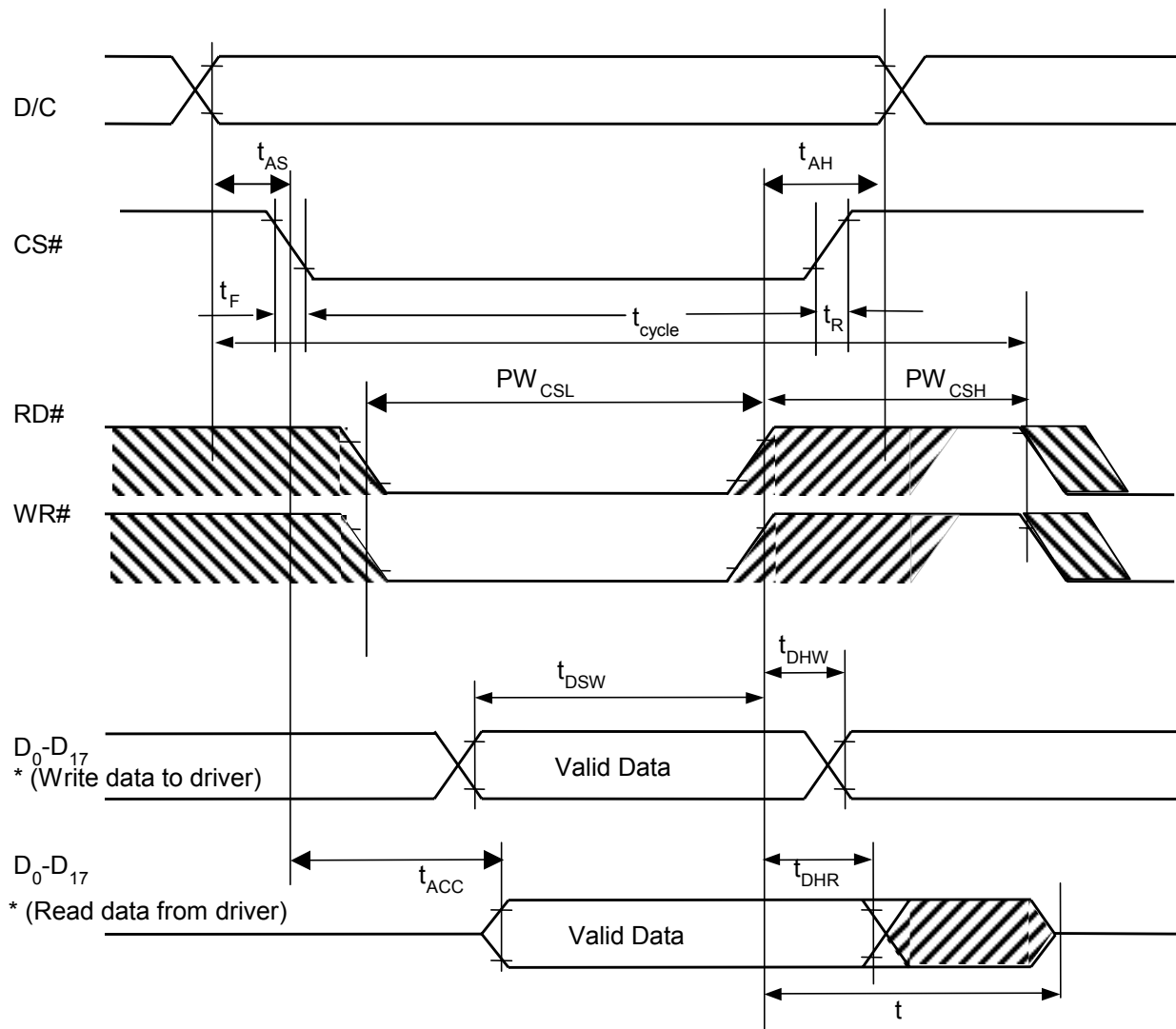
* when 9 bit used: $D_0 \sim D_8$ instead; when 16 bit used: $D_0 \sim D_{15}$ instead; when 18 bit used: $D_0 \sim D_{17}$ instead.

Figure 32 – 6800-series MPU parallel interface characteristics

Table 10 – 8080-Series MPU parallel interface timing characteristics

($V_{DD} - V_{SS} = 2.4$ to $3.5V$, $T_A = 25^\circ C$)

Symbol	Parameter	Min	Typ	Max	Unit
t_{cycle}	Clock Cycle Time	300	-	-	ns
t_{AS}	Address Setup Time	0	-	-	ns
t_{AH}	Address Hold Time	0	-	-	ns
t_{DSW}	Write Data Setup Time	40	-	-	ns
t_{DHW}	Write Data Hold Time	15	-	-	ns
t_{DHR}	Read Data Hold Time	20	-	-	ns
t_{OH}	Output Disable Time	-	-	70	ns
t_{ACC}	Access Time	-	-	140	ns
PW_{CSL}	Chip Select Low Pulse Width (read) Chip Select Low Pulse Width (write)	120 60	-	-	ns
PW_{CSH}	Chip Select High Pulse Width (read) Chip Select High Pulse Width (write)	60 60	-	-	ns
t_R	Rise Time	-	-	15	ns
t_F	Fall Time	-	-	15	ns



* when 8 bit used: $D_0 \sim D_7$ instead; when 9 bit used: $D_0 \sim D_8$ instead; when 16 bit used: $D_0 \sim D_{15}$ instead; when 18 bit used: $D_0 \sim D_{17}$ instead.

Figure 33 – 8080-series MPU parallel interface characteristics

Table 11 – Serial interface timing characteristics

($V_{DD} - V_{SS} = 2.4$ to $3.5V$, $T_A = 25^\circ C$)

Symbol	Parameter	Min	Typ	Max	Unit
t_{cycle}	Clock Cycle Time	250	-	-	ns
t_{AS}	Address Setup Time	150	-	-	ns
t_{AH}	Address Hold Time	150	-	-	ns
t_{CSS}	Chip Select Setup Time	120	-	-	ns
t_{CSH}	Chip Select Hold Time	60	-	-	ns
t_{DSW}	Write Data Setup Time	100	-	-	ns
t_{DHW}	Write Data Hold Time	100	-	-	ns
t_{CLKL}	Clock Low Time	100	-	-	ns
t_{CLKH}	Clock High Time	100	-	-	ns
t_R	Rise Time	-	-	15	ns
t_F	Fall Time	-	-	15	ns

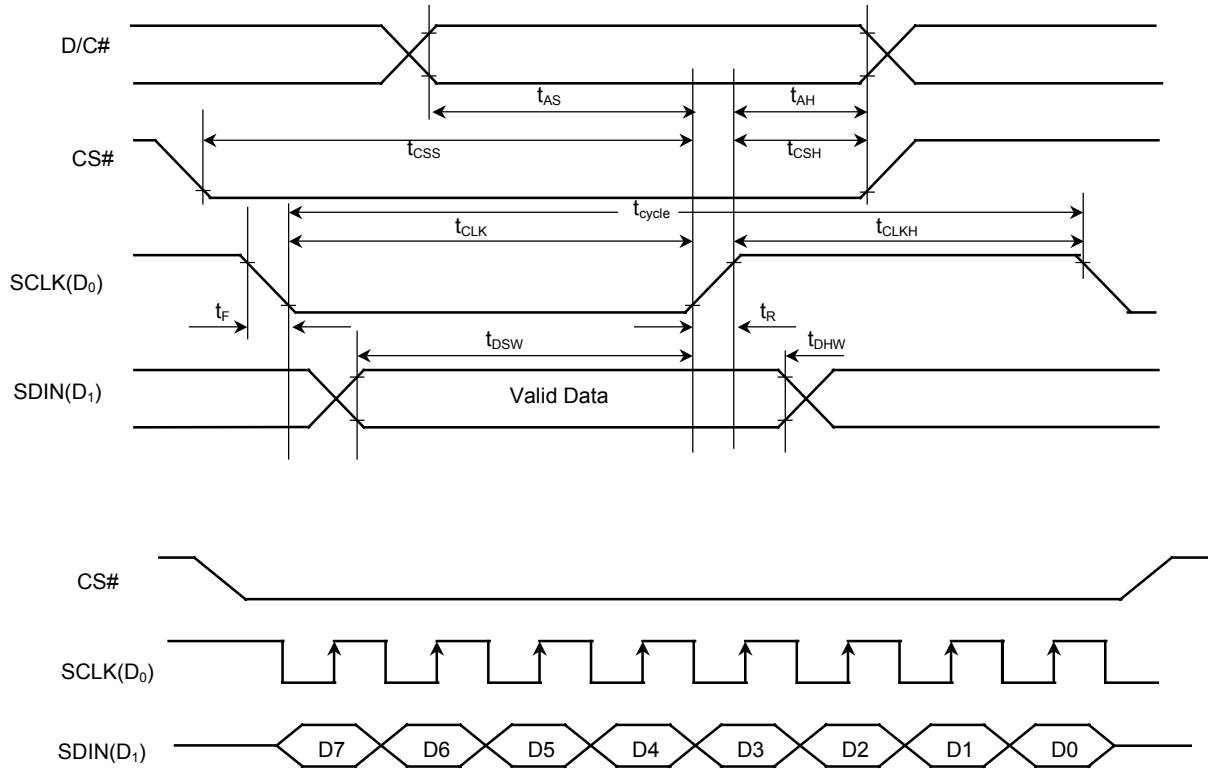


Figure 34 – Serial interface characteristics

13. APPLICATION EXAMPLE

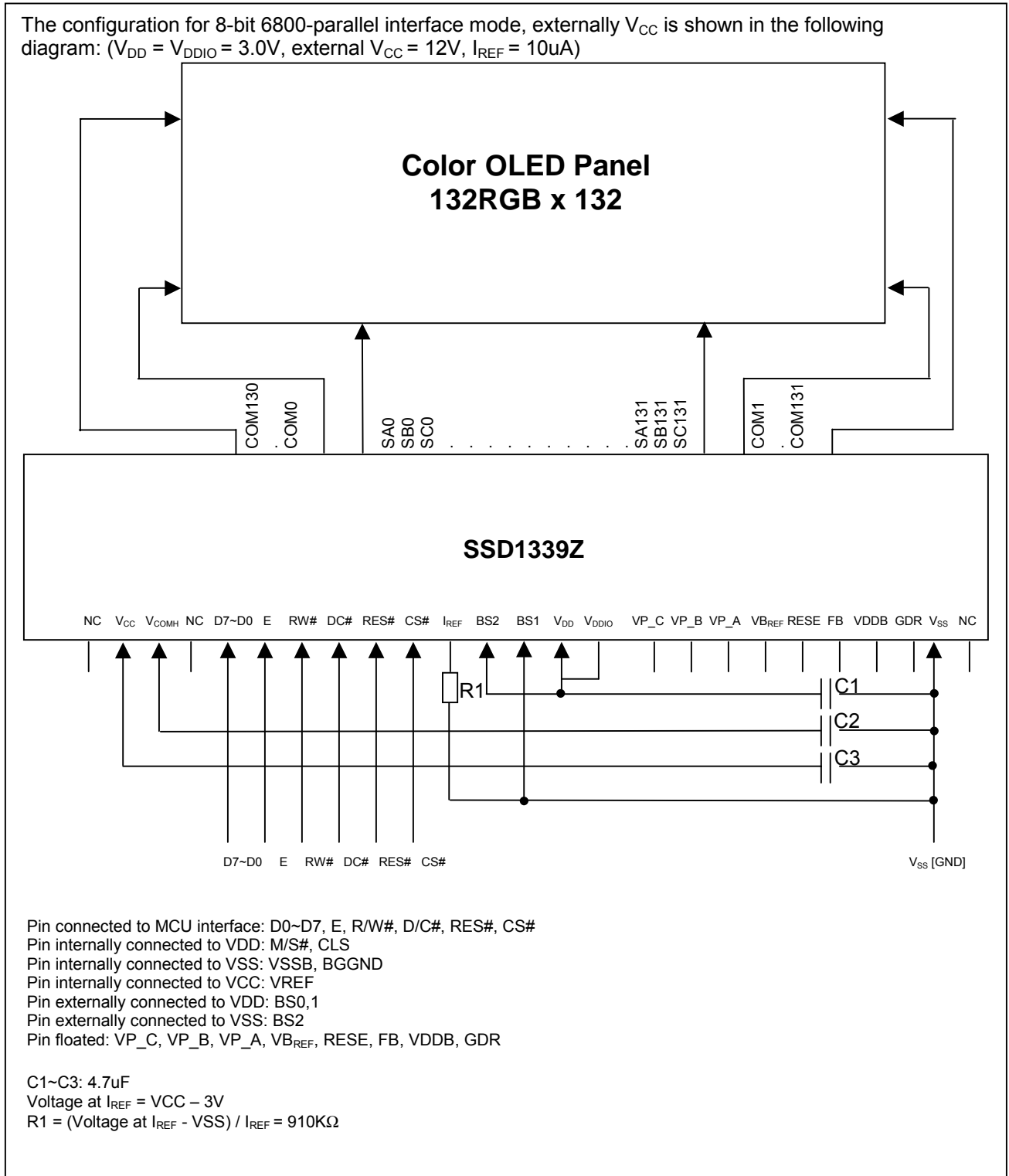


Figure 35 – Application example for 8-bit 6800-parallel interface mode

14. PACKAGE INFORMATION

SSD1339U3 Pin Assignment

Figure 36 - SSD1339U3 pin assignment

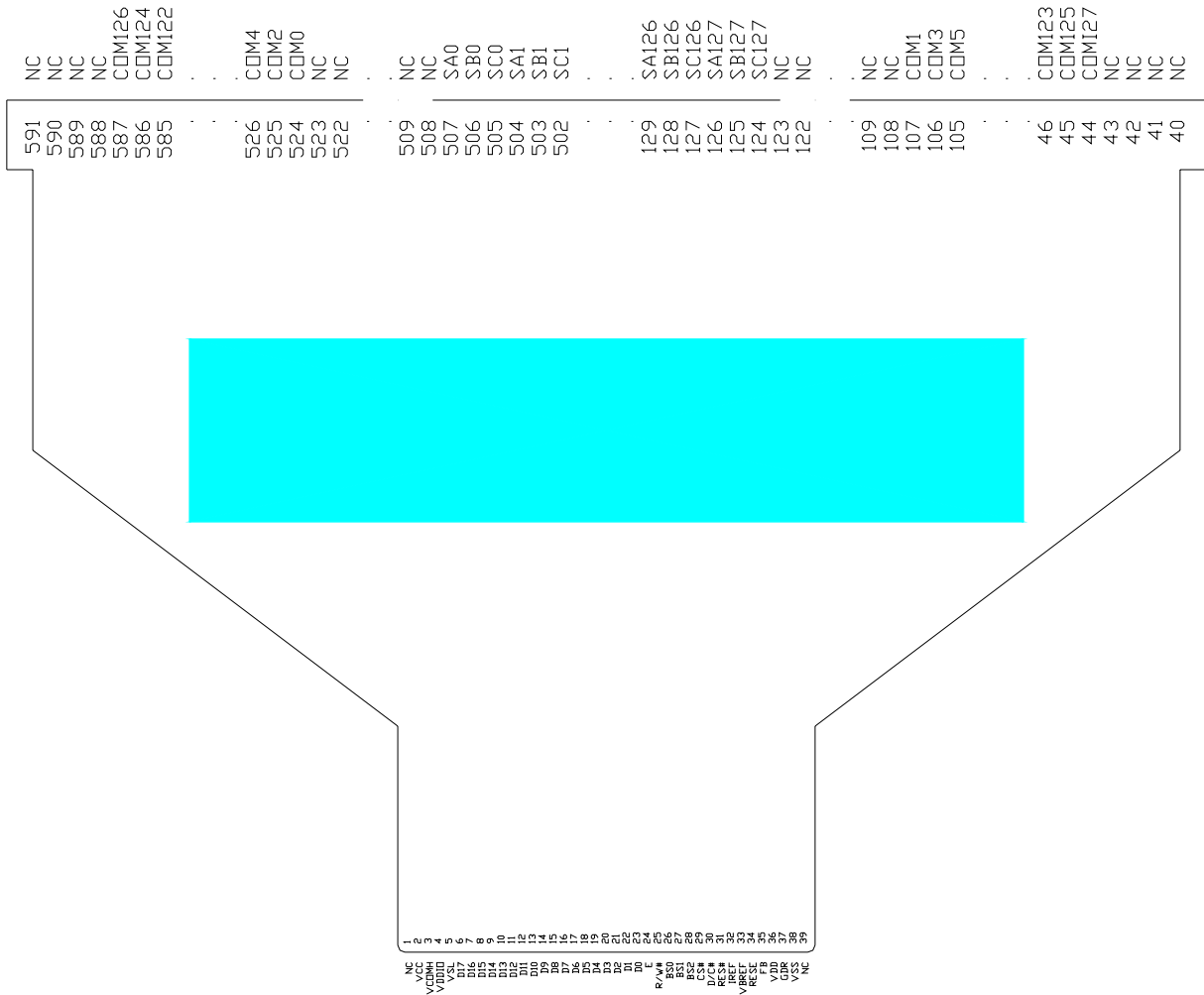
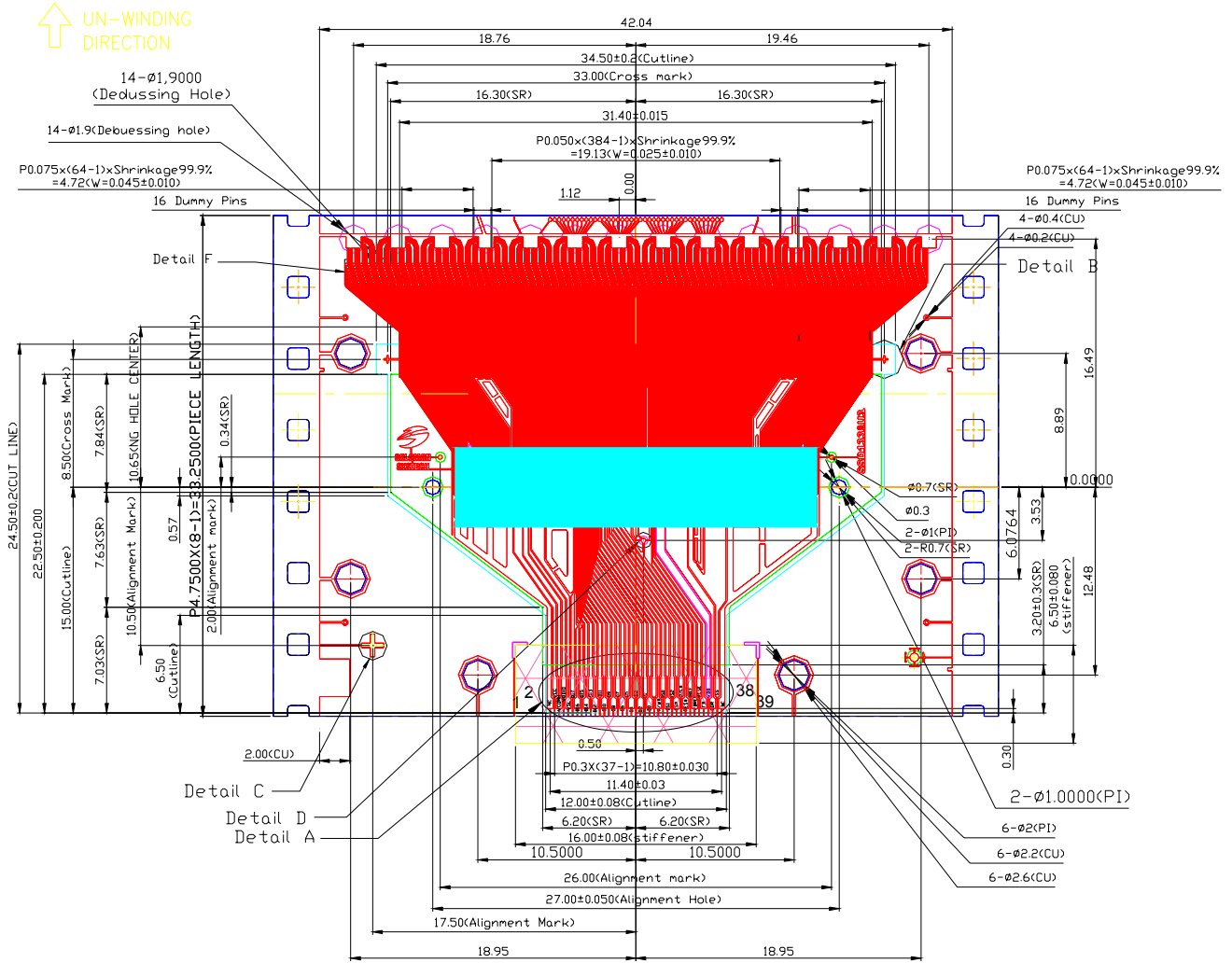


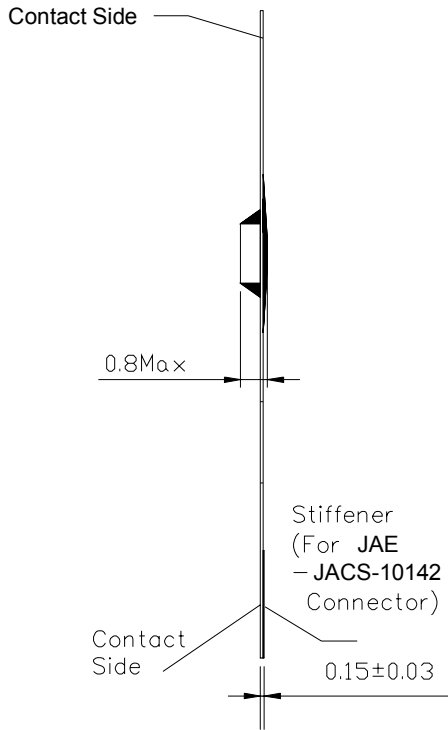
Table 12 - SSD1339U3 pin assignment

Name	Pin #	Name	Pin #	Name	Pin #	Name	Pin #	Name	Pin #	Name	Pin #	Name	Pin #	Name	Pin #	Name	Pin #
NC	1	NC	40	NC	121	SA101	202	SA74	283	SB47	364	SB20	445	NC	506		
VCC	2	NC	41	NC	122	SC100	203	SC73	284	SA47	365	SA20	446	NC	507		
COMH	3	NC	42	NC	123	SB100	204	SB73	285	SC46	366	SC19	447	NC	508		
VDDIO	4	NC	43	SA127	124	SA100	205	SA73	286	SB46	367	SB19	448	NC	509		
VSL	5	COM129	44	SC126	125	SC99	206	SC72	287	SA46	368	SA19	449	NC	510		
D17	6	COM128	45	SB126	126	SB99	207	SB72	288	SC45	369	SC18	450	NC	511		
D16	7	COM127	46	SA126	127	SA99	208	SA72	289	SB45	370	SB18	451	NC	512		
D15	8	COM126	47	SC125	128	SC98	209	SC71	290	SA45	371	SA18	452	NC	513		
D14	9	COM125	48	SB125	129	SB98	210	SB71	291	SC44	372	SC17	453	NC	514		
D13	10	COM124	49	SA125	130	SA98	211	SA71	292	SB44	373	SB17	454	NC	515		
D12	11	COM123	50	SC124	131	SC97	212	SC70	293	SA44	374	SA17	455	NC	516		
D11	12	COM122	51	SB124	132	SB97	213	SB70	294	SC43	375	SC16	456	NC	517		
D10	13	COM121	52	SA124	133	SA97	214	SA70	295	SB43	376	SB16	457	NC	518		
D9	14	COM120	53	SC123	134	SC96	215	SC69	296	SA43	377	SA16	458	NC	519		
D8	15	COM119	54	SB123	135	SB96	216	SB69	297	SC42	378	SC15	459	NC	520		
D7	16	COM118	55	SA123	136	SA96	217	SA69	298	SB42	379	SB15	460	NC	521		
D6	17	COM117	56	SC122	137	SC95	218	SC68	299	SA42	380	SA15	461	COM0	522		
D5	18	COM116	57	SB122	138	SB95	219	SB68	300	SC41	381	SC14	462	COM1	523		
D4	19	COM115	58	SA122	139	SA95	220	SA68	301	SB41	382	SB14	463	COM2	524		
D3	20	COM114	59	SC121	140	SC94	221	SC67	302	SA41	383	SA14	464	COM3	525		
D2	21	COM113	60	SB121	141	SB94	222	SB67	303	SC40	384	SC13	465	COM4	526		
D1	22	COM112	61	SA121	142	SA94	223	SA67	304	SB40	385	SB13	466	COM5	527		
D0	23	COM111	62	SC120	143	SC93	224	SC66	305	SA40	386	SA13	467	COM6	528		
E	24	COM110	63	SB120	144	SB93	225	SB66	306	SC39	387	SC12	468	COM7	529		
R/W#	25	COM109	64	SA120	145	SA93	226	SA66	307	SB39	388	SB12	469	COM8	530		
BS0	26	COM108	65	SC119	146	SC92	227	SC65	308	SA39	389	SA12	470	COM9	531		
BS1	27	COM107	66	SB119	147	SB92	228	SB65	309	SC38	390	SC11	471	COM10	532		
BS2	28	COM106	67	SA119	148	SA92	229	SA65	310	SB38	391	SB11	472	COM11	533		
CS#	29	COM105	68	SC118	149	SC91	230	SC64	311	SA38	392	SA11	473	COM12	534		
D/C#	30	COM104	69	SB118	150	SB91	231	SB64	312	SC37	393	SC10	474	COM13	535		
RES#	31	COM103	70	SA118	151	SA91	232	SA64	313	SB37	394	SB10	475	COM14	536		
VBREF	32	COM102	71	SC117	152	SC90	233	NC	314	SA37	395	SA10	476	COM15	537		
RESE	33	COM101	72	SB117	153	SB90	234	SC63	315	SC36	396	SC9	477	COM16	538		
FB	35	COM100	73	SA117	154	SA90	235	SB63	316	SB36	397	SB9	478	COM17	539		
VDDIO	36	COM99	74	SC116	155	SC89	236	SA63	317	SA36	398	SA9	479	COM18	540		
GDR	37	COM98	75	SB116	156	SB89	237	SC62	318	SC35	399	SC8	480	COM19	541		
VSS	38	COM97	76	SA116	157	SA89	238	SB62	319	SB35	400	SB8	481	COM20	542		
NC	39	COM96	77	SC115	158	SC88	239	SA62	320	SA35	401	SA8	482	COM21	543		
		COM95	78	SB115	159	SB88	240	SC61	321	SC34	402	SC7	483	COM22	544		
		COM94	79	SA115	160	SA88	241	SB61	322	SB34	403	SB7	484	COM23	545		
		COM93	80	SC114	161	SC87	242	SA61	323	SA34	404	SA7	485	COM24	546		
		COM92	81	SB114	162	SB87	243	SC60	324	SC33	405	SC6	486	COM25	547		
		COM91	82	SA114	163	SA87	244	SB60	325	SB33	406	SB6	487	COM26	548		
		COM90	83	SC113	164	SC86	245	SA60	326	SA33	407	SA6	488	COM27	549		
		COM89	84	SB113	165	SB86	246	SC59	327	SC32	408	SC5	489	COM28	550		
		COM88	85	SA113	166	SA86	247	SB59	328	SB32	409	SB5	490	COM29	551		
		COM87	86	SC112	167	SC85	248	SA59	329	SA32	410	SA5	491	COM30	552		
		COM86	87	SB112	168	SB85	249	SC58	330	SC31	411	SC4	492	COM31	553		
		COM85	88	SA112	169	SA85	250	SB58	331	SB31	412	SB4	493	COM32	554		
		COM84	89	SC111	170	SC84	251	SA58	332	SA31	413	SA4	494	COM33	555		
		COM83	90	SB111	171	SB84	252	SC57	333	SC30	414	SC3	495	COM34	556		
		COM82	91	SA111	172	SA84	253	SB57	334	SB30	415	SB3	496	COM35	557		
		COM81	92	SC110	173	SC83	254	SA57	335	SA30	416	SA3	497	COM36	558		
		COM80	93	SB110	174	SB83	255	SC56	336	SC29	417	SC2	498	COM37	559		
		COM79	94	SA110	175	SA83	256	SB56	337	SB29	418	SB2	499	COM38	560		
		COM78	95	SC109	176	SC82	257	SA56	338	SA29	419	SA2	500	COM39	561		
		COM77	96	SB109	177	SB82	258	SC55	339	SC28	420	SC1	501	COM40	562		
		COM76	97	SA109	178	SA82	259	SB55	340	SB28	421	SB1	502	COM41	563		
		COM75	98	SC108	179	SC81	260	SA55	341	SA28	422	SA1	503	COM42	564		
		COM74	99	SB108	180	SB81	261	SC54	342	SC27	423	SC0	504	COM43	565		
		COM73	100	SA108	181	SA81	262	SB54	343	SB27	424	SB0	505	COM44	566		
		COM72	101	SC107	182	SC80	263	SA54	344	SA27	425	SA0	506	COM45	567		
		COM71	102	SB107	183	SB80	264	SC53	345	SC26	426			COM46	568		
		COM70	103	SA107	184	SA80	265	SB53	346	SB26	427			COM47	569		
		COM69	104	SC106	185	SC79	266	SA53	347	SA26	428			COM48	570		
		COM68	105	SB106	186	SB79	267	SC52	348	SC25	429			COM49	571		
		COM67	106	SA106	187	SA79	268	SB52	349	SB25	430			COM50	572		
		COM66	107	SC105	188	SC78	269	SA52	350	SA25	431			COM51	573		
		NC	108	SB105	189	SB78	270	SC51	351	SC24	432			COM52	574		
		NC	109	SA105	190	SA78	271	SB51	352	SB24	433			COM53	575		
		NC	110	SC104	191	SC77	272	SA51	353	SA24	434			COM54	576		
		NC	111	SB104	192	SB77	273	SC50	354	SC23	435			COM55	577		
		NC	112	SA104	193	SA77	274	SB50	355	SB23	436			COM56	578		
		NC	113	SC103	194	SC76	275	SA50	356	SA23	437			COM57	579		
		NC	114	SB103	195	SB76	276	SC49	357	SC22	438			COM58	580		
		NC	115	SA103	196	SA76	277	SB49	358	SB22	439			COM59	581		
		NC	116	SC102	197	SC75	278	SA49	359	SA22	440			COM60	582		
		NC	117	SB102	198	SB75	279	SC48	360	SC21	441			COM61	583		
		NC	118	SA102	199	SA75	280	SB48	361	SB21	442			COM62	584		
		NC	119	SC101	200	SC74	281	SA48	362	SA21	443			COM63	585		
		NC	120	SB101	201	SB74	282	SC47	363	SC20	444			NC	586		
														NC	587		
														NC	588		
														NC	589		

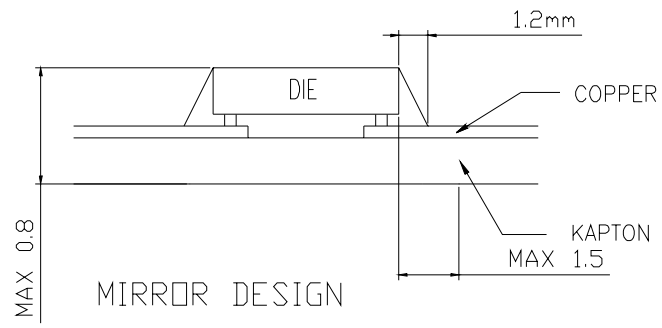
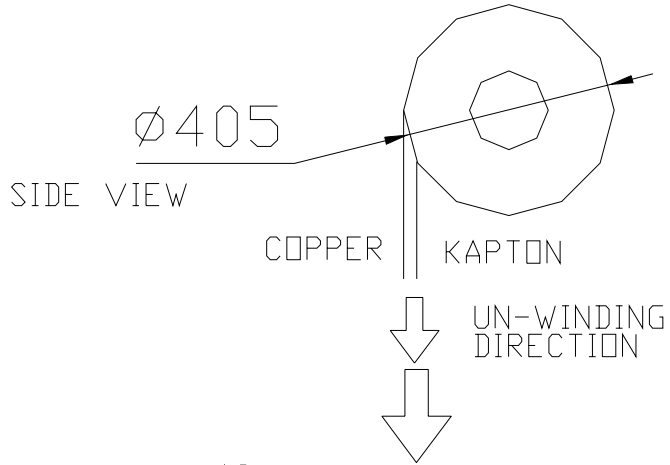
SSD1339U3 COF details dimensions

Figure 37 - SSD1339U3 detail dimensions





- NOTE:
1. GENERAL TOLERANCE: $\pm 0.05\text{mm}$
 2. MATERIAL
 - PI: $38\pm 4\mu\text{m}$
 - CU: $8\pm 2\mu\text{m}$
 - SR: $15\pm 10\mu\text{m}$
 - OTHER TOLERANCE: ± 0.200
 3. AU/Ni PLATING: AU $0.4\pm 0.1\mu\text{m}$
Ni $0.5\pm 0.1\mu\text{m}$
 4. TAPSITE: 7 SPH, 33.25mm



Solomon Systech reserves the right to make changes without further notice to any products herein. Solomon Systech makes no warranty, representation or guarantee regarding the suitability of its products for any particular purpose, nor does Solomon Systech assume any liability arising out of the application or use of any product or circuit, and specifically disclaims any and all liability, including without limitation consequential or incidental damages. "Typical" parameters can and do vary in different applications. All operating parameters, including "Typicals" must be validated for each customer application by customer's technical experts. Solomon Systech does not convey any license under its patent rights nor the rights of others. Solomon Systech products are not designed, intended, or authorized for use as components in systems intended for surgical implant into the body, or other applications intended to support or sustain life, or for any other application in which the failure of the Solomon Systech product could create a situation where personal injury or death may occur. Should Buyer purchase or use Solomon Systech products for any such unintended or unauthorized application, Buyer shall indemnify and hold Solomon Systech and its offices, employees, subsidiaries, affiliates, and distributors harmless against all claims, costs, damages, and expenses, and reasonable attorney fees arising out of, directly or indirectly, any claim of personal injury or death associated with such unintended or unauthorized use, even if such claim alleges that Solomon Systech was negligent regarding the design or manufacture of the part.

<http://www.solomon-systech.com>