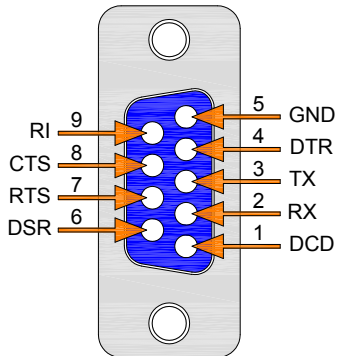
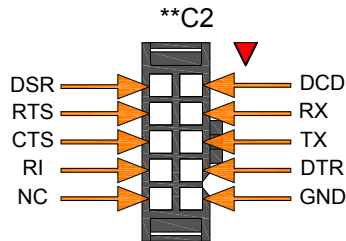


***C1
DB-9 Connector

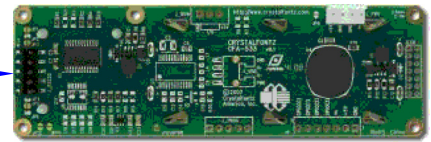


To PC Serial Port



To LCD Module

*CFA533



*CFA633



*CFA635 W/ RS2 Daughter Board



PIN ASSIGNMENT		
C2 0.1" 2*5	*C1 DB-9	FUNCTION
1	1	DCD
2	6	DSR
3	2	RX
4	7	RTS
5	3	TX
6	8	CTS
7	4	DTR
8	9	RI
9	5	GND
10	NC	NC

*10 Pin RS-232 Male Connector.

**10 Pin RS-232 Female Connector.

***DB-9



copyright © 2009 by
CrystalFontz America, Inc.

www.crystalfontz.com/products/

Part No.(s):

WR232Y08

Scale:

Not to scale

Units:

Inch[mm]

Drawing Number:

WR232Y08_master

Date:

2009/08/27

Hardware Rev.:

vA

Sheet:

1 of 1