

# Crystalfontz America, Inc.

## SPECIFICATION

**CUSTOMER :** \_\_\_\_\_

**MODULE NO.:** CFAG12864C-TMI-TN

.....'4232/32/44'F cvc'Uj ggv'T gxklqp'x30''  
"  
Ej cpi gu<  
k'70Ggevt lecnEj ct cevgt knleu.'cf l wwgf 'tr gekklec vqpu'ht 'k'p w'cpf 'Qwr w'Xqnci gu0

**Crystalfontz America, Inc.**  
12412 East Saltese Avenue  
Spokane Valley, WA 99216-0357  
  
Phone: (888) 206-9720  
Fax: (509) 892-1203  
Email: [techinfo@crystalfontz.com](mailto:techinfo@crystalfontz.com)  
  
URL: [www.crystalfontz.com](http://www.crystalfontz.com)

# Contents

1. Module classification information
2. Precautions in Use of LCM
3. General Specification
4. Absolute Maximum Ratings
5. Electrical Characteristics
6. Optical Characteristics
7. Power Supply for LCD Module
8. Counter Drawing & Block Diagram
9. Interface Pin Function
10. Timing Characteristics
11. Display Control Instruction
12. Detailed Explanation
13. Reliability
14. Backlight Information

# 1. Module Classification Information

CFA G 12864 C TMI TN

① ② ③ ④ ⑤ ⑥ ⑦ ⑧

①	Brand: <b>CRYSTALFONTZ AMERICA, INC</b>	
②	Display Type: H→Character Type, <b>G→Graphic Type</b>	
③	Displays Logical Dimensions: <b>128 pixels by 64 pixels</b>	
④	Model PCB Variant: <b>C</b>	
⑤	Backlight Type:	<p>N→Without backlight</p> <p>B→EL, Blue green</p> <p>D→EL, Green</p> <p>W→EL, White</p> <p>F→CCFL, White</p> <p>Y→LED, Yellow Green</p> <p><b>T→LED, White</b></p> <p>A→LED, Amber</p> <p>R→LED, Red</p> <p>O→LED, Orange</p> <p>G→LED, Green</p>
⑥	LCD Mode:	<p>B→TN Positive, Gray      T→FSTN Negative</p> <p>N→TN Negative,</p> <p>G→STN Positive, Gray</p> <p>Y→STN Positive, Yellow Green</p> <p><b>M→STN Negative, Blue</b></p> <p>F→FSTN Positive</p>
⑦	LCD Polarizer Type/ Temperature range/ View direction	<p>A→Reflective, N.T, 6:00</p> <p>D→Reflective, N.T, 12:00</p> <p>G→Reflective, W. T, 6:00</p> <p>J→Reflective, W. T, 12:00</p> <p>B→Transflective, N.T,6:00</p> <p>E→Transflective, N.T.12:00</p> <p>H→Transflective, W.T,6:00</p> <p>K→Transflective, W.T,12:00</p> <p>C→Transmissive, N.T,6:00</p> <p>F→Transmissive, N.T,12:00</p> <p><b>I→Transmissive, W. T, 6:00</b></p> <p>L→Transmissive, W.T,12:00</p>
⑧	Special Code	<p><b>T→Negative voltage generator on board and temperature compensation</b></p> <p><b>N→Neotec IC</b></p>

## 2. Precautions in Use of LCD Module

- (1) Avoid applying excessive shocks to the module or making any alterations or modifications to it.
- (2) Don't make extra holes on the printed circuit board, modify its shape or change the components of LCD Module.
- (3) Don't disassemble the LCM.
- (4) Don't operate it above the absolute maximum rating.
- (5) Don't drop, bend or twist LCM.
- (6) Soldering: only to the I/O terminals.
- (7) Storage: please storage in anti-static electricity container and clean environment.

### **3.General Specification**

ITEM	STANDARD VALUE	UNIT
Number of dots	128 ×64	dots
Outline dimension	78.0 (W) ×70.0 (H) ×14.3 (T)	mm
View area	62.0(W) ×44.0(H)	mm
Active area	56.3(W) ×38.38(H)	mm
Dot size	0.42(W) ×0.58(H)	mm
Dot pitch	0.44(W) ×0.60(H)	mm
LCD type	STN Negative, Blue, Transmissive	
View direction	6 o'clock	
Backlight	LED , White	

## 4. Absolute Maximum Ratings

ITEM	SYMBOL	MIN.	TYP.	MAX.	UNIT
Operating Temperature	$T_{OP}$	-20	—	+70	°C
Storage Temperature	$T_{ST}$	-30	—	+80	°C
Input Voltage	$V_I$	0	—	$V_{DD}$	V
Supply Voltage For Logic	$V_{DD}-V_{SS}$	0	—	6.5	V
Supply Voltage For LCD	$V_{DD}-V_{LCD}$	0	—	17.0	V

## 5. Electrical Characteristics

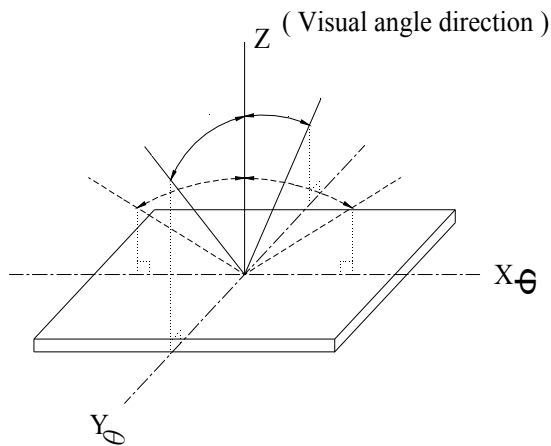
ITEM	SYMBOL	CONDITION	MIN.	TYP.	MAX.	UNIT
Logic Voltage	$V_{DD}-V_{SS}$	—	4.5	5.0	5.5	V
Supply Voltage For LCD	$V_{DD}-V_{LCD}$	$T_a=-20^{\circ}\text{C}$	—	—	9.6	V
		$T_a=25^{\circ}\text{C}$	—	8.5	—	V
		$T_a=+70^{\circ}\text{C}$	8.2	—	—	V
Input High Volt.	$V_{IH}$	—	$0.7*V_{DD}$	—	$V_{DD}$	V
Input Low Volt.	$V_{IL}$	—	0	—	$0.3*V_{DD}$	V
Output High Volt.	$V_{OH}$	—	$V_{DD}-0.4$	—	—	V
Output Low Volt.	$V_{OL}$	—	0	—	0.4	V
Supply Current	$I_{OP}$	5.0	2.0	2.5	4.0	mA

# 6. Optical Characteristics

ITEM	SYMBAL	CONDITION	MIN	TYP	MAX	UNIT
View Angle	(V) $\theta$	$CR \geq 2$	20	—	40	deg.
	(H) $\phi$	$CR \geq 2$	-30	—	30	deg.
Contrast Ratio	CR	—	—	3	—	—
Response Time	T rise	—	—	200	300	ms
	T fall	—	—	150	200	ms

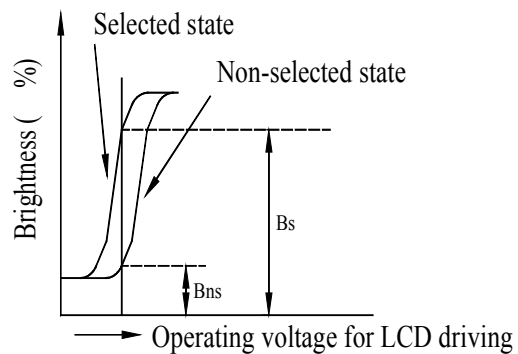
## 6.1 Definitions

### ■ View Angles

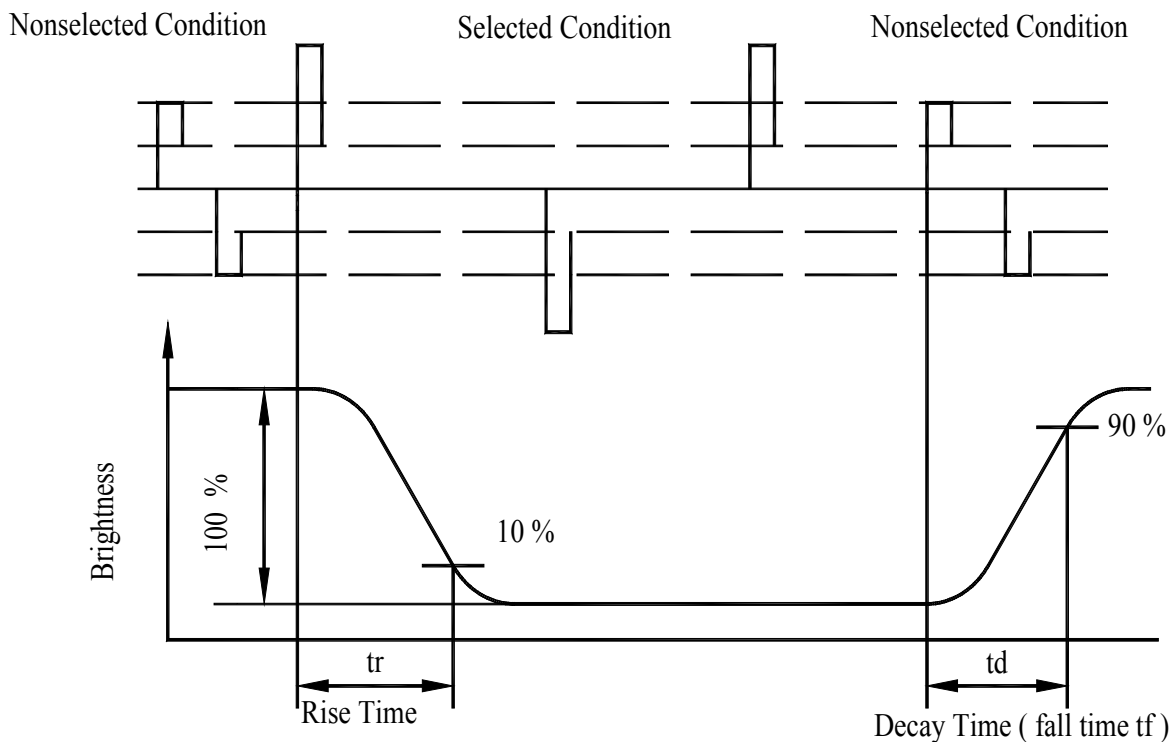


### ■ Contrast Ratio

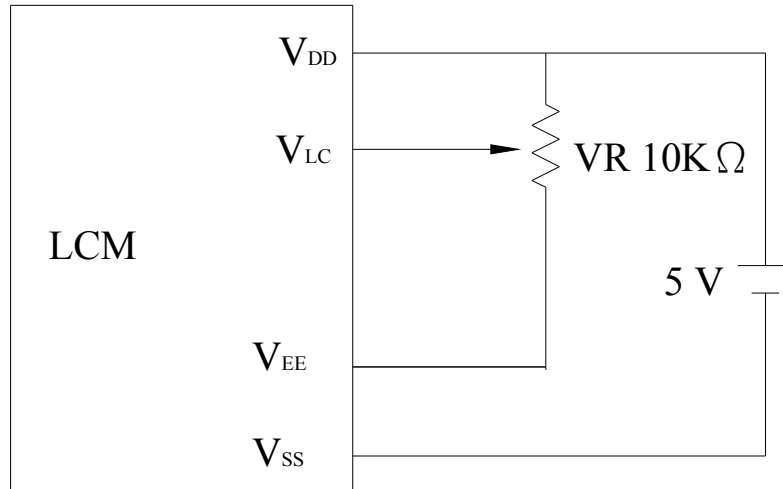
$$CR = \frac{\text{Brightness at selected state (BS)}}{\text{Brightness at non-selected state (Bns)}}$$



### ■ Response time



## 7. Power Supply for LCD Module







## 9. Interface Pin Function

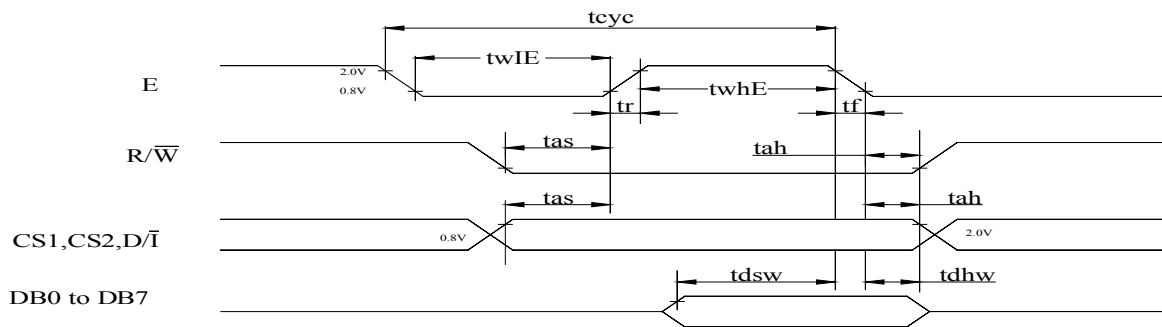
Pin No.	Symbol	Level	Description
1	$\overline{CS1}$	L	Select Segment 1 ~ Segment 64
2	$\overline{CS2}$	L	Select Segment 65 ~ Segment 128
3	GND	0V	Ground
4	V <sub>DD</sub>	5.0V	Supply voltage for logic
5	V <sub>LC</sub>	(Variable)	Operating voltage for LCD
6	D/I	H/L	H: Data , L: Instruction
7	R/W	H/L	H: Read(MPU←Module) , L :Write(MPU→Module)
8	E	H	Enable signal
9	DB0	H/L	Data bus line
10	DB1	H/L	Data bus line
11	DB2	H/L	Data bus line
12	DB3	H/L	Data bus line
13	DB4	H/L	Data bus line
14	DB5	H/L	Data bus line
15	DB6	H/L	Data bus line
16	DB7	H/L	Data bus line
17	RST	L	Reset the LCM
18	VEE	-5V	-5V output
19	A		Power supply for B/L(+)
20	K		Power supply for B/L(-)

# 10. Timing Characteristics

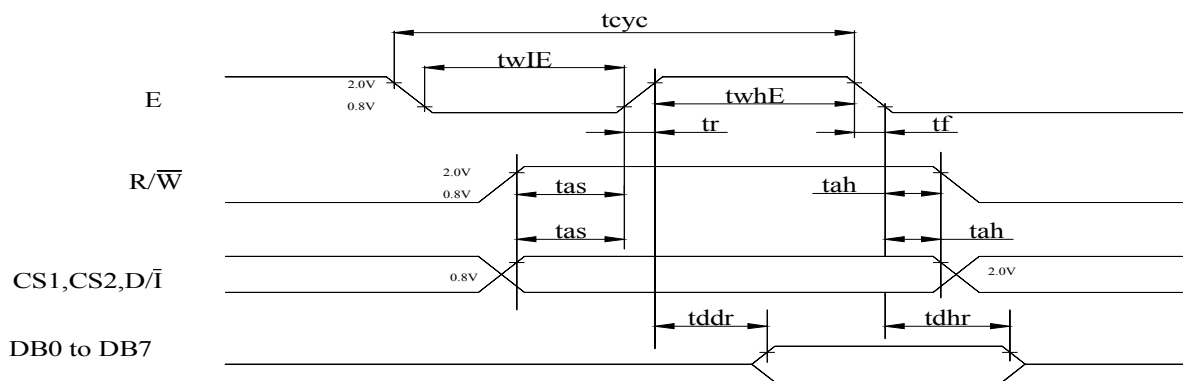
MPU Interface

(T=25°C, VDD=+5.0V±0.5)

Characteristic	Symbol	Min	Typ	Max	Unit
E cycle	t <sub>cy</sub>	1000	—	—	ns
E high level width	t <sub>whE</sub>	450	—	—	ns
E low level width	t <sub>wlE</sub>	450	—	—	ns
E rise time	t <sub>r</sub>	—	—	25	ns
E fall time	t <sub>f</sub>	—	—	25	ns
Address set-up time	t <sub>as</sub>	140	—	—	ns
Address hold time	t <sub>ah</sub>	10	—	—	ns
Data set-up time	t <sub>dsw</sub>	200	—	—	ns
Data delay time	t <sub>ddr</sub>	—	—	320	ns
Data hold time (write)	t <sub>dhw</sub>	10	—	—	ns
Data hold time (read)	t <sub>dhr</sub>	20	—	—	ns



MPU Write Timing



MPU Read Timing

# 11.Display Control Instruction

The display control instructions control the internal state of the NT7108. Instruction is received from MPU to NT7108 for the display control. The following table shows various instructions.

Instruction	RS	R/W	DB7	DB6	DB5	DB4	DB3	DB2	DB1	DB0	Function	
Display on/off	L	L	L	L	H	H	H	H	H	L/H	Controls the display on or off. Internal status and display RAM data is not affected. L:OFF, H:ON	
Set address (Y address)	L	L	L	H	Y address (0-63)						Sets the Y address in the Y address counter.	
Set page (X address)	L	L	H	L	H	H	H	Page (0-7)			Sets the X address at the X address register.	
Display Start line (Z address)	L	L	H	H	Display start line (0-63)						Indicates the display data RAM displayed at the top of the screen.	
Status read	L	H	Busy	L	On/Off	Reset	L	L	L	L	Read status. BUSY L: Ready H: In operation ON/OFF L: Display ON H: Display OFF RESET L: Normal H: Reset	
Write display data	H	L	Write data									Writes data (DB0: 7) into display data RAM. After writing instruction, Y address is increased by 1 automatically.
Read display data	H	H	Read data									Reads data (DB0: 7) from display data RAM to the data bus.

## 12.Detailed Explanation

RS	R/W	DB7	DB6	DB5	DB4	DB3	DB2	DB1	DB0
0	0	0	0	1	1	1	1	1	D

The display data appears when D is 1 and disappears when D is 0. Though the data is not on the screen with D=0, it remains in the display data RAM. Therefore, you can make it appear by changing D=0 into D=1.

### SET ADDRESS (Y ADDRESS)

RS	R/W	DB7	DB6	DB5	DB4	DB3	DB2	DB1	DB0
0	0	0	1	AC5	AC4	AC3	AC2	AC1	AC0

Y address (AC0-AC5) of the display data RAM is set in the Y address counter. An address is set by instruction and increased by 1 automatically by read or write operations of display data.

### SET PAGE (X ADDRESS)

RS	R/W	DB7	DB6	DB5	DB4	DB3	DB2	DB1	DB0
0	0	1	0	1	1	1	AC2	AC1	AC0

X address (AC0-AC2) of the display data RAM is set in the X address register. Writing or reading to or from MPU is executed in this specified page until the next page is set.

### DISPLAY START LINE (Z ADDRESS)

RS	R/W	DB7	DB6	DB5	DB4	DB3	DB2	DB1	DB0
0	0	1	1	AC5	AC4	AC3	AC2	AC1	AC0

Z address (AC0-AC5) of the display data RAM is set in the display start line register and displayed at the top of the screen. When the display duty cycle is 1/64 or others (1/32-1/64), the data of total line number of LCD screen, from the line specified by display start line instruction, is displayed.

### STATUS READ

RS	R/W	DB7	DB6	DB5	DB4	DB3	DB2	DB1	DB0
0	1	BUSY	0	ON/OFF	RESET	0	0	0	0

- BUSY

When BUSY is 1, the Chip is executing internal operation and no instructions are accepted.

When BUSY is 0, the Chip is ready to accept any instructions.

- ON/OFF

When ON/OFF is 1, the display is OFF.

When ON/OFF is 0, the display is ON.

- RESET

When RESET is 1, the system is being initialized.

In this condition, no instructions except status read can be accepted.

When RESET is 0, initializing has finished and the system is in usual operation condition.

### WRITE DISPLAY DATA

RS	R/W	DB7	DB6	DB5	DB4	DB3	DB2	DB1	DB0
1	0	D7	D6	D5	D4	D3	D2	D1	D0

Writes data (D0-D7) into the display data RAM. After writing instruction, Y address is increased by 1 automatically.

## READ DISPLAY DATA

<b>RS</b>	<b>R/W</b>	<b>DB7</b>	<b>DB6</b>	<b>DB5</b>	<b>DB4</b>	<b>DB3</b>	<b>DB2</b>	<b>DB1</b>	<b>DB0</b>
1	1	D7	D6	D5	D4	D3	D2	D1	D0

Reads data (D0-D7) from the display data RAM. After reading instruction, Y address is increased by 1 automatically.

# 13. RELIABILITY

## Content of Reliability Test (wide temperature, -20°C~70°C)

Environmental Test			
Test Item	Content of Test	Test Condition	Note
High Temperature storage	Endurance test applying the high storage temperature for a long time.	80°C 200hrs	2
Low Temperature storage	Endurance test applying the high storage temperature for a long time.	-30°C 200hrs	1,2
High Temperature Operation	Endurance test applying the electric stress (Voltage & Current) and the thermal stress to the element for a long time.	70°C 200hrs	—
Low Temperature Operation	Endurance test applying the electric stress under low temperature for a long time.	-20°C 200hrs	1
High Temperature/ Humidity Operation	The module should be allowed to stand at 60°C,90%RH max For 96hrs under no-load condition excluding the polarizer, Then taking it out and drying it at normal temperature.	60°C,90%RH 96hrs	1,2
Thermal shock resistance	The sample should be allowed stand the following 10 cycles of operation -20°C 25°C 70°C 30min 5min 30min 1 cycle	-20°C/70°C 10 cycles	—
Vibration test	Endurance test applying the vibration during transportation and using.	Total fixed amplitude : 1.5mm Vibration Frequency : 10~55Hz One cycle 60 seconds to 3 directions of X,Y,Z for Each 15 minutes	3
Static electricity test	Endurance test applying the electric stress to the terminal.	VS=800V,RS=1.5kΩ CS=100pF 1 time	—

**Note1: No dew condensation to be observed.**

**Note2: The function test shall be conducted after 4 hours storage at the normal Temperature and humidity after remove from the test chamber.**

**Note3: Vibration test will be conducted to the product itself without putting it in a container.**

# 14. Backlight Information

PARAMETER	SYMBOL	MIN	TYP	MAX	UNIT	TEST CONDITION
Supply Current	I <sub>LED</sub>	65	80	100	mA	V=3.5V
Supply Voltage	V	3.4	3.5	3.6	V	
Reverse Voltage	V <sub>R</sub>	—	—	5	V	
Luminous Intensity	I <sub>V</sub>	150	190	—	CD/M <sup>2</sup>	I <sub>LED</sub> =80mA
Life Time		—	50K	—	Hr.	I <sub>LED</sub> ≤80mA
Color	White					

**Note:** The LED of B/L is drive by current only, drive voltage is for reference only.

drive voltage can make driving current under safety area (current between minimum and maximum).

Drive from pin19, pin20

