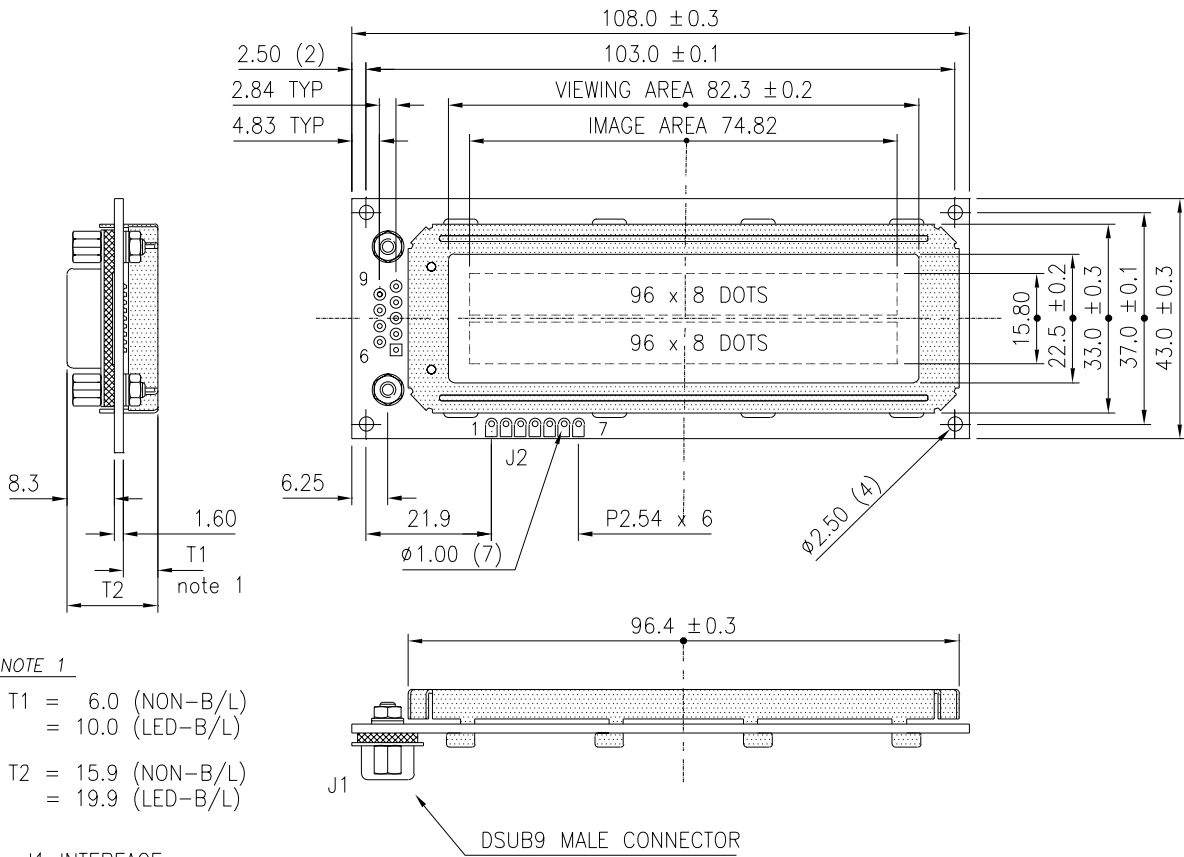


SCALE : 0.8X



NOTE 1

- T1 = 6.0 (NON-B/L)
= 10.0 (LED-B/L)
- T2 = 15.9 (NON-B/L)
= 19.9 (LED-B/L)

J1 INTERFACE

| PIN NO. | FUNCTION | SIGNAL NAME FROM PC SERIAL PORT | PIN NO. | FUNCTION | SIGNAL NAME FROM PC SERIAL PORT |
|---------|---------------|---------------------------------|---------|----------|---------------------------------|
| 1 | NC | DCD | 6 | NC | DSR |
| 2 | NC | RxD | 7 | SRL PWR2 | RTS |
| 3 | RS232 DATA IN | TxD | 8 | NC | CTS |
| 4 | SRL PWR1 | DTR | 9 | NC | RI |
| 5 | Vss | SG | | | |

J2 INTERFACE

* to be used only if SPI is selected

| PIN NO. | 1 | 2 | 3 | 4 | 5* | 6* | 7* |
|----------|-----|-----|------|---------|--------|---------|----------|
| FUNCTION | Vss | Vcc | LED+ | DATA-IN | SPI CS | SPI CLK | SPI BUSY |

**ASCII input
Direct-plug-in to COM port**

| Item | Symbol | Condition | Min. | | Typ. | Max. | | Unit |
|----------------------------------|------------------|-----------|------|-----|------|------|----|------|
| | | | N | W | | N | W | |
| Operating Temperature | Top | | 0 | -20 | | 50 | 70 | °C |
| Storage Temperature | Tstg | | -10 | -30 | | 60 | 80 | °C |
| Supply for Logic (if J2 is used) | Vcc-Vss | Ta= 25°C | 4.5 | | 5.0 | 5.5 | | V |
| Supply Current Drain | Icc | Ta= 25°C | | | 5.0 | | | mA |
| Backlight Current Drain | I _{BL} | Ta= 25°C | | | 270 | | | mA |
| SPI CLK Frequency | f _{CLK} | Ta= 25°C | | | | 18 | | kHz |

| RS232 Baud Rates (via DIP switch settings) | 1200 | 2400 | 4800 | 9600 |
|--|------|------|------|------|
| | | | | |

FEATURE HIGHLIGHTS :

- Built-in Software Control for Contrast and Backlighting
- Smooth Horizontal Scrolling
- Gapless Bar Graphing

