



# Crystalfontz America, Incorporated

## GRAPHIC LCD MODULE SPECIFICATIONS



Part Number	<b>CFAG128128B-TTI-VZ</b>
Data Sheet	<b>Release Date 2012-04-17, Preliminary</b>
Product Pages	<a href="http://www.crystalfontz.com/product/CFAG128128BTTIVZ.html">http://www.crystalfontz.com/product/CFAG128128BTTIVZ.html</a>

### **Crystalfontz America, Inc.**

12412 East Saltese Ave.  
Spokane Valley, WA 99216-0357

Phone: 888-206-9720  
Fax: 509-892-1203  
Email: [techinfo@crystalfontz.com](mailto:techinfo@crystalfontz.com)  
URL: [www.crystalfontz.com](http://www.crystalfontz.com)

<b>CFAG128128B-TTI-VZ DATA SHEET REVISION HISTORY</b>	
2012/04/17	Data Sheet version: Preliminary Release Date 2012-04-17 <ul style="list-style-type: none"> <li>• In section 8, fixed description of pin 18 in table to "No Connection".</li> </ul>
2007/06/04	Data Sheet version: not listed New preliminary Data Sheet.

Preliminary

#### **The Fine Print**

Certain applications using Crystalfontz America, Inc. products may involve potential risks of death, personal injury, or severe property or environmental damage ("Critical Applications"). CRYSTALFONTZ AMERICA, INC. PRODUCTS ARE NOT DESIGNED, INTENDED, AUTHORIZED, OR WARRANTED TO BE SUITABLE FOR USE IN LIFE-SUPPORT APPLICATIONS, DEVICES OR SYSTEMS OR OTHER CRITICAL APPLICATIONS. Inclusion of Crystalfontz America, Inc. products in such applications is understood to be fully at the risk of the customer. In order to minimize risks associated with customer applications, adequate design and operating safeguards should be provided by the customer to minimize inherent or procedural hazard. Please contact us if you have any questions concerning potential risk applications.

Crystalfontz America, Inc. assumes no liability for applications assistance, customer product design, software performance, or infringements of patents or services described herein. Nor does Crystalfontz America, Inc. warrant or represent that any license, either express or implied, is granted under any patent right, copyright, or other intellectual property right of Crystalfontz America, Inc. covering or relating to any combination, machine, or process in which our products or services might be or are used.

The information in this publication is deemed accurate but is not guaranteed.

Company and product names mentioned in this publication are trademarks or registered trademarks of their respective owners.

Copyright © 2012 by Crystalfontz America, Inc., 12412 East Saltese Avenue, Spokane Valley, WA 99216-0357 U.S.A.

# CONTENTS

1. MODULE CLASSIFICATION INFORMATION
2. PRECAUTIONS IN USE OF LCD MODULE
3. GENERAL SPECIFICATIONS
4. ABSOLUTE MAXIMUM RATINGS
5. ELECTRICAL CHARACTERISTICS
6. OPTICAL CHARACTERISTICS
7. POWER SUPPLY FOR LCD MODULE AND CONTRAST ADJUST
8. INTERFACE DESCRIPTION
9. CONTOUR DRAWING AND BLOCK DIAGRAM
10. (See Controller Datasheet)
11. BUILT-IN CHARACTER GENERATOR
12. RELIABILITY
13. BACKLIGHT INFORMATION

# 1. MODULE CLASSIFICATION INFORMATION

<u>C</u> <u>F</u> <u>A</u>	<u>G</u>	<u>128</u>	<u>128</u>	<u>B</u>	-	<u>T</u>	<u>T</u>	<u>I</u>	-	<u>V</u> <u>Z</u>
①	②	③	④	⑤		⑥	⑦	⑧		⑨

①	Brand	Crystalfontz America, Inc.
②	Display Type	G→Graphic
③	Number of Characters (Width)	128→ Pixels
④	Number of Lines (Height)	128→Pixels
⑤	Model Identifier	B
⑥	Backlight Type & Color:	T→LED, white
⑦	Fluid Type, Image (Positive or Negative), & LCD Glass Color	T→STN positive, gray
⑧	LCD Polarize Type, Temperature Range, View Direction	I→Transmissive, Wide Temperature, 6:00 o'clock
⑨	Special Codes	V→Negative voltage Z→Manufacturer code

# 2. PRECAUTIONS IN USE OF LCD MODULE

- Avoid applying excessive shocks to the module.
- Don't make extra holes on the printed circuit board, modify its shape, or change module components.
- Don't disassemble the LCD module.
- Don't operate the module above its absolute maximum rating.
- Don't drop, bend, or twist the LCD module.
- Solder only to the I/O terminals.
- Please store in an antistatic container in a clean environment.

### 3. GENERAL SPECIFICATIONS

RoHS compliant. Factories are ISO certified.

PHYSICAL CHARACTERISTICS	SPECIFICATION
Number of Pixels	128 pixels x 128 pixels
Pixel Size	0.32 (W) x 0.32 (H) mm
Pixel Pitch	0.35 (W) x 0.35 (H) mm
Viewing Area Width and Height	50.00 (W) x 49.00 (H) mm
Active Area Width and Height	44.77 (W) x 44.77 (H) mm
Overall Width, Height, and Depth	72.50 (W) x 69.90 (H) x 10.00 maximum (D) mm
Weight	

Preliminary

## 4. Absolute Maximum Ratings

ITEM	SYMBOL	MIN.	TYP.	MAX.	UNIT
Operating Temperature	$T_{OP}$	-20	—	+70	°C
Storage Temperature	$T_{ST}$	-30	—	+80	°C
Input Voltage	$V_I$	$V_{SS}$	—	$V_{DD}$	V
Supply Voltage For Logic	$V_{CC}-V_{SS}$	-0.3	—	+7	V
Supply Voltage For LCD	$V_{CC}-V_{EE}$	0	—	28	V

## 5. Electrical Characteristics

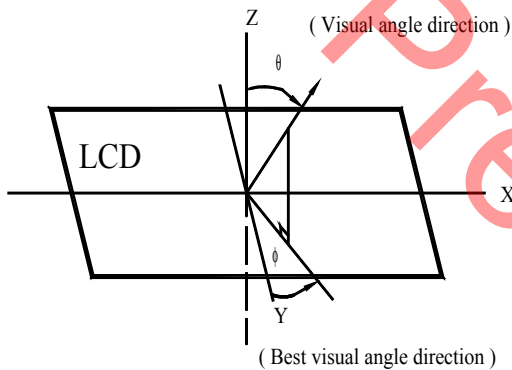
ITEM	SYMBOL	CONDITIO N	MIN.	TYP.	MAX.	UNIT
Supply Voltage For Logic	$V_{DD}-V_{SS}$	—	4.75	5.0	5.25	V
Supply Voltage For LCD	$V_{DD}-V_0$	$T_a=-20^{\circ}\text{C}$	—	—	18.2	V
		$T_a=25^{\circ}\text{C}$	—	16.3	—	V
		$T_a=70^{\circ}\text{C}$	14.9	—	—	V
Input High Volt.	$V_{IH}$	—	2.2	—	$V_{DD}$	V
Input Low Volt.	$V_{IL}$	—	0	—	0.8	V
Output High Volt.	$V_{OH}$	—	2.4	—	$V_{DD}$	V
Output Low Volt.	$V_{OL}$	—	0	—	0.4	V
Supply Current	$I_{DD}$	$V_{DD}=5\text{V}$	18	25	30	mA

## 6. Optical Characteristics

Item	Symbol	Condition	Min	Typ	Max	Unit
View Angle	(V) $\theta$	$CR \geq 2$	20	—	40	deg
	(H) $\phi$	$CR \geq 2$	-30	—	30	deg
Contrast Ratio	CR	—	—	5	—	—
Response Time	T rise	—	—	200	300	ms
	T fall	—	—	200	300	ms

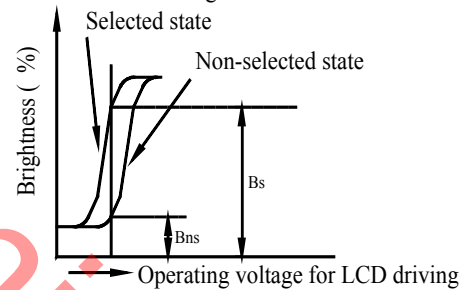
### 6.1 Definitions

#### ■ View Angles

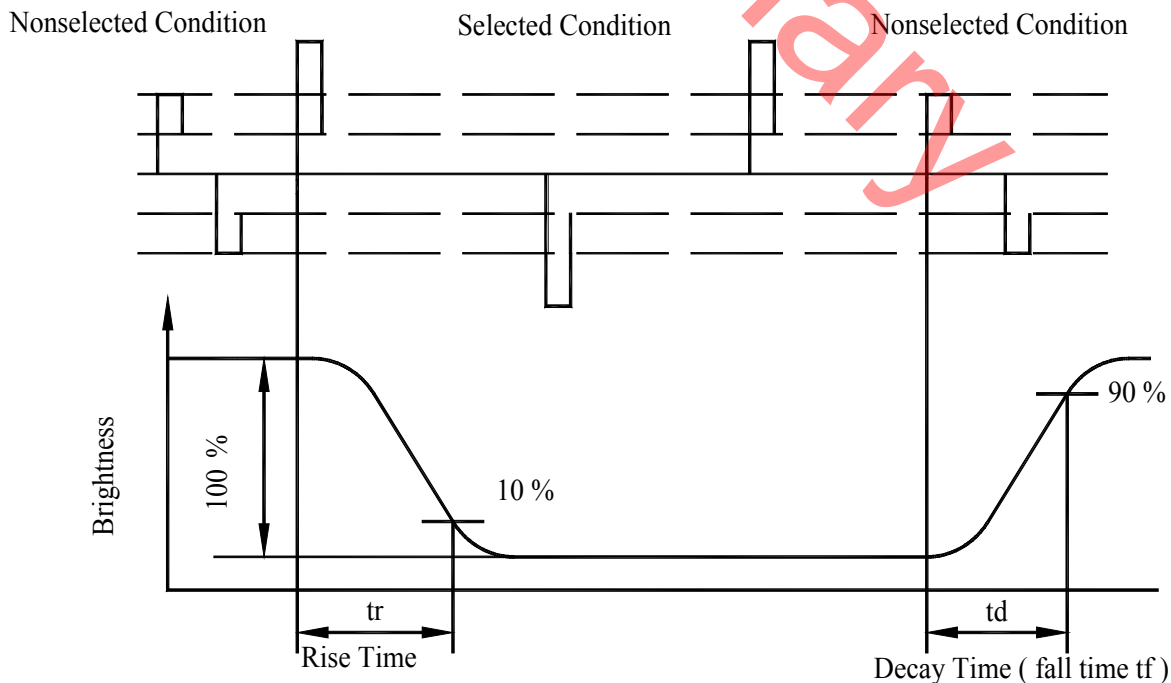


#### ■ Contrast Ratio

$$CR = \frac{\text{Brightness at selected state (BS)}}{\text{Brightness at non-selected state (Bns)}}$$

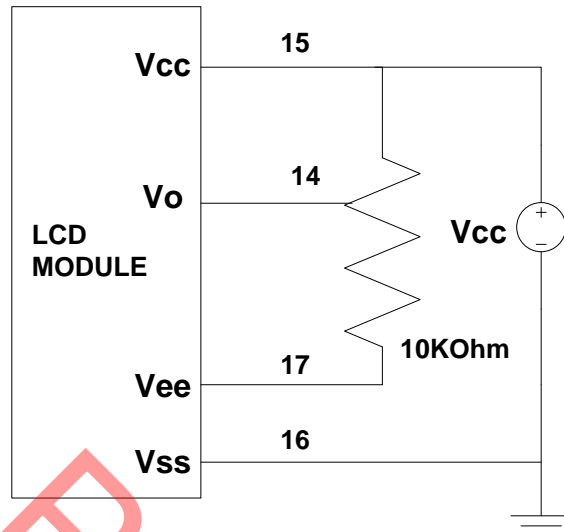


#### ■ Response Time

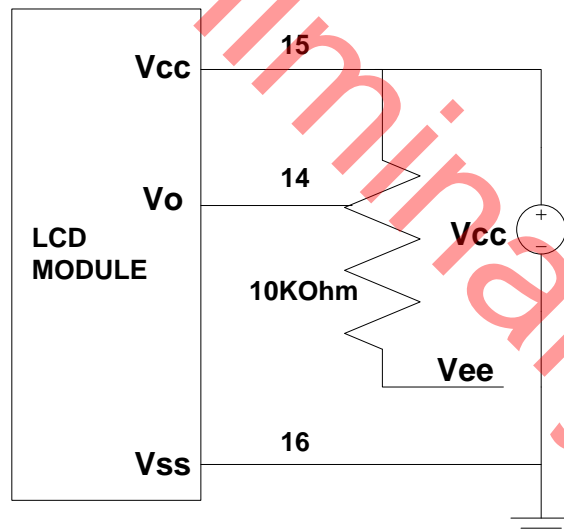


## 7. Power Supply for LCD Module and Contrast Adjust

## 7. Power Supply for LCD Module and Contrast Adjust



Contrast adjust by using internal Negative (Positive) voltage generator

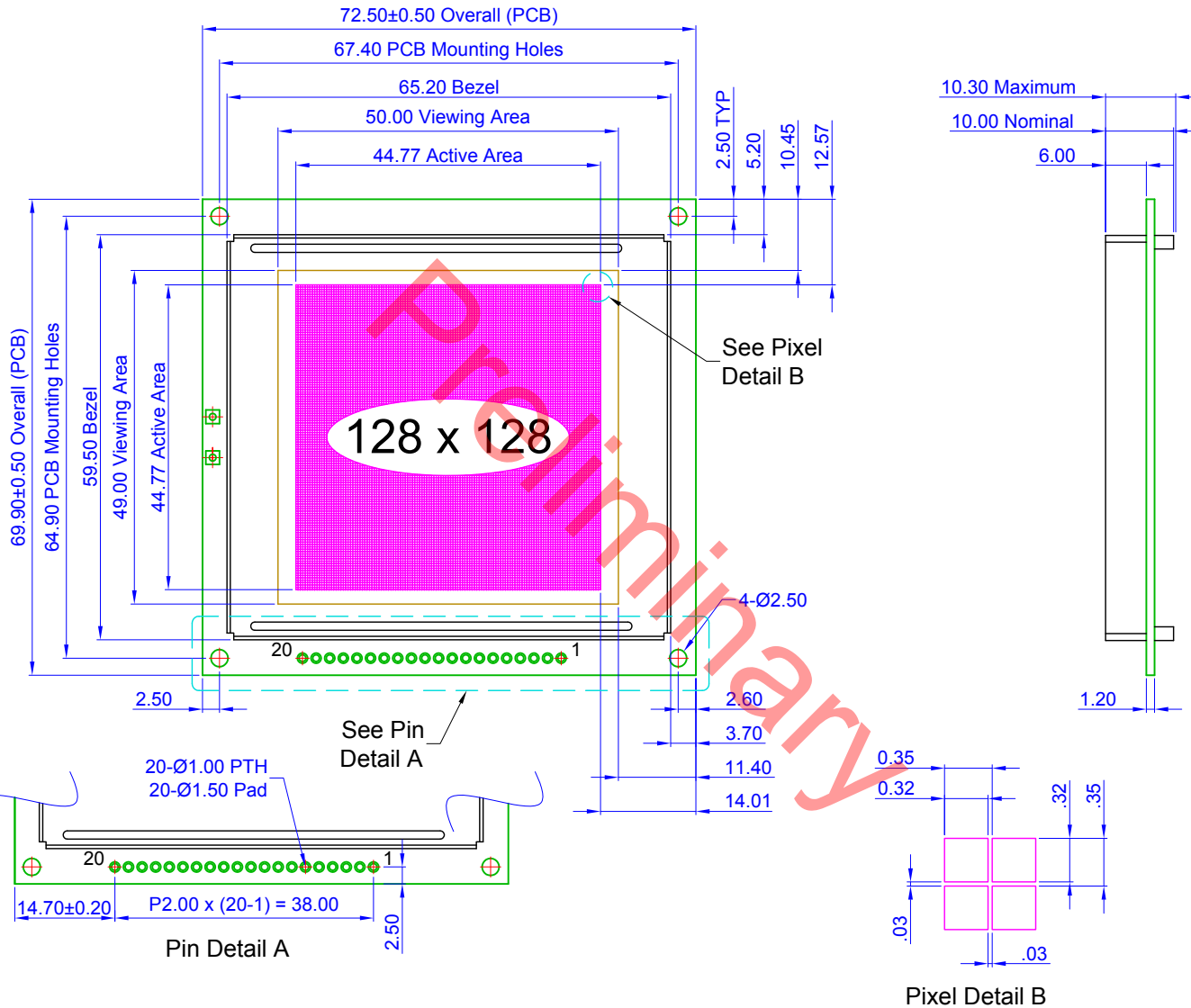


Contrast adjust by using external Negative (Positive) voltage generator



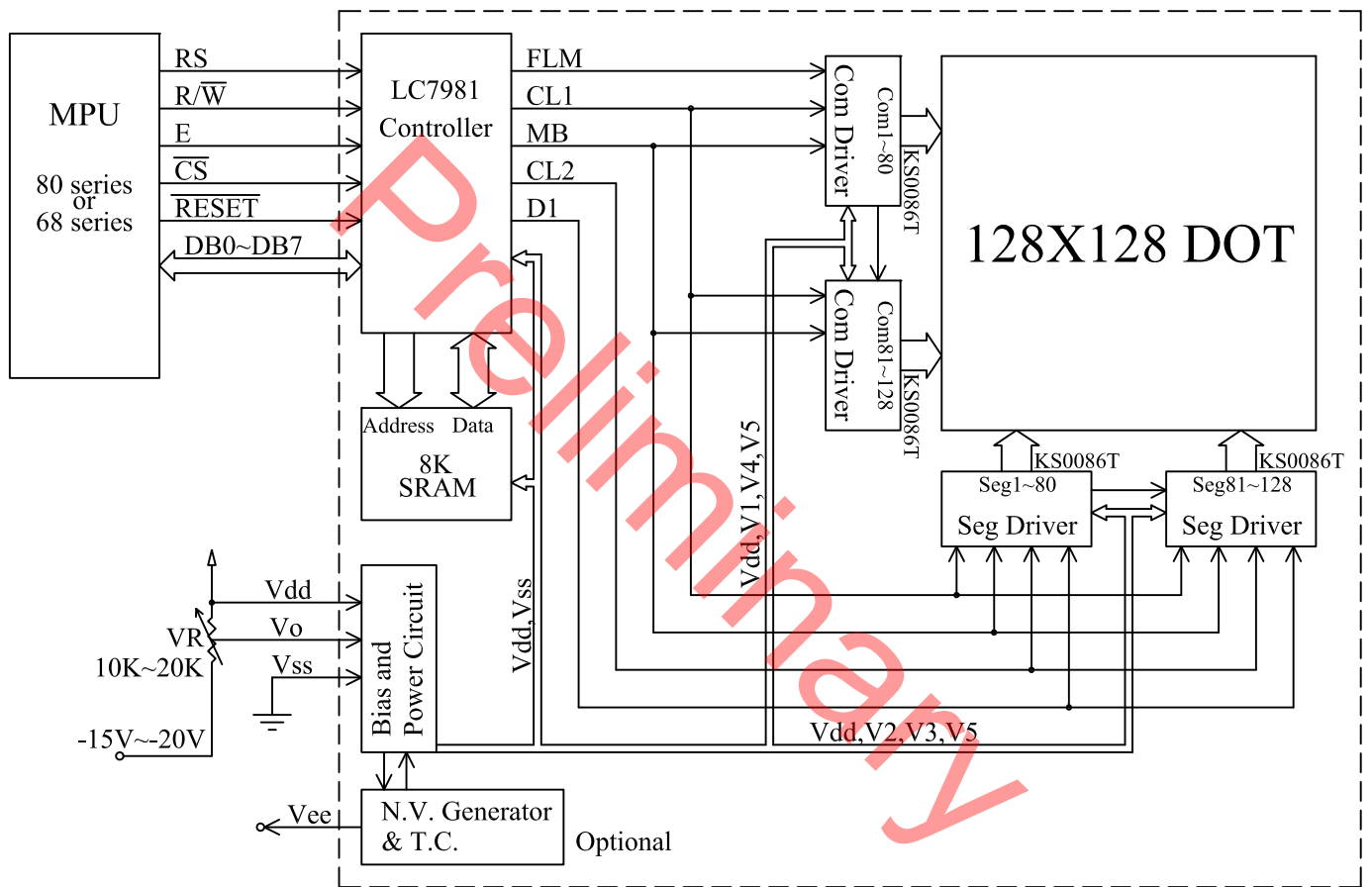
## 8. Interface Description

Pin	Symbol	Level	Description
1-8	DB0-DB7	H/L	Bidirectional databus connects to standard host databus.
9	RS	H/L	Register selection input. High: Data register (for read and write) Low: Instruction code (for write)
10	R/W	H/L	Host interface input. High: Read (Host→Module) Low: Write (Host←Module)
11	E	H/L	Enable
12	/CS	H,H→L	Chip select input. <i>Low:</i> Controller chip is selected. Communications with the host is possible. <i>High:</i> Controller chip is not selected. Host interface signals are ignored by the controller.
13	/RST	L	Reset signal input. <i>Low:</i> Display controller is reset. The RST pin should be pulsed low shortly after power is applied. <i>High:</i> The RST pin should be brought high for normal operation.
14	V <sub>O</sub>		Supply voltage for driving LCD.
15	V <sub>DD</sub>		Supply voltage for logic. Must be connected to an external source. Do NOT mix supply voltage and logic voltages.
16	V <sub>SS</sub>		Power Supply (GND). Must be connected to an external ground.
17	V <sub>EE</sub>		Negative voltage output.
18	NC		Make no connection
19	LED+		Supply voltage for LED. "A" (anode) or "+" of LED backlight
20	LED-		Supply voltage for LED. "K" (cathode or kathode for German and original Greek spelling) or "-" of LED backlight



Note: Tolerance is ±0.3 mm unless specified.





External contrast adjustment.

# 11. Built-in Character Generator

Upper 4 bit Lower 4 bit	LLLL	LLLH	LLHL	LLHH	LHLL	LHLH	LHHL	LHHH	HLLL	HLLH	HLHL	HLHH	HHLL	HHLH	HHHL	HHHH
LLLL			0	1	2	3	4	5	6			7	8	9	A	B
LLLH		.	!	"	#	\$	%	&	'	(	)	*	+	,	-	.
LLHL		"	!	0	1	2	3	4	5	6	7	8	9	:	;	<
LLHH		0	1	2	3	4	5	6	7	8	9	:	;	<	=	>
LHLL		@	A	B	C	D	E	F	G	H	I	J	K	L	M	N
LHLH		@	A	B	C	D	E	F	G	H	I	J	K	L	M	N
LHHL		@	A	B	C	D	E	F	G	H	I	J	K	L	M	N
LHHH		@	A	B	C	D	E	F	G	H	I	J	K	L	M	N
HLLL		<	=	>	?	@	A	B	C	D	E	F	G	H	I	J
HLLH		>	?	@	A	B	C	D	E	F	G	H	I	J	K	L
HLHL		*	+	,	-	.	:	;	<	=	>	?	@	A	B	C
HLHH		+	,	-	.	:	;	<	=	>	?	@	A	B	C	D
HHLL		.	<	=	>	?	@	A	B	C	D	E	F	G	H	I
HHLH		-	.	<	=	>	?	@	A	B	C	D	E	F	G	H
HHHL		.	?	@	A	B	C	D	E	F	G	H	I	J	K	L
HHHH		/	?	@	A	B	C	D	E	F	G	H	I	J	K	L

# 12. Reliability

Content of Reliability Test (wide temperature, -20°C~70°C)

Environmental Test			
Test Item	Content of Test	Test Condition	Note
High Temperature storage	Endurance test applying the high storage temperature for a long time.	80°C 200hrs	2
Low Temperature storage	Endurance test applying the high storage temperature for a long time.	-30°C 200hrs	1,2
High Temperature Operation	Endurance test applying the electric stress (Voltage & Current) and the thermal stress to the element for a long time.	70°C 200hrs	—
Low Temperature Operation	Endurance test applying the electric stress under low temperature for a long time.	-20°C 200hrs	1
High Temperature/ Humidity Operation	The module should be allowed to stand at 60°C,90%RH max For 96hrs under no-load condition excluding the polarizer, Then taking it out and drying it at normal temperature.	60°C,90%RH 96hrs	1,2
Thermal shock resistance	The sample should be allowed stand the following 10 cycles of operation -20°C 25°C 70°C  30min 5min 30min 1 cycle	-20°C/70°C 10 cycles	—
Vibration test	Endurance test applying the vibration during transportation and using.	Total fixed amplitude : 1.5mm Vibration Frequency : 10~55Hz  One cycle 60 seconds to 3 directions of X,Y,Z for Each 15 minutes	3
Static electricity test	Endurance test applying the electric stress to the terminal.	VS=800V,RS=1.5kΩ CS=100pF 1 time	—

Note1: No dew condensation to be observed.

Note2: The function test shall be conducted after 4 hours storage at the normal Temperature and humidity after remove from the test chamber.

Note3: Vibration test will be conducted to the product itself without putting it in a container.

## 13. Backlight Information

### Specification

PARAMETER	SYMBOL	MIN	TYP	MAX	UNIT	TEST CONDITION
Supply Current	I <sub>LED</sub>	64	80	120	mA	V=3.2V
Supply Voltage	V	3.4	3.5	3.6	V	—
Reverse Voltage	V <sub>R</sub>	—	—	5	V	—
Luminous Intensity	I <sub>V</sub>	120	140	—	CD/M <sup>2</sup>	I <sub>LED</sub> =80mA
Wave Length	Δp	—	X=0.30 Y=0.31	—	nm	I <sub>LED</sub> =80mA
Life Time	—	—	10000	—	Hr.	I <sub>LED</sub> =80mA
Color	WHITE					

**Note:** The LED of B/L is drive by current only ; driving voltage is only for reference  
To make driving current in safety area (waste current between minimum and maximum).

### LED B\L Drive Method Drive from A , K

