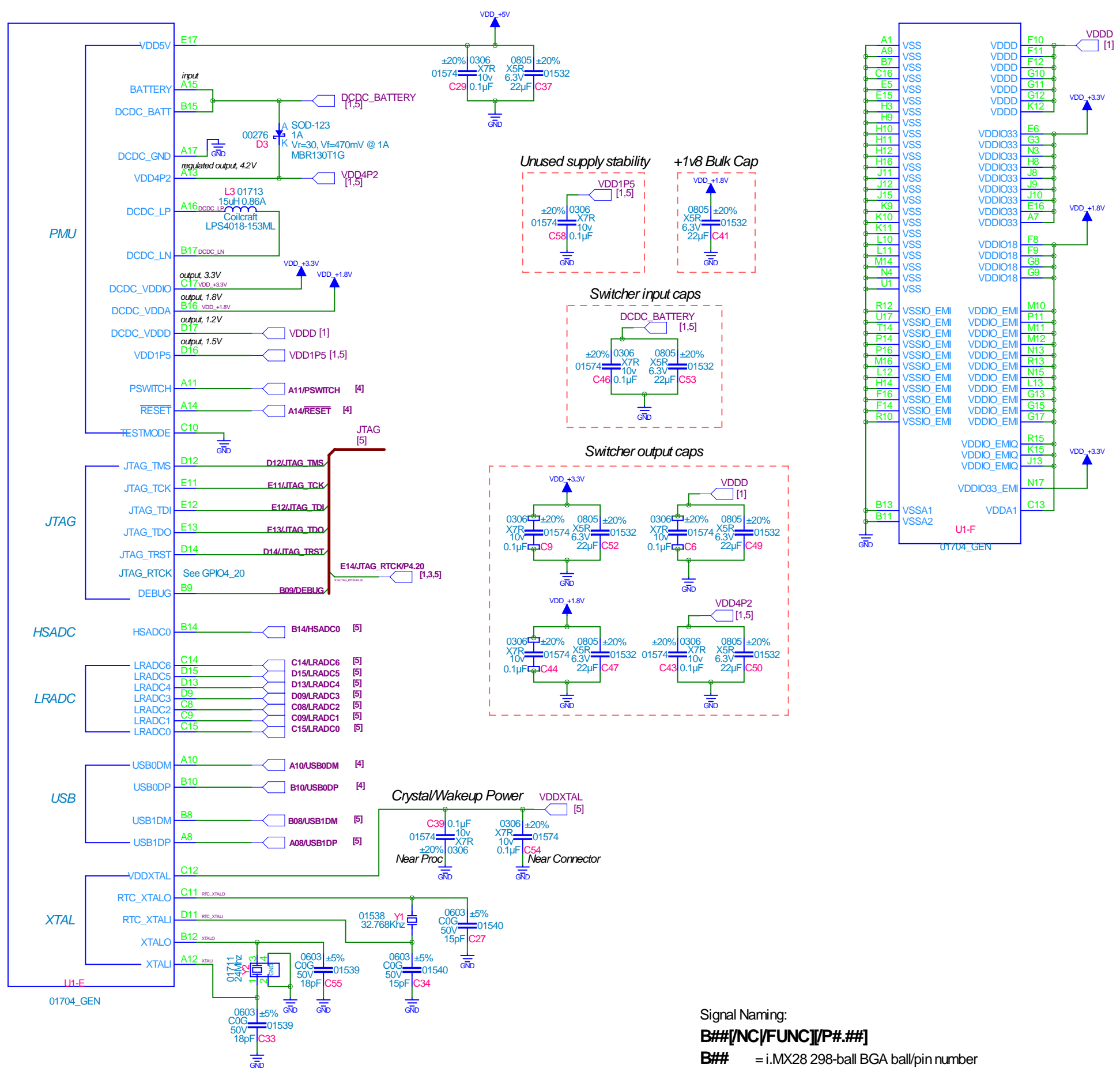
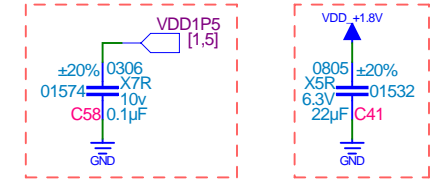


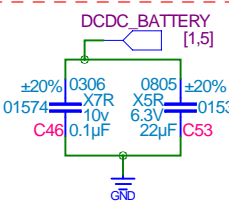
REV	ENGINEER	DATE	REMARKS
v0.0	RJE	2011/02/21	Initial Creation
0v1	BAC	2011-12-16	Second Prototype Run
0v2	BAC	2012-09-25	Additional Proto Run, new OLED
1.0	BAC	2013-01-14	-
-	-	-	-



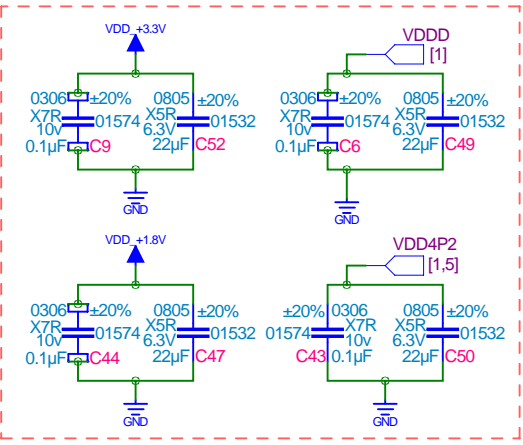
Unused supply stability +1v8 Bulk Cap



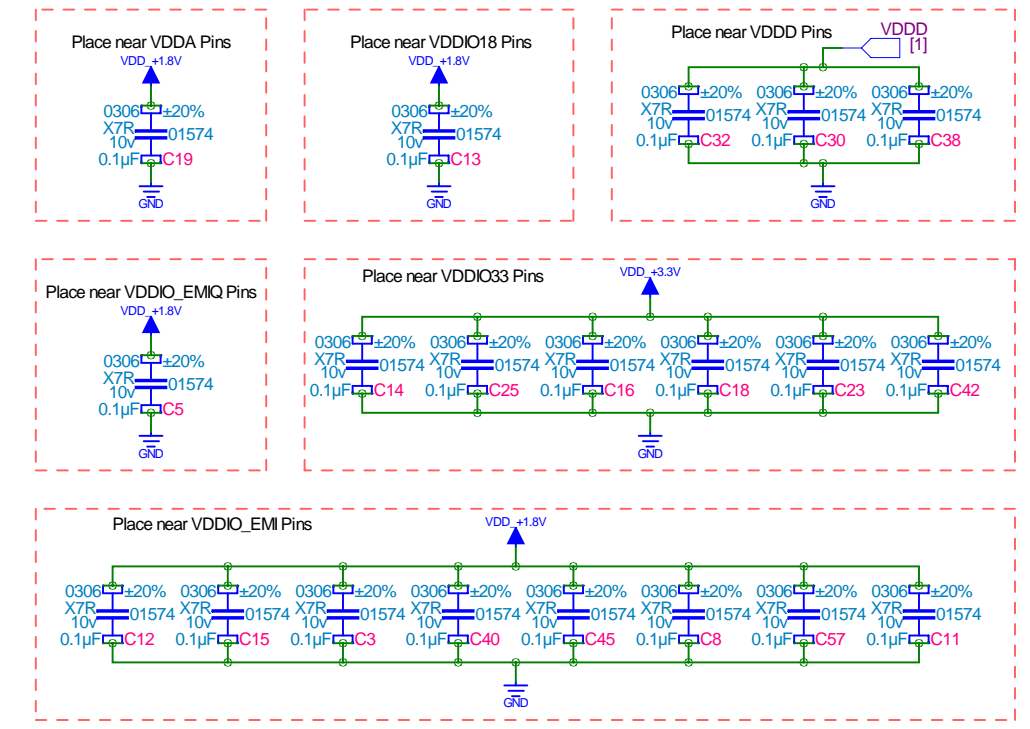
Switcher input caps



Switcher output caps



Processor Supply Decoupling



Signal Naming:
B##/[NC]/FUNC[/P#.#]
B## = i.MX28 298-ball BGA ball/pin number
NC = No connect on i.MX283 processor
FUNC = dedicated function on 10K36, or i.MX28 dedicated function
P#.# = GPIO port bank and pin

Crystalfontz America, Inc.

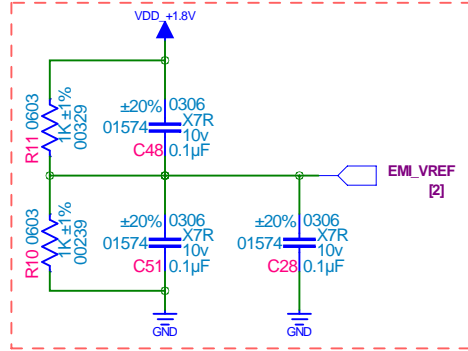
Am9 + Linux SOM with Freescale i.MX28

Page 1 / 5: PROCESSOR_POWER

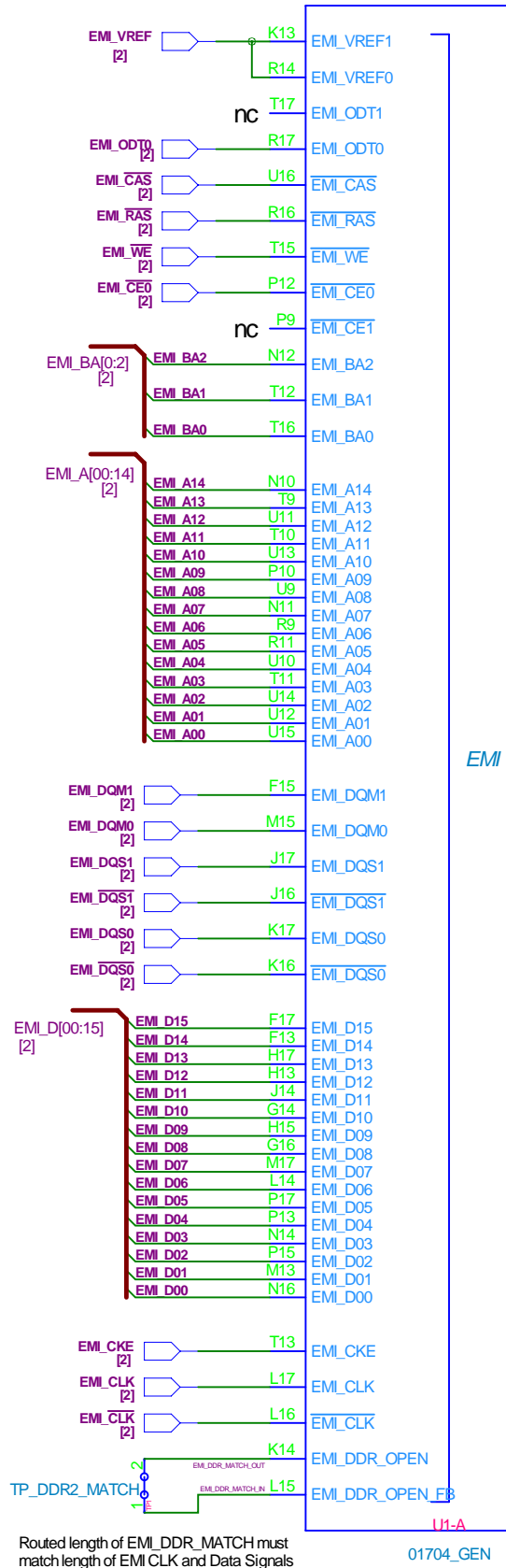
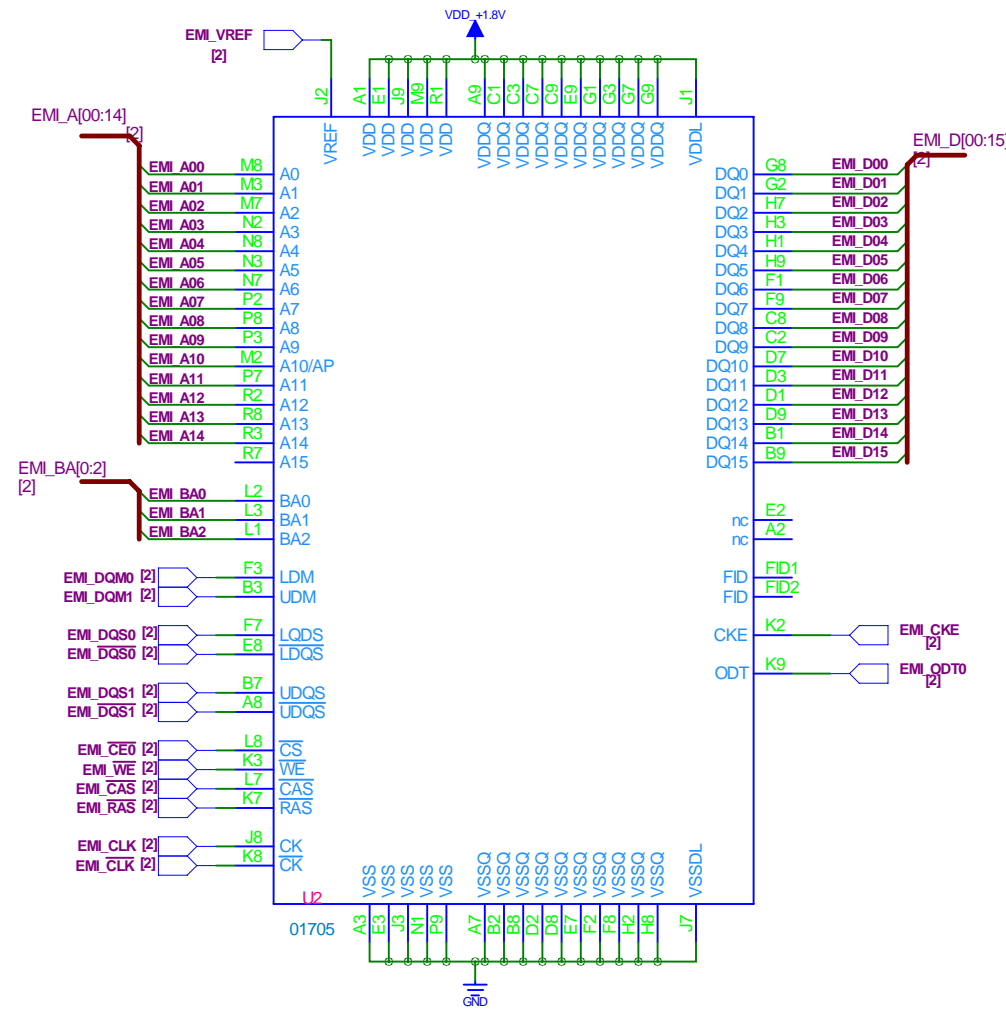
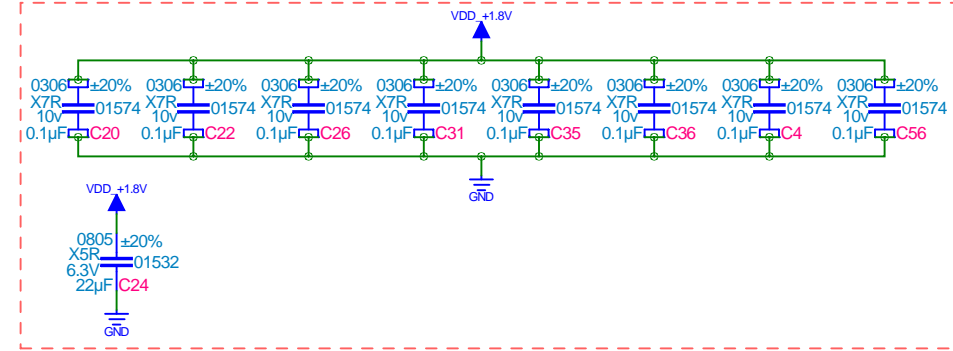
FILE NAME:
CFA-10036

REVISION:
1.0

DDR VREF VDD/2 Supply



Supply Decoupling



Routed length of EMI_DDR_MATCH must match length of EMI_CLK and Data Signals

01704_GEN

REV	ENGINEER	DATE	REMARKS
v0.0	RJE	2011/02/21	Initial Creation
0v1	BAC	2011-12-16	Second Prototype Run
0v2	BAC	2012-09-25	Additional Proto Run, new OLED
1.0	BAC	2013-01-14	-
-	-	-	-

CrystalFontz America, Inc.

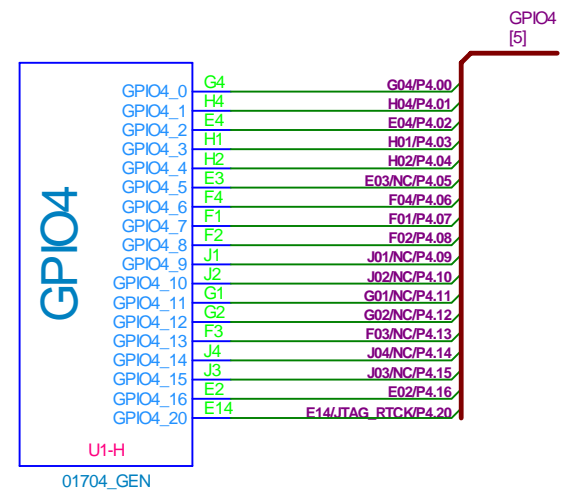
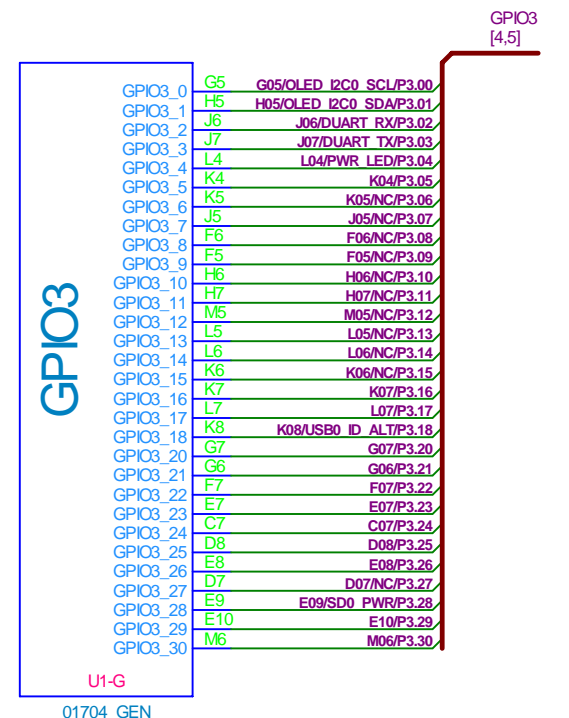
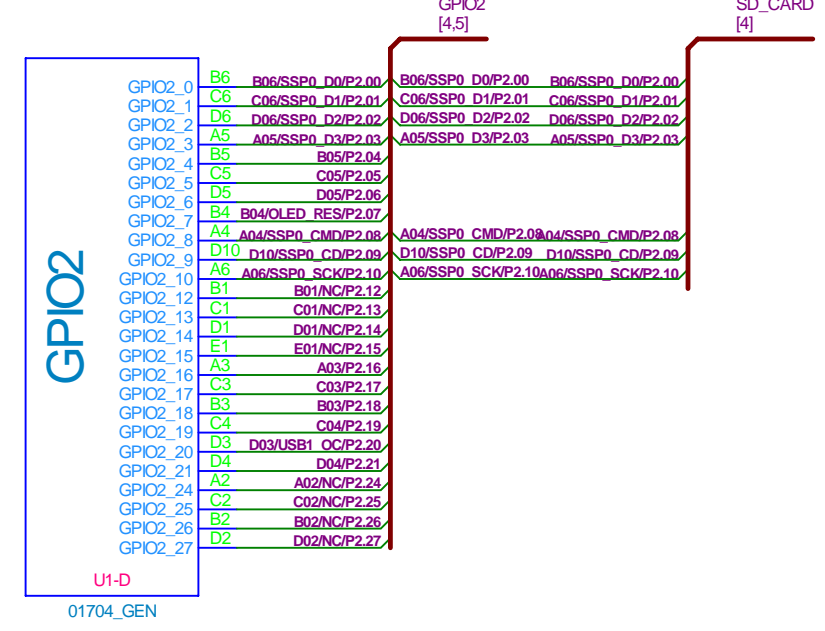
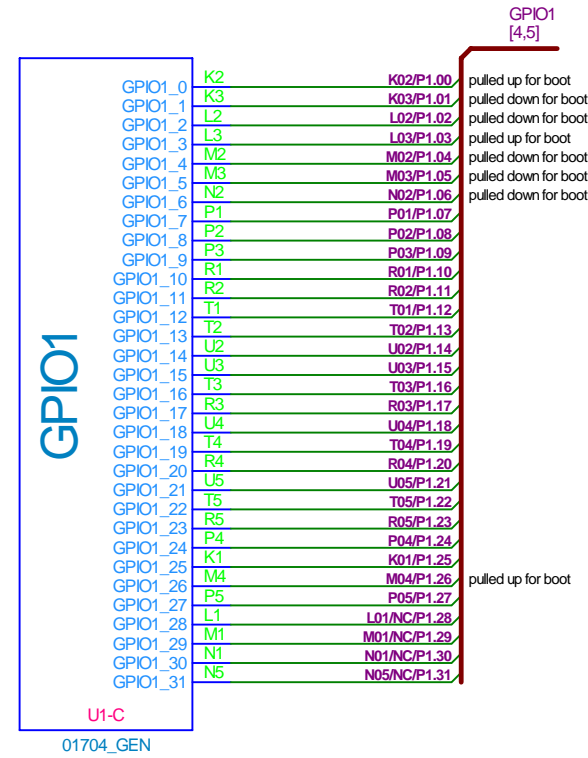
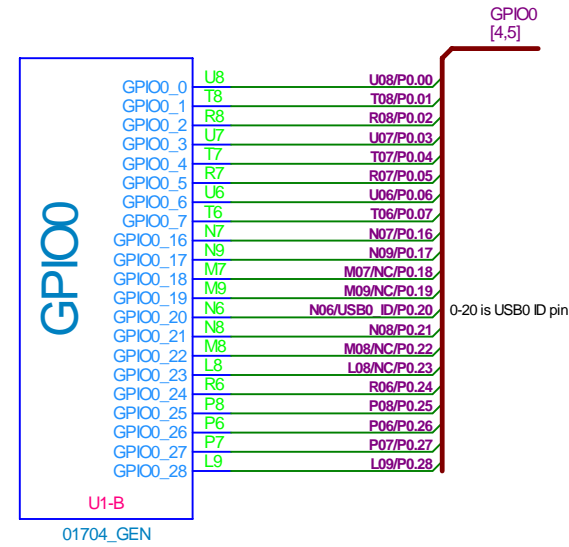
Am9 + Linux SOM with Freescale i.MX28

Page 2 / 5: DDR2_MEMORY

FILE NAME:
CFA-10036

REVISION:
1.0

REV	ENGINEER	DATE	REMARKS
v0.0	RJE	2011/02/21	Initial Creation
0v1	BAC	2011-12-16	Second Prototype Run
0v2	BAC	2012-09-25	Additional Proto Run, new OLED
1.0	BAC	2013-01-14	-
-	-	-	-



Signal Naming:
B##/[NC]/FUNC[/P#.##]
B## = i.MX28 298-ball BGA ball/pin number
NC = No connect on i.MX283 processor
FUNC = dedicated function on 10K36, or i.MX28 dedicated function
P#.## = GPIO port bank and pin



Am9 + Linux SOM with Freescale i.MX28

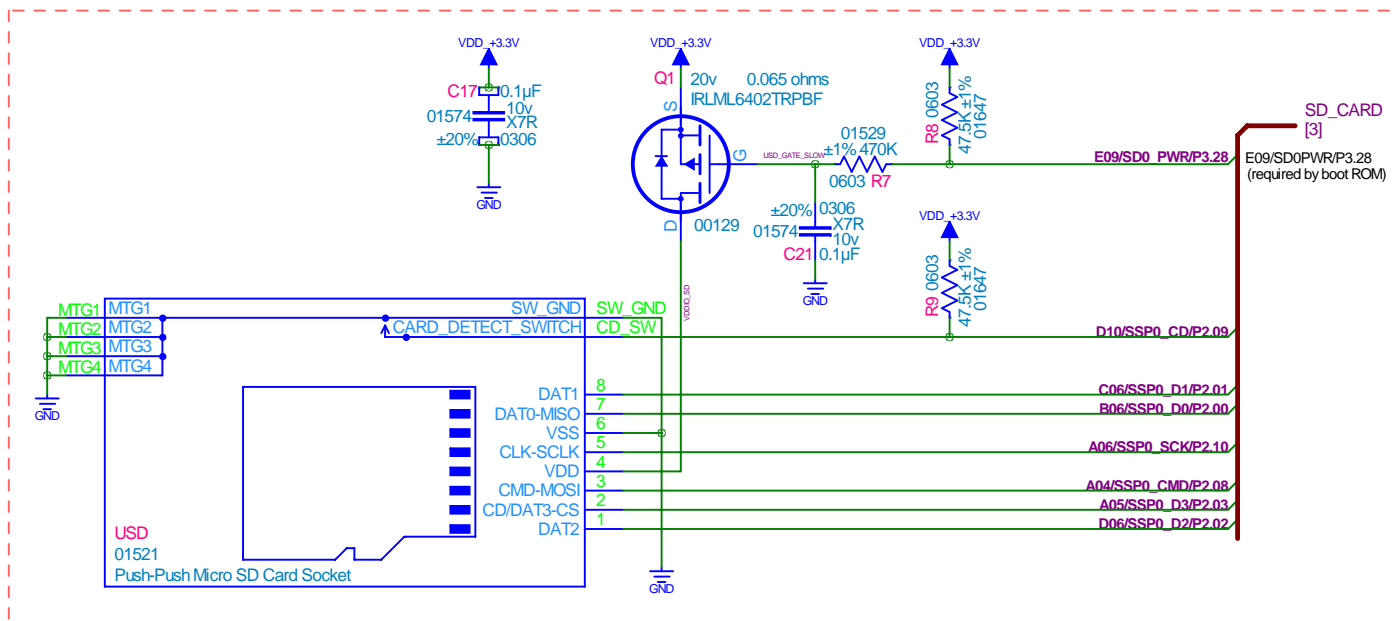
Page 3 / 5: PROPROCESSOR_GPIO

FILE NAME:
CFA-10036

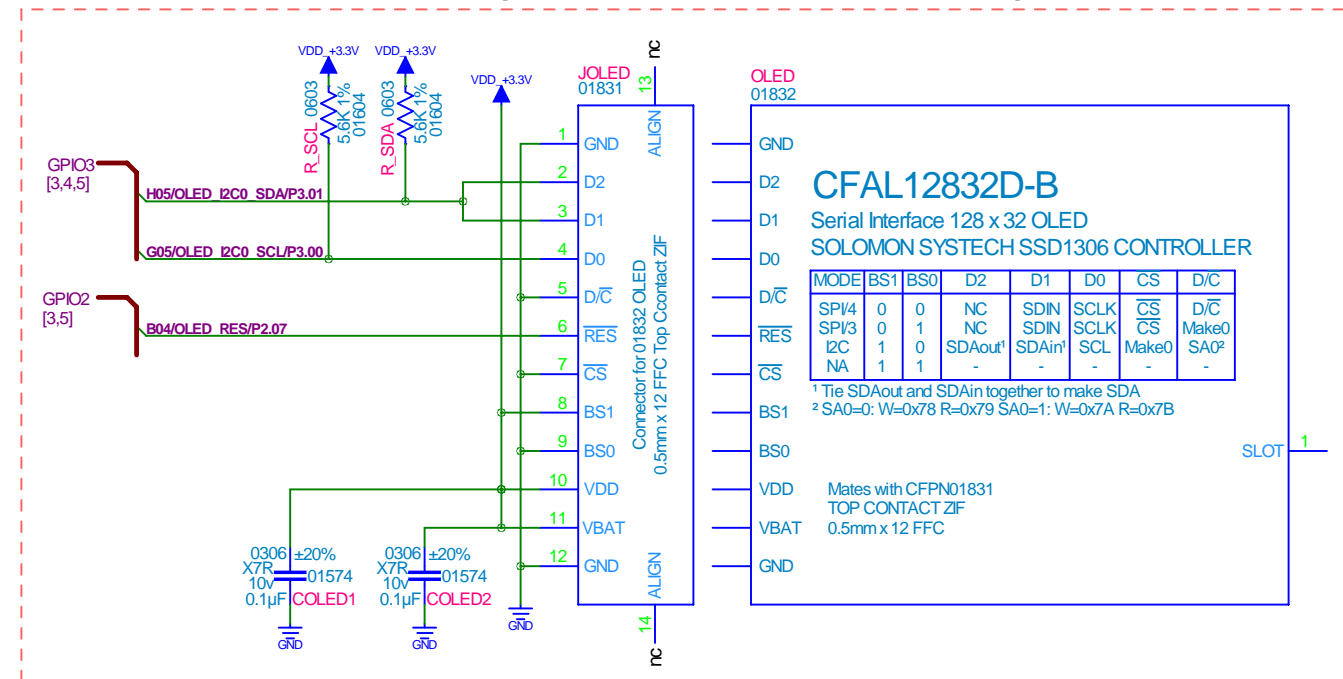
REVISION:
1.0

REV	ENGINEER	DATE	REMARKS
v0.0	RJE	2011/02/21	Initial Creation
0v1	BAC	2011-12-16	Second Prototype Run
0v2	BAC	2012-09-25	Additional Proto Run, new OLED
1.0	BAC	2013-01-14	New DUART pinout, added 47K pullup to Rx
-	-	-	-

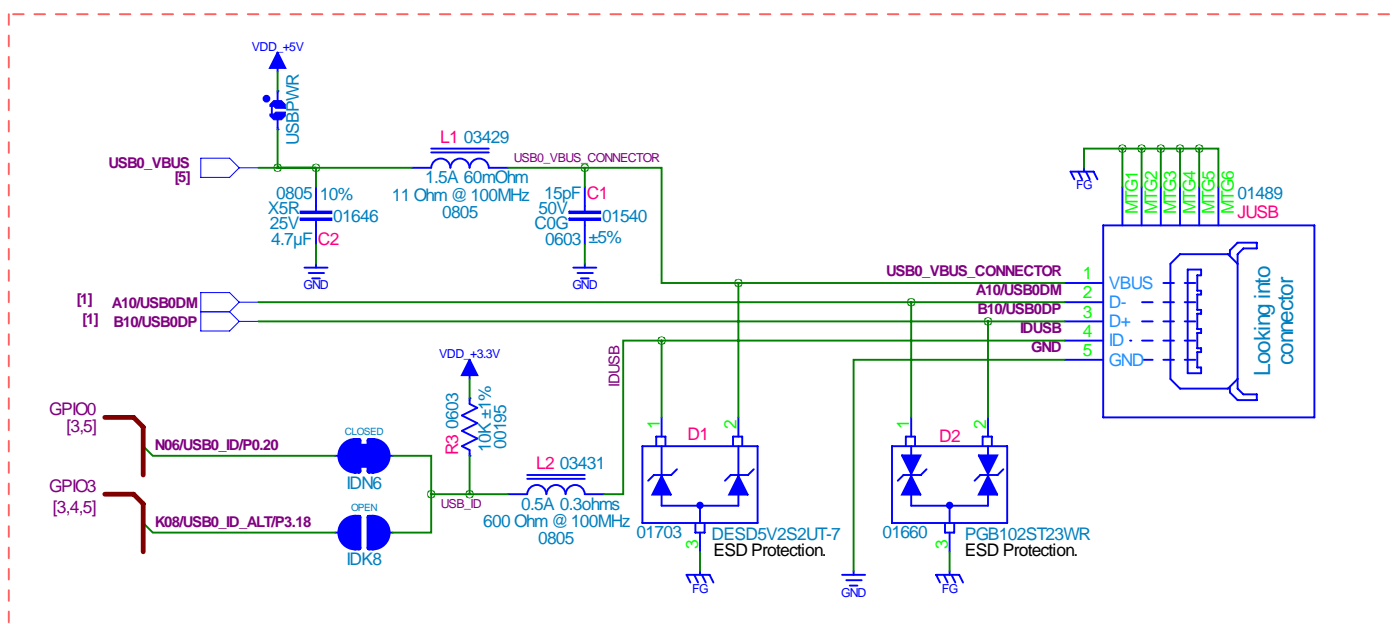
Micro SDHC Card (boot and storage)



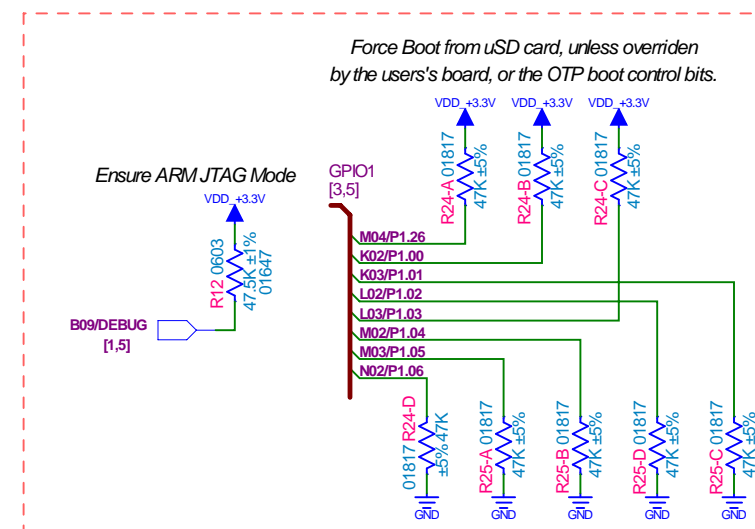
Status OLED (Connector installed, OLED DNP)



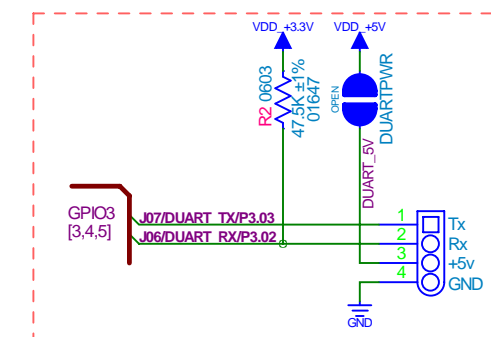
USB micro-AB Connector



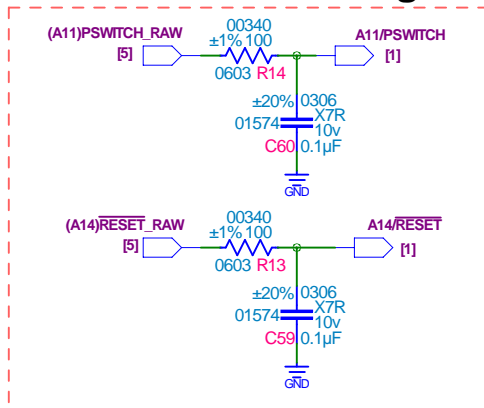
Boot Control



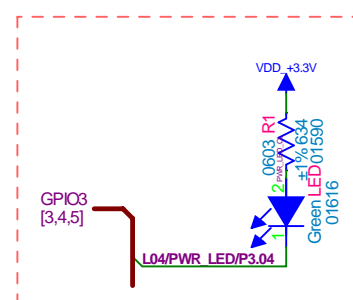
DUART



Power & Reset Switch Switch Conditioning



Power/Status LED



Signal Naming:

B##/[NC]/FUNC[/P#.##]

B## = i.MX28 298-ball BGA ball/pin number

NC = No connect on i.MX283 processor

FUNC = dedicated function on 10K36, or i.MX28 dedicated function

P#.## = GPIO port bank and pin

Crystalfontz America, Inc.

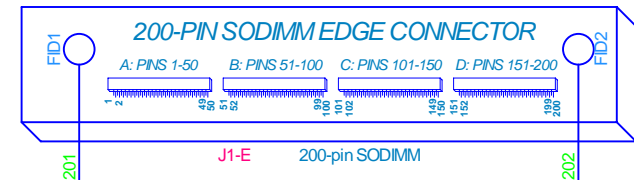
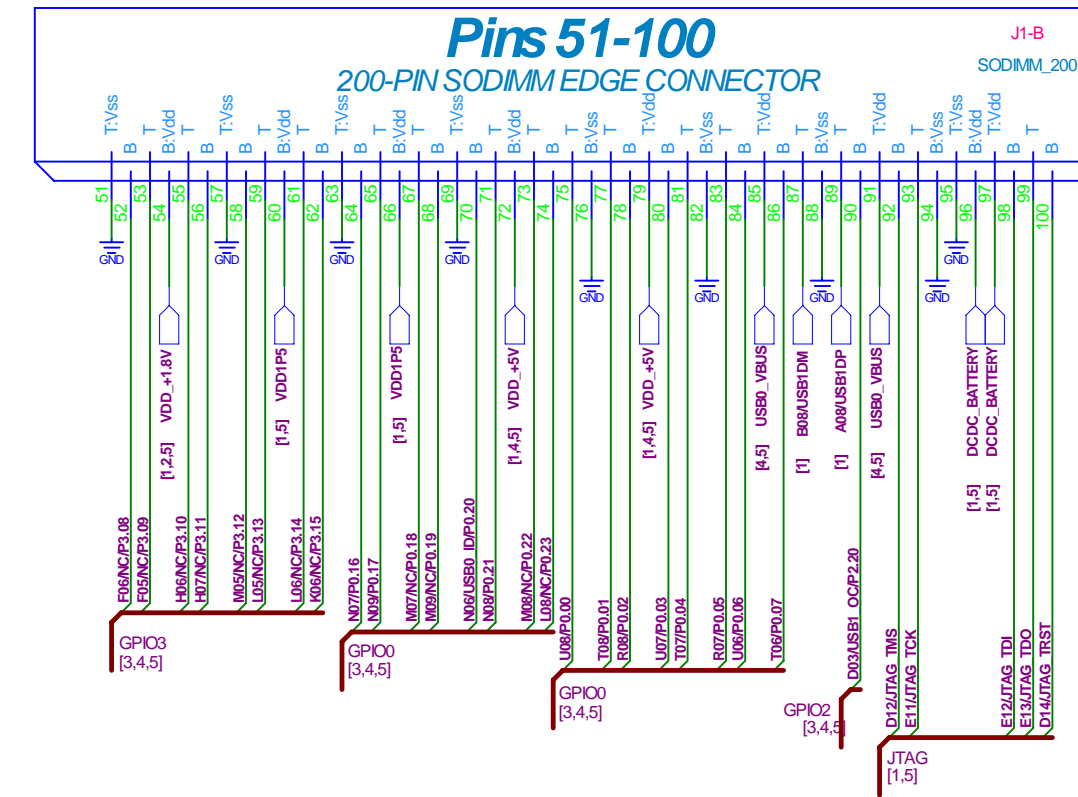
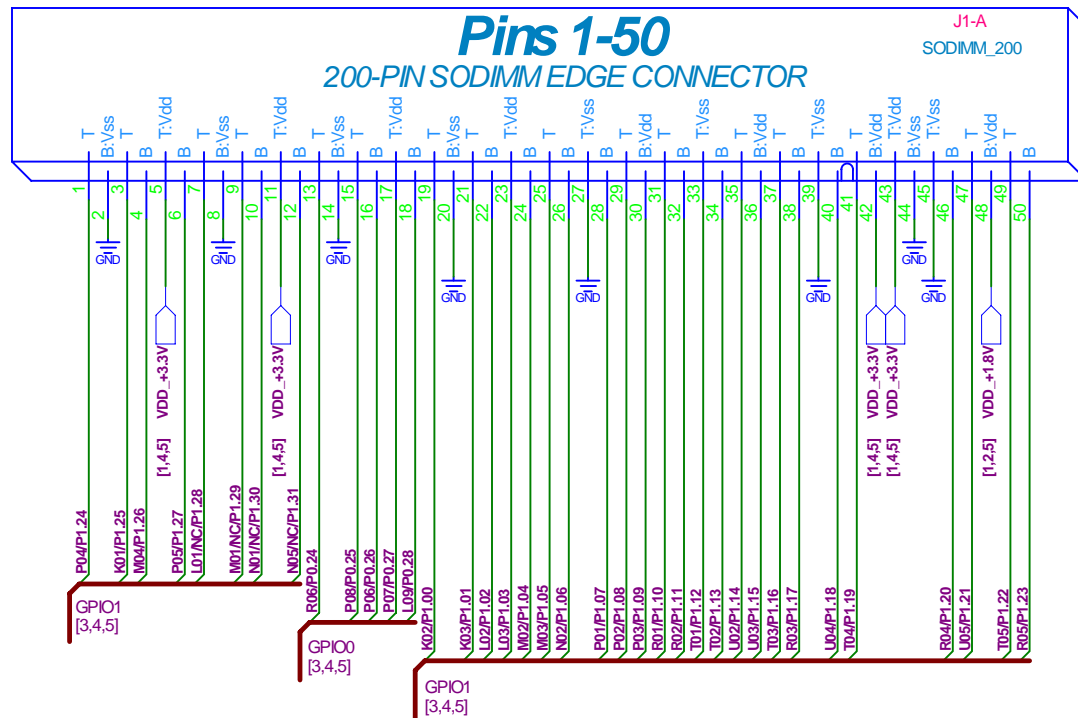
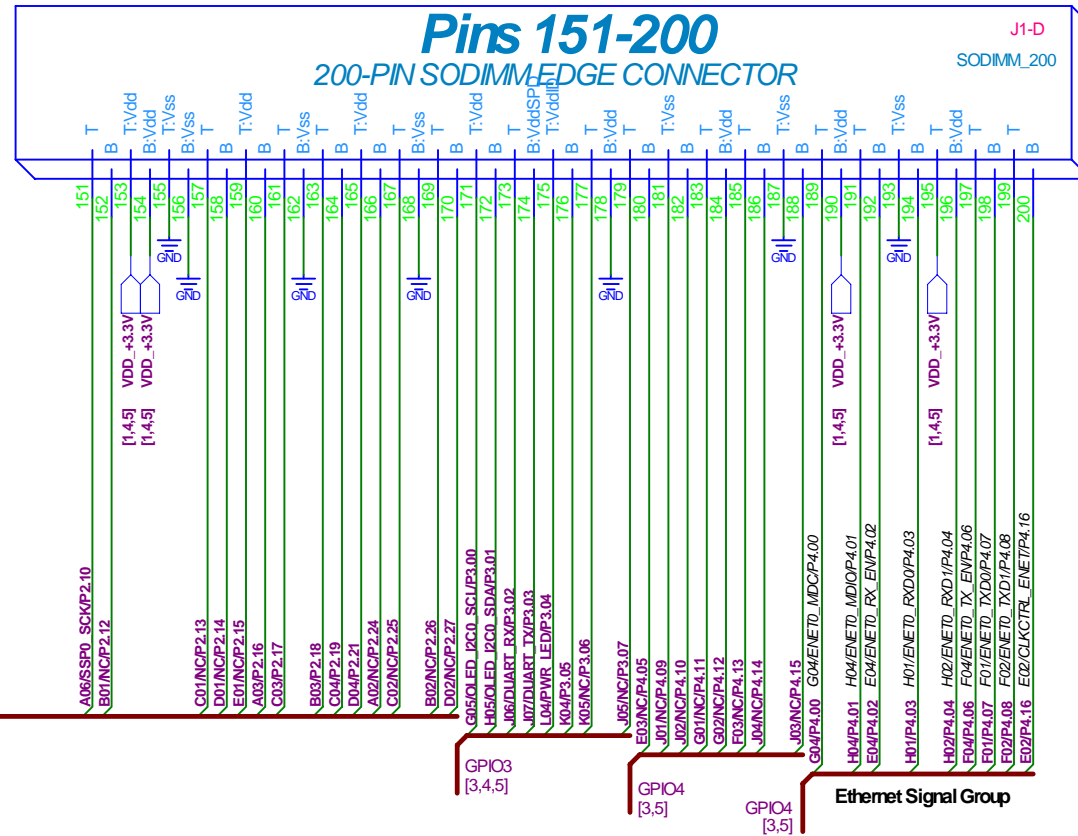
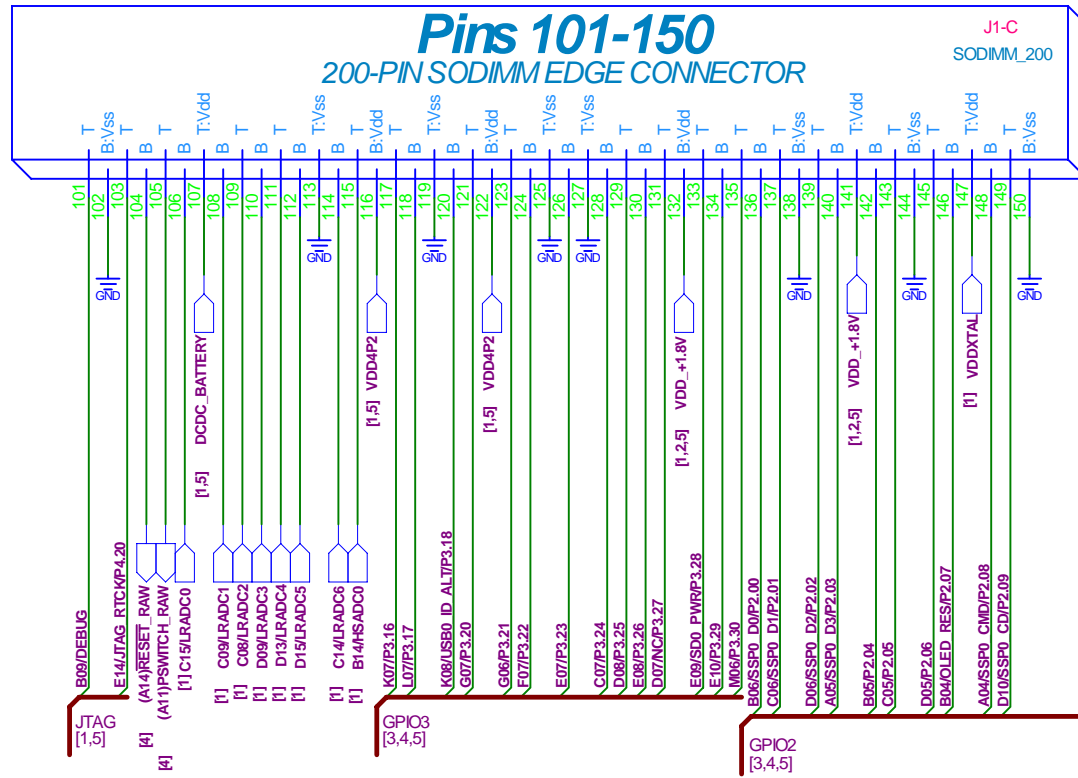
Am9 + Linux SOM with Freescale i.MX28

Page 4 / 5: PERIPHERALS

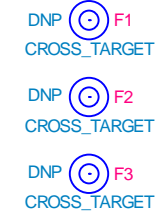
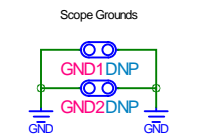
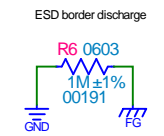
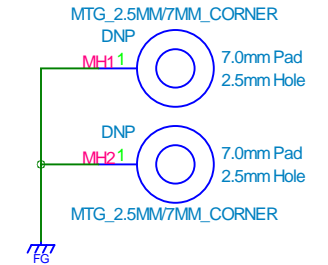
FILE NAME:
CFA-10036

REVISION:
1.0

REV	ENGINEER	DATE	REMARKS
v0.0	RJE	2011/02/21	Initial Creation
0v1	BAC	2011-12-16	Second Prototype Run
0v2	BAC	2012-09-25	Additional Proto Run, new OLED
1.0	BAC	2013-01-14	-
-	-	-	-



Signal Naming:
B##/[NC]/FUNC[/P#.##]
B## = i.MX28 298-ball BGA ball/pin number
NC = No connect on i.MX283 processor
FUNC = dedicated function on 10K36, or i.MX28 dedicated function
P#.## = GPIO port bank and pin



Crystalfontz America, Inc.

Am9 + Linux SOM with Freescale i.MX28

Page 5 / 5: SODIMM_CONNECTOR

FILE NAME:
CFA-10036

REVISION:
1.0