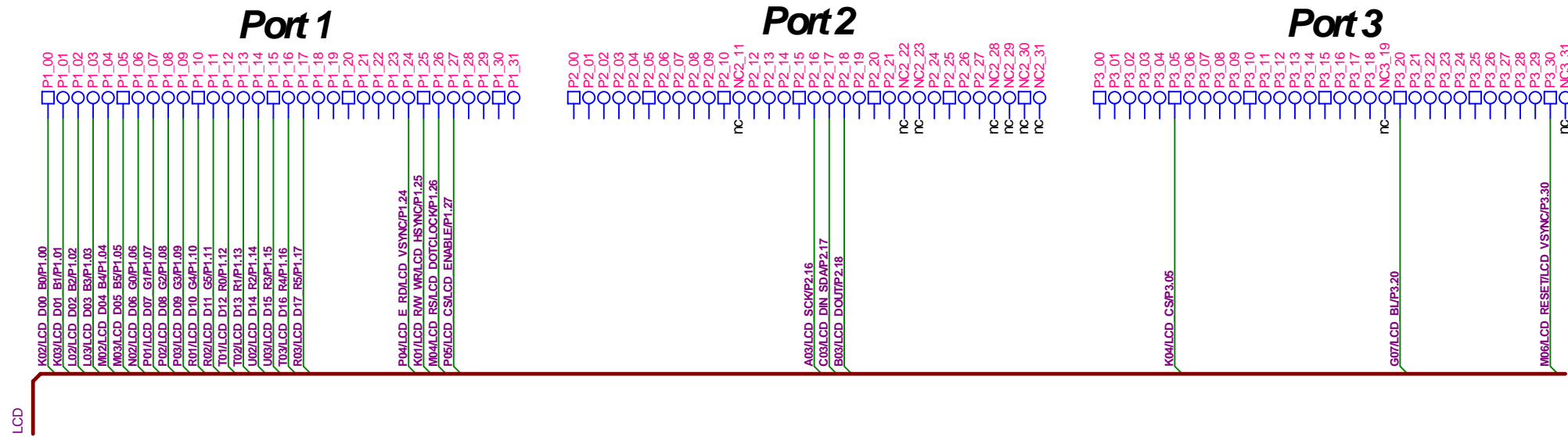
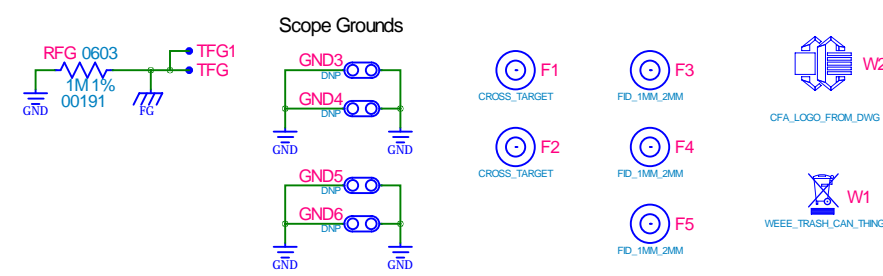
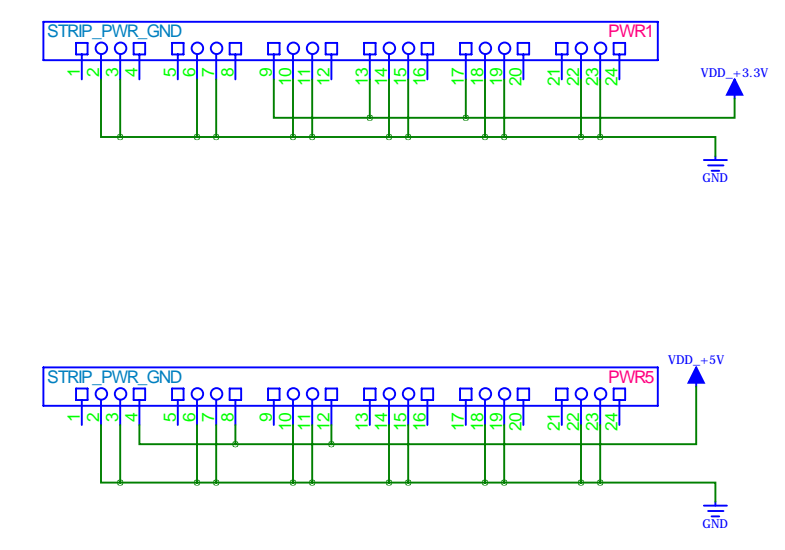
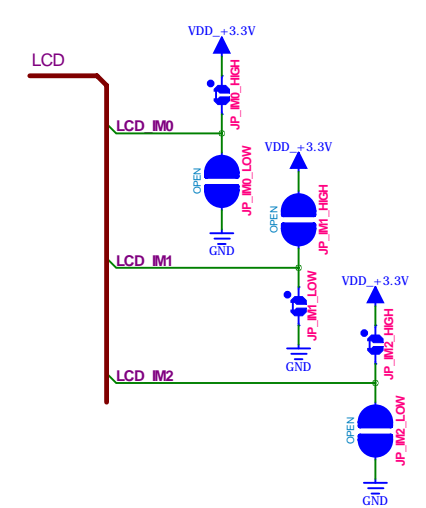
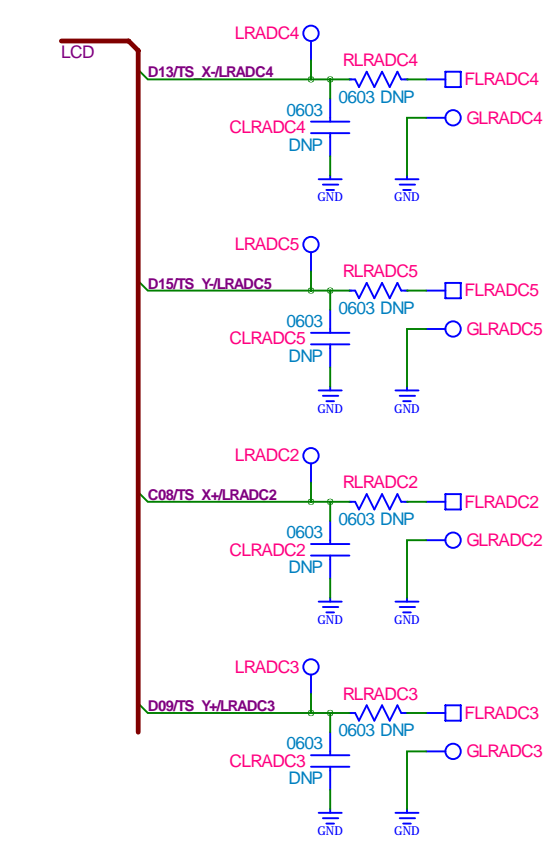


REV	ENGINEER	DATE	REMARKS
0.1	BAC	2013-02-14	Initial Creation
-	-	-	-
-	-	-	-
-	-	-	-



Signal Naming:
B##/[NC/FUNC]/P#.##
B## = i.MX28 298-ball BGA ball/pin number
NC = No connect on i.MX283 processor
FUNC = dedicated function on 10K36, or i.MX28 dedicated function
P#.## = GPIO port bank and pin



Crystalfontz America, Inc.

CFA-10055: TFT LCD Demo Board for CFA-10037

Page 1 / 2 : Connections to CFA-10037

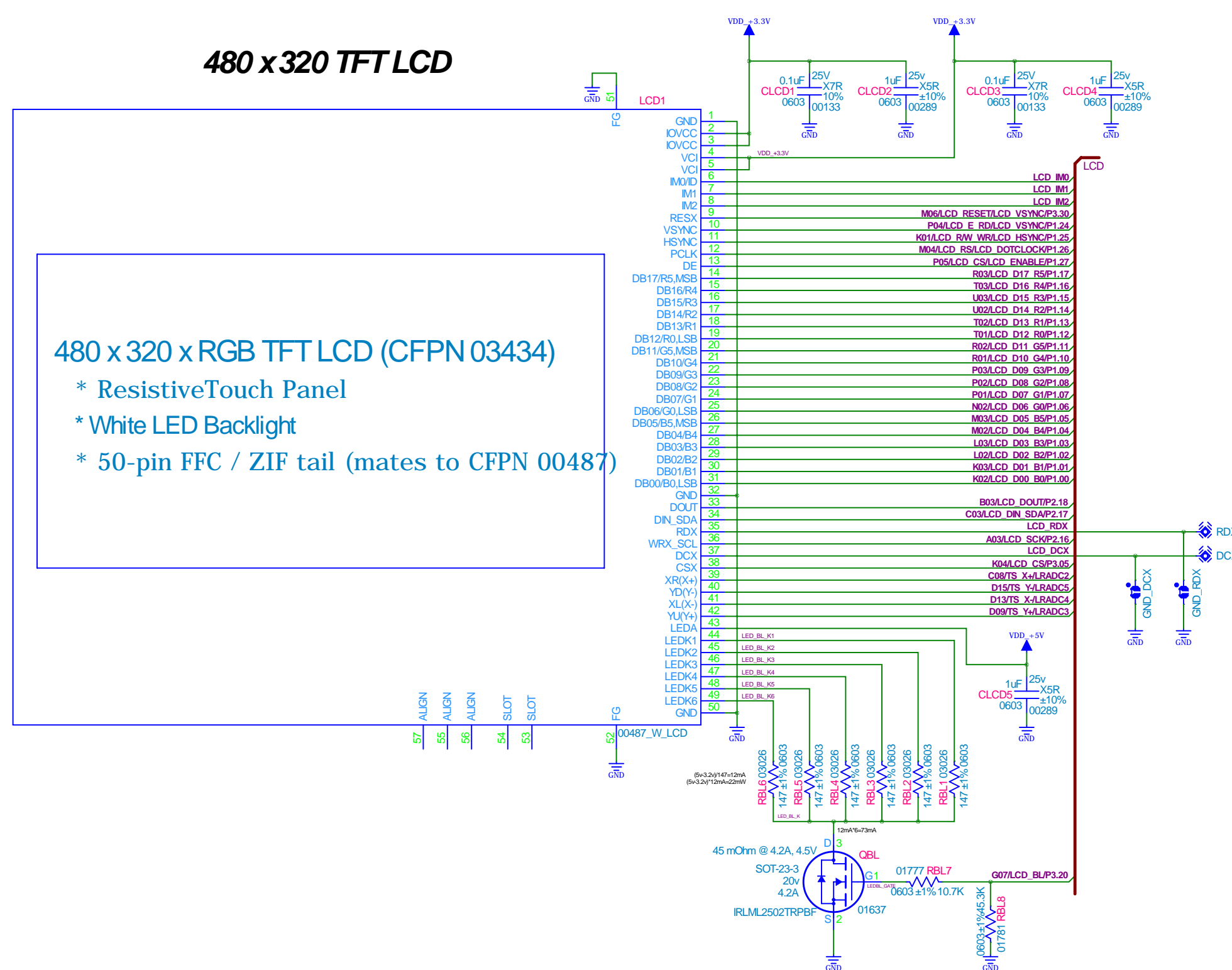
FILE NAME: **CFA-10055.SCH** REVISION: **0.1**

REV	ENGINEER	DATE	REMARKS
0.1	BAC	2013-02-14	Initial Creation
-	-	-	-
-	-	-	-
-	-	-	-
-	-	-	-

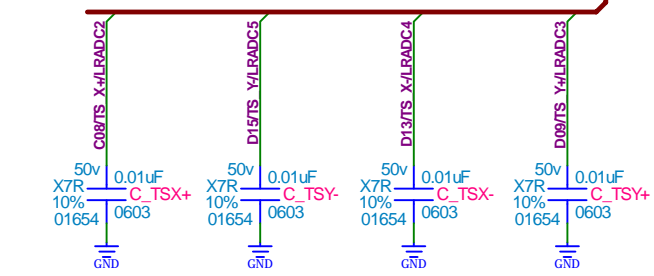
480 x 320 TFT LCD

480 x 320 x RGB TFT LCD (CFPN 03434)

- * Resistive Touch Panel
- * White LED Backlight
- * 50-pin FFC / ZIF tail (mates to CFPN 00487)



Touch Screen Filter



Signal Naming:
B##/[NC/FUNC]/P#.##
B## = i.MX28 298-ball BGA ball/pin number
NC = No connect on i.MX283 processor
FUNC = dedicated function on 10K36, or i.MX28 dedicated function
P#.## = GPIO port bank and pin



CFA-10055: TFT LCD Demo Board for CFA-10037

Page 2 / 2 : 480 x 320 TFT LCD w/Touch

FILE NAME: CFA-10055.SCH

REVISION: 0.1