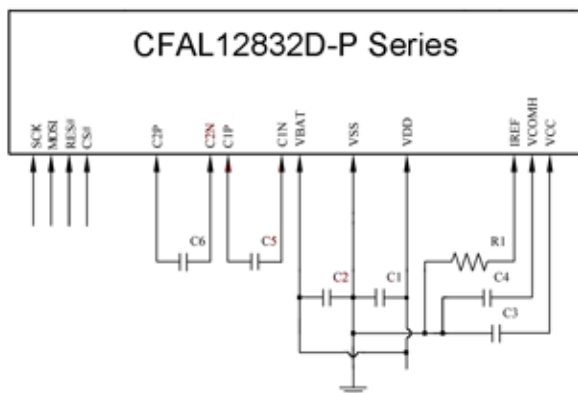




CFAL12832D-P Series DC-DC Reference Schematic



C1, C2, C5, C6: 1 μ F

C3, C4: 2.2 μ F

R1: 390K Ω

Note: $R1 = (V@I_{ref} - V_{SS}) / I_{ref}$