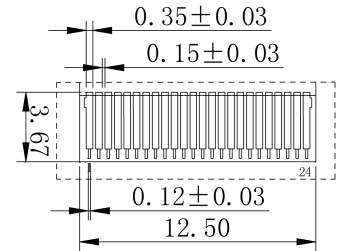
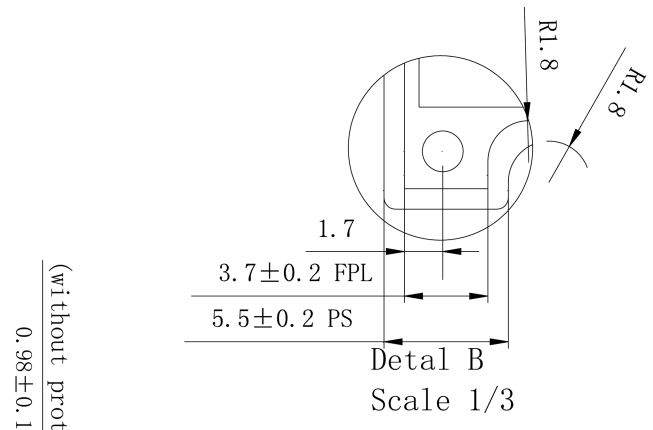


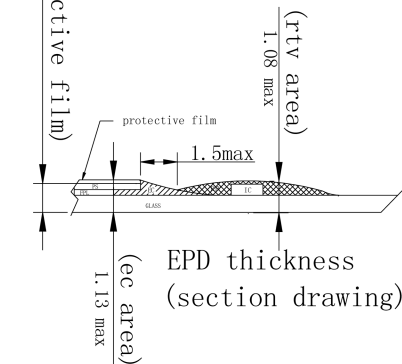
Pixel size
scale 1/100



Detail A
Scale 1/2.5



Detail B
Scale 1/3



EPD thickness
(section drawing)

- ①UV Dispense (Height: max 0.65mm)
- ②EPD thickness(with ec: max 1.13mm)
- ③ A area :the active area
B area :the area of fpl outside of the active area
- ④Resolution:212gate*104source

Note: Drawing is deemed accurate but not guaranteed.