



TFT DISPLAY MODULE DATASHEET



Datasheet Release Date 2017-09-12

for

CFAF800480A-050T-TS

Crystalfontz America, Inc.

12412 East Saltese Avenue
Spokane Valley, WA 99216-0357

Phone: 888-206-9720

Fax: 509-892-1203

Email: support@crystalfontz.com

URL: www.crystalfontz.com

CONTENTS

1. General Information	3
2. Module Description	4
3. Features	4
4. Mechanical Data	4
5. Mechanical Drawing	5
6. Interface Pin Function	6
7. System Block Diagram	7
8. Absolute Maximum Ratings	8
9. Electrical Characteristics	8
10. Optical Characteristics	9
11. Backlight Characteristics	9
12. LCD Module Precautions	10

1. General Information

Datasheet Revision History

Datasheet Release: **2017-09-12**
Datasheet for the CFAF800480A-050T-TS TFT graphic display module.

Product Change Notifications

You can check for or subscribe to [Part Change Notices](#) for this display module on our website.

Variations

Slight variations between lots are normal (e.g., contrast, color, or intensity).

Volatility

This display module has volatile memory.

Disclaimer

Certain applications using CrystalFontz America, Inc. products may involve potential risks of death, personal injury, or severe property or environmental damage ("Critical Applications"). CRYSTALFONTZ AMERICA, INC. PRODUCTS ARE NOT DESIGNED, INTENDED, AUTHORIZED, OR WARRANTED TO BE SUITABLE FOR USE IN LIFE-SUPPORT APPLICATIONS, DEVICES OR SYSTEMS OR OTHER CRITICAL APPLICATIONS. Inclusion of CrystalFontz America, Inc. products in such applications is understood to be fully at the risk of the customer. In order to minimize risks associated with customer applications, adequate design and operating safeguards should be provided by the customer to minimize inherent or procedural hazard. Please contact us if you have any questions concerning potential risk applications.

CrystalFontz America, Inc. assumes no liability for applications assistance, customer product design, software performance, or infringements of patents or services described herein. Nor does CrystalFontz America, Inc. warrant or represent that any license, either express or implied, is granted under any patent right, copyright, or other intellectual property right of CrystalFontz America, Inc. covering or relating to any combination, machine, or process in which our products or services might be or are used.

All specifications in datasheets on our website are, to the best of our knowledge, accurate but not guaranteed. Corrections to specifications are made as any inaccuracies are discovered.

Company and product names mentioned in this publication are trademarks or registered trademarks of their respective owners.

Copyright © 2017 by CrystalFontz America, Inc., 12412 East Saltese Avenue, Spokane Valley, WA 99216 U.S.A.

2. Module Description

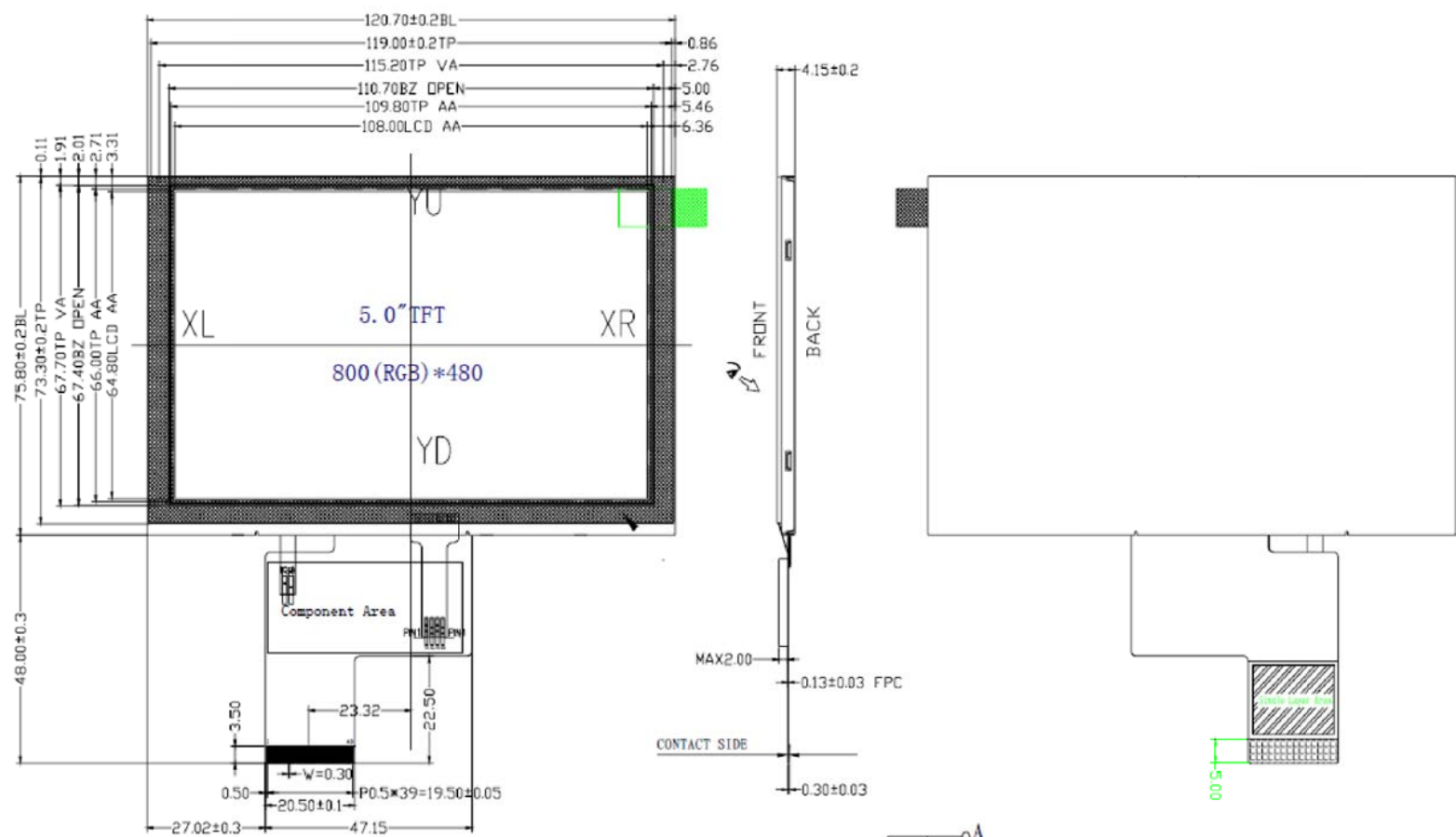
This is a 5-inch full color TFT graphic display module with a white LED backlight. This display requires only a single source 3.3v for both power supply and logic. This display has a built-in ILI5960/ILI6122 controller.

3. Features

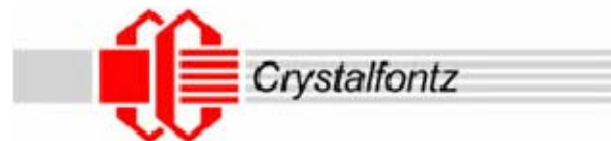
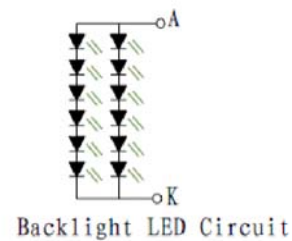
- 800*480 Dot Matrix
- Built-in Controller: ILI5960/ILI6122
- +3.3V Power Supply
- Viewing Direction: 12 o'clock
- Operating Temperature: -20°C to +70°C
- Interface: 16-Bit, 18-Bit, and 24-Bit RGB

4. Mechanical Data

Item	Specification (mm)	Specification (inch, reference)
Overall Module Dimension	120.70 (W) x 75.80 (H) x 4.15 (D)	4.258 (W) x 2.674 (H) x 0.146 (D)
Active Area	108.0 (W) x 64.80 (H)	3.809 (W) x 2.286 (H)
Pixel Pitch	0.108 (W) x 0.108 (H)	0.004 (W) x 0.004 (H)
Weight (Typical)	92 grams	3.25 ounces



Tolerance is ±0.3mm unless specified.

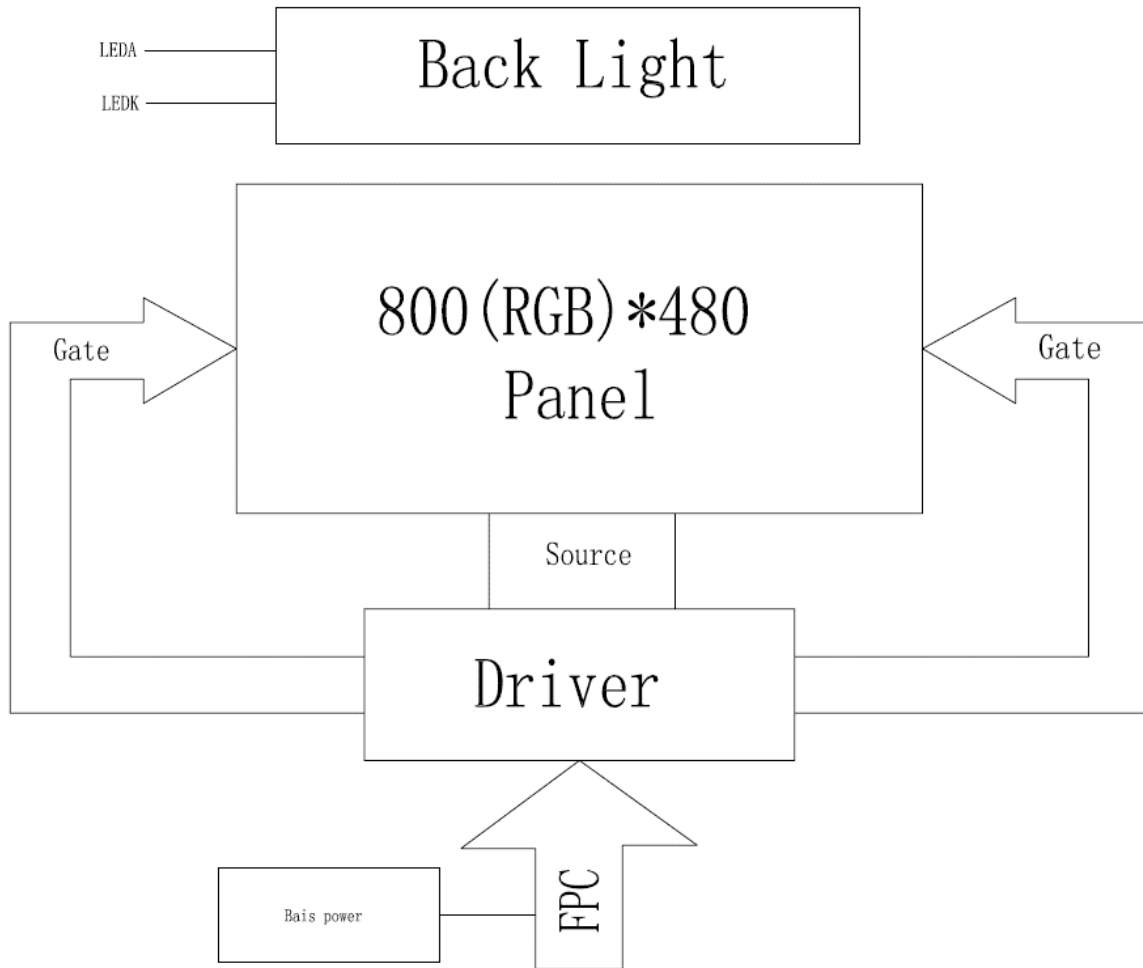


PART NUMBER(S)	SCALE	COPYRIGHT © 2017 BY CRYSTALFONTZ AMERICA, INC.
CFAF800480A-050T-TS	Not to Scale	WWW.CRYSTALFONTZ.COM
DRAWING NUMBER	UNITS	DATE
v. TS	Millimeters	2017-10-10

6. Interface Pin Function

Pin	Symbol	Direction	Function
1	V _{LED-}	P	Cathode Pin of Backlight
2	V _{LED+}	P	Anode Pin of Backlight
3	GND	P	Ground
4	V _{DD}	P	Power Supply Voltage (3.3v)
5-12	R0-R8	I/O	Red Data Input
13-20	G0-G7	I/O	Green Data Input
21-28	B0-B5	I/O	Blue Data Input
29	GND	P	Ground
30	P _{CLK}	I	Dot clock signal for RGB interface operation. Fix this pin at V _{CI} or GND when not in use.
31	D _{ISP}	I	Standby setting for testing. This pin should be connected to V _{DDIO} in normal operation mode. When connected to GND, the IC is in the standby mode.
32	H _{SYNC}	I	Line synchronizing signal for RGB interface operation. Fix this pin at V _{CI} or GND when not in use.
33	V _{SYNC}	I	Frame synchronizing signal for RGB interface operation. Fix this pin at V _{CI} or GND when not in use.
34	D _E	I	Data enabled signal for RGB interface operation. Fix this pin at V _{CI} or GND when not in use.
35	NC	-	No Connection
36	GND	P	Ground
37	YU	A/D	Touch Panel Top Right Glass Terminal
38	XL	A/D	Touch Panel Lift Film Terminal
39	YD	A/D	Touch Panel Bottom Terminal
40	XR	A/D	Touch Panel Right Film Terminal

7. System Block Diagram



8. Absolute Maximum Ratings

Parameter	Symbol	Min	Max	Unit	Notes
Digital Supply Voltage	V _{DD}	-0.5	5.0	V	(1)(2)
Digital Interface Supply Voltage	V _{DDIO}	-0.5	V _{DD} +0.3	V	(1)(2)
Operating Temperature	T _{OP}	-20	+70	°C	-
Storage Temperature	T _{ST}	-30	+80	°C	-

Notes:

- (1) *These are stress ratings only. Extended exposure to the absolute maximum ratings listed above may affect device reliability or cause permanent damage.*
- (2) *Functional operation should be restricted to the limits in the Electrical Characteristics table below.*

9. Electrical Characteristics

Item	Symbol	Min	Typ	Max	Unit
Digital Supply Voltage	V _{DD}	3.0	3.3	4.2	V
Digital Interface Supply Voltage	V _{DDIO}	3.0	3.3	4.2	V
Current Consumption for Normal Operation	I _{DD}	-	200	-	mA
High-level Input	V _{IH}	0.7 V _{DDIO}	-	V _{DDIO}	V
Low-level Input	V _{IL}	GND	-	0.3 V _{DDIO}	V
High-level Output @0.1mA	V _{OH}	0.8 V _{DDIO}	-	V _{DDIO}	V
Low-level Output @0.1mA	V _{OL}	GND	-	0.2 V _{DDIO}	V

10. Optical Characteristics

Item	Symbol	Condition	Min	Typical	Max	Unit
Color Gamut	S(%)	-	-	60	-	%
Contrast Ratio	CR	-	600	800	-	-
TFT Response Time	T rise	-	-	5	10	ms
	T fall		-	15	25	ms
Red Chromaticity	R _x	-	0.588	0.608	0.628	ms
	R _y		0.296	0.316	0.336	ms
Green Chromaticity	G _x	-	0.285	0.305	0.325	ms
	G _y		0.536	0.566	0.576	ms
Blue Chromaticity	B _x	-	0.115	0.135	0.155	ms
	B _y		0.117	0.137	0.157	ms
White Chromaticity	W _x	-	0.285	0.305	0.325	ms
	W _y		0.314	0.334	0.354	ms
Viewing Angle, Horizontal	θ _{x+}	Center CR≥10	-	60	-	°
	θ _{x-}			60		
Viewing Angle, Vertical	θ _{y+}		-	50	-	°
	θ _{y-}			70		
Viewing Direction	12 o'clock					

11. Backlight Characteristics

Parameter	Symbol	Min	Typ	Max	Unit
Forward Current	I _F	30	40	-	mA
Forward Voltage	V _F	-	19.2	-	V
Luminous Intensity I _F – 40mA	L _v	320	-	-	cd/m ²
Uniformity	AV _G	80	-	-	%
LED Lifetime	Hr	-	50K	-	Hrs.

Notes:

- (1) Forward current minimum value is only for reference since the LED brightness efficiency keeps enhancing. Current consumption becomes less and less to achieve the same luminance.
- (2) Lifetime is defined as the amount of time when the luminance has decayed to <50% of the initial value (50K hours is an estimate for reference only).

12. LCD Module Precautions

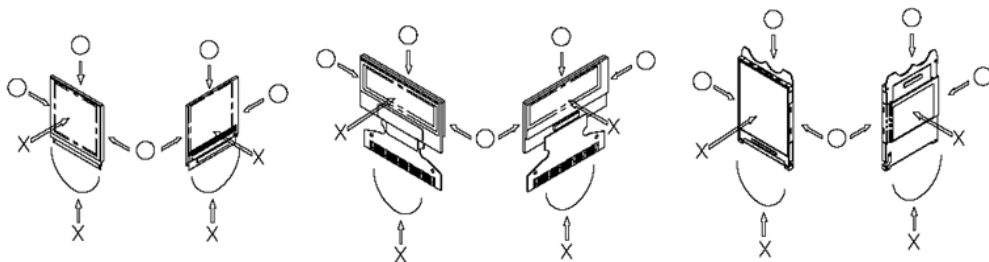
The precautions below should be followed when using LCD modules to help ensure personal safety, module performance, and compliance of environmental regulations.

12.1. Modules

- Avoid applying excessive shocks to module or making any alterations or modifications to it.
- Do not make extra holes on the printed circuit board, modify its shape or change the components of LCD display module.
- Do not disassemble the LCD display module.
- Do not operate the LCD display module above the absolute maximum rating.
- Do not drop, bend or twist the LCD display module.
- Soldering: only to the I/O terminals.
- Store in an anti-static electricity container and clean environment.
- It is common to use the "screen saver" to extend the lifetime of the LCD display module.
 - Do not use the fixed information for long periods of time in real application.
 - Do not use fixed information in LCD panel for long periods of time to extend "screen burn" effect time.
- Crystalfontz has the right to change the passive components, including R3, R6 & backlight adjust resistors. (Resistors, capacitors and other passive components will have different appearance and color caused by the different supplier.)
- Crystalfontz have the right to change the PCB Rev. (In order to satisfy the supplying stability, management optimization and the best product performance, etc., under the premise of not affecting the electrical characteristics and external dimensions, Crystalfontz has the right to modify the version.)

12.2. Handling Precautions

- Since the display panel is made of glass, do not apply mechanical impacts such as dropping from a high position.
- If the display panel is accidentally broken, and the internal organic substance leaks out, be careful not to inhale or touch the organic substance.
- If pressure is applied to the display surface or its neighborhood of the LCD display module, the cell structure may be damaged, so be careful not to apply pressure to these sections.
- The polarizer covering the surface of the LCD display module is soft and can be easily scratched. Please be careful when handling the LCD display module.
- Clean the surface of the polarizer covering the LCD display module if it becomes soiled using following adhesion tape.
 - Scotch Mending Tape No. 810 or an equivalent
 - Never breathe the soiled surface or wipe the surface using a cloth containing solvent such as ethyl alcohol, since the surface of the polarizer will become cloudy.
 - The following liquids/solvents may spoil the polarizer:
 - Water
 - Ketone
 - Aromatic Solvents
- Hold the LCD display module very carefully when placing the LCD display module into the system housing.
- Do not apply excessive stress or pressure to the LCD display module. And, do not over bend the film with electrode pattern layouts. These stresses will influence the display performance. Also, be sure to secure the sufficient rigidity for the outer cases.





- Do not apply stress to the LSI chips and the surrounding molded sections.
- Do not disassemble or modify the LCD display module.
- Do not apply input signals while the logic power is off.
- Pay sufficient attention to the working environments when handing the LCD display module to prevent occurrence of element breakage accidents by static electricity.
 - Be sure to make human body grounding when handling LCD display modules.
 - Be sure to ground tools to use for assembly such as soldering irons.
 - To suppress generation of static electricity, avoid carrying out assembly work under dry environments.
 - Protective film is being applied to the surface of the display panel of the LCD display module. Be careful since static electricity may be generated when exfoliating the protective film.
- Protection film is being applied to the surface of the display panel and removes the protection film before assembling it. At this time, if the LCD display module has been stored for a long period of time, residue adhesive material of the protection film may remain on the surface of the display panel after the film has been removed. In such a case, remove the residue material by the method discussed above.
- If electric current is applied when the LCD display module is being dewed or when it is placed under high humidity environments, the electrodes may become corroded. If this happens proceed with caution when handling the LCD display module.

12.3. Storage Precautions

- When storing the LCD display modules put them in static electricity preventive bags to avoid exposure to direct sunlight and fluorescent lamps. Also avoid high temperature and high humidity environments and low temperatures (less than 0°C) environments. (We recommend you store these modules in the packaged state when they were shipped from Crystalfontz). Be careful not to let water drops adhere to the packages or bags, and do not let dew gather on them.
- If electric current is applied when water drops are adhering to the surface of the LCD display module the LCD display module may have become dewed. If a dewed LCD display module is placed under high humidity environments it may cause the electrodes to become corroded. If this happens proceed with caution when handling the LCD display module.

12.4. Designing Precautions

- The absolute maximum ratings are the ratings that cannot be exceeded for LCD display module. If these values are exceeded, panel damage may happen.
- To prevent occurrence of malfunctioning by noise pay attention to satisfy the V_{IL} and V_{IH} specifications and, at the same time, to make the signal line cable as short as possible.
- We recommend that you install excess current preventive unit (fuses, etc.) to the power circuit (V_{DD}). (Recommend value: 0.5A)
- Pay sufficient attention to avoid occurrence of mutual noise interference with the neighboring devices.
- As for EMI, take necessary measures on the equipment side.
- When fastening the LCD display module, fasten the external plastic housing section.
- If the power supply to the LCD display module is forcibly shut down, by such errors as taking out the main battery while the LCD display panel is in operation, we cannot guarantee the quality of this LCD display module.
 - Connection (contact) to any other potential than the above may lead to rupture of the IC.

12.5. Disposing Precautions

- Request the qualified companies to handle the industrial wastes when disposing of the LCD display modules. Or, when burning them, be sure to observe the environmental and hygienic laws and regulations.

12.6. Other Precautions

- When an LCD display module is operated for a long period of time with a fixed pattern, the fixed pattern may remain as an after image or a slight contrast deviation may occur.



- If the operation is interrupted and left unused for a while, normal state can be restored.
 - This will not cause a problem in the reliability of the module.
- To protect the LCD display module from performance drops by static electricity rapture, etc., do not touch the following sections whenever possible while handling the LCD display modules.
 - Pins and electrodes
 - Pattern layouts such as the TCP & FPC
- With this LCD display module, the LCD driver is being exposed. Generally speaking, semiconductor elements change their characteristics when light is radiated according to the principle of the solar battery. Consequently, if this LCD driver is exposed to light, malfunctioning may occur.
 - Design the product and installation method so that the LCD driver may be shielded from light in actual usage.
 - Design the product and installation method so that the LCD driver may be shielded from light during the inspection processes.
- Although this LCD display module stores the operation state data by the commands and the indication data, when excessive external noise, etc. enters into the module, the internal status may be changed. Therefore, it is necessary to take appropriate measures to suppress noise generation or to protect from influences of noise on the system design.
- We recommend that you construct its software to make periodical refreshment of the operation statuses (re-setting of the commands and re-transference of the display data), to cope with catastrophic noise.
- Resistors, capacitors, and other passive components will have different appearance and color caused by the different supplier.
- Crystalfontz has the right to upgrade and modify the product function.
- The limitation of FPC bending:

