



## TFT DISPLAY MODULE DATA SHEET



*CFAF320240F-035T-TS shown above*

Datasheet Release Date 2016-09-16  
for

[CFAF320240F-035T](#) without Touch Screen  
[CFAF320240F-035T-TS](#) with Touch Screen

### Crystalfontz America, Incorporated

12412 East Saltese Avenue  
Spokane Valley, WA 99216-0357

Phone: 888-206-9720

Fax: 509-892-1203

Email: [support@crystalfontz.com](mailto:support@crystalfontz.com)

URL: [www.crystalfontz.com](http://www.crystalfontz.com)



### Datasheet Revision History

Datasheet Release Date: 2016-09-16

- Modified information in [LED Backlight \(Pg. 27\)](#) section.
- Removed sections of information no longer needed. The display has not changed.

Data Sheet Release Date: 2014-12-24

- Combined the CFAF320240F-035T and CFAF320240F-035T-TS Data Sheets into one and updated formatting to match current standards.
- Wherever listed, changed viewing angle (polarizer viewing direction) from "12 o'clock" to "6 o'clock".
- Wherever listed, changed Color Depth from "16.7M" to "262K".
- Added a notice About Volatility.
- In Physical Characteristics, changed weight from 22 grams to 24 grams for CFAF320240F-035T and 38 grams for CFAF320240F-035T-TS. This difference is due to using a more accurate, calibrated scale. The physical weight of the modules has not changed.
- In Module Outline Drawings, removed version number. This product is not under CrystalFontz version control. Also removed tolerance specification and added note "Illustration deemed accurate but not guaranteed". Touch Screen dimensions for CFAF320240F-035T-TS changed. A detailed illustration of the touch screen is added.
- Wherever listed, increased accuracy of dimension specifications from one point after the decimal to two points.
- In Absolute Maximum Ratings, added a new caution note in the specifications table.
- In Recommended DC Characteristics (3.0v Operation), added specification for Power Supply Current for TFT.
- Added LCD Duty And Bias specifications.
- Updated SOURCES FOR DRIVER LIBRARIES AND SAMPLE CODE.
- In Module Reliability and Longevity, added Reliability Test Results.
- In Module Reliability, corrected from 50,000 hours >50% of Initial Brightness (New Module) to 10,000 hours.
- In Care and Handling, added If TFT Panel Breaks and How to Clean.

Data Sheet Release Date: 2012/07/18

- Wherever described, clarified module dimensions. Module has not changed.
- Updated Data Sheet formatting to match current standards.

Data Sheet Release Date: 2012/04/11

- Updated Interface Pin Usage Table.
- Added reference to TFT module available mounted on a carrier board (part number CFAF320240F-035T-CB and CFAF320240F-035T-TS-CB).
- Added Solomon Systech SSDD2119 controller RGB information as APPENDIX D: SOLOMON SYSTECH SSD2119 RGB INTERFACE.

Publish Data Sheet Release Date instead of Data Sheet version number.

Data Sheet Release Date: 2011/08/15

Data Sheet version: v1.0

No changes except the module part number. Previous part number was CFAF320240F-T and CFAF320240F-T-TS.



### Datasheet Revision History (Continued)

Data Sheet Release Date: 2010/08/24

For CFAF320240F-T and CFAF320240F-T-TS (previous part number)

Data Sheet version: v1.2

In Additional Information on Interface Types section, corrected text in third bullet from

“what should be done with pins DB17-DB8 (pins 19-28)?”

to

“what should be done with pins DB9-DB0 (pins 27-36)?”

Data Sheet Release Date: 2010/07/09

For CFAF320240F-T and CFAF320240F-T-TS (previous part number)

Current Data Sheet version: v1.1

Improved information in LED Backlight Characteristics specifications.

CFAF320240F-T: Specifications for luminous intensity were direct measurement of backlight (*not* through the TFT).

Specifications are now *through* the TFT. Luminous intensity has not changed.

For CFAF320240F-T-TS: Specifications for luminous intensity were direct measurement of backlight (*not* through the TFT and touch screen). Specifications are now *through* the TFT and touchscreen. Luminous intensity has not changed.

Data Sheet Release Date: 2010/07/09

For CFAF320240F-T and CFAF320240F-T-TS (previous part number)

Since last Data Sheet (Preliminary, no version number):

- Moved information from preliminary Data Sheet into this v1.0 Data Sheet. This Data Sheet uses the standard Graphic TFT template.
- If and how the module's FFC (Flat Flex Cable) and CFAF320240F-T-TS touch screen's FFC are folded or unfolded affects the overall module dimensions. Wherever listed in this Data Sheet v1.0, module width and height dimensions have been changed to define (1) module excluding FFCs and (2) module including FFCs unfolded. Actual width and height dimensions have not changed.
  - For CFAF320240F-T: Expanded “Module Dimension” depth description. Nominal depth is still “3.10” millimeters. Maximum depth of “3.30” millimeters was added. Actual module dimensions have not changed.
  - For CFAF320240F-T-TS: Added “Module Dimension” Nominal depth of “4.10” millimeters. Maximum depth of “3.10” millimeters was changed to “4.45” millimeters. This increase is because the thickness of the touch screen is now added to the total thickness for the module. Actual module dimensions have not changed.
  - For CFAF320240F-T: “Active Area/Viewing Area” width changed from “70.08” millimeters to “70.07” millimeters. “Active Area/Viewing Area” height changed from “52.56” millimeters to “52.55” millimeters.
  - For CFAF320240F-T-TS: “Active Area/Viewing Area” *width* changed from “69.92” millimeters to “70.07” millimeters. “Active Area/Viewing Area” *height* changed from “52.55” millimeters to Active Area remaining at “52.55” millimeters but Viewing Area to “55.65” millimeters.
- In Physical Characteristics, added specifications for Module Connector Pitch, FFC Bend Radius, Weight, Touch Screen Connector Pitch (for CFAF320240F-T-TS), and resources for ZIF connectors.
- Improved Module Outline Drawings and System Block Diagram.
- In the preliminary Data Sheet, temperatures under section “1 General Specifications” were listed correctly. In Absolute Maximum Ratings section of preliminary Data Sheet, previous specifications were for controller SSD2119 only and did not include the module. In this Data Sheet v1.0,
  - Operating Temperature changed *minimum* from “-40°C” to “-20°C” and *maximum* from “+85°C” to “+70°C”.
  - Storage Temperature changed *minimum* from “-65°C” to “-30°C” and *maximum* from “+150°C” to “+80°C”.Actual module temperature ranges have not changed.
- The previous DC Characteristics specifications were for the controller SSD2119. The DC Characteristics section in this Data Sheet are for the module.
- In Details of Interface Pin Function, used Crystalfontz standard terms for signals and improved descriptions.



### Datasheet Revision History (Continued)

Data Sheet Release Date: 2010/07/09

For CFAF320240F-T and CFAF320240F-T-TS (previous part number)

- New sections include:
  - MAIN FEATURES.
  - To improve explanation of how pins are used for the various interfaces, added Photo Reference for Pin Functions, Interface Pin Usage Table, and Additional Information on Interface Types.
  - For CFAF320240F-T-TS, About the Touch Screen section includes resources for learning more about touch screens.
  - ESD (Electro-Static Discharge). Please read this caution.
  - Some OPTICAL SPECIFICATIONS are now available.
  - LED Backlight Characteristics includes information on how to step up a +3.3v power supply for the backlight and describes typical connections as well as a complete list of specifications.
  - SOURCES FOR DRIVER LIBRARIES AND SAMPLE CODE.
  - MODULE RELIABILITY AND LONGEVITY.
  - CARE AND HANDLING PRECAUTIONS.
  - APPENDIX A: QUALITY ASSURANCE STANDARDS.
  - APPENDIX B: TFT MODULE TERMS AND SYMBOLS.
  - APPENDIX C: SOLOMON SYSTECH SSD2119 TFT DRIVER. Controller specifications are added for your convenience.
- Deleted information from the preliminary Data Sheet that was copied from the controller specifications. The controller specifications are appended to this v1.0 Data Sheet.

Data Sheet Release Date: 2010/01/19

For CFAF320240F-T and CFAF320240F-T-TS (previous part number)

Data Sheet version: Preliminary, no version number

New Data Sheet.

### Hardware Updates

To check for update notices for this display module, look up the part number [here](#) on our website.

### About Variations

We work continuously to improve our products. Because display technologies are quickly evolving, these products may have component or process changes. Slight variations (for example, contrast, color, or intensity) between lots are normal. If you need the highest consistency, whenever possible, order and arrange delivery for your production runs at one time so your displays will be from the same lot.

### About Volatility

This display module has volatile memory.



### The Fine Print

Certain applications using CrystalFontz America, Inc. products may involve potential risks of death, personal injury, or severe property or environmental damage ("Critical Applications"). CRYSTALFONTZ AMERICA, INC. PRODUCTS ARE NOT DESIGNED, INTENDED, AUTHORIZED, OR WARRANTED TO BE SUITABLE FOR USE IN LIFE-SUPPORT APPLICATIONS, DEVICES OR SYSTEMS OR OTHER CRITICAL APPLICATIONS. Inclusion of CrystalFontz America, Inc. products in such applications is understood to be fully at the risk of the customer. In order to minimize risks associated with customer applications, adequate design and operating safeguards should be provided by the customer to minimize inherent or procedural hazard. Please contact us if you have any questions concerning potential risk applications.

CrystalFontz America, Inc. assumes no liability for applications assistance, customer product design, software performance, or infringements of patents or services described herein. Nor does CrystalFontz America, Inc. warrant or represent that any license, either express or implied, is granted under any patent right, copyright, or other intellectual property right of CrystalFontz America, Inc. covering or relating to any combination, machine, or process in which our products or services might be or are used.

All specifications in Datasheets and on our website are, to the best of our knowledge, accurate but not guaranteed. Corrections to specifications are made as any inaccuracies are discovered.

Company and product names mentioned in this publication are trademarks or registered trademarks of their respective owners.

Copyright © 2016 by CrystalFontz America, Inc., 12412 East Saltese Avenue, Spokane Valley, WA 99216-0357 U.S.A



# CONTENTS

<b>MAIN FEATURES</b>	<b>8</b>
Features	8
Module Classification Information	9
<b>MECHANICAL SPECIFICATIONS</b>	<b>10</b>
Physical Characteristics:	10
Module Outline Drawings	12
<b>ELECTRICAL SPECIFICATIONS</b>	<b>17</b>
System Block Diagram	17
LCD Duty And Bias	18
Absolute Maximum Ratings	18
Recommended DC Characteristics (3.0v Operation)	19
Details of Interface Pin Function	20
Photo Reference for Pin Functions	22
Interface Pin Usage Table	23
Additional Information on Interface Types	23
About the CFAF320240F-035T-TS Touch Screen	24
ESD (Electro-Static Discharge)	24
<b>OPTICAL SPECIFICATIONS</b>	<b>25</b>
Optical Characteristics	25
Definition of Response Time (Tr, Tf)	26
Definition of 6 O'Clock and 12:00 O'Clock Viewing Angles	27
LED Backlight	27
"Always On" Backlight Connections	28
PWM Dimming	28
Backlight Characteristics	29
How to Use Current Feedback LED Driver	29
<b>SOURCES FOR DRIVER LIBRARIES AND SAMPLE CODE</b>	<b>30</b>
Sources For Driver Libraries	30
Source For Sample Code	30
<b>MODULE RELIABILITY AND LONGEVITY</b>	<b>31</b>
Reliability Test Results	31
Module Reliability	31
Module Longevity (EOL/Replacement Policy)	31



## LIST OF FIGURES

Figure 1. Module Outline Drawings (4 pages) -----	12
Figure 2. System Block Diagram -----	17
Figure 3. Back View of FFC (Pins Labeled) -----	22
Figure 4. Definition of Response Time ( $T_r$ , $T_f$ )-----	26
Figure 5. Definition of Horizontal and Vertical Viewing Angles ( $CR > 2$ )-----	26
Figure 6. Definition of 6:00 O’Clock and 12:00 O’Clock Viewing Angles -----	27
Figure 7. Typical LED Backlight Connections For “Always On”-----	28
Figure 8. Example of LED Backlight Connections For PWM Dimming-----	28
Figure 9. Circuit Example Using Feedback LED Driver -----	30



## MAIN FEATURES

---

### FEATURES

The *CFAF320240F-035T-TS* is identical to the *CFAF320240F-035T* except that it has a four-wire analog touch screen.

- Full-color (262K) 320 x RGB x 240 TFT consists of a TFT panel, a driver IC, an FFC (Flat Flexible Cable), a touch screen (CFAF320240F-035T-TS only), and an LED backlight.
- Active Area is 3.5" diagonal, 70.08 (W) x 52.56 (H) mm (2.76" (W) x 2.07" (H)). For more dimension details, see [Module Outline Drawings \(Pg. 12\)](#).
- Interface modes to host:
  - 8-bit, 9-bit, 16-bit, and 18-bit parallel (8080 or 6800).
  - 16-bit or 18-bit "DOTCLK" RGB.
  - 3- or 4-wire SPI.
- Integrated Solomon Systech SSD2119 or compatible driver. See [Display Controller Datasheets](#) on our website.
- Transmissive display with LED backlight. White edge-lit with two parallel rows of LEDs, three LEDs in each row, six LEDs total. Display light pixels on a dark colored area (any color combination) or invert for dark colored pixels (any color combination) on a light area.
- Requires only a single source 3.3v for both power supply and logic.
- Built-in for DC-DC converter for panel voltage.
- The display module's 50-pin FFC mates with standard 0.5 mm ZIF connectors such as [HFJ150CT-ND](#) and [HFK150CT-ND](#) available from Digi-Key.
- 6:00 o'clock viewing angle (polarizer viewing direction). Use in portrait or landscape orientation.
- Temperature operation is from -20°C to +70°C.
- The display modules are available mounted on a carrier boards ([CFAF320240F-035T-TS-CB](#) and [CFAF320240F-035T-CB](#)).
- Free downloadable sample code is on our website under the [CFAF320240F-035T](#) or [CFAF320240F-035T-TS DATASHEETS & FILES](#) tabs.
- RoHS compliant. Factory is ISO certified.





## MODULE CLASSIFICATION INFORMATION

<u>CFA</u>	<u>F</u>	<u>320</u>	<u>240</u>	<u>F</u>	-	<u>035</u>	<u>T</u>	-	<u>*</u>
①	②	③	④	⑤		⑥	⑦		⑧

①	<b>Brand</b>	CrystalFontz America, Inc.
②	<b>Model Identifier</b>	F – TFT
③	<b>Number of Pixels (Width)</b>	320 pixels
④	<b>Number of Pixels (Height)</b>	240 pixels
⑤	<b>Model Identifier</b>	F
⑥	<b>Diagonal Dimension</b>	035 – 3.5-inch diagonal
⑦	<b>Backlight Type &amp; Color</b>	T – White LED Backlight
⑧	<b>Special Code *</b>	(blank) – No Touch Screen TS – Touch Screen (on CFAF320240F-035T-TS)



# MECHANICAL SPECIFICATIONS

## PHYSICAL CHARACTERISTICS:

ITEM	SPECIFICATION
<b>Pixels</b>	
Number of Pixels	320 x 480 = 153,600 pixels
Pixel Size	0.063 (W) x 0.209 (H)
RGB Pixel Pitch	0.219 (W) x 0.219 (H) mm
<b>TFT Active Area</b>	
Active Area Diagonal	Inches: 3.5" (3.44 inches)
Active Area Width	Millimeters: 70.08 (W) mm Inches: 2.76" (W)
Active Area Height	Millimeters: 52.56 (H) mm Inches: 2.07" (H)
<b>Viewing Area</b>	<i>CFAF320240F-035T:</i> Same as Active Area  <i>CFAF320240F-035T-TS</i> <i>Touch Screen Viewing Area:</i> Millimeters: 72.08 (W) x 54.56 (H) mm Inches: 2.84" (W) x 2.15" (H)
<b>Display Module Outline Dimensions</b>	
Overall Display Module Width Without Module's FFC	Millimeters: 77.60 (W) mm Inches: 3.06" (W) mm
Overall Display Module Height with Module's FFC unfolded and <i>CFAF320240F-035T-TS</i> Touch Screen Unfolded*	<i>CFAF320240F-035T:</i> Millimeters: 106.80 (H) mm Inches: 4.20" (H) mm  <i>CFAF320240F-035T-TS</i> Millimeters: 119.60 (H) mm Inches: 4.71" (H) mm
Overall Display Module Height with FFC folded and <i>CFAF320240F-035T-TS</i> Touch Screen Folded*	<i>CFAF320240F-035T:</i> Millimeters: 65.38 (H) mm Inches: 2.57" (H) mm  <i>CFAF320240F-035T-TS</i> Millimeters: 67.50 (H) mm Inches: 2.66" (H) mm
<i>*For reference only. Shape and length of FPC may vary.</i>	

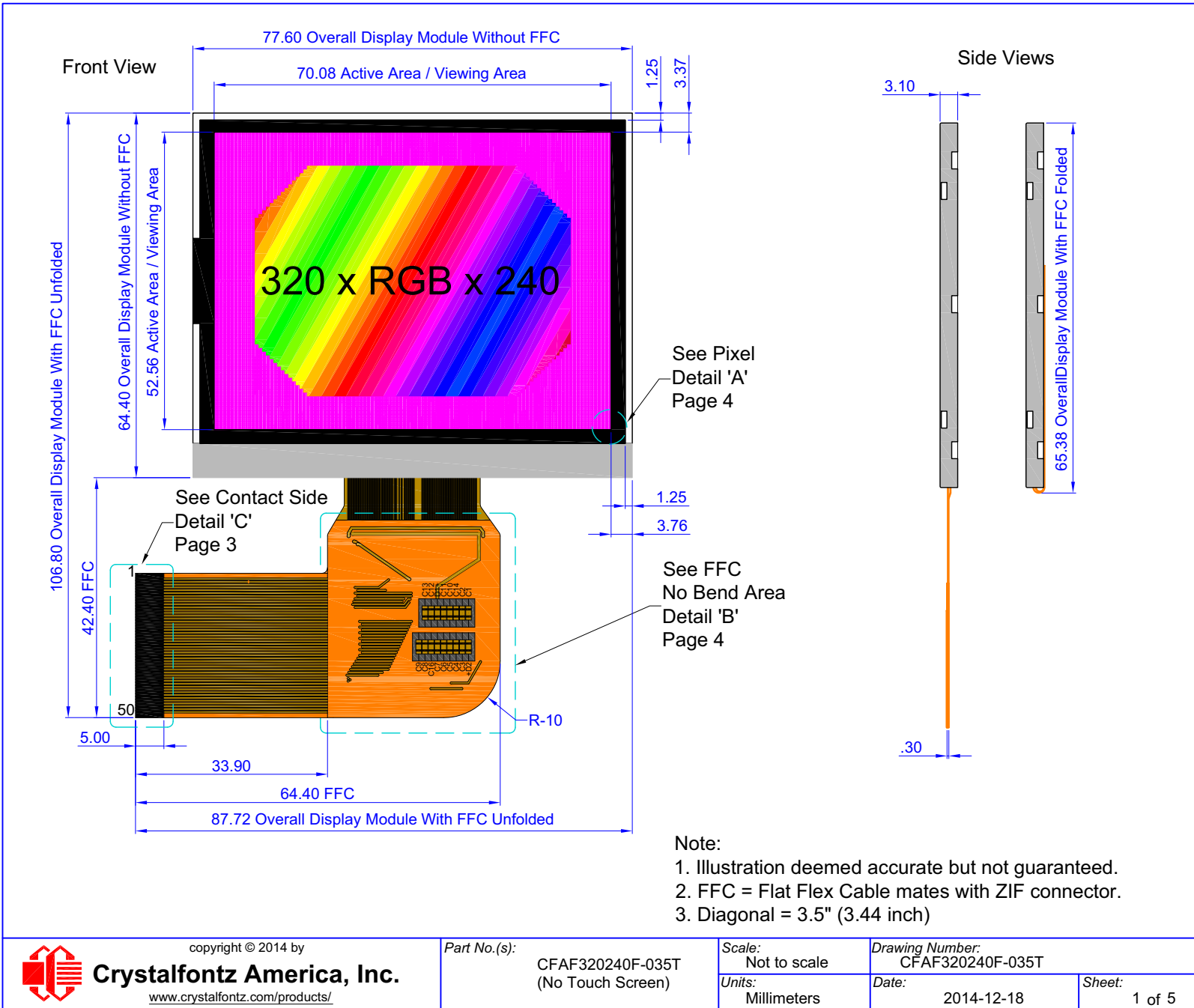


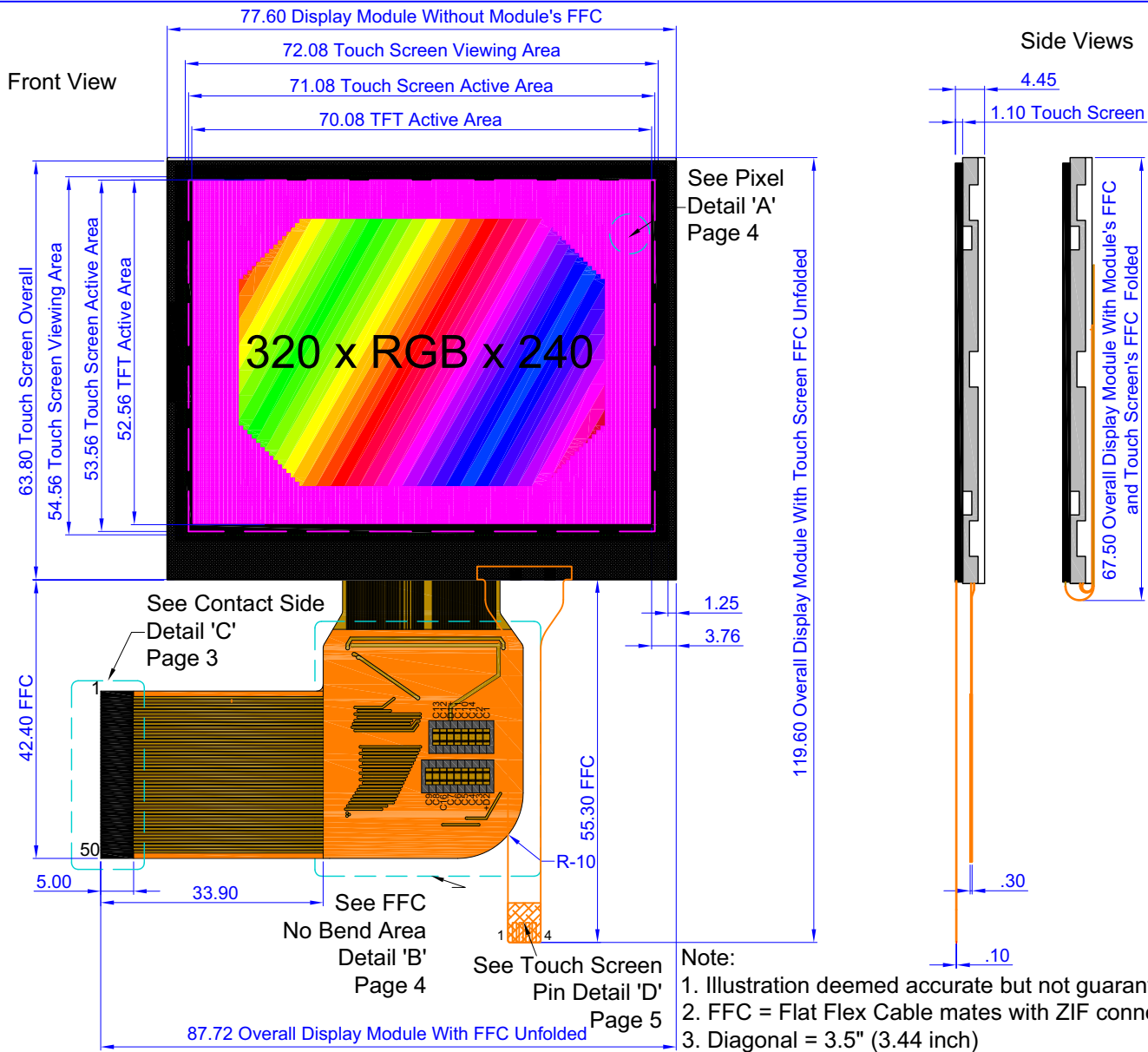
ITEM (Continued)	SPECIFICATION
Module Depth	<i>CFAF320240F-035T:</i> Millimeters: 3.10 (D) mm Inches: 0.12" (D)  <i>CFAF320240F-035T-TS:</i> Millimeters: 4.45 (D) mm Inches: 0.18" (D)
<b>Weight</b>	<i>CFAF320240F-035T</i> 24 grams  <i>CFAF320240F-035T-TS:</i> 38 grams
<b>FFCs</b>	
Module Connector Pitch	0.5 mm
CFAF320240F-035T-TS Touch Screen Connector Pitch	1.0 mm
FFC Bend Radius	>R.5.0 mm
<p><i>FFC Notes:</i> <i>The display module's 50-pin FFC mates with standard 0.5mm ZIF connectors such as <a href="#">HFJ150CT-ND</a> and <a href="#">HFK150CT-ND</a> available from Digi-Key.</i></p> <p><i>See "No Bend Area" detail on sheet 4 of <a href="#">Module Outline Drawings (Pg. 12)</a>.</i></p> <p><i>The CFAF320240F-035T-TS touch screen FFC mates with 1.00 mm pitch spaced ZIF sockets such as <a href="#">609-1883-1-ND</a> or <a href="#">609-1886-1-ND</a> from Digi-Key.</i></p>	



# MODULE OUTLINE DRAWINGS

Figure 1. Module Outline Drawings (4 pages)





copyright © 2014 by  
**Crystalfontz America, Inc.**  
www.crystalfontz.com/products/

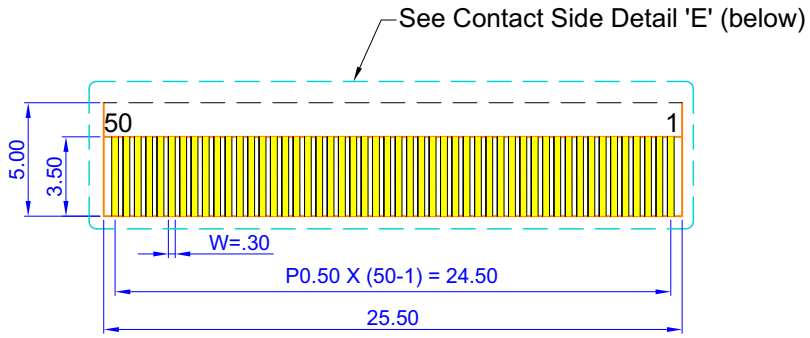
Part No.(s):  
CFAF320240F-035T-TS  
(With Touch Screen)

Scale:  
Not to scale  
Units:  
Millimeters

Drawing Number:  
CFAF320240F-035T

Date:  
2014-12-22

Sheet:  
2 of 5



Contact Side Detail 'C'

1	GND
2	NC
3	NC
4	GND
5	GND
6	GND
7	RD <sub>Serial</sub> (E <sub>Serial</sub> )
8	SD0
9	RST
10	CS
11	SCL
12	SDI
13	D/C
14	WR <sub>Serial</sub> (RW <sub>Serial</sub> )
15	PS3
16	PS2
17	PS1
18	PS0
19	DB17
20	DB16
21	DB15
22	DB14
23	DB13
24	DB12
25	DB11
26	DB10
27	DB9
28	DB8
29	DB7
30	DB6
31	DB5
32	DB4
33	DB3
34	DB2
35	DB1
36	DB0
37	DEN
38	HSYNC
39	VSYNC
40	DCLK
41	NC
42	GND
43	GND
*44	V <sub>Logic</sub>
*45	V <sub>Logic</sub>
46	NC
47	K <sub>1</sub> (LED <sub>2</sub> -)
48	A <sub>2</sub> (LED <sub>2</sub> +) )
49	A <sub>1</sub> (LED <sub>1</sub> +) )
50	K <sub>1</sub> (LED <sub>1</sub> -) )

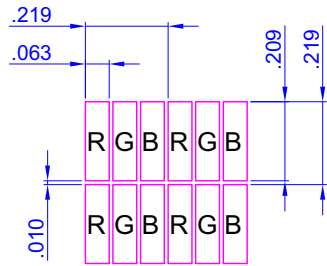
\* Both V<sub>Logic</sub> pins (44,45) need to be connected.

Contact Side Detail 'E'

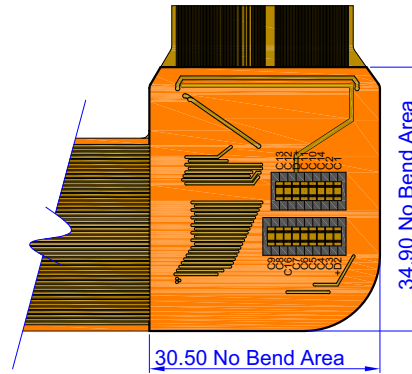
Note:

1. Illustration deemed accurate but not guaranteed.
2. FFC = Flat Flex Cable mates with ZIF connector.
3. Diagonal = 3.5" (3.44 inch)





Pixel Detail 'A'



FFC No Bend Area  
Detail 'B'

Note:

1. Illustration deemed accurate but not guaranteed.
2. FFC = Flat Flex Cable mates with ZIF connector.
3. Diagonal = 3.5" (3.44 inch)



**CrystalFontz America, Inc.**

[www.crystalfontz.com/products/](http://www.crystalfontz.com/products/)

copyright © 2014 by

Part No.(s):

CFAF320240F-035T  
and  
CFAF320240F-035T-TS

Scale:

Not to scale

Units:

Millimeters

Drawing Number:

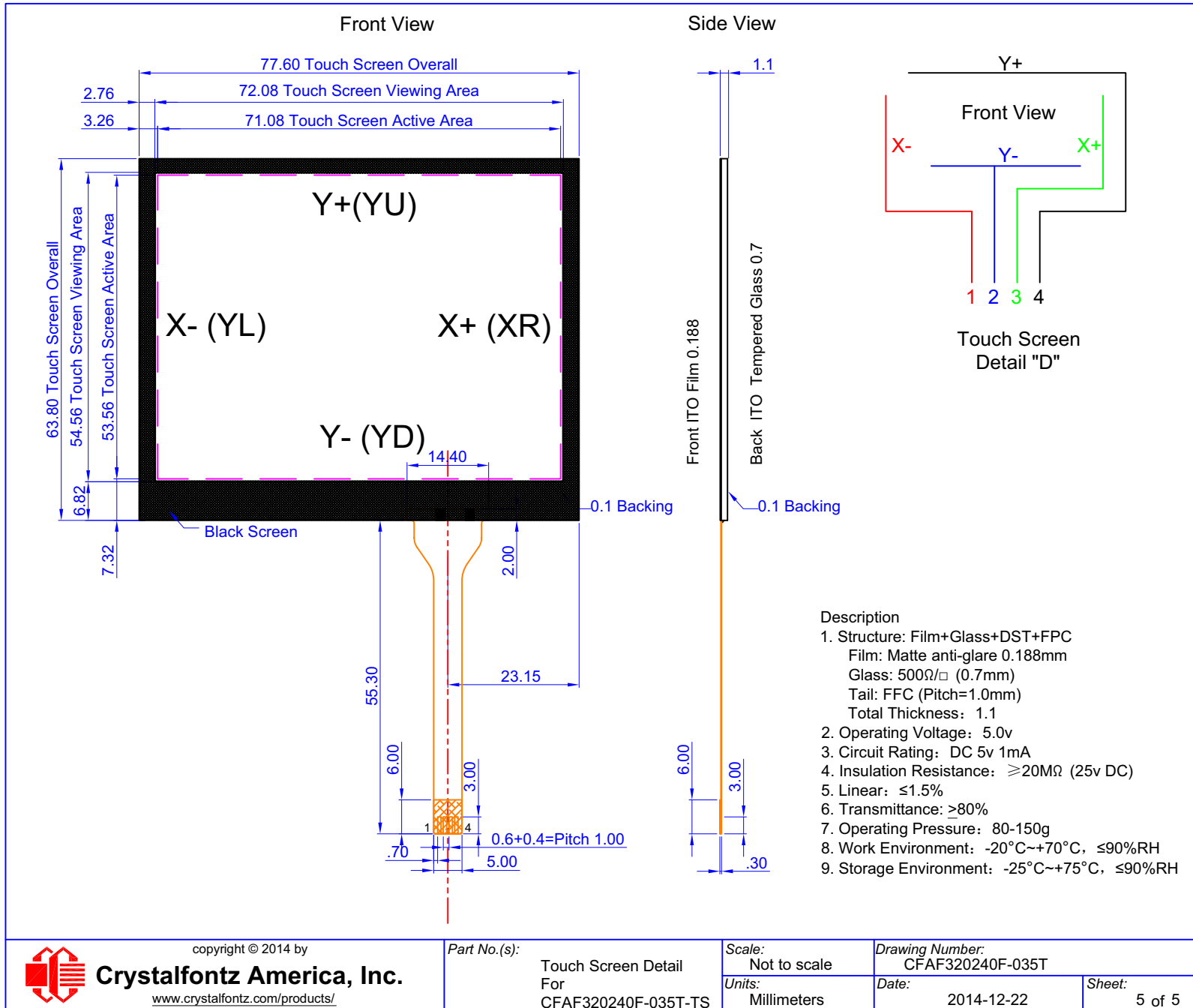
CFAF320240F-035T

Date:

2014-12-18

Sheet:

4 of 5



copyright © 2014 by  
**Crystalfontz America, Inc.**  
www.crystalfontz.com/products/

Part No.(s):  
Touch Screen Detail  
For  
CFAF320240F-035T-TS

Scale:  
Not to scale  
Units:  
Millimeters

Drawing Number:  
CFAF320240F-035T  
Date:  
2014-12-22

Sheet:  
5 of 5





# ELECTRICAL SPECIFICATIONS

## SYSTEM BLOCK DIAGRAM

Note: Selected interface will affect which pins are actually used.

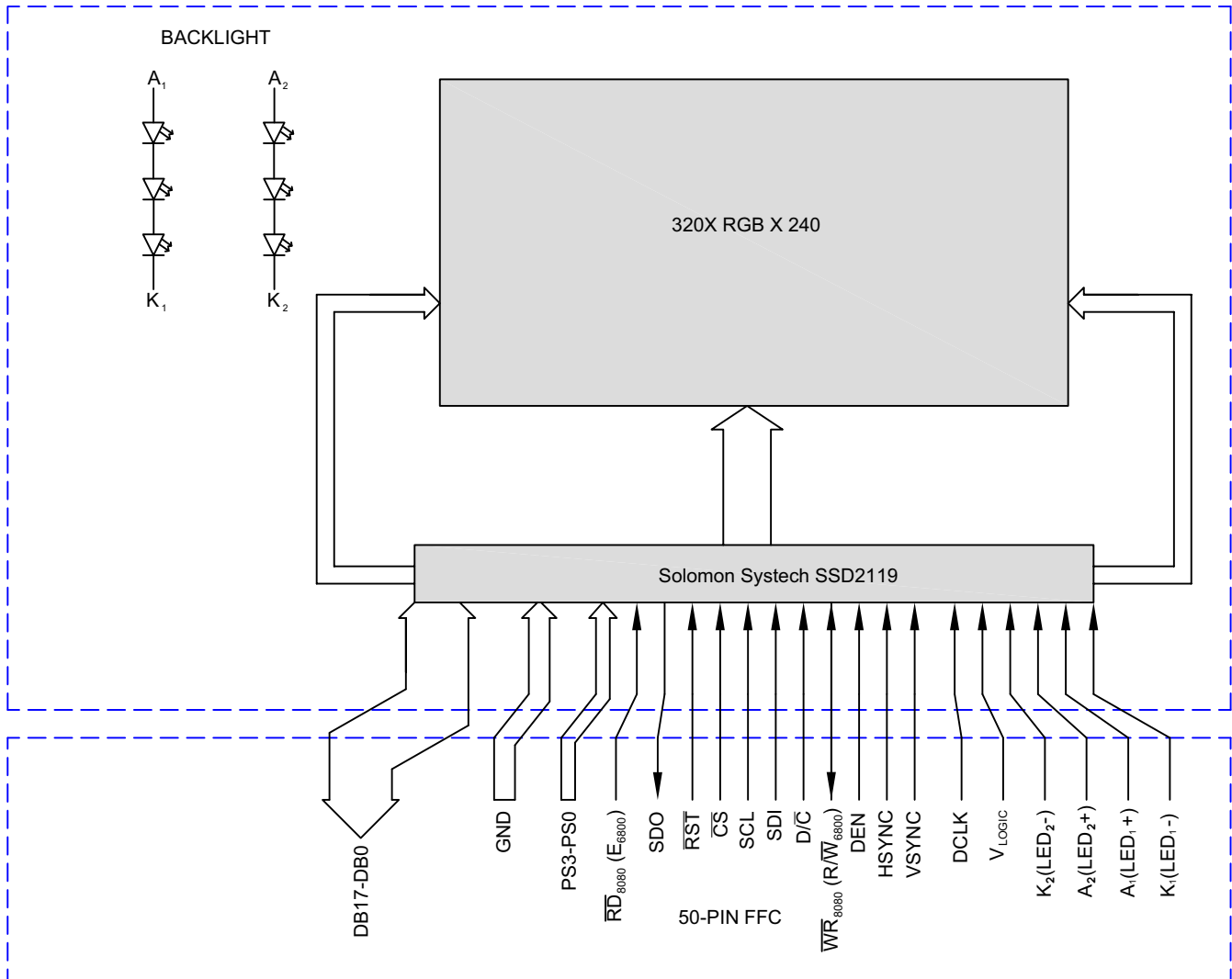


Figure 2. System Block Diagram



## LCD DUTY AND BIAS

DRIVING METHOD	SPECIFICATION
Duty <sup>1</sup>	240
Bias <sup>2</sup>	1/16

<sup>1</sup>The duty cycle, also known as duty ratio or multiplex rate, is the fraction of total frame time that each row of the LCD is addressed.

<sup>2</sup>The drive bias, also known as voltage margin, is related to the number of voltage levels used when driving the LCD. Bias is defined as  $1/(\text{number of voltage levels}-1)$ . The more segments driven by each driver(1), the higher number of voltage levels are required. There is a direct relationship between the bias and the duty.

## ABSOLUTE MAXIMUM RATINGS

ABSOLUTE MAXIMUM RATINGS	SYMBOL	MINIMUM	MAXIMUM
Supply Voltage	V <sub>LOGIC I/O</sub>	-0.3v	+4.0v
Logic Supply Voltage	V <sub>LOGIC</sub>	-0.3v	+4.0v
Operating Temperature	T <sub>OP</sub>	-20°C	+70°C
Storage Temperature*	T <sub>ST</sub>	-30°C	+80°C
Humidity	RH	0%	90%
<p><b>Caution</b>  <i>These are stress ratings only. Functional operation of the module at these or any other conditions beyond those listed under <a href="#">Recommended DC Characteristics (3.0v Operation)</a> (Pg. 19) is not implied.</i></p> <p><i>Extended exposure to the absolute maximum ratings listed above may affect device reliability. Stresses beyond those listed above can cause permanent damage.</i></p>			



## RECOMMENDED DC CHARACTERISTICS (3.0V OPERATION)

This is a summary of the module's major operating parameters. For detailed information see the Solomon Systech SSD2119 driver datasheet at [controller datasheets](#) on our website.

DC CHARACTERISTICS	TEST CONDITION	SYMBOL	MINIMUM	TYPICAL	MAXIMUM
Logic Supply Voltage*	T <sub>OP</sub> = -20°C to +70°C	V <sub>LOGIC</sub>	+2.5	+3.0v	+3.6v
Supply Voltage for I/O signals	T <sub>OP</sub> = -20°C to +70°C	V <sub>LOGIC I/O</sub>	+1.4v	+3.0v	+3.6v
Input High Voltage		V <sub>IH</sub>	+0.8v x V <sub>Logic</sub> For V <sub>Logic</sub> = +3.0v V <sub>OH</sub> = +0.8v x +3.0v = +2.4v		V <sub>Logic</sub>
Input Low Voltage		V <sub>IL</sub>	0v (GND)		+0.2v x V <sub>Logic</sub> For V <sub>Logic</sub> = +3.0v V <sub>IL</sub> = +0.2v x +3.0v = +0.6v
Output High Voltage	I <sub>OUT</sub> = 100µA 3.3MHz	V <sub>OH</sub>	+0.9v x V <sub>Logic</sub> For V <sub>Logic</sub> = +3.0v V <sub>OH</sub> = +0.9v x +3.0v = +2.7v		V <sub>Logic</sub>
Output Low Voltage	I <sub>OUT</sub> = 100µA 3.3MHz	V <sub>OL</sub>	0v (GND)		+0.1v x V <sub>Logic</sub> For V <sub>Logic</sub> = +3.0v V <sub>OL</sub> = +0.1v x +3.0v = +0.3v
Power Supply Current for TFT		I <sub>DD</sub>		43 mA	
Current for Normal Operation		I <sub>OP</sub>	0.05 mA		
Current for Standby Mode		I <sub>ST</sub>	0.03 mA		0.2 mA

\*If you use a +3.3v supply, you will need to step up the power supply for the LED backlight because it requires +9.9v. For information on how to do this, see [How to Use Current Feedback LED Driver \(Pg. 29\)](#).



## DETAILS OF INTERFACE PIN FUNCTION

Note: Pins depends on choice of 8-bit, 9-bit, 16-bit, and 18-bit parallel (8080 or 6800), RGB, or SPI interface. Click [here](#) to see Interface Pin Usage Table.

PIN	SIGNAL	LEVEL	DIRECTION	DESCRIPTION
1	GND	L		Power supply and signal ground. Must be connected to an external ground.
2-3	NC			No Connection
4-6	GND	L		Ground. Must be connected to an external ground.
7	$\overline{RD}_{8080}$ (E <sub>6800</sub> )	H/L	I	Host interface input. <i>8080 Host:</i> Active low. Signal on the databus is latched at the rising edge of $\overline{RD}$ . <i>6800 Host:</i> Enable control signal input active high. E = High: Read or Write operation is active E = Low: No operation
8	SDO	H/L	O	Data output pin in serial interface. (Serial Data Out/MISO)
9	$\overline{RST}$	H/L	I	Reset signal. <i>Low:</i> Display controller is reset. The $\overline{RST}$ pin should be pulsed low shortly after power is applied. <i>High:</i> The RST pin should be brought high for normal operation.
10	$\overline{CS}$	H/L	I	Chip select input. <i>Low:</i> Controller chip is selected. Communications with host is possible. <i>High:</i> Controller chip is not selected. Host interface signals are ignored by the controller.
11	SCL	H/L	I	Serial clock input.
12	SDI	H/L	I	Data input pin in serial interface. (Serial Data In/MOSI)
13	$D/\overline{C}$	H/L	I	Data/Command control. Determines whether data bits are data or command. 1 – High: Addresses the data register. 0 – Low: Addresses the command register.
14	$\overline{WR}_{8080}$ (R/ $\overline{W}$ <sub>6800</sub> )	H/L	IO	Host interface input. <i>8080 Host:</i> Active low. Signal on the databus is latched at the rising edge of $\overline{WR}$ signal. <i>6800 Host:</i> Read/Write control signal output. R $\overline{W}$ = High: Read (Host←Module) R $\overline{W}$ = Low: Write (Host→Module)
15-18	PS3-PS0	H/L		Notice the descending order. Click <a href="#">here</a> to see Interface Pin Usage Table.
19-36	DB17-DB0	H/L	IO	Parallel databus. Notice the descending order.
37	DEN	H/L	I	Display enable pin from controller. (RGB interface only.)
38	HSYNC	H/L	I	Line synchronization input. (RGB interface only.)
39	VSYNC	H/L	I	Frame/RAM write synchronization input. (RGB interface only.)



PIN	SIGNAL	LEVEL	DIRECTION	DESCRIPTION (Continued)
40	DCLK	H/L	I	Dot-clock signal and oscillator source. A non-stop external clock must be provided to that pin even at front or back porch non-display period.
41	NC			No Connection.
42-43	GND	L		Ground. Must be connected to an external ground.
44-45	V <sub>LOGIC</sub>	H	I	Power supply input. Must be connected to an external source. <b>Note: Both pins must be connected.</b>
46	NC			No Connection.
47	K <sub>2</sub> (LED <sub>2</sub> -)	L		Supply pin for LED. "K" (cathode or kathode for German and original Greek spelling) or "-" of LED backlight.
48	A <sub>2</sub> (LED <sub>2</sub> +)	H		Supply pin for LED. "A" (anode) or "+" of LED backlight.
49	A <sub>1</sub> (LED <sub>1</sub> +)	H		Supply pin for LED. "A" (anode) or "+" of LED backlight.
50	K <sub>1</sub> (LED <sub>1</sub> -)	L		Supply pin for LED. "K" (cathode or kathode for German and original Greek spelling) or "-" of LED backlight.

For backlight connections, please refer to [LED Backlight \(Pg. 27\)](#).



## PHOTO REFERENCE FOR PIN FUNCTIONS

Note: Both  $V_{LOGIC}$  pins (44 and 45) must be connected.

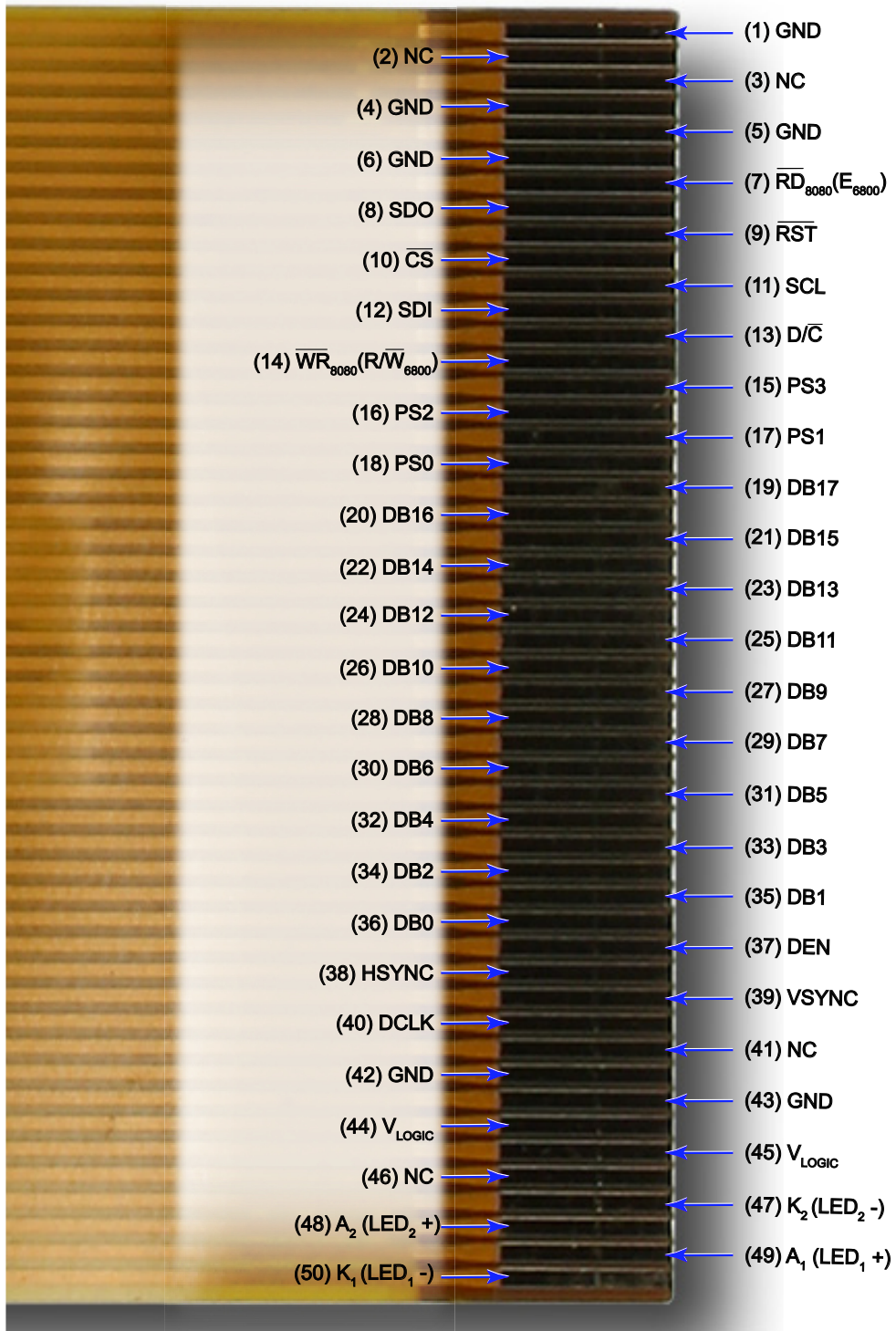


Figure 3. Back View of FFC (Pins Labeled)



## INTERFACE PIN USAGE TABLE

Click [here](#) to view a full size PDF file of the table below.

CFAF320240F Series Connections													
Label	Pin	6800 – 8 Bit	6800 – 9 Bit	6800 – 16 Bit	6800 – 18 bit	8080 – 8 Bit	8080 – 9 Bit	8080 -16 Bit	8080 – 18 Bit	SPI – 4 Wire	SPI – 3 Wire	RGB - 262K	RGB – 64K
Vss	1	Ground	Ground	Ground	Ground	Ground	Ground	Ground	Ground	Ground	Ground	Ground	Ground
NC	2	No Connect	No Connect	No Connect	No Connect	No Connect	No Connect	No Connect	No Connect	No Connect	No Connect	No Connect	No Connect
NC	3	No Connect	No Connect	No Connect	No Connect	No Connect	No Connect	No Connect	No Connect	No Connect	No Connect	No Connect	No Connect
Vss	4	Ground	Ground	Ground	Ground	Ground	Ground	Ground	Ground	Ground	Ground	Ground	Ground
Vss	5	Ground	Ground	Ground	Ground	Ground	Ground	Ground	Ground	Ground	Ground	Ground	Ground
Vss	6	Ground	Ground	Ground	Ground	Ground	Ground	Ground	Ground	Ground	Ground	Ground	Ground
RD	7	Enable	Enable	Enable	Enable	Read Strobe	Read Strobe	Read Strobe	Read Strobe	Ground	Ground	Ground	Ground
SDO	8	No Connect	No Connect	No Connect	No Connect	No Connect	No Connect	No Connect	No Connect	No Connect	No Connect	No Connect	No Connect
Reset	9	Chip Reset	Chip Reset	Chip Reset	Chip Reset	Chip Reset	Chip Reset	Chip Reset	Chip Reset	Chip Reset	Chip Reset	Chip Reset	Chip Reset
CS	10	Chip Select	Chip Select	Chip Select	Chip Select	Chip Select	Chip Select	Chip Select	Chip Select	Serial Chip Select	Serial Chip Select	Serial Chip Select	Serial Chip Select
SCL	11	No Connect	No Connect	No Connect	No Connect	No Connect	No Connect	No Connect	No Connect	Serial Clock Input	Serial Clock Input	Serial Clock Input	Serial Clock Input
SDA	12	No Connect	No Connect	No Connect	No Connect	No Connect	No Connect	No Connect	No Connect	Data Input	Data Input	Data Input	Data Input
RS	13	Data / Command	Data / Command	Data / Command	Data / Command	Data / Command	Data / Command	Data / Command	Data / Command	Serial Data / Command	No Connect	No Connect	No Connect
RW	14	Read / Write	Read / Write	Read / Write	Read / Write	Write / Read	Write / Read	Write / Read	Write / Read	No Connect	No Connect	Ground	Ground
PS3	15	0	1	0	1	0	1	0	1	1	1	1	0
PS2	16	0	0	0	0	0	0	0	0	0	1	1	1
PS1	17	0	0	0	0	0	1	1	1	1	1	1	0
PS0	18	1	1	0	0	0	1	1	0	0	1	0	1
DB17	19	x	x	x	x	x	x	x	x	NC or Gnd	NC or Gnd	RR5	RR4
DB16	20	x	x	x	x	x	x	x	x	NC or Gnd	NC or Gnd	RR4	RR3
DB15	21	x	x	x	x	x	x	x	x	NC or Gnd	NC or Gnd	RR3	RR2
DB14	22	x	x	x	x	x	x	x	x	NC or Gnd	NC or Gnd	RR2	RR1
DB13	23	x	x	x	x	x	x	x	x	NC or Gnd	NC or Gnd	RR1	RR0
DB12	24	x	x	x	x	x	x	x	x	NC or Gnd	NC or Gnd	RR0	GG5
DB11	25	x	x	x	x	x	x	x	x	NC or Gnd	NC or Gnd	GG5	GG4
DB10	26	x	x	x	x	x	x	x	x	NC or Gnd	NC or Gnd	GG4	GG3
DB9	27	NC or Gnd	x	NC or Gnd	x	NC or Gnd	x	NC or Gnd	x	NC or Gnd	NC or Gnd	GG3	NC or Gnd
DB8	28	NC or Gnd	NC or Gnd	x	x	NC or Gnd	NC or Gnd	x	x	NC or Gnd	NC or Gnd	GG2	GG2
DB7	29	NC or Gnd	NC or Gnd	x	x	NC or Gnd	NC or Gnd	x	x	NC or Gnd	NC or Gnd	GG1	GG1
DB6	30	NC or Gnd	NC or Gnd	x	x	NC or Gnd	NC or Gnd	x	x	NC or Gnd	NC or Gnd	GG0	GG0
DB5	31	NC or Gnd	NC or Gnd	x	x	NC or Gnd	NC or Gnd	x	x	NC or Gnd	NC or Gnd	BB5	BB4
DB4	32	NC or Gnd	NC or Gnd	x	x	NC or Gnd	NC or Gnd	x	x	NC or Gnd	NC or Gnd	BB4	BB3
DB3	33	NC or Gnd	NC or Gnd	x	x	NC or Gnd	NC or Gnd	x	x	NC or Gnd	NC or Gnd	BB3	BB2
DB2	34	NC or Gnd	NC or Gnd	x	x	NC or Gnd	NC or Gnd	x	x	NC or Gnd	NC or Gnd	BB2	BB1
DB1	35	NC or Gnd	NC or Gnd	x	x	NC or Gnd	NC or Gnd	x	x	NC or Gnd	NC or Gnd	BB1	BB0
DB0	36	NC or Gnd	NC or Gnd	NC or Gnd	x	NC or Gnd	NC or Gnd	NC or Gnd	x	NC or Gnd	NC or Gnd	BB0	NC or Gnd
DEN	37	Ground	Ground	Ground	Ground	Ground	Ground	Ground	Ground	Ground	Ground	Data Enable	Data Enable
HSYNC	38	Ground	Ground	Ground	Ground	Ground	Ground	Ground	Ground	Ground	Ground	Line Sync	Line Sync
VSYNC	39	Ground	Ground	Ground	Ground	Ground	Ground	Ground	Ground	Ground	Ground	Frame / RAM Sync	Frame / RAM Sync
DCLK	40	Ground	Ground	Ground	Ground	Ground	Ground	Ground	Ground	Ground	Ground	Dot Clock	Dot Clock
NC	41	No Connect	No Connect	No Connect	No Connect	No Connect	No Connect	No Connect	No Connect	No Connect	No Connect	No Connect	No Connect
Vss	42	Ground	Ground	Ground	Ground	Ground	Ground	Ground	Ground	Ground	Ground	Ground	Ground
Vss	43	Ground	Ground	Ground	Ground	Ground	Ground	Ground	Ground	Ground	Ground	Ground	Ground
Vcc	44	+3v	+3v	+3v	+3v	+3v	+3v	+3v	+3v	+3v	+3v	+3v	+3v
Vcc	45	+3v	+3v	+3v	+3v	+3v	+3v	+3v	+3v	+3v	+3v	+3v	+3v
NC	46	No Connect	No Connect	No Connect	No Connect	No Connect	No Connect	No Connect	No Connect	No Connect	No Connect	No Connect	No Connect
K2	47	Backlight -	Backlight -	Backlight -	Backlight -	Backlight -	Backlight -	Backlight -	Backlight -	Backlight -	Backlight -	Backlight -	Backlight -
A2	48	Backlight +	Backlight +	Backlight +	Backlight +	Backlight +	Backlight +	Backlight +	Backlight +	Backlight +	Backlight +	Backlight +	Backlight +
A1	49	Backlight +	Backlight +	Backlight +	Backlight +	Backlight +	Backlight +	Backlight +	Backlight +	Backlight +	Backlight +	Backlight +	Backlight +
K1	50	Backlight -	Backlight -	Backlight -	Backlight -	Backlight -	Backlight -	Backlight -	Backlight -	Backlight -	Backlight -	Backlight -	Backlight -

## ADDITIONAL INFORMATION ON INTERFACE TYPES

- I want to display video. Which interface is faster, SPI or parallel?

The SPI interface is a clocked interface. Each command or data bit is clocked. With the 18-bit parallel interface, you are able to pass 18 bits of command or data at a time. Using the same controller at the same clock speed, the parallel interface will always be faster.

- What if I need RS-232 serial interface?

Three-wire or four-wire SPI interface is not RS-232 but does not require the control lines that the 8-, 9-, of 16-bit interfaces do.

- Using the 8-bit 8080 interface, what should be done with pins DB9-DB0 (pins 27-36)? Tie them to ground, pull them up, or let them float?

Leave unused pins floating.



## ABOUT THE CFAF320240F-035T-TS TOUCH SCREEN

For touch screen pins, see page 5 of the [Module Outline Drawings \(Pg. 12\)](#).

The touch screen must be driven in one direction, then read in the other direction.

- ❑ TI (Texas Instruments) makes a low-level part that has the drivers and ADC built into one part. See hyperlinks under "Additional Information" on the following page.
- ❑ Some microcontrollers have analog inputs that may work directly. [TSHARC \(www.tsharc.com\)](http://www.tsharc.com) makes a high-level controller from a pre-programmed PIC microcontroller.
- ❑ Microchip has some high level touch screen support available. See [www.microchip.com/en\\_us/technology/mtouch](http://www.microchip.com/en_us/technology/mtouch).

### Basic Concept

Put a gradient across one set of electrodes. Set both electrodes as digital outputs, driving one high and the other one low. Look at either of the *other* set of electrodes (both set as inputs, at least one analog). The analog input will pick up the voltage of the gradient at the contact point. To read the other channel, rotate the whole process 90 degrees. You may need to address other factors, including references, calibration, drift, non-contact, detecting "taps", and "double-taps".

### Additional Information

- ❑ A comparison of three types of touch screens: [www.howstuffworks.com/question716.htm](http://www.howstuffworks.com/question716.htm).
- ❑ An introductory explanation of how four-wire resistive touch screens work: [www.elotouch.com/Technologies/AT4/howitworks.asp](http://www.elotouch.com/Technologies/AT4/howitworks.asp).
- ❑ Information on the structure of a resistive touch screen: [www.dmccoltd.com/english/tecnical/logs/tec20041126\\_a.asp](http://www.dmccoltd.com/english/tecnical/logs/tec20041126_a.asp).
- ❑ IDT clock/timing devices: [www.idt.com/?catID=18690836&source=ICSTcom](http://www.idt.com/?catID=18690836&source=ICSTcom).
- ❑ Texas Instruments ADS7843 and TSC2003 4-wire touch screen controllers: <http://focus.ti.com/docs/prod/folders/print/ads7843.html> and <http://focus.ti.com/docs/prod/folders/print/tsc2003.html>.

## ESD (ELECTRO-STATIC DISCHARGE)

The circuitry is industry standard CMOS logic and susceptible to ESD damage. Please use industry standard antistatic precautions as you would for any other static sensitive devices such as expansion cards, motherboards, or integrated circuits. Ground your body, work surfaces, and equipment.





# OPTICAL SPECIFICATIONS

## OPTICAL CHARACTERISTICS

Ambient Temperature (Ta) = 25°C, Maximum 75% Relative Humidity						
ITEM	SYMBOL	ADDITIONAL TEST CONDITIONS	MINIMUM	TYPICAL	MAXIMUM	
Color Depth				262K		
Transmittance	T	with polarizer	5.7%	6.76%		
Contrast Ratio (CR) <sup>1</sup>		$\theta = \varphi - 0^\circ$	320	400		
TFT Response Time <sup>2</sup>	Tr			8 ms	12 ms	
	Tf			17 ms	23 ms	
Red Chromaticity	x			0.627 ms	0.647 ms	0.667 ms
	y			0.316 ms	0.336 ms	0.356 ms
Green Chromaticity	x			0.116 ms	0.136 ms	0.156 ms
	y			0.556 ms	0.576 ms	0.596 ms
Blue Chromaticity	x			0.116 ms	0.136 ms	0.156 ms
	y			0.109 ms	0.129 ms	0.149 ms
White Chromaticity	x			0.285 ms	0.305 ms	0.325 ms
	y		0.314 ms	0.334 ms	0.354 ms	
Viewing Direction (O'Clock)				6:00		
<sup>1</sup> Contrast Ratio = (brightness with pixels light)/(brightness with pixels dark). <sup>2</sup> Response Time is the amount of time it takes a pixel to change from active to inactive or back again. Tr = T rise, Tf = T fall.						



## DEFINITION OF RESPONSE TIME (TR, TF)

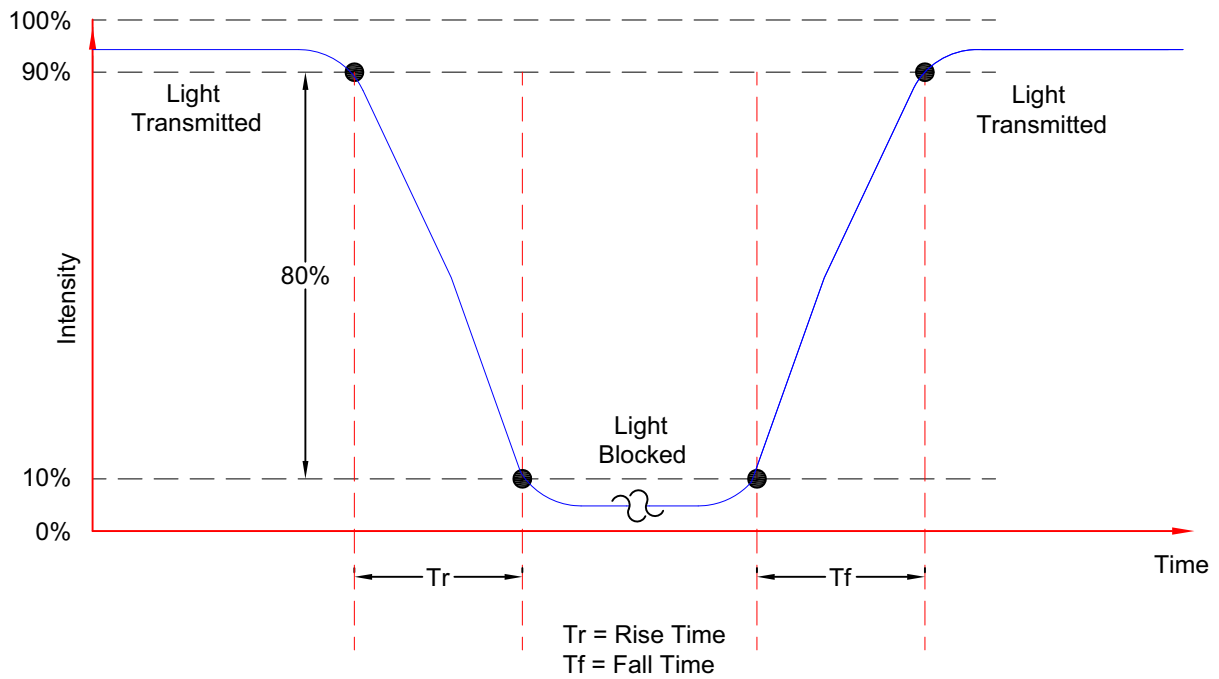


Figure 4. Definition of Response Time ( $T_r$ ,  $T_f$ )

## DEFINITION OF VERTICAL AND HORIZONTAL VIEWING ANGLES ( $CR_{\geq 2}$ )

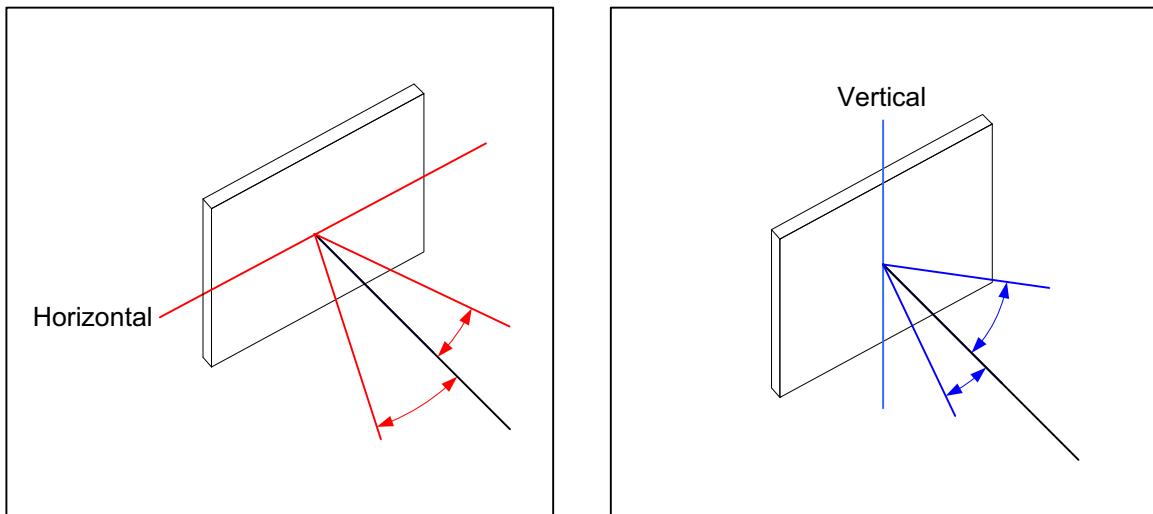


Figure 5. Definition of Horizontal and Vertical Viewing Angles ( $CR_{\geq 2}$ )



## DEFINITION OF 6 O'CLOCK AND 12:00 O'CLOCK VIEWING ANGLES

This module has a 6:00 o'clock viewing angle. A 6:00 o'clock viewing angle is a bottom viewing angle like what you would see when you look at a cell phone or calculator. A 12:00 o'clock viewing angle is a top viewing angle like what you would see when you look at the gauges in a golf cart or airplane.

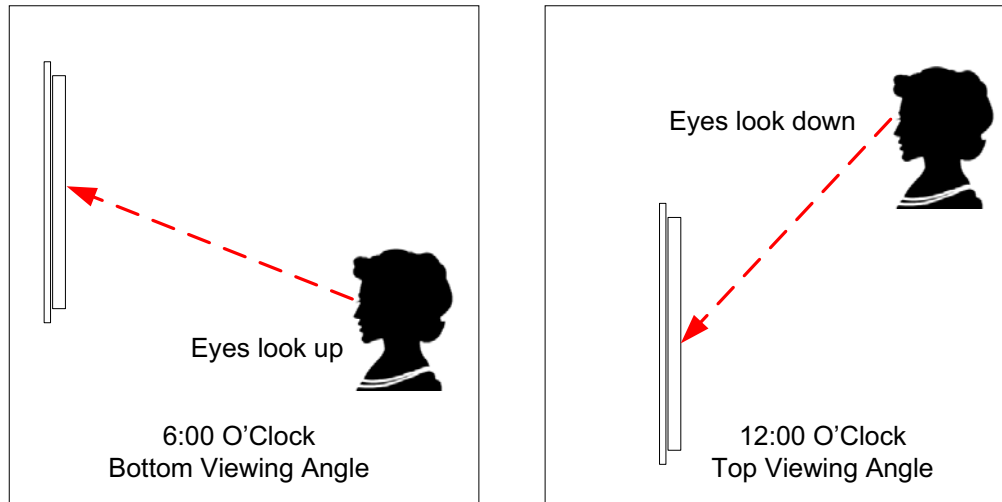


Figure 6. Definition of 6:00 O'Clock and 12:00 O'Clock Viewing Angles

## LED BACKLIGHT

These TFT display modules use an LED backlight. LED backlights are easy to use, but they are also easily damaged by abuse.

### NOTE

We recommend that the LED backlight be dimmed or turned off during periods of inactivity to conserve its lifetime.

LEDs are “current” devices. The important aspect of driving an LED is the current flowing through it, not the voltage across it. Ideally, a current source would be used to drive the LEDs. In practice, a simple current limiting resistor in line from a voltage source will work well in most applications and is much less complex than a current source.

You need to know what the forward voltage of the LEDs is so you can calculate the current limiting resistor ( $R_{LIMIT}$ ). The forward voltage will vary slightly from display to display.



## "Always On" Backlight Connections

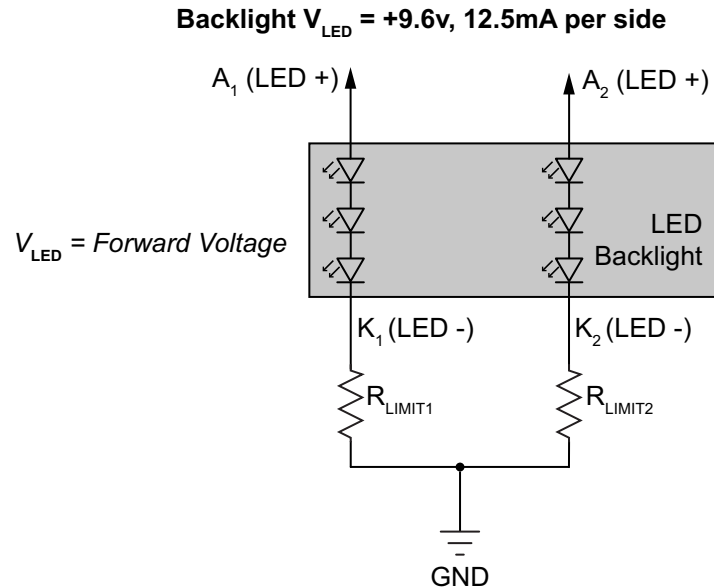


Figure 7. Typical LED Backlight Connections For "Always On"

## PWM Dimming

The backlight may be dimmed by PWM (Pulse Width Modulation). The typical range for the PWM frequency is from 100 to 300 Hz.

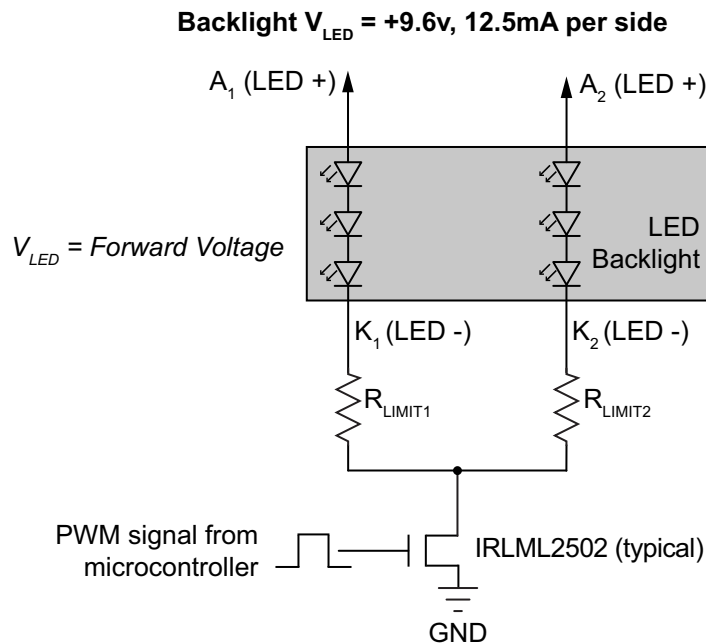


Figure 8. Example of LED Backlight Connections For PWM Dimming



## Backlight Characteristics

Ambient temperature: $T_A = 25^\circ\text{C}$			
Backlight Characteristics			
<i>White edge-lit with two parallel rows of LEDs, three LEDs in each row, six total LEDs.</i>			
<i>White LED backlight displays light pixels on a dark colored area (any color combination) or invert for dark colored pixels (any color combination) on a light area.</i>			
PARAMETER	MINIMUM	TYPICAL	MAXIMUM
Forward Current ( $I_{LED}$ )	10mA per row 10mA x 2 rows = 20mA	12.5mA per row 12.5mA x 2 rows = 25mA	20mA per row 20mA x 2 rows = 40mA
Driving the backlight above 25mA will shorten its lifetime.			
Forward Voltage ( $V_{LED}$ )	+8.4v (Typ)	<b>+9.6v (Typ)</b>	+10.2v (Typ)
Luminous Intensity* ( $I_V$ ) $I_{LED} = 25\text{mA}$	CFAF320240F-035T: 175 cd/m <sup>2</sup> CFAF320240F-035T-TS: 115 cd/m <sup>2</sup>	CFAF320240F-035T: 200 cd/m <sup>2</sup> CFAF320240F-035T-TS: 150 cd/m <sup>2</sup>	CFAF320240F-035T: 225 cd/m <sup>2</sup> CFAF320240F-035T-TS: 185 cd/m <sup>2</sup>
CFAF320240F-035T: The backlight is measured through the TFT. Direct backlight measurement is significantly brighter. CFAF320240F-035T-TS: The backlight is measured through the TFT and touch screen.			
Reverse Voltage (VR)			15v

## How to Use Current Feedback LED Driver

The maximum forward voltage is +9.6v. For lifetime reliability, we do not recommend pushing more than the 12.5 mA through the LEDs.



If you have only +3.3v available and need to step up the power supply for the LED backlight, use a current feedback LED driver such as the Fairchild Semiconductor [FAN5333](http://www.fairchildsemi.com/pf/FA/FAN5333B.html) ([www.fairchildsemi.com/pf/FA/FAN5333B.html](http://www.fairchildsemi.com/pf/FA/FAN5333B.html)). One source for the FAN5333 is here: <http://search.digikey.com/scripts/DkSearch/dksus.dll?Cat=2556628&k=FAN5333>. The FAN5333 is good to +30v. Many similar drivers are available. By using a driver, you do not need a current limiting resistor. Here is the example circuit from the FAN5333 datasheet:

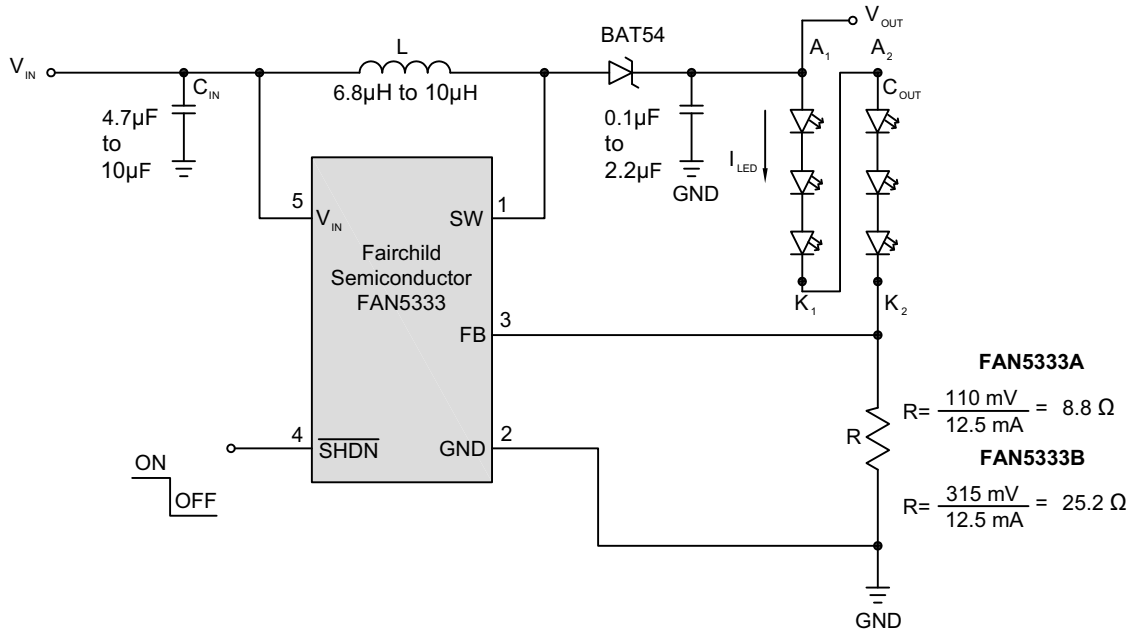


Figure 9. Circuit Example Using Feedback LED Driver

## SOURCES FOR DRIVER LIBRARIES AND SAMPLE CODE

### SOURCES FOR DRIVER LIBRARIES

Graphic LCD driver libraries may save you a lot of time and help you develop a more professional product. Possible library sources are [easyGUI](#), [en.radzio.dxp.pl](#), [RAMTEX](#), and [Segger emWin](#).

### SOURCE FOR SAMPLE CODE

Free downloadable sample code is on our website under the [CFAF320240F-035T](#) or [CFAF320240F-035T-TS](#) DATASHEETS & FILES tabs.



## MODULE RELIABILITY AND LONGEVITY

### RELIABILITY TEST RESULTS

RELIABILITY TEST RESULTS			
TEST	CONDITION	SAMPLE SIZE	TEST RESULT
Low Temperature	-20°C, 96 Hours	3 displays	Pass
Thermal Humidity	70°C, 90% RH, 96 Hours		Pass
Temperature Cycle On/Off	-20°C, 70°C, On/Off, 20 Cycles On cycle: >10 seconds Off cycle: <10 seconds		Pass
High Temperature Storage	80°C, 96 Hours		Pass
Low Temperature Storage	-30°C, 96 Hours		Pass
ESD	150pF, 330Ω, ±6KV(Contact)/± 8KV(Air), 5 points/panel, 10 times/point		Pass
Thermal Shock Resistance	See test description.	3 displays	Pass

One test cycle is:

1. Test Low for 30 minutes.
2. Normal temperature for 5 minutes.
3. Test High for 30 minutes.
4. Normal temperature for 5 minutes.
5. Take out and dry at Normal temperature and allow to stand for 24 hours.

Repeat these steps for a total of 5 cycles.

### MODULE RELIABILITY

PART NUMBER	SPECIFICATION*
CFAF320240F-035T CFAF320240F-035T-TS	10,000 hours >50% of Initial Brightness (New Module)
*Under operating and storage temperature specification limitations, humidity RH 45+20%, and no exposure to direct sunlight.	

The white LEDs dim over time, especially if driven with high currents. The dimming may not be noticeable when a single display is installed. However, if a new display is installed next to a display that has been on continuously for a very long time, you will see the difference. To preserve the lifetime of white LEDs, we recommend that white LED backlights are dimmed or turned off when not needed. *Also, please do not use more current than you need to achieve your brightness requirements.*

### MODULE LONGEVITY (EOL/REPLACEMENT POLICY)

Crystalfontz is committed to making all of our modules available for as long as possible. For each module we introduce, we intend to offer it indefinitely. We do not preplan a module's obsolescence. The majority of modules we have introduced are still available.



We recognize that discontinuing a module may cause problems for some customers. However, rapidly changing technologies, component availability, or low customer order levels may force us to discontinue ("End of Life", EOL) a module. For example, we must occasionally discontinue a module when a supplier discontinues a component or a manufacturing process becomes obsolete. When we discontinue a module, we will do our best to find an acceptable replacement module with the same fit, form, and function.

In most situations, you will not notice a difference when comparing a "fit, form, and function" replacement module to the discontinued module. However, sometimes a change in component or process for the replacement module results in a slight variation, perhaps an improvement, over the previous design.

Although the replacement module is still within the stated Datasheet specifications and tolerances of the discontinued module, changes may require modification to your circuit and/or firmware. Possible changes include:

- *Controller/Driver*. A new controller/driver may require minor changes in your code.
- *Component tolerances*. Module components have manufacturing tolerances. In extreme cases, the tolerance stack can change the visual or operating characteristics.
- *Component tolerances*. Module components have manufacturing tolerances. In extreme cases, the tolerance stack can change the visual or operating characteristics.

Please understand that we avoid changing a module whenever possible; we only discontinue a module if we have no other option. We will post Part Change Notices on the product's web page as soon as possible. If interested, you can subscribe to future part change notifications.