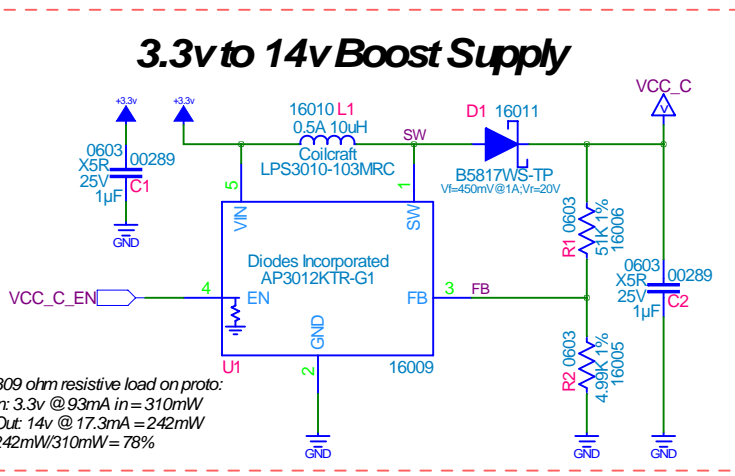


REV	ENGINEER	DATE	REMARKS
0v0	BAC	2017-02-01	Initial Creation
0v1	BAC	2017-02-21	Fix MOSI/SCK, add current measurements
-	-	-	-
-	-	-	-
-	-	-	-

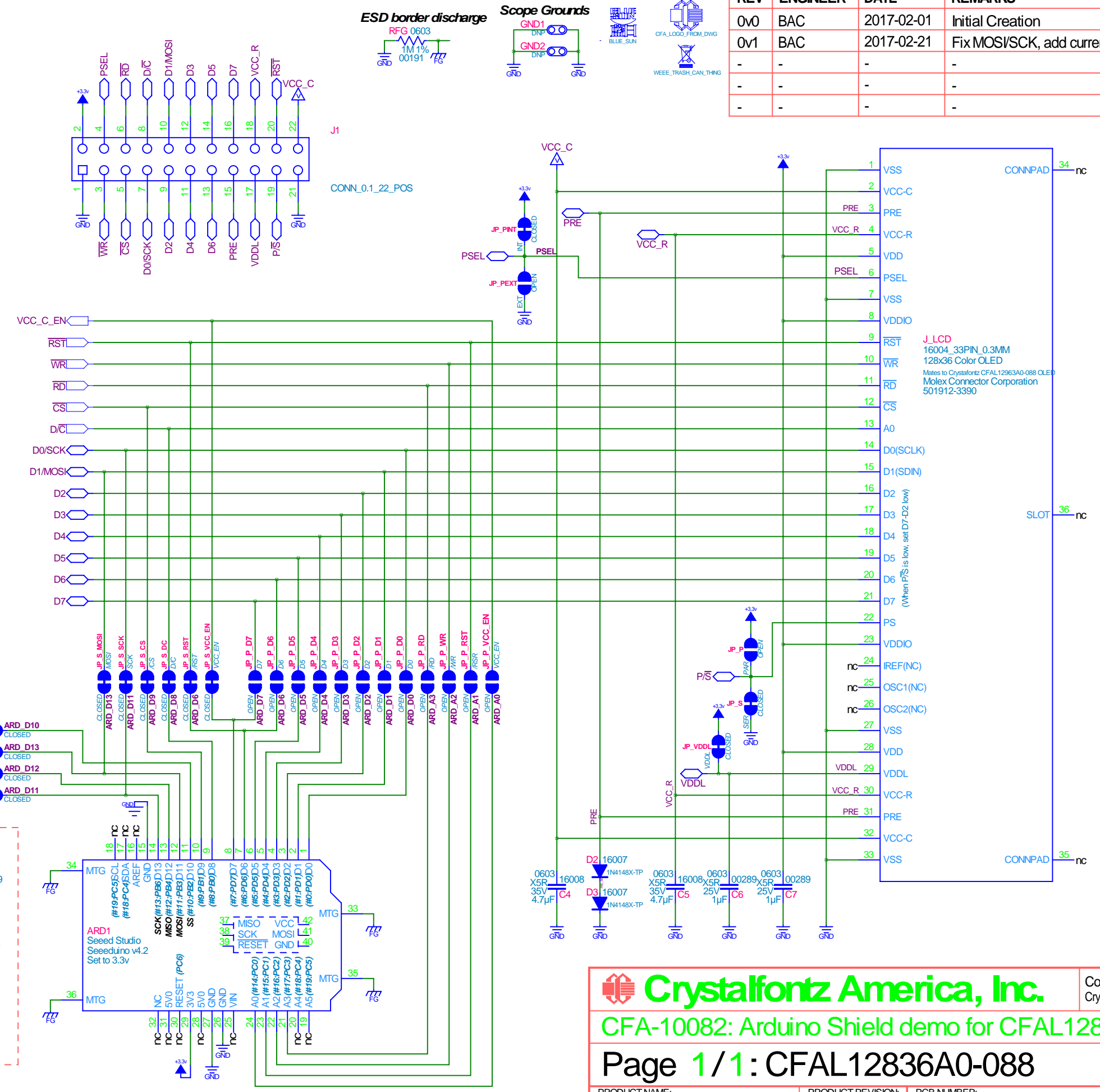
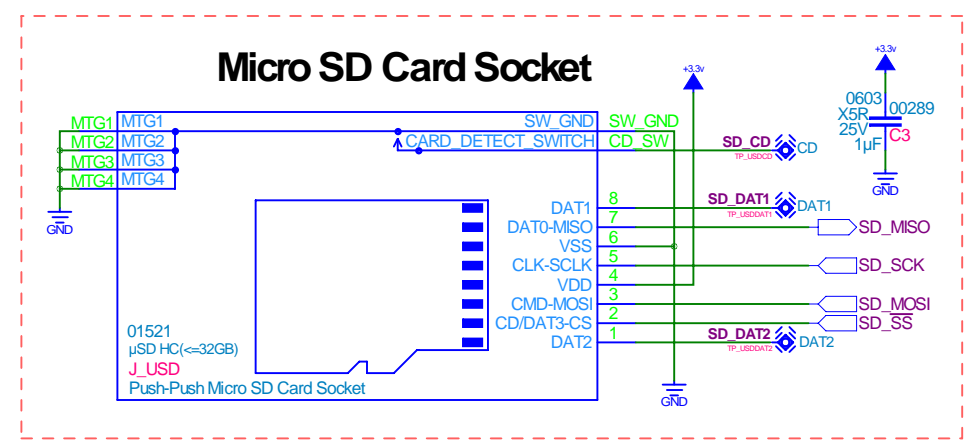
### Jumper Setting

	JP_S_*	JP_P_*	JP_SD_*
SPI	CLOSE	open	
Parallel	open	CLOSE	
			μSD Enabled
			CLOSE
			μSD Disabled
			open



### Measuring Prototype Current for 3.3v Supply

All black screen, Vcc Off	-0mA
All black screen, Vcc On	5mA
All white screen	150mA
B/W Checkerboard	71mA
All red screen	63mA
All green screen	45mA
All blue screen	52mA
Fast BMP load loop	99mA-104mA



**Crystalfontz America, Inc.**  
 Copyright © 2017  
 Crystalfontz America, Inc.

**CFA-10082: Arduino Shield demo for CFAL12836A0-088**

**Page 1/1: CFAL12836A0-088**

PRODUCT NAME:	PRODUCT REVISION:	PCB NUMBER:	PCB REVISION:
<b>CFA-215/216</b>	<b>0v1</b>	<b>CFA-10082</b>	<b>0v1</b>