



OLED DISPLAY MODULE DATASHEET



Datasheet Release Date 2017-06-30
for
CFAL12832D-BY

Crystalfontz America, Inc.

12412 East Saltese Avenue
Spokane Valley, WA 99216-0357
Phone: 888-206-9720
Fax: 509-892-1203
Email: support@crystalfontz.com
URL: www.crystalfontz.com

CONTENTS

1. General Information	3
2. Module Description	4
3. Features	4
4. Mechanical Data	4
5. Mechanical Drawings	5
6. Interface Pin Function	6
7. Interface Pinout for SPI and I ² C	7
8. AC Characteristics	7
9. Absolute Maximum Ratings	9
10. DC Characteristics	10
11. Optical Characteristics	10
12. OLED Lifetime	10
13. OLED Module Precautions.....	11

1. General Information

Datasheet Revision History

Datasheet Release: **2017-06-30**
Datasheet for the CFAL12832D-BY OLED graphic display module.

Product Change Notifications

You can check for or subscribe to [Part Change Notices](#) for this display module on our website.

Variations

Slight variations between lots are normal (e.g., contrast, color, or intensity).

Volatility

This display module has volatile memory.

Disclaimer

Certain applications using CrystalFontz America, Inc. products may involve potential risks of death, personal injury, or severe property or environmental damage ("Critical Applications"). CRYSTALFONTZ AMERICA, INC. PRODUCTS ARE NOT DESIGNED, INTENDED, AUTHORIZED, OR WARRANTED TO BE SUITABLE FOR USE IN LIFE-SUPPORT APPLICATIONS, DEVICES OR SYSTEMS OR OTHER CRITICAL APPLICATIONS. Inclusion of CrystalFontz America, Inc. products in such applications is understood to be fully at the risk of the customer. In order to minimize risks associated with customer applications, adequate design and operating safeguards should be provided by the customer to minimize inherent or procedural hazard. Please contact us if you have any questions concerning potential risk applications.

CrystalFontz America, Inc. assumes no liability for applications assistance, customer product design, software performance, or infringements of patents or services described herein. Nor does CrystalFontz America, Inc. warrant or represent that any license, either express or implied, is granted under any patent right, copyright, or other intellectual property right of CrystalFontz America, Inc. covering or relating to any combination, machine, or process in which our products or services might be or are used.

All specifications in datasheets on our website are, to the best of our knowledge, accurate but not guaranteed. Corrections to specifications are made as any inaccuracies are discovered.

Company and product names mentioned in this publication are trademarks or registered trademarks of their respective owners.

Copyright © 2017 by CrystalFontz America, Inc., 12412 East Saltese Avenue, Spokane Valley, WA 99216 U.S.A.

2. Module Description

This is a very small yellow-on-black OLED graphic display module with high resolution. This display has a Solomon Systech SSD1306 controller with I²C, 3-wire SPI, or 4-wire SPI. The Solomon Systech SSD1306 controller only requires a single 3.3v supply for power and logic.

Please see [Solomon Systech SSD1306 LCD Controller Datasheet](#) for further reference.

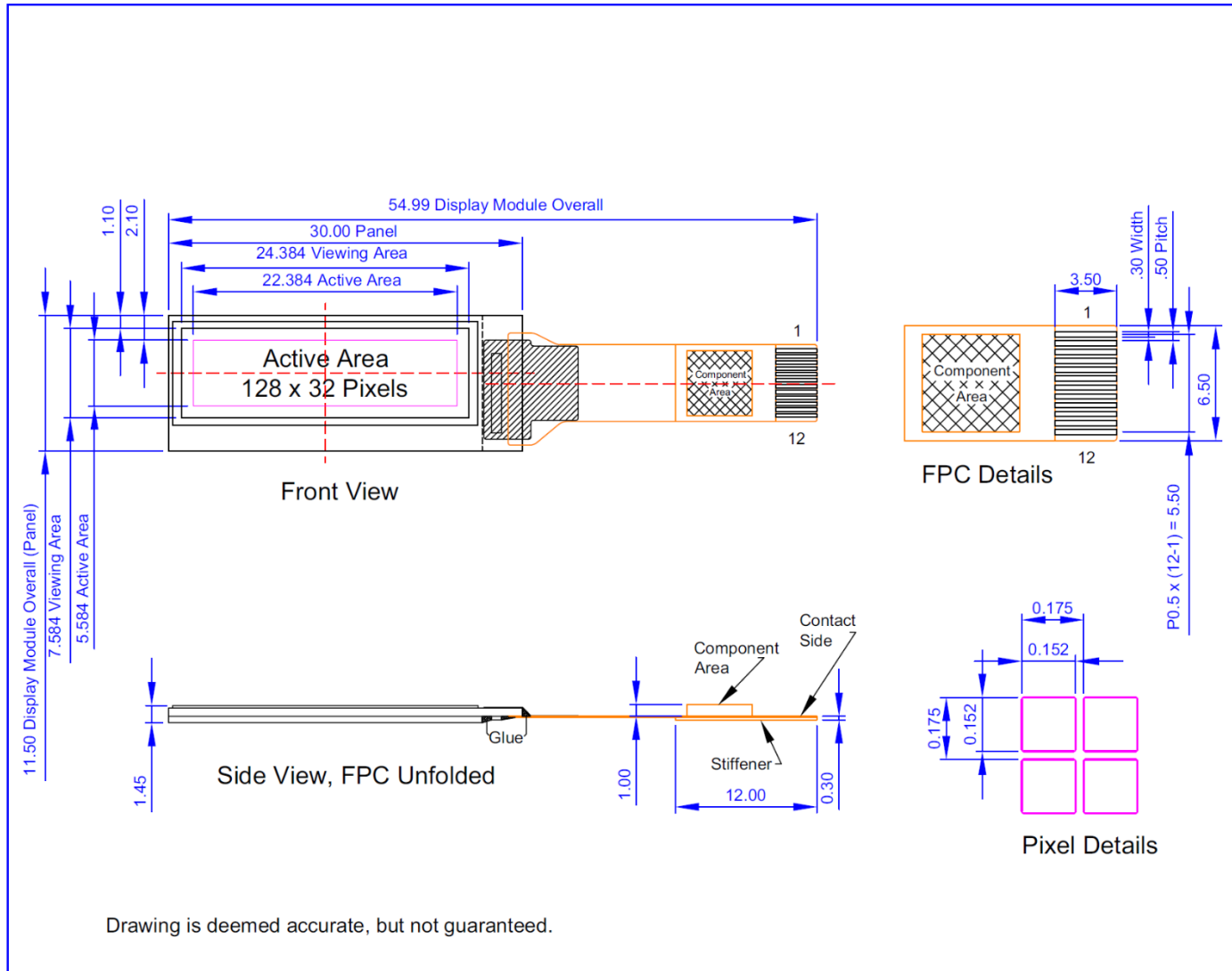
3. Features

- 128*32 Dot Matrix
- Built-in Controller: SSD1306 (or equivalent)
- Easy ZIF Connection
- +3V Power Supply
- 1/32 Duty
- Temperature Operation: -40° to +80°C
- Storage Temperature: -40° to +80°C
- Interface: I²C, SPI


4. Mechanical Data

Item	Specification (mm)	Specification (inches, reference)
Module Dimension with FPC Folded	30.0 (W) x 11.5 (H) x 1.45 (D)	1.181 (W) x 0.453 (H) x 0.057 (D)
Viewing Area	24.38 (W) x 7.58 (H)	0.959 (W) x 0.298 (H)
Active Area	22.38 (W) x 5.58 (H)	0.893 (W) x 0.219 (H)
Dot Pitch	0.175 (W) x 0.175 (H)	0.007 (W) x 0.007 (H)
Dot Size	0.152 (W) x 0.152 (H)	0.006 (W) x 0.006 (H)
Module Connector Pitch	0.50	0.0197
Weight (Typical)	1.3 grams	0.0459 ounces

5. Mechanical Drawings



Drawing is deemed accurate, but not guaranteed.

 <p>Copyright © 2016 by Crystalfontz America, Inc. www.crystalfontz.com/products/</p>	<p>Part No.(s): CFAL12832D-B Series</p>	<p>Scale: Not to scale</p>	<p>Drawing Number: CFAL12832D-B</p>
		<p>Units: Millimeters</p>	<p>Date: 2017-06-29</p>

6. Interface Pin Function

Pin No.	Symbol	Function												
1	GND	Ground												
2	D2	These are 3-bit bi-directional data bus to be connected to the microprocessor's data bus. When serial interface mode is selected, D0 will be the serial clock input: SCLK: D1 will be the serial data input: SDIN and D2 should be kept NC. When I ² C mode is selected, D2, D1 should be tied together and serve as SDA _{OUT} , SDA _{IN} in application and D0 is the serial clock input, SCL.												
3	D1													
4	D0													
5	D/C#	Data/Command Control Pin. When the pin is pulled high and serial interface mode is selected, the data at SD _{IN} is treated as data. When it is pulled low, the data at SD _{IN} will be transferred to the command register. For detail relationship to MCU interface signals, please refer to the Timing Characteristics Diagrams. I ² C Mode: D/C# is used to set the I ² C slave address as follows: 0 = 0x78 1 = 0x7A												
6	RST#	Reset Signal Input Pin. When the pin is low, initialization of the chip is executed.												
7	CS#	Chip Select Input Pin. The chip is enable for MCU communication only when CS# is pulled low.												
8	BS1	<table border="1"> <thead> <tr> <th>SSD1306 Pin Name</th> <th>I²C Interface</th> <th>4-Wire Serial Interface</th> <th>3-Wire Serial Interface</th> </tr> </thead> <tbody> <tr> <td>BS0</td> <td>0</td> <td>0</td> <td>1</td> </tr> <tr> <td>BS1</td> <td>1</td> <td>0</td> <td>0</td> </tr> </tbody> </table>	SSD1306 Pin Name	I ² C Interface	4-Wire Serial Interface	3-Wire Serial Interface	BS0	0	0	1	BS1	1	0	0
SSD1306 Pin Name	I ² C Interface		4-Wire Serial Interface	3-Wire Serial Interface										
BS0	0		0	1										
BS1	1	0	0											
9	BS0													
10	V _{DD}	Power Supply Input, 3.3v nominal. Connect V _{DD} and V _{BAT} together.												
11	V _{BAT}													
12	GND	Ground. It also acts as a reference for the logic pins, the OLED driving voltages, and the analog circuits. It must be connected to an external ground.												

7. Interface Pinout for SPI and I²C

Pin No	Sym	Interface		
		3 Wire SPI	4 Wire SPI	I2C
1	GND	GND	GND	GND
2	D2	NC	NC	SDA*
3	D1	SDA	SDA	SDA*
4	D0	SCLK	SCLK	SCL
5	D/C#	NC	D/C	I2C Address***
6	RES#	RESET	RESET	RESET
7	CS#	GND	GND	GND
8	BS1	GND	GND	Vcc
9	BS0	Vcc	GND	GND
10	Vdd	Vcc**	Vcc**	Vcc**
11	Vbat	Vcc**	Vcc**	Vcc**
12	GND	GND	GND	GND

Microcontroller	Control lines defined by layout / code
+3.3v	Supply voltage
Ground	Supply ground

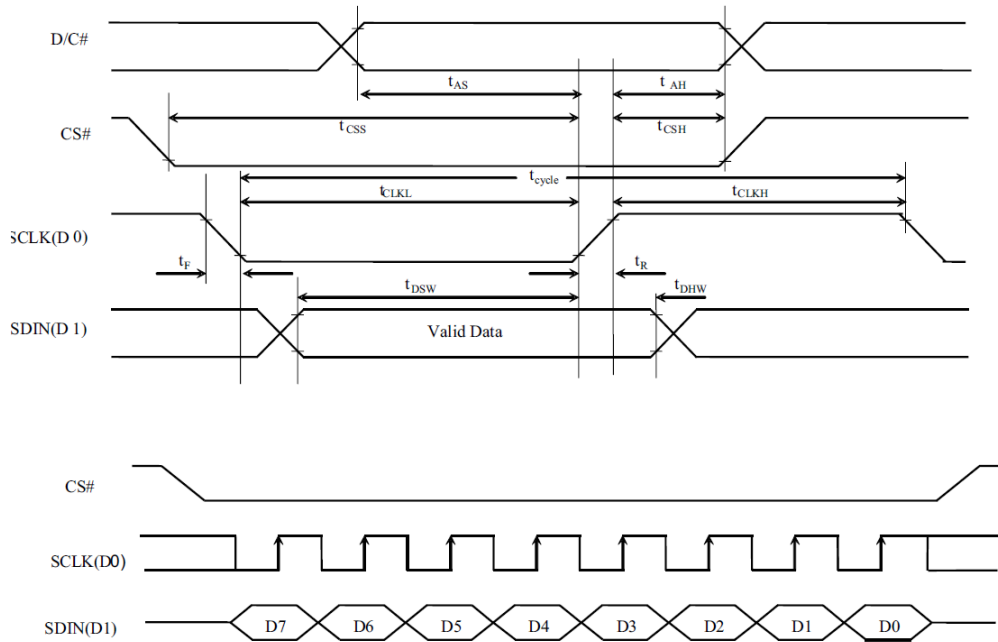
Notes:			
*	Tie D2 and D1 together		
**	Tie Vdd and Vbat together		
***	D/C#	Vcc	GND
	I2C Address	0x7A	0x78

8. AC Characteristics

8.1. 4-Wire SPI Interface Timing

(V_{DD} - V_{SS} = 1.65V to 3.3V, T_A = 25°C)

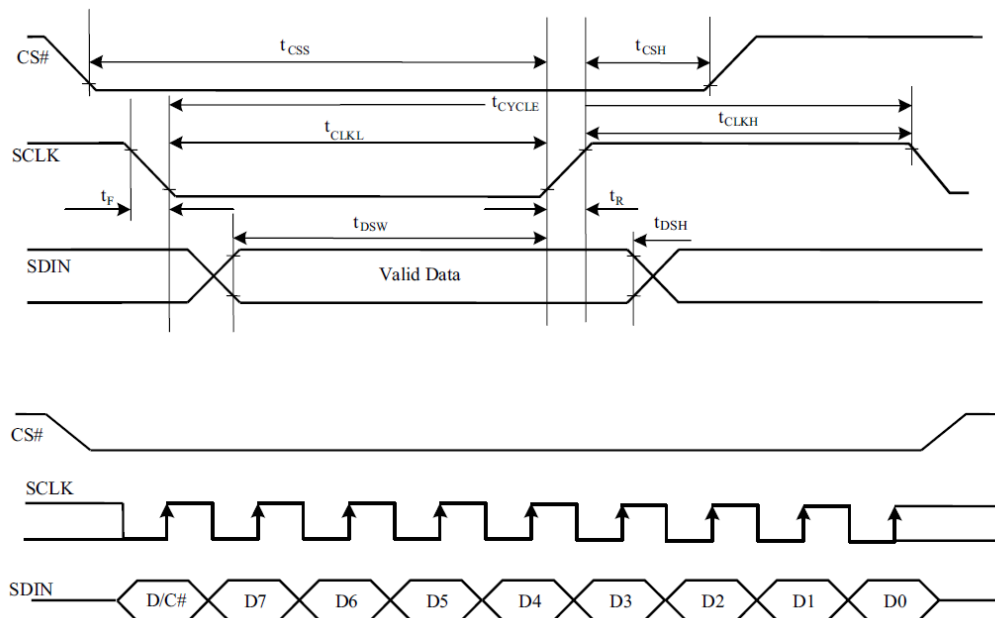
Symbol	Parameter	Min	Typ	Max	Unit
t _{cycle}	Clock Cycle Time	100	-	-	ns
t _{AS}	Address Setup Time	15	-	-	ns
t _{AH}	Address Hold Time	15	-	-	ns
t _{CSS}	Chip Select Setup Time	20	-	-	ns
t _{CSH}	Chip Select Hold Time	10	-	-	ns
t _{DSW}	Write Data Setup Time	15	-	-	ns
t _{DHW}	Write Data Hold Time	15	-	-	ns
t _{CLKL}	Clock Low Time	20	-	-	ns
t _{CLKH}	Clock High Time	20	-	-	ns
t _R	Rise Time	-	-	40	ns
t _F	Fall Time	-	-	40	ns



8.2. 3-Wire SPI Interface Timing

($V_{DD} - V_{SS} = 1.65V$ to $3.3V$, $T_A = 25^\circ C$)

Symbol	Parameter	Min	Typ	Max	Unit
t_{cycle}	Clock Cycle Time	100	-	-	ns
t_{CSS}	Chip Select Setup Time	20	-	-	ns
t_{CSH}	Chip Select Hold Time	10	-	-	ns
t_{DSW}	Write Data Setup Time	15	-	-	ns
t_{DHW}	Write Data Hold Time	15	-	-	ns
t_{CLKL}	Clock Low Time	20	-	-	ns
t_{CLKH}	Clock High Time	20	-	-	ns
t_R	Rise Time	-	-	40	ns
t_F	Fall Time	-	-	40	ns

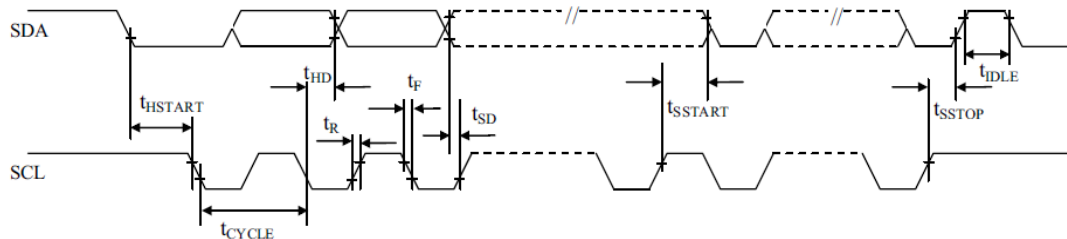




8.3. I²C Interface Timing

Conditions:
V_{DD}-V_{SS} = V_{DD}-V_{SS} = 1.65v to 3.3v
T_a = 25°C

Symbol	Parameter	Min	Typ	Max	Unit
t _{cycle}	Clock Cycle Time	2.5	-	-	us
t _{HSTART}	Start condition Hold Time	0.6	-	-	us
t _{HD}	Data Hold Time (for "SDA _{OUT} " pin)	0	-	-	ns
	Data Hold Time (for "SDA _{IN} " pin)	300	-	-	ns
t _{SD}	Data Setup Time	100	-	-	ns
t _{SSTART}	Start condition Setup Time (Only relevant for a repeated Start condition)	0.6	-	-	us
t _{SSTOP}	Stop condition Setup Time	0.6	-	-	us
t _R	Rise Time for data and clock pin	-	-	300	ns
t _F	Fall Time for data and clock pin	-	-	300	ns
t _{IDLE}	Idle Time before a new transmission can start	1.3	-	-	us



NOTE: Driver libraries may save you a lot of time and help you develop a more professional product. Possible library sources are [easyGUI](#), [RAMTEX](#), [Micrium](#), and [Segger](#).

9. Absolute Maximum Ratings

Parameter	Symbol	Min	Max	Unit	Notes
Supply Voltage for Logic	V _{DD} - V _{BAT}	0	4	V	(1)(2)
Operating Temperature	T _{OP}	-40	+80	°C	-
Storage Temperature	T _{STG}	-40	+80	°C	-

Notes:

- (1) These are stress ratings only. Extended exposure to the absolute maximum ratings listed above may affect device reliability or cause permanent damage.
- (2) Functional operation should be restricted to the limits in the DC Characteristics table below.

10. DC Characteristics

Item	Symbol	Condition	Min	Typ	Max	Unit
Supply Voltage for Logic	$V_{DD} - V_{BAT}$ (Connect Together)	-	2.8	3.3	3.3	V
High-level Input	V_{IH}	-	$0.8 \times V_{DD}$	-	V_{DD}	V
Low-level Input	V_{IL}	-	0v (GND)	-	$0.2 \times V_{DD}$	V
High-level Output	V_{OH}	-	$0.9 \times V_{DD}$	-	V_{DD}	V
Low-level Output	V_{OL}	-	0v (GND)	-	$0.1 \times V_{DD}$	V
50% Check Board Operating Current	I_{BAT}	-	-	13	16	mA

NOTE: These are stress ratings only. Extended exposure to the absolute maximum ratings listed above may affect device reliability or cause permanent damage.

11. Optical Characteristics

Item	Symbol	Condition	Min	Typ	Max
View Angle	$(V)\theta$	Vertical	-	$\geq 160^\circ$	-
	$(H)\phi$	Horizontal			
Contrast Ratio	CR	Dark	-	2000:1	-
Response Time	T rise	$T_a = 25^\circ\text{C}$	-	10 μs	-
	T fall	$T_a = 25^\circ\text{C}$			
Display with 50% Checkerboard Brightness	-	-	100 cd/m^2	120 cd/m^2	-
CIE _x Yellow	-	CIE1931	-	0.47	-
CIE _y Yellow	-		-	0.50	-

12. OLED Lifetime

Item	Conditions	Min	Typ	Notes
Operating Lifetime	$T_a = 25^\circ\text{C}$ Initial 50% Check Board Brightness Typical Value	50,000 Hrs	-	(1)(2)(3)

Notes:

- (1) Lifetime is defined as the amount of time when the luminance has decayed to <50% of the initial value.
- (2) This analysis method uses life data obtained under accelerated conditions to extrapolate an estimated Probability Density Function (PDF) for the product under normal use conditions.
- (3) Screen saving mode will extend OLED lifetime.

13. OLED Module Precautions

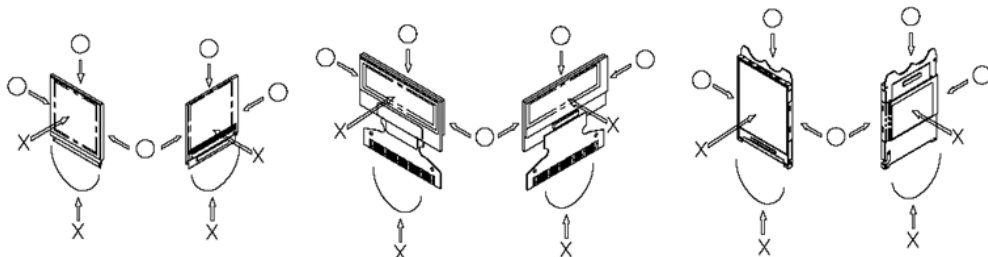
The precautions below should be followed when using OLED modules to help ensure personal safety, module performance, and compliance of environmental regulations.

13.1. Modules

- Avoid applying excessive shocks to module or making any alterations or modifications to it.
- Do not make extra holes on the printed circuit board, modify its shape or change the components of OLED display module.
- Do not disassemble the OLED display module.
- Do not operate the OLED display module above the absolute maximum rating.
- Do not drop, bend or twist the OLED display module.
- Soldering: only to the I/O terminals.
- Store in an anti-static electricity container and clean environment.
- It is common to use the "screen saver" to extend the lifetime of the OLED display module.
 - Do not use the fixed information for long periods of time in real application.
 - Do not use fixed information in OLED panel for long periods of time to extend "screen burn" effect time.
- Crystalfontz has the right to change the passive components, including R2 and R3 adjust resistors. (Resistors, capacitors and other passive components will have different appearance and color caused by the different supplier.)
- Crystalfontz have the right to change the PCB Rev. (In order to satisfy the supplying stability, management optimization and the best product performance, etc., under the premise of not affecting the electrical characteristics and external dimensions, Crystalfontz has the right to modify the version.)

13.2. Handling Precautions

- Since the display panel is made of glass, do not apply mechanical impacts such as dropping from a high position.
- If the display panel is accidentally broken, and the internal organic substance leaks out, be careful not to inhale or touch the organic substance.
- If pressure is applied to the display surface or its neighborhood of the OLED display module, the cell structure may be damaged, so be careful not to apply pressure to these sections.
- The polarizer covering the surface of the OLED display module is soft and can be easily scratched. Please be careful when handling the OLED display module.
- Clean the surface of the polarizer covering the OLED display module if it becomes soiled using following adhesion tape.
 - Scotch Mending Tape No. 810 or an equivalent
 - Never breathe the soiled surface or wipe the surface using a cloth containing solvent such as ethyl alcohol, since the surface of the polarizer will become cloudy.
 - The following liquids/solvents may spoil the polarizer:
 - Water
 - Ketone
 - Aromatic Solvents
- Hold the OLED display module very carefully when placing the OLED display module into the system housing.
- Do not apply excessive stress or pressure to the OLED display module. And, do not over bend the film with electrode pattern layouts. These stresses will influence the display performance. Also, be sure to secure the sufficient rigidity for the outer cases.





- Do not apply stress to the LSI chips and the surrounding molded sections.
- Do not disassemble or modify the OLED display module.
- Do not apply input signals while the logic power is off.
- Pay sufficient attention to the working environments when handling the OLED display module to prevent occurrence of element breakage accidents by static electricity.
 - Be sure to make human body grounding when handling OLED display modules.
 - Be sure to ground tools to use for assembly such as soldering irons.
 - To suppress generation of static electricity, avoid carrying out assembly work under dry environments.
 - Protective film is being applied to the surface of the display panel of the OLED display module. Be careful since static electricity may be generated when exfoliating the protective film.
- Protection film is being applied to the surface of the display panel and removes the protection film before assembling it. At this time, if the OLED display module has been stored for a long period of time, residue adhesive material of the protection film may remain on the surface of the display panel after the film has been removed. In such a case, remove the residue material by the method discussed above.
- If electric current is applied when the OLED display module is being dewed or when it is placed under high humidity environments, the electrodes may become corroded. If this happens proceed with caution when handling the OLED display module.

13.3. Storage Precautions

- When storing the OLED display modules put them in static electricity preventive bags to avoid exposure to direct sunlight and fluorescent lamps. Also avoid high temperature and high humidity environments and low temperatures (less than 0°C) environments. (We recommend you store these modules in the packaged state when they were shipped from Crystalfontz). Be careful not to let water drops adhere to the packages or bags, and do not let dew gather on them.
- If electric current is applied when water drops are adhering to the surface of the OLED display module the OLED display module may have become dewed. If a dewed OLED display module is placed under high humidity environments it may cause the electrodes to become corroded. If this happens proceed with caution when handling the OLED display module.

13.4. Designing Precautions

- The absolute maximum ratings are the ratings that cannot be exceeded for OLED display module. If these values are exceeded, panel damage may happen.
- To prevent occurrence of malfunctioning by noise pay attention to satisfy the V_{IL} and V_{IH} specifications and, at the same time, to make the signal line cable as short as possible.
- We recommend that you install excess current preventive unit (fuses, etc.) to the power circuit (V_{DD}). (Recommend value: 0.5A)
- Pay sufficient attention to avoid occurrence of mutual noise interference with the neighboring devices.
- As for EMI, take necessary measures on the equipment side.
- When fastening the OLED display module, fasten the external plastic housing section.
- If the power supply to the OLED display module is forcibly shut down, by such errors as taking out the main battery while the OLED display panel is in operation, we cannot guarantee the quality of this OLED display module.
 - Connection (contact) to any other potential than the above may lead to rupture of the IC.

13.5. Disposing Precautions

- Request the qualified companies to handle the industrial wastes when disposing of the OLED display modules. Or, when burning them, be sure to observe the environmental and hygienic laws and regulations.

13.6. Other Precautions

- When an OLED display module is operated for a long period of time with a fixed pattern, the fixed pattern may remain as an after image or a slight contrast deviation may occur.
 - If the operation is interrupted and left unused for a while, normal state can be restored.
 - This will not cause a problem in the reliability of the module.



- To protect the OLED display module from performance drops by static electricity rapture, etc., do not touch the following sections whenever possible while handling the OLED display modules.
 - Pins and electrodes
 - Pattern layouts such as the TCP & FPC
- With this OLED display module, the OLED driver is being exposed. Generally speaking, semiconductor elements change their characteristics when light is radiated according to the principle of the solar battery. Consequently, if this OLED driver is exposed to light, malfunctioning may occur.
 - Design the product and installation method so that the OLED driver may be shielded from light in actual usage.
 - Design the product and installation method so that the OLED driver may be shielded from light during the inspection processes.
- Although this OLED display module stores the operation state data by the commands and the indication data, when excessive external noise, etc. enters into the module, the internal status may be changed. Therefore, it is necessary to take appropriate measures to suppress noise generation or to protect from influences of noise on the system design.
- We recommend that you construct its software to make periodical refreshment of the operation statuses (re-setting of the commands and re-transference of the display data), to cope with catastrophic noise.
- Resistors, capacitors, and other passive components will have different appearance and color caused by the different supplier.
- Crystalfontz has the right to upgrade and modify the product function.
- The limitation of FPC bending:

