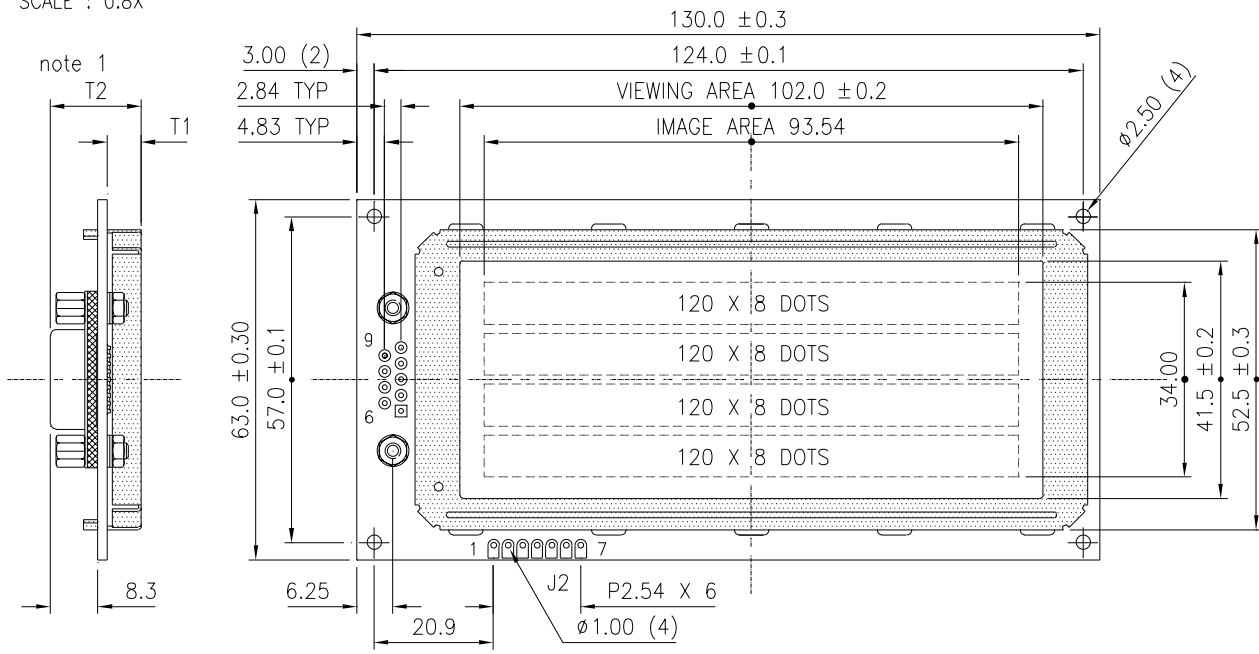
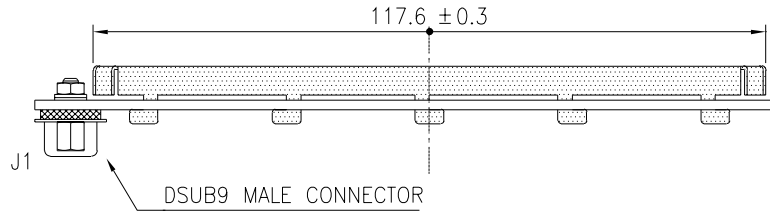


SCALE : 0.8X



NOTE 1

- T1 = 6.0 (NON-B/L)
= 10.0 (LED-B/L)
- T2 = 15.9 (NON-B/L)
= 19.9 (LED-B/L)



J1 INTERFACE

PIN NO.	FUNCTION	SIGNAL NAME FROM PC SERIAL PORT	PIN NO.	FUNCTION	SIGNAL NAME FROM PC SERIAL PORT
1	NC	DCD	6	NC	DSR
2	NC	RxD	7	SRL PWR2	RTS
3	RS232 DATA IN	TxD	8	NC	CTS
4	SRL PWR1	DTR	9	NC	RI
5	Vss	SG			

J2 INTERFACE

* to be used only if SPI is selected

PIN NO.	1	2	3	4	5*	6*	7*
FUNCTION	Vss	Vcc	LED+	DATA-IN	SPI CS	SPI CLK	SPI BUSY

**ASCII input
Direct Plug-in to COM port**

Item	Symbol	Condition	Min.		Typ.	Max.		Unit
			N	W		N	W	
Operating Temperature	Top		0	-20		50	70	°C
Storage Temperature	Tstg		-10	-30		60	80	°C
Supply for Logic (if J2 is used)	Vcc-Vss	Ta= 25°C	4.5		5.0	5.5		V
Supply Current Drain	Icc	Ta= 25°C			6.0			mA
Backlight Current Drain	I _{BL}	Ta= 25°C			525			mA
SPI CLK Frequency	f _{CLK}	Ta= 25°C				18		kHz

RS232 Baud Rates (via DIP switch settings)	1200	2400	4800	9600

FEATURE HIGHLIGHTS :

- Built-in Software Control for Contrast and Backlighting
- Smooth Horizontal Scrolling
- Gapless Bar Graphing
- Big Character Formation

