



OLED DISPLAY MODULE DATASHEET



Datasheet Release Date 2019-02-18
for
CFAL12856A0-0151-B

Crystalfontz America, Inc.

12412 East Saltese Avenue
Spokane Valley, WA 99216-0357
Phone: 888-206-9720
Fax: 509-892-1203

Email: support@crystalfontz.com
URL: <https://www.crystalfontz.com>

CONTENTS

1. General Information	3
2. Module Description	4
3. Features	4
4. Mechanical Data	4
5. Mechanical Drawing	5
6. Interface Pin Function	Error! Bookmark not defined.
7. Absolute Maximum Ratings	8
8. Electrical Characteristics	8
9. Optical Characteristics	9
10. OLED Lifetime	9
11. OLED Module Precautions.....	10
11.1. Modules	10
11.2. Handling Precautions	10
11.3. Storage Precautions	11
11.4. Designing Precautions	11
11.5. Disposing Precautions.....	11
11.6. Other Precautions.....	11

1. General Information

Datasheet Revision History

Datasheet Release: **2019-02-18**

Datasheet for the CFAL12856A0-0151-B OLED graphic display module.

Product Change Notifications

You can check for or subscribe to [Part Change Notices](#) for this display module on our website.

Variations

Slight variations between lots are normal (e.g., contrast, color, or intensity).

Volatility

This display module has volatile memory.

Disclaimer

Certain applications using Crystalfontz America, Inc. products may involve potential risks of death, personal injury, or severe property or environmental damage ("Critical Applications"). CRYSTALFONTZ AMERICA, INC. PRODUCTS ARE NOT DESIGNED, INTENDED, AUTHORIZED, OR WARRANTED TO BE SUITABLE FOR USE IN LIFE-SUPPORT APPLICATIONS, DEVICES OR SYSTEMS OR OTHER CRITICAL APPLICATIONS. Inclusion of Crystalfontz America, Inc. products in such applications is understood to be fully at the risk of the customer. In order to minimize risks associated with customer applications, adequate design and operating safeguards should be provided by the customer to minimize inherent or procedural hazard. Please contact us if you have any questions concerning potential risk applications.

Crystalfontz America, Inc. assumes no liability for applications assistance, customer product design, software performance, or infringements of patents or services described herein. Nor does Crystalfontz America, Inc. warrant or represent that any license, either express or implied, is granted under any patent right, copyright, or other intellectual property right of Crystalfontz America, Inc. covering or relating to any combination, machine, or process in which our products or services might be or are used.

All specifications in datasheets on our website are, to the best of our knowledge, accurate but not guaranteed. Corrections to specifications are made as any inaccuracies are discovered.

Company and product names mentioned in this publication are trademarks or registered trademarks of their respective owners.

Copyright © 2018 by Crystalfontz America, Inc., 12412 East Saltese Avenue, Spokane Valley, WA 99216 U.S.A.

2. Module Description

This is a blue chip-on-glass (COG) monochrome OLED graphic display module that is ultra-thin and lightweight.

When the individual pixels aren't being powered, this display is truly transparent allowing for a wide range of uses which require a display to overlap a background object.

This display has a built-in Solomon Systech SSD1309 controller. Please see [Solomon Systech SSD1309 LCD Datasheet](#) for further reference.

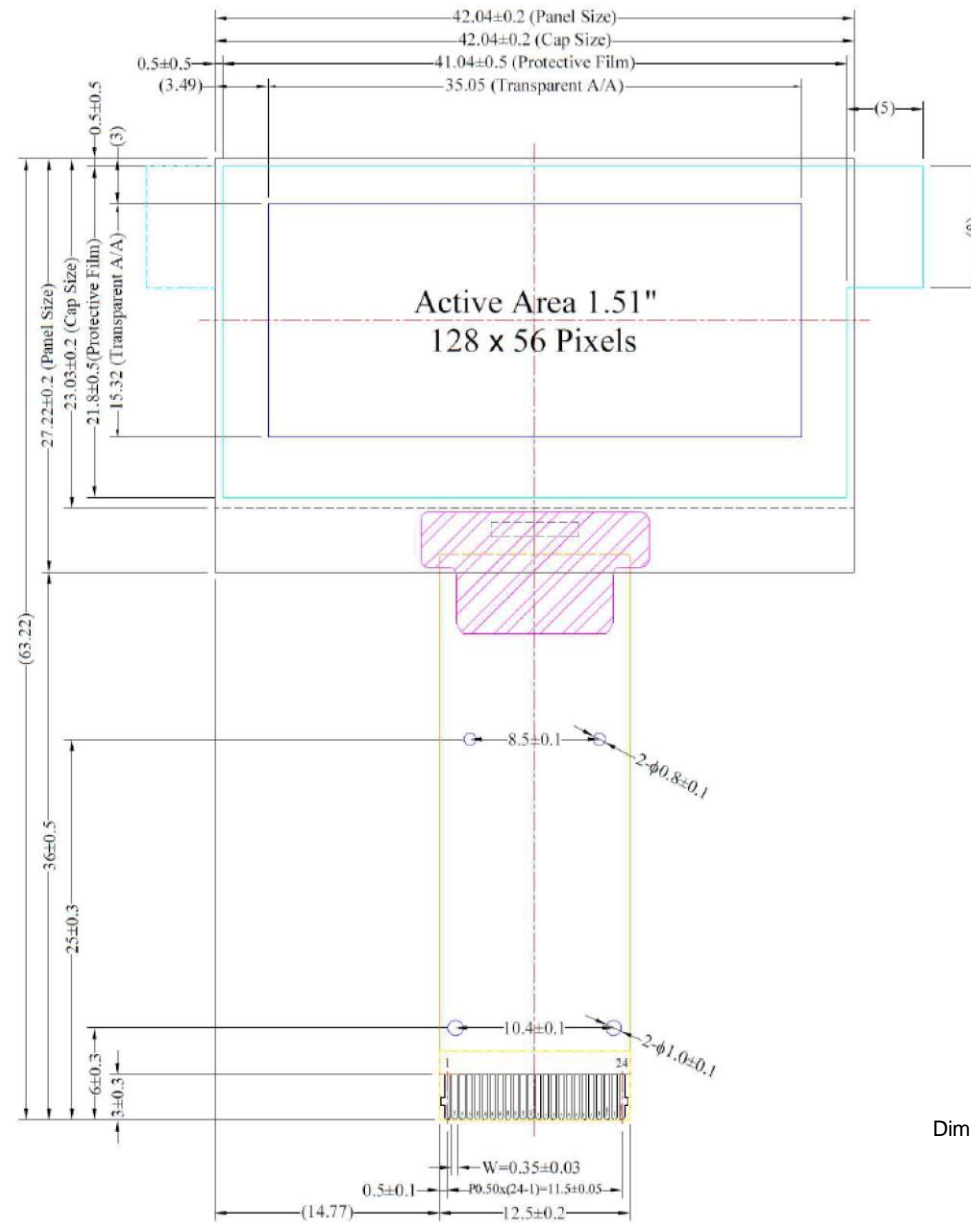
3. Features

- 128*56 Dot Matrix
- Built-in Controller: SSD1309 (or equivalent)
- +2.8V Logic Supply and +12.5V Power Supply
- Polarized
- 1/56 Duty
- Interface: 8-bit Parallel, SPI, I2C

4. Mechanical Data

Item	Specification (mm)	Specification (inch, reference)
Overall Width and Height	42.04 (W) x 27.22 (H) x 1.25 (D)	1.655 (W) x 1.072 (H) x 0.049 (D)
Active Area	35.05 (W) x 15.32 (H)	1.380 (W) x 0.603 (H)
Pixel Size	0.254 (W) x 0.254 (H)	0.010 (W) x 0.010 (H)
Pixel Pitch	0.274 (W) x 0.274 (H)	0.011 (W) x 0.011 (H)
Weight (Typical)	3.0 grams	0.11 ounces

5. Mechanical Drawing

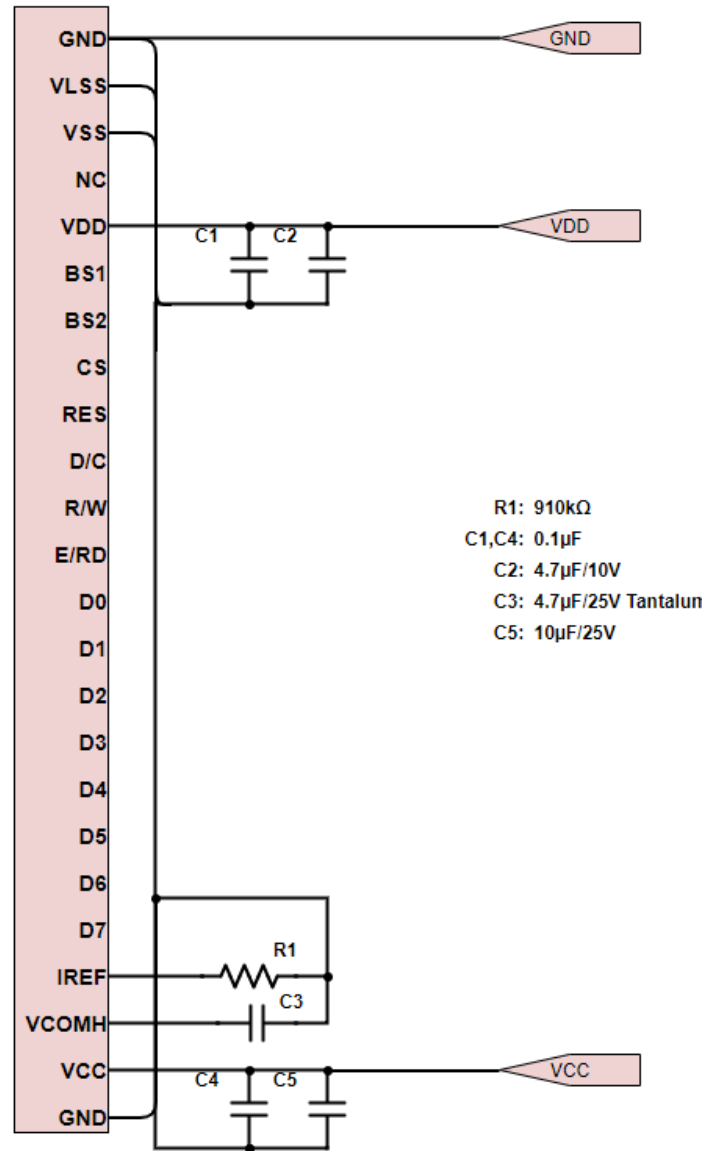


Dimensions in mm



6. Schematic

This section shows how passive elements should be connected between certain pins. The components required are also called out in the [pin table](#).





7. Interface Pin Function

PIN No.	Symbol	Function															
1	GND	Supporting pin to reduce stresses from ESD															
2	VLSS	Ground of Analog Circuit This is an analog ground pin. It should be connected to VSS externally.															
3	VSS	Ground of Logic Circuit This is a ground pin. It also acts as a reference for the logic pins. It must be connected to an external ground.															
4	NC	Reserved Pin The NC pins between function pins are reserved for compatible and flexible design.															
5	VDD	Power Supply for Logic Circuit This is a voltage supply pin. It must be connected to an external source. A 0.1 μ F and a 4.7 μ F/10V Capacitor should be placed between VDD and VSS															
6	BS1	Communicating Protocol Select These pins are MCU Interface Selection Input. <table border="1" style="margin-left: 20px;"> <thead> <tr> <th></th> <th>68XX Parallel</th> <th>80XX Parallel</th> <th>Serial</th> <th>I²C</th> </tr> </thead> <tbody> <tr> <td>BS1</td> <td>0</td> <td>1</td> <td>0</td> <td>1</td> </tr> <tr> <td>BS2</td> <td>1</td> <td>1</td> <td>0</td> <td>0</td> </tr> </tbody> </table>		68XX Parallel	80XX Parallel	Serial	I ² C	BS1	0	1	0	1	BS2	1	1	0	0
	68XX Parallel		80XX Parallel	Serial	I ² C												
BS1	0		1	0	1												
BS2	1	1	0	0													
7	BS2																
8	CS#	This pin is the Chip Select Input. This chip is enabled for MCU communication only when CS# is pulled low.															
9	RES#	Power Reset for Controller and Driver This pin is the Reset Signal Input. When the pin is low, initialization of the chip is executed.															
10	D/C#	Data/Command Control This pin is the Data/Command Control Pin. When the pin is pulled high, the input at D7~D0 is treated as display data. When the pin is pulled low, the input at D7~D0 will be transferred to the command register. When the pin is pulled high and serial interface mode is selected, the data at SDIN is treated as data. When it is pulled low, the data at SDIN will be transferred to the command register. In I ² C mode, this pin acts as SA0 for slave address selection.															
11	R/W#	Read/Write Select or Write This pin is the MCU Interface Input. When interfacing to a 68XX-series microprocessor, this pin will be used as Read/Write (R/W#) selection input. Pull this pin to "High" for read mode and pull it to "Low" for write mode. When 80XX interface mode is selected, this pin will be the Write (WR#) input. Data write operation is initiated when this pin is pulled low and the CS# is pulled low.															
12	E/RD#	Read/Write Enable or Read This pin is the MCU Interface Input. When interfacing to a 68XX-series microprocessor, this pin will be used as the Enable (E) signal. Read/write operation is initiated when this pin is pulled high and the CS# is pulled low. When connecting to an 80XX-microprocessor, this pin receives the Read (RD#) signal. Data read operation is initiated when this pin is pulled low and CS# is pulled low.															
13~20	D0~D7	Host Data Input/Output Bus These pins are 8-bit bi-directional data bus to be connected to the microprocessor's data bus. When serial mode is selected, D1 will be the serial data input SDIN and D0 will be the serial clock input SCLK. When I ² C mode is selected, D2 & D1 should be tied together and serve as SDA _{OUT} & SDA _{IN} in application and D0 is the serial clock input SCL.															
21	IREF	Current Reference for Brightness Adjustment This pin is the Segment Current Reference Pin. A resistor should															



PIN No.	Symbol	Function
		be connected between this pin and V _{SS} . Set the current lower than 10μA. ~910kΩ
22	V _{COMH}	Voltage Output High Level for COM Signal This pin is the Input Pin for the Voltage Output High Level for COM signals. A 4.7μF/25V Tantalum Capacitor should be connected between V _{COMH} and V _{SS} .
23	V _{CC}	Power Supply for OEL Panel This is the most positive Voltage Supply Pin of the chip. It must be supplied externally. A 0.1μF and a 10μF Capacitor should be placed between V _{CC} and V _{SS}
24	GND	Supporting pin to reduce stresses from ESD

8. Absolute Maximum Ratings

Parameter	Symbol	Min	Max	Unit	Notes
Supply Voltage for Logic	V _{DD}	-0.3	4	V	(1)(2)(3)
Supply Voltage for Display	V _{CC}	0	15	V	(1)(2)(3)
Operating Temperature	T _{OP}	-40	+70	°C	-
Storage Temperature	T _{STG}	-40	+80	°C	-

Notes:

- (1) These are stress ratings only. Extended exposure to the absolute maximum ratings listed above may affect device reliability or cause permanent damage.
- (2) Functional operation should be restricted to the limits in the Electrical Characteristics table below.
- (3) This device may be light sensitive. Caution should be taken to avoid exposure of this device to any light source during normal operation.

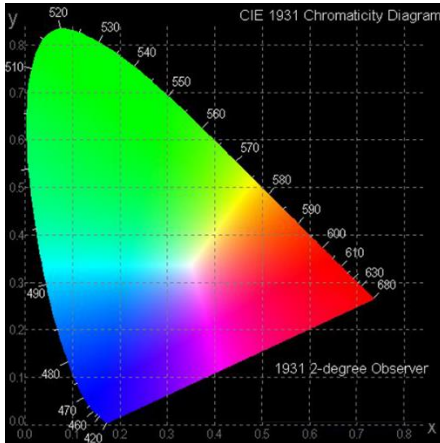
9. Electrical Characteristics

Item	Symbol	Condition	Min	Typ	Max	Unit
Supply Voltage for Logic	V _{DD}	-	1.65	2.8	3.3	V
Supply Voltage for Display	V _{CC}	-	12.0	12.5	13.0	V
High-level Input	V _{IH}	-	0.8 x V _{DD}	-	V _{DD}	V
Low-level Input	V _{IL}	-	0	-	0.2 x V _{DD}	V
High-level Output	V _{OH}	-	0.9 x V _{DD}	-	V _{DD}	V
Low-level Output	V _{OL}	-	0	-	0.1 x V _{DD}	V
50% Check Board Operating Current	I _{DD}	V _{CC} = 12.0V	-	15.2	19.0	mA



10. Optical Characteristics

Item	Symbol	Condition	Min	Typ	Max	Unit
View Angle	(V) θ		180			deg
	(H) ϕ		180			deg
Contrast Ratio	CR	Dark	5000:1	10000:1	-	-
Display Brightness			100	120		cd/m ²
CIE _x (Blue)	(CIE1931)		0.12	0.16	0.20	-
CIE _y (Blue)	(CIE1931)		0.22	0.26	0.30	-



11. OLED Lifetime

Item	Conditions	Min	Typ	Notes
Operating Lifetime (120 cd/m ²)	T _a =25°C Initial 50% check board brightness Typical Value	5,000 Hrs.	-	(1)(2)(3)
Operating Lifetime (80 cd/m ²)	T _a =25°C Initial 50% check board brightness Typical Value	12,000 Hrs.	-	(1)(2)(3)
Operating Lifetime (60 cd/m ²)	T _a =25°C Initial 50% check board brightness Typical Value	15,000 Hrs.	-	(1)(2)(3)

Notes:

- (1) Lifetime is defined as the amount of time when the luminance has decayed to <50% of the initial value.
- (2) This analysis method uses life data obtained under accelerated conditions to extrapolate an estimated Probability Density Function (PDF) for the product under normal use conditions.
- (3) Screen saving mode will extend OLED lifetime.



12. OLED Module Precautions

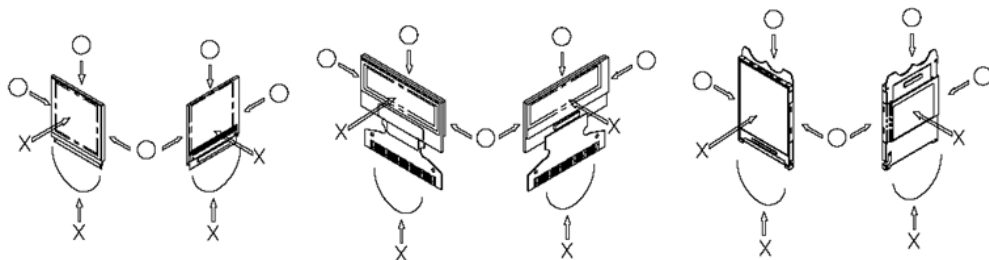
The precautions below should be followed when using OLED modules to help ensure personal safety, module performance, and compliance of environmental regulations.

12.1. Modules

- Avoid applying excessive shocks to module or making any alterations or modifications to it.
- Do not make extra holes on the printed circuit board, modify its shape or change the components of OLED display module.
- Do not disassemble the OLED display module.
- Do not operate the OLED display module above the absolute maximum rating.
- Do not drop, bend or twist the OLED display module.
- Soldering: only to the I/O terminals.
- Store in an anti-static electricity container and clean environment.
- It is common to use the "screen saver" to extend the lifetime of the OLED display module.
 - Do not use the fixed information for long periods of time in real application.
 - Do not use fixed information in OLED panel for long periods of time to extend "screen burn" effect time.
- Crystalfontz has the right to change the passive components, including R2 and R3 adjust resistors. (Resistors, capacitors and other passive components will have different appearance and color caused by the different supplier.)
- Crystalfontz have the right to change the PCB Rev. (In order to satisfy the supplying stability, management optimization and the best product performance, etc., under the premise of not affecting the electrical characteristics and external dimensions, Crystalfontz has the right to modify the version.)

12.2. Handling Precautions

- Since the display panel is made of glass, do not apply mechanical impacts such as dropping from a high position.
- If the display panel is accidentally broken, and the internal organic substance leaks out, be careful not to inhale or touch the organic substance.
- If pressure is applied to the display surface or its neighborhood of the OLED display module, the cell structure may be damaged, so be careful not to apply pressure to these sections.
- The polarizer covering the surface of the OLED display module is soft and can be easily scratched. Please be careful when handling the OLED display module.
- Clean the surface of the polarizer covering the OLED display module if it becomes soiled using following adhesion tape.
 - Scotch Mending Tape No. 810 or an equivalent
 - Never breathe the soiled surface or wipe the surface using a cloth containing solvent such as ethyl alcohol, since the surface of the polarizer will become cloudy.
 - The following liquids/solvents may spoil the polarizer:
 - Water
 - Ketone
 - Aromatic Solvents
- Hold the OLED display module very carefully when placing the OLED display module into the system housing.
- Do not apply excessive stress or pressure to the OLED display module. And, do not over bend the film with electrode pattern layouts. These stresses will influence the display performance. Also, be sure to secure the sufficient rigidity for the outer cases.





- Do not apply stress to the LSI chips and the surrounding molded sections.
- Do not disassemble or modify the OLED display module.
- Do not apply input signals while the logic power is off.
- Pay sufficient attention to the working environments when handling the OLED display module to prevent occurrence of element breakage accidents by static electricity.
 - Be sure to make human body grounding when handling OLED display modules.
 - Be sure to ground tools to use for assembly such as soldering irons.
 - To suppress generation of static electricity, avoid carrying out assembly work under dry environments.
 - Protective film is being applied to the surface of the display panel of the OLED display module. Be careful since static electricity may be generated when exfoliating the protective film.
- Protection film is being applied to the surface of the display panel and removes the protection film before assembling it. At this time, if the OLED display module has been stored for a long period of time, residue adhesive material of the protection film may remain on the surface of the display panel after the film has been removed. In such a case, remove the residue material by the method discussed above.
- If electric current is applied when the OLED display module is being dewed or when it is placed under high humidity environments, the electrodes may become corroded. If this happens proceed with caution when handling the OLED display module.

12.3. Storage Precautions

- When storing the OLED display modules put them in static electricity preventive bags to avoid exposure to direct sunlight and fluorescent lamps. Also avoid high temperature and high humidity environments and low temperatures (less than 0°C) environments. (We recommend you store these modules in the packaged state when they were shipped from Crystalfontz). Be careful not to let water drops adhere to the packages or bags, and do not let dew gather on them.
- If electric current is applied when water drops are adhering to the surface of the OLED display module the OLED display module may have become dewed. If a dewed OLED display module is placed under high humidity environments it may cause the electrodes to become corroded. If this happens proceed with caution when handling the OLED display module.

12.4. Designing Precautions

- The absolute maximum ratings are the ratings that cannot be exceeded for OLED display module. If these values are exceeded, panel damage may happen.
- To prevent occurrence of malfunctioning by noise pay attention to satisfy the V_{IL} and V_{IH} specifications and, at the same time, to make the signal line cable as short as possible.
- We recommend that you install excess current preventive unit (fuses, etc.) to the power circuit (V_{DD}). (Recommend value: 0.5A)
- Pay sufficient attention to avoid occurrence of mutual noise interference with the neighboring devices.
- As for EMI, take necessary measures on the equipment side.
- When fastening the OLED display module, fasten the external plastic housing section.
- If the power supply to the OLED display module is forcibly shut down, by such errors as taking out the main battery while the OLED display panel is in operation, we cannot guarantee the quality of this OLED display module.
 - Connection (contact) to any other potential than the above may lead to rupture of the IC.

12.5. Disposing Precautions

- Request the qualified companies to handle the industrial wastes when disposing of the OLED display modules. Or, when burning them, be sure to observe the environmental and hygienic laws and regulations.

12.6. Other Precautions

- When an OLED display module is operated for a long period of time with a fixed pattern, the fixed pattern may remain as an after image or a slight contrast deviation may occur.
 - If the operation is interrupted and left unused for a while, normal state can be restored.



- This will not cause a problem in the reliability of the module.
- To protect the OLED display module from performance drops by static electricity rapture, etc., do not touch the following sections whenever possible while handling the OLED display modules.
 - Pins and electrodes
 - Pattern layouts such as the TCP & FPC
- With this OLED display module, the OLED driver is being exposed. Generally speaking, semiconductor elements change their characteristics when light is radiated according to the principle of the solar battery. Consequently, if this OLED driver is exposed to light, malfunctioning may occur.
 - Design the product and installation method so that the OLED driver may be shielded from light in actual usage.
 - Design the product and installation method so that the OLED driver may be shielded from light during the inspection processes.
- Although this OLED display module stores the operation state data by the commands and the indication data, when excessive external noise, etc. enters into the module, the internal status may be changed. Therefore, it is necessary to take appropriate measures to suppress noise generation or to protect from influences of noise on the system design.
- We recommend that you construct its software to make periodical refreshment of the operation statuses (re-setting of the commands and re-transference of the display data), to cope with catastrophic noise.
- Resistors, capacitors, and other passive components will have different appearance and color caused by the different supplier.
- Crystalfontz has the right to upgrade and modify the product function.
- The limitation of FPC bending:

