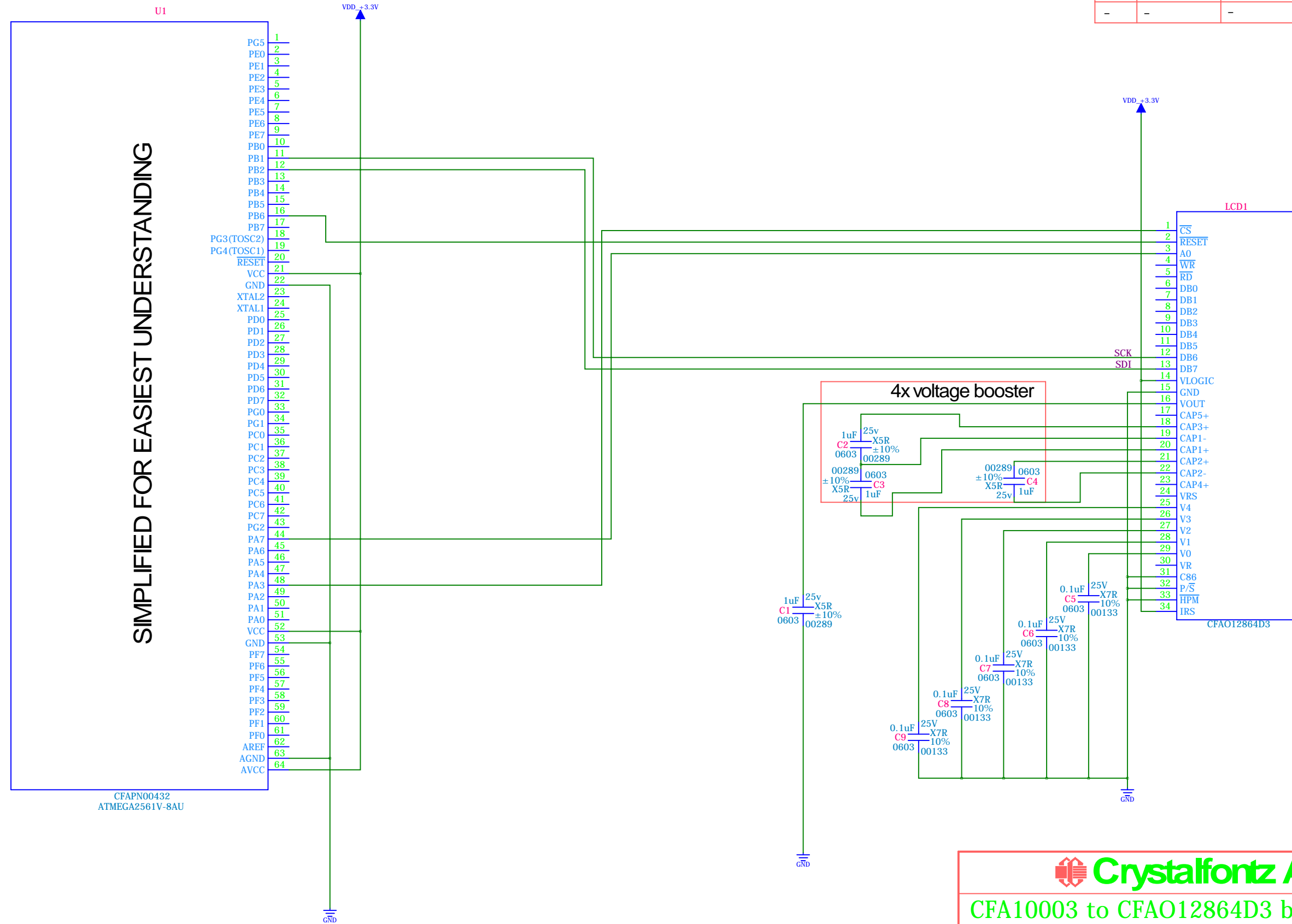


| REV | ENGINEER | DATE | REMARKS |
|-----|----------|------------|------------------|
| 0.0 | BGL | 2015-07-10 | Initial Creation |
| - | - | - | - |
| - | - | - | - |
| - | - | - | - |
| - | - | - | - |



 **CrystalFontz America, Inc.**

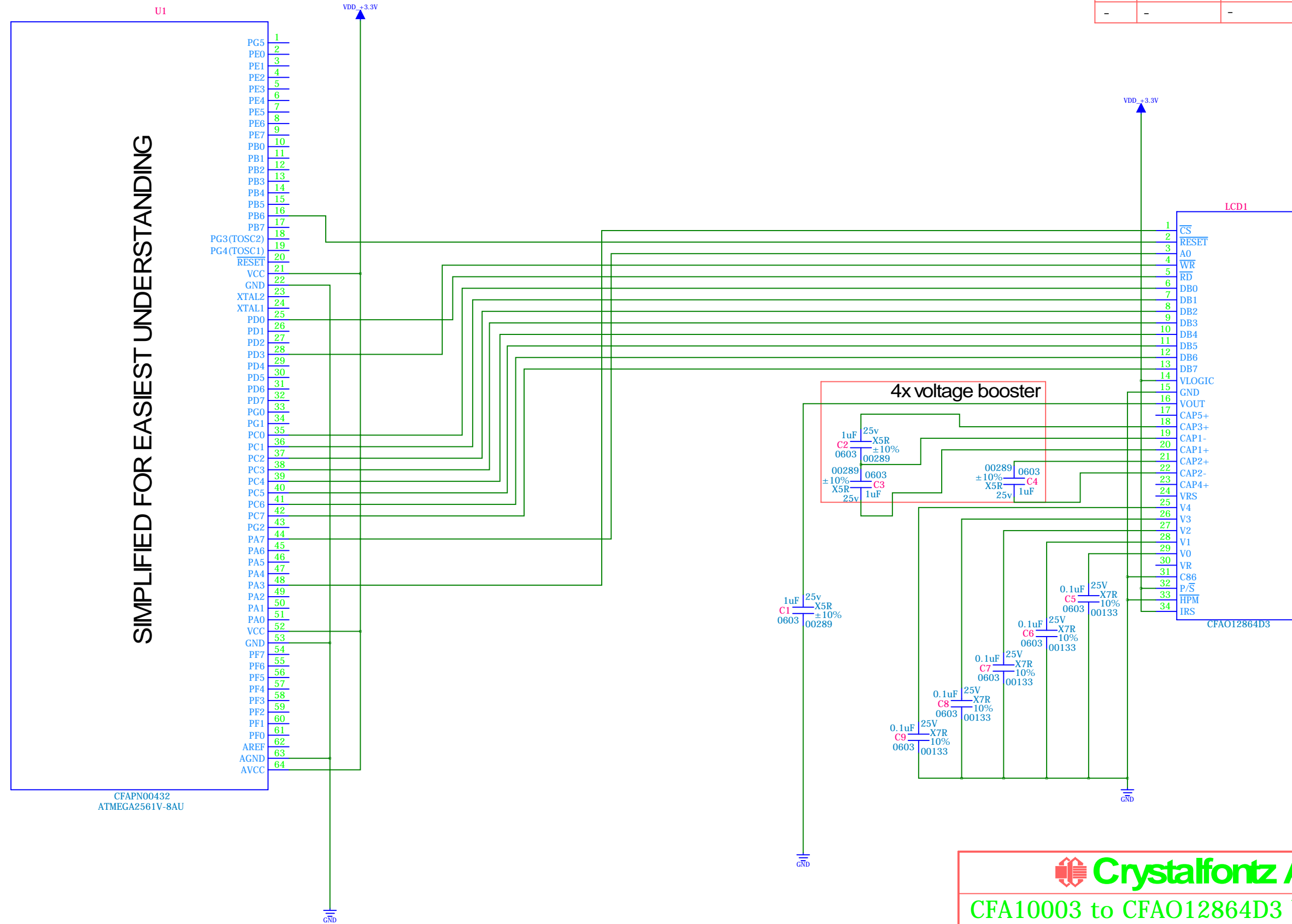
CFA10003 to CFAO12864D3 bring-up connections

Page 1/1 :CFAO12864D3: 3-wire SPI

FILE NAME:
CFA10003_to_CFAO12864D3_SPI

REVISION:
0.0

| REV | ENGINEER | DATE | REMARKS |
|-----|----------|------------|------------------|
| 0.0 | BGL | 2015-07-09 | Initial Creation |
| - | - | - | - |
| - | - | - | - |
| - | - | - | - |
| - | - | - | - |



SIMPLIFIED FOR EASIEST UNDERSTANDING

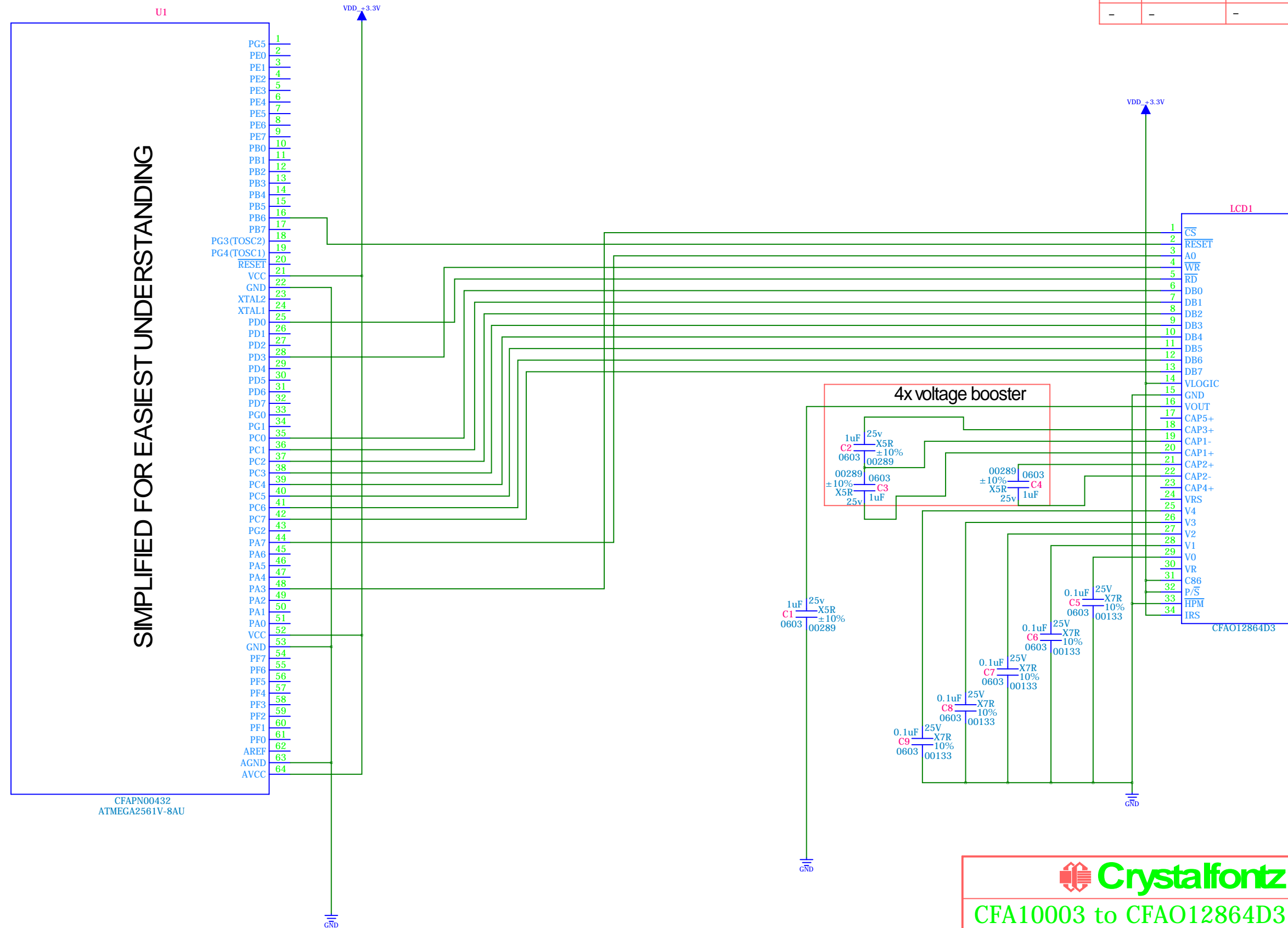
 **CrystalFontz America, Inc.**

CFA10003 to CFAO12864D3 bring-up connections

Page 1/1 :CFAO12864D3: 8080 parallel

FILE NAME: **CFA10003_to_CFAO12864D3_8080** REVISION: **0.0**

| REV | ENGINEER | DATE | REMARKS |
|-----|----------|------------|------------------|
| 0.0 | BGL | 2015-07-10 | Initial Creation |
| - | - | - | - |
| - | - | - | - |
| - | - | - | - |
| - | - | - | - |



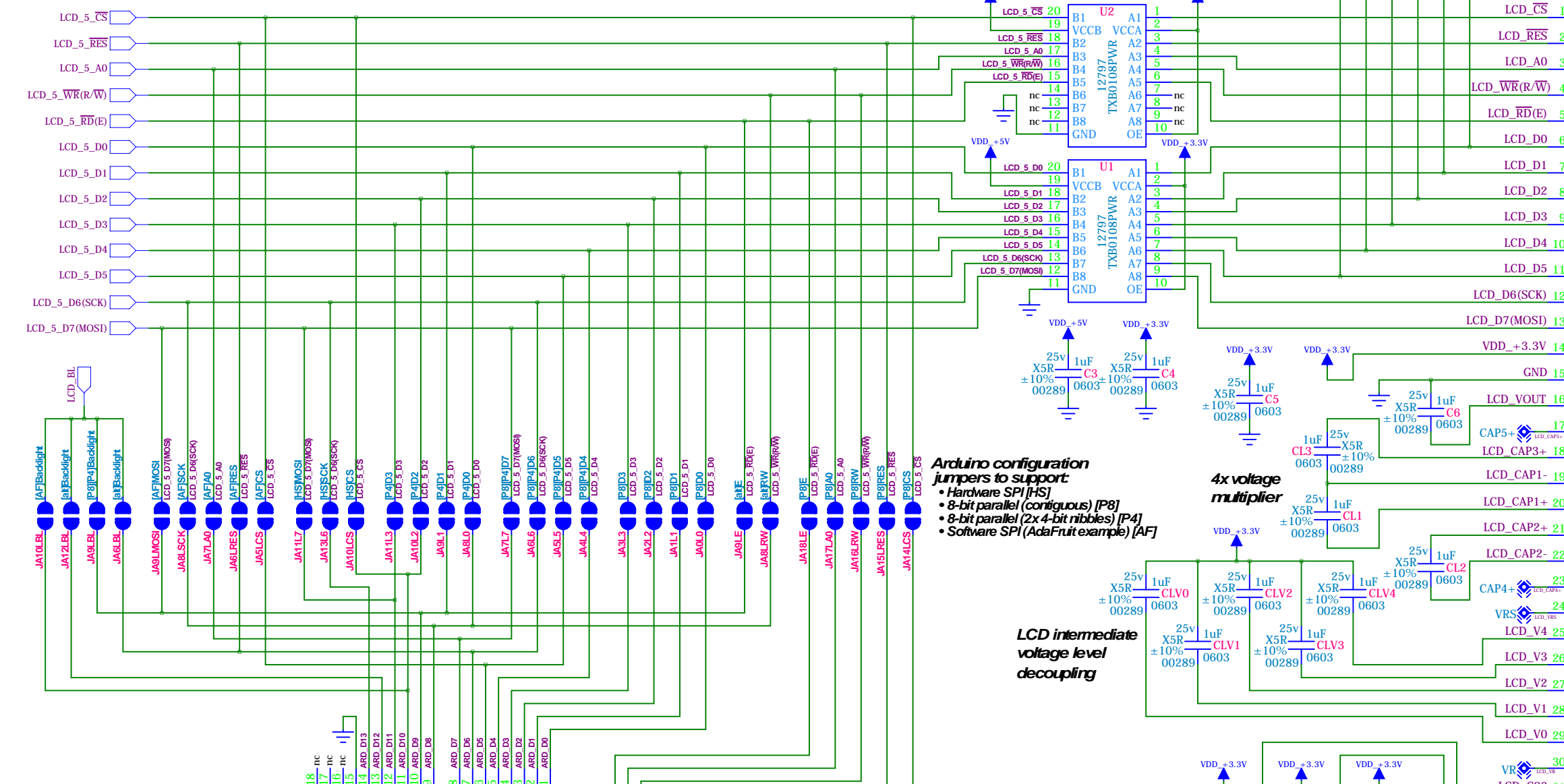
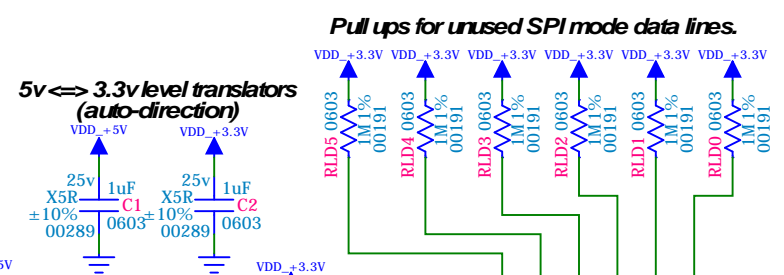
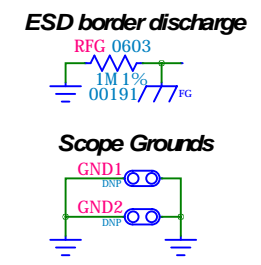
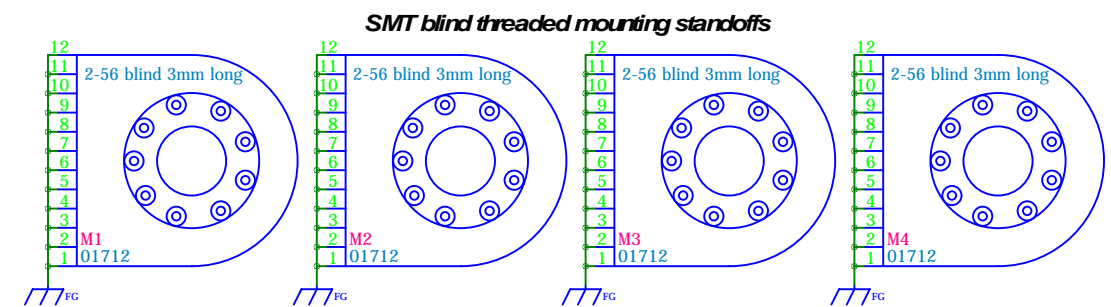
Crystalfontz America, Inc.

CFA10003 to CFAO12864D3 bring-up connections

Page 1/1 :CFAO12864D3: 6800 parallel

FILE NAME: CFA10003_to_CFAO12864D3_6800 REVISION: 0.0

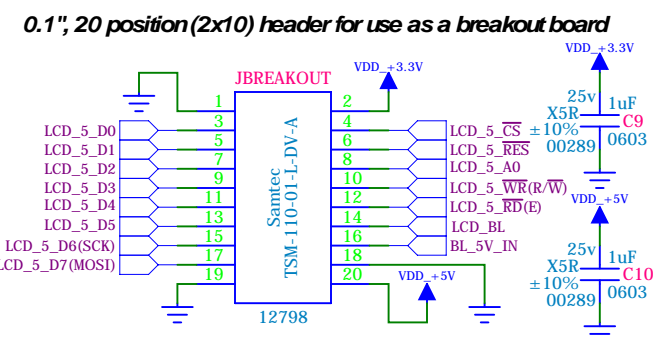
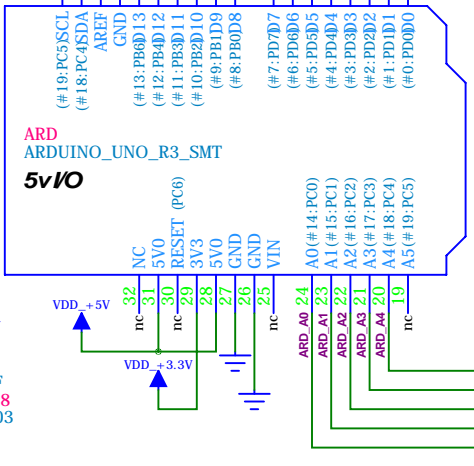
| REV | ENGINEER | DATE | REMARKS |
|-----|----------|------------|--------------------------------------|
| 0.0 | BAC | 2015-08-31 | Initial Creation |
| 0.1 | BAC | 2015-08-24 | Mnt Standoffs, +1 BL Jumper, HPM pol |
| - | - | - | - |
| - | - | - | - |
| - | - | - | - |



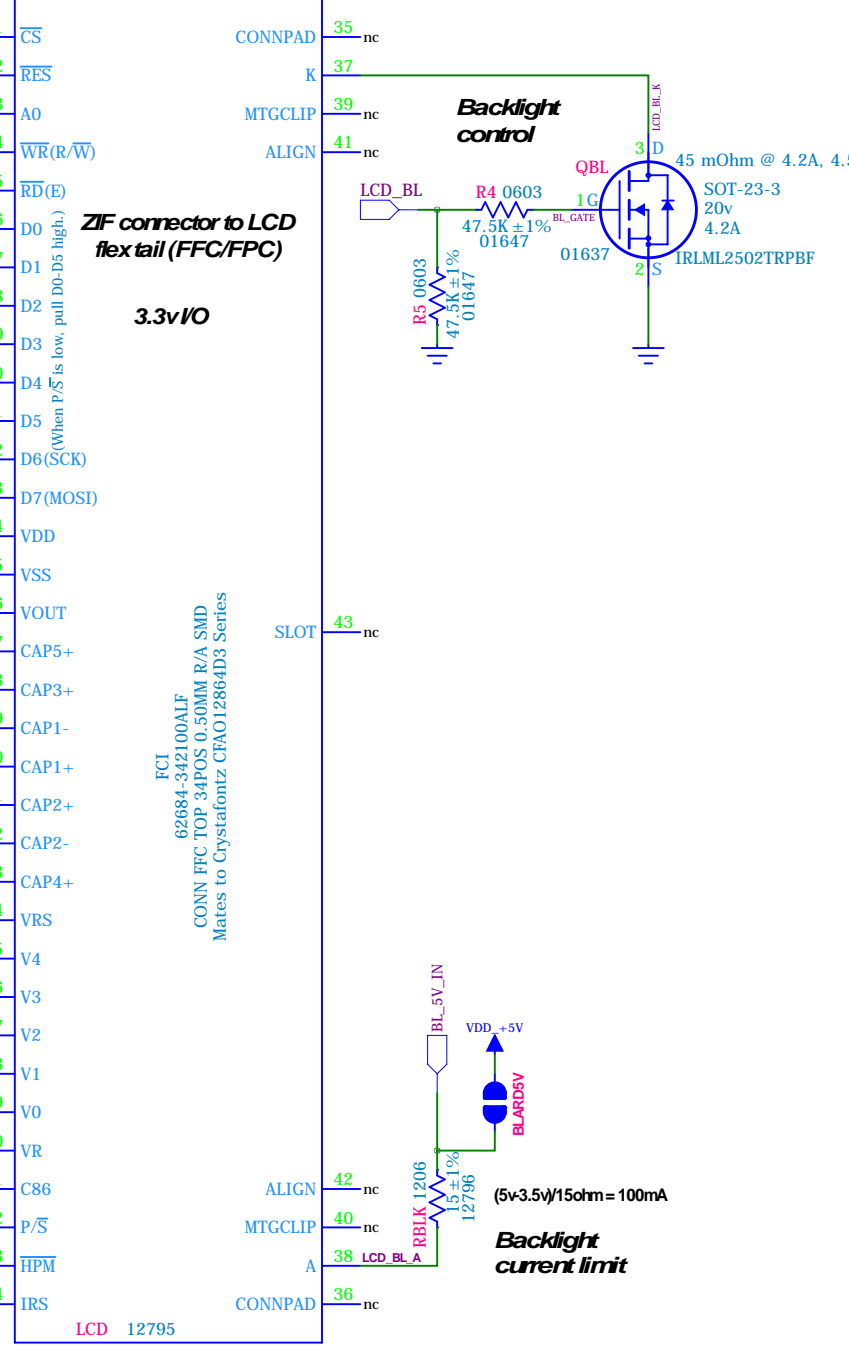
- Arduino configuration jumpers to support:**
- Hardware SPI [HS]
 - 8-bit parallel (contiguous) [P8]
 - 8-bit parallel (2x 4-bit nibbles) [P4]
 - Software SPI (AdaFruit example) [AF]



Single-row 0.1" headers positioned to allow use as an Arduino 128x64 LCD graphic display shield



When not used as an Arduino shield, this board's I/O is not restricted to 5v. Refer to TXB0108PWR data sheet.



Crystalfontz America, Inc.

CFA-10072: CFA012864D3 Breakout / Demo Shield

Page 1 / 1 : Schematic

FILE NAME: CFA_10072_Schematic_0v1.pdf

REVISION: 0.1