

Dimension	Formula
x	pins*pitch=pins*0.3
A	x + 1.6
B	x + 0.33
C	x - 0.3
D	x - 0.9
E	x + 1.03
F	x + 0.3

Units: millimeters  
Tolerance: ±0.1



**Crystalfontz**  
© 2020 Crystalfontz America, Inc.

Part Number:

CS030ZxxG-A0 (xx is number of pins)

Date:

2020-02-20

Filename:

CS030ZxxG-A0 mm.pdf

Revision:

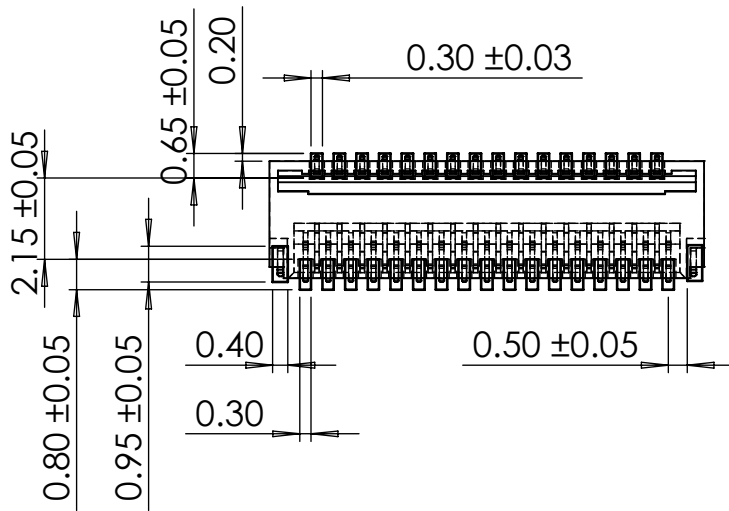
v1.0

Web:

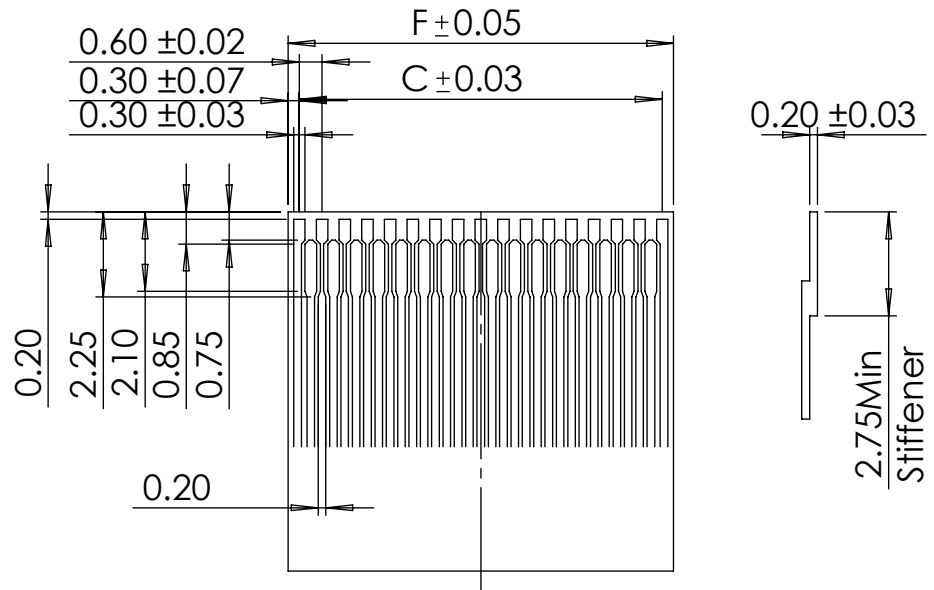
www.crystalfontz.com

Sheet:

1 of 2



Recommended PCB layout



Recommended FFC

Part Number Decoder:

- C: Crystalfontz connector
- S: Surface mount
- 030: 0.30 mm pitch
- Z: Top and Bottom Connection
- xx: Number of pins
- G: Gold contacts
- A0: Family and version number

0.3mm pitch, staggered

Gold plating

Contacts: top and bottom

Performance:

Current rating: 0.2A/pin

Voltage rating: 30V (AC/DC)

Contact resistance: 100mOhm

Durability: 20 times, min

Operating temperature: -40°C - +85°C

Note: Do not close connector when empty.  
Doing so may affect the performance of the connector.

Units: millimeters

Tolerance: ±0.1



Crystalfontz

© 2020 Crystalfontz America, Inc.

Part Number:

CS030ZxxG-A0 (xx is number of pins)

Date:

2020-02-20

Filename:

CS030ZxxG-A0 mm.pdf

Revision:

v 1.0

Web:

www.crystalfontz.com

Sheet:

2 of 2