



TFT GRAPHIC DISPLAY MODULE DATASHEET



Datasheet Release Date 2021-04-15
for
CFAF240320A0-024SC

Revision 1v4

Crystalfontz America, Inc.

12412 East Saltese Avenue
Spokane Valley, WA 99216-0357
Phone: 888-206-9720
Fax: 509-892-1203
Email: support@crystalfontz.com
URL: www.crystalfontz.com



CONTENTS

1. General Information	3
2. Module Description	4
3. Features	4
4. Mechanical Data	4
5. Mechanical Drawing.....	5
6. Interface Pin Function	6
7. System Block Diagram.....	7
8. Absolute Maximum Ratings	7
9. Electrical Characteristics.....	8
10. Optical Characteristics	8
11. LED Backlight Characteristics	8
12. LCD Module Precautions	10
12.1. Modules.....	10
12.2. Handling Precautions	10
12.3. Storage Precautions.....	11
12.4. Designing Precautions.....	11
12.5. Disposing Precautions.....	11
12.6. Other Precautions	11



1. General Information

Datasheet Revision History

Datasheet Release: **2021-04-15**
Datasheet for the CFAF240320A0-024SC TFT graphic display module.

Product Change Notifications

You can check for or subscribe to [Part Change Notices](#) for this display module on our website.

Variations

Slight variations between lots are normal (e.g., contrast, color, or intensity).

Volatility

This display module has volatile memory.

Disclaimer

Certain applications using Crystalfontz America, Inc. products may involve potential risks of death, personal injury, or severe property or environmental damage ("Critical Applications"). CRYSTALFONTZ AMERICA, INC. PRODUCTS ARE NOT DESIGNED, INTENDED, AUTHORIZED, OR WARRANTED TO BE SUITABLE FOR USE IN LIFE-SUPPORT APPLICATIONS, DEVICES OR SYSTEMS OR OTHER CRITICAL APPLICATIONS. Inclusion of Crystalfontz America, Inc. products in such applications is understood to be fully at the risk of the customer. In order to minimize risks associated with customer applications, adequate design and operating safeguards should be provided by the customer to minimize inherent or procedural hazard. Please contact us if you have any questions concerning potential risk applications.

Crystalfontz America, Inc. assumes no liability for applications assistance, customer product design, software performance, or infringements of patents or services described herein. Nor does Crystalfontz America, Inc. warrant or represent that any license, either express or implied, is granted under any patent right, copyright, or other intellectual property right of Crystalfontz America, Inc. covering or relating to any combination, machine, or process in which our products or services might be or are used.

All specifications in datasheets on our website are, to the best of our knowledge, accurate but not guaranteed. Corrections to specifications are made as any inaccuracies are discovered.

Company and product names mentioned in this publication are trademarks or registered trademarks of their respective owners.

Copyright © 2021 by Crystalfontz America, Inc., 12412 East Saltese Avenue, Spokane Valley, WA 99216 U.S.A.



2. Module Description

This is a full color TFT graphic display module with a white LED backlight. This display includes capacitive touch glass. This display has a built-in Sitronix ST7789V controller. Please see the [Sitronix ST7789V datasheet](#) for further reference. The capacitive touch controller is the ST1624 controller (or equivalent). Please see the [ST1624 datasheet](#) for further reference.

An accelerated version of this display is available with an FTDI/Bridgetek Embedded Video Engine (EVE). Part number: [CFAF240320A0-024SC-A1-1](#)

[Demo code for this display is available on Github](#). Additional resources can be found on [the product page](#).

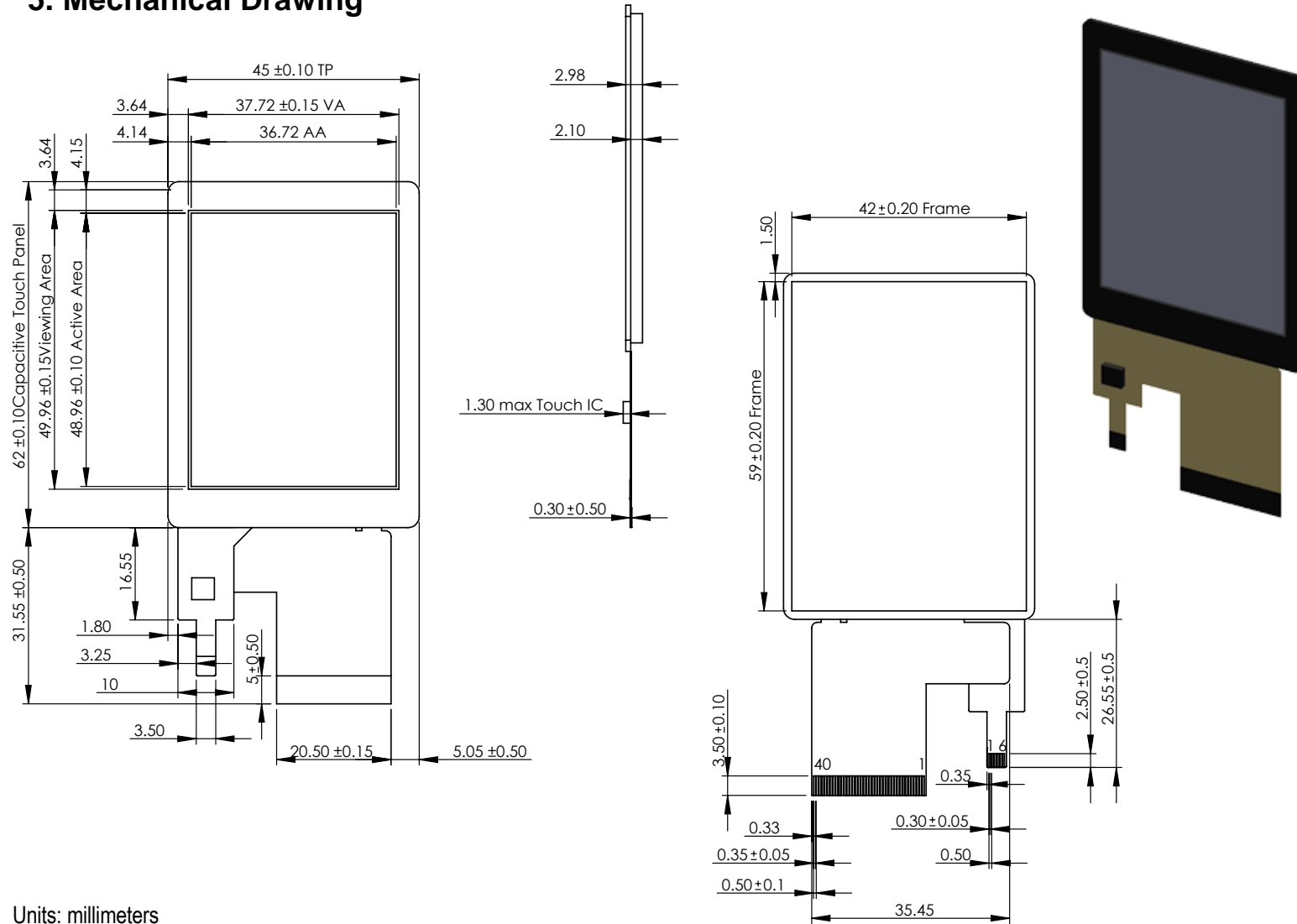
3. Features

- 240*320 Dot Matrix
- Viewing Direction: All
- Built-in Controller: Sitronix ST7789V (or equivalent)
- Built-in Touch Controller: ST1624 (or equivalent)
- Operating Temperature: -20 - 70°C
- Storage Temperature: -30 - 80°C
- +3v Logic Power Supply
- 40mA, +9v Backlight Power Supply
- Interface: 8/9/16/18 bit parallel, RGB, 3- or 4-Wire SPI
- Touch panel interface: I2C (default address 0x55)

4. Mechanical Data

Item	Specification (mm)	Specification (inch, reference)
Overall Width and Height	45.0 (W) x 62.0 (H) x 2.975 (D)	1.772 (W) x 2.441 (H) x 0.117 (D)
Active Area	36.72 (W) x 48.96 (H)	1.446 (W) x 1.928 (H)
Dot Pitch	0.153 (W) x 0.153 (H)	0.006 (W) x 0.006 (H)
Weight (Typical)	16.4 grams	0.578 ounces

5. Mechanical Drawing



Units: millimeters
Tolerance: ± 0.3



6. Interface Pin Function

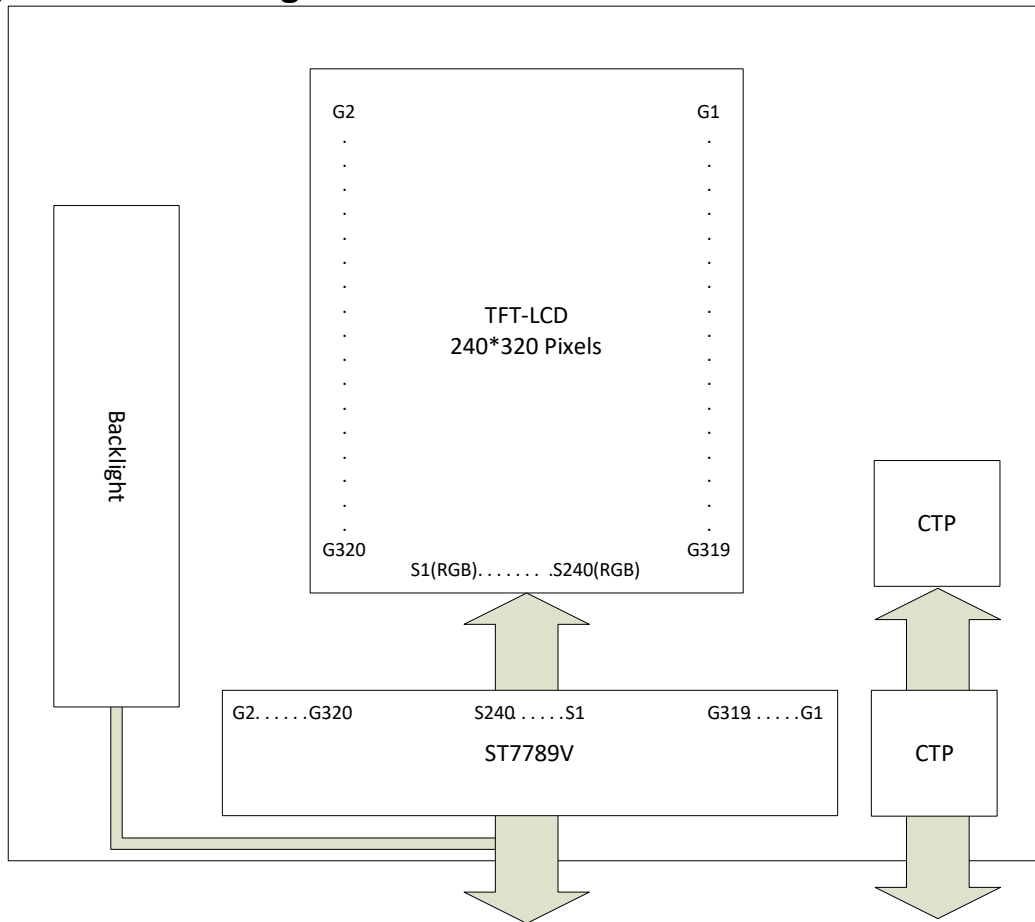
Pin No.	Symbol	SPI Interface	8080 Parallel Interface																								
1	LED_A	LED backlight power anode	LED backlight power anode																								
2	LED_K	LED backlight power cathode	LED backlight power cathode																								
3	V _{cc}	Digital power supply	Digital power supply																								
4	SDO	Serial data output signal, data is output on falling edge of SCL	No Connection																								
5	TE	Tearing effect output pin, no connection if not used	Tearing effect output pin, no connection if not used																								
6-23	DB17-0	Fix low	<table border="1"> <thead> <tr> <th>16-bit</th> <th>8-bit</th> <th>18-bit</th> <th>9-bit</th> </tr> </thead> <tbody> <tr> <td>DB[17:10] DB[8:1]</td> <td>DB[17:10]</td> <td>DB[17:0]</td> <td>DB[17:9]</td> </tr> </tbody> </table>	16-bit	8-bit	18-bit	9-bit	DB[17:10] DB[8:1]	DB[17:10]	DB[17:0]	DB[17:9]																
			16-bit	8-bit	18-bit	9-bit																					
DB[17:10] DB[8:1]	DB[17:10]	DB[17:0]	DB[17:9]																								
Note: Data bus Pin 6 is DB17 through to Pin 23 being DB0																											
24	SDA	Serial data input signal. Data is latched on falling edge of SCL	No Connection																								
25	GND	Ground	Ground																								
26	DOTCLK	Dot clock signal for RGB interface, fix low	Dot clock signal for RGB interface, fix low																								
27	GND	Ground	Ground																								
28	ENABLE	Data enable for RGB interface	Data enable for RGB interface																								
29	VSYNC	Vertical synchronizing input for RGB interface, fix low if not used	Vertical synchronizing input for RGB interface, fix low if not used																								
30	HSYNC	Horizontal synchronizing input for RGB interface, fix low if not used	Horizontal synchronizing input for RGB interface, fix low if not used																								
31	RD	Fix low	Read enable																								
32	WR	Display D/C selection pin for 4-Wire, fix low if not used	Write enable																								
33	RS	SCL – Serial interface clock	Register Select: This pin toggles between the data and command registers																								
34	CS	Chip select signal- low enable, high disable	Chip select signal- low enable, high disable																								
35	RESET	Reset signal, active low	Reset signal, active low																								
36	IM0	<table border="1"> <thead> <tr> <th>3-Wire</th> <th>4-Wire</th> </tr> </thead> <tbody> <tr> <td>1</td> <td>0</td> </tr> <tr> <td>0</td> <td>1</td> </tr> <tr> <td>1</td> <td>1</td> </tr> </tbody> </table>	3-Wire	4-Wire	1	0	0	1	1	1	<table border="1"> <thead> <tr> <th>16-bit</th> <th>8-bit</th> <th>18-bit</th> <th>9-bit</th> </tr> </thead> <tbody> <tr> <td>0</td> <td>1</td> <td>0</td> <td>1</td> </tr> <tr> <td>0</td> <td>0</td> <td>1</td> <td>1</td> </tr> <tr> <td>0</td> <td>0</td> <td>0</td> <td>0</td> </tr> </tbody> </table>	16-bit	8-bit	18-bit	9-bit	0	1	0	1	0	0	1	1	0	0	0	0
3-Wire	4-Wire																										
1	0																										
0	1																										
1	1																										
16-bit	8-bit	18-bit	9-bit																								
0	1	0	1																								
0	0	1	1																								
0	0	0	0																								
37	IM1																										
38	IM2																										
39	V _{Cl}	Analog power supply	Analog power supply																								
40	GND	Ground	Ground																								

Pin No.	Symbol	Touch Panel Interface Pin Assignment (Address 0x55)
1	GND	Ground
2	RESET	System reset signal, active low
3	INT	Interrupt signal
4	SDA	I2C Serial Data Input/ Output
5	SCL	I2C Serial Clock Input/ Output
6	V _{DD}	Power Supply (2.8V)

Note that the main tail and the touch tail are numbered in opposite directions. Pin numbers are marked on the tails.



7. System Block Diagram



8. Absolute Maximum Ratings

Parameter	Symbol	Min	Max	Unit
Supply Voltage	V_{CI}	-0.3	4.6	V
Supply Voltage for Logic	V_{CC}	-0.3	4.6	V
Touch Panel voltage	V_{DD}	-0.3	6	V
Operating Temperature	T_{OP}	-20	+70	°C
Storage Temperature	T_{STG}	-30	+80	°C

Note: These are stress ratings only. Extended exposure to the absolute maximum ratings listed above may affect device reliability or cause permanent damage. Functional operation should be restricted to the limits in the Electrical Characteristics table below.

9. Electrical Characteristics

Item	Symbol	Condition	Min	Typ	Max	Unit
Display Supply Voltage for Logic	V _{Cl}	-	2.6	3.3	3.3	V
Display Supply Voltage for I/O	V _{CC}	-	1.65	3.3	3.3	V
Display High-level Input	V _{IH}	-	0.7 x V _{CC}	-	V _{CC}	V
Display Low-level Input	V _{IL}	-	V _{SS}	-	0.3 x V _{CC}	V
Display Power Supply Current for LCM	I _{CC}	V _{Cl} = 2.8V	-	9	13.5	mA
Touch Panel Voltage	V _{DD}	-	2.7	3.3	3.6	V
Input pull Up Resistor	R _{PU}	-	50	-	60	kΩ

10. Optical Characteristics

Item	Symbol	Condition	Min	Typ	Unit
View Angle	(V)θ	CR≥10		160	deg
	(H)φ			160	deg
Contrast Ratio	CR	Normal Viewing Angle Dark Room	800:1		-
Response Time	T _{Rise} +T _{Fall}	Dark Room 30 min. warm-up time		35	μs
Transmittance (with PL)	T			4.65	%

11. LED Backlight

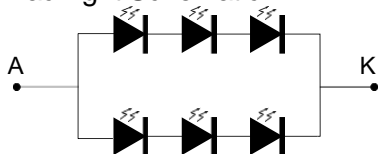
11.1. LED Backlight Characteristics

Item	Condition	Symbol	Min	Typ	Max	Unit
Forward Current	I _F =40mA	I _F	-	40	-	mA
Forward Voltage		V _F	8.1	9.0	9.9	V
Luminous Intensity for LCM		I _V	590	730	-	cd/m ²
Uniformity for LCM		-	70	-	-	%
LED Lifetime		-	20K	-	-	Hours
Color	White					

Notes:

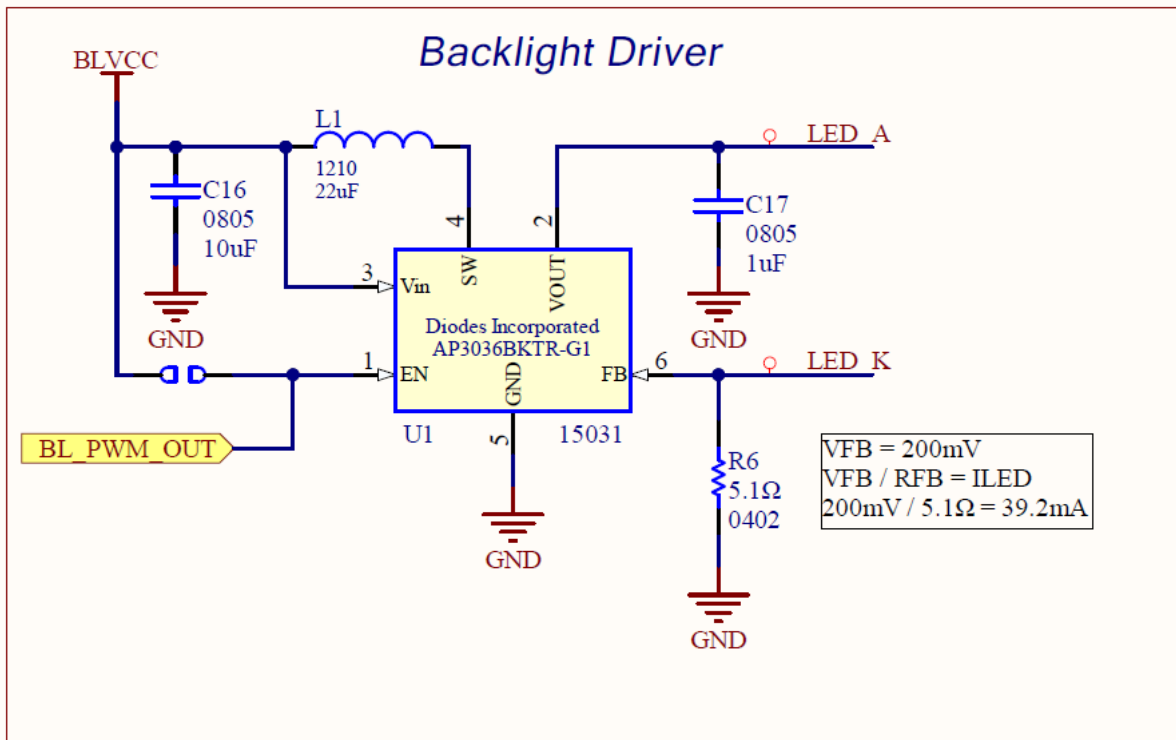
- (1) Supply current minimum value is only for reference since the LED brightness efficiency keeps enhancing. Current consumption becomes less and less to achieve the same luminance.
- (2) Lifetime is defined as the amount of time when the luminance has decayed to <50% of the initial value (20K hours is an estimate for reference only).

Backlight Schematic:





11.2. LED Backlight Example Driver



12. LCD Module Precautions

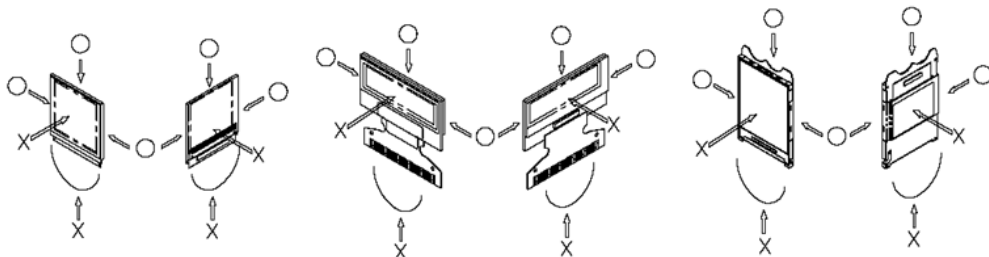
The precautions below should be followed when using LCD modules to help ensure personal safety, module performance, and compliance of environmental regulations.

12.1. Modules

- Avoid applying excessive shocks to module or making any alterations or modifications to it.
- Do not make extra holes on the printed circuit board, modify its shape or change the components of LCD display module.
- Do not disassemble the LCD display module.
- Do not operate the LCD display module above the absolute maximum rating.
- Do not drop, bend or twist the LCD display module.
- Soldering: only to the I/O terminals.
- Store in an anti-static electricity container and clean environment.
- It is common to use the "screen saver" to extend the lifetime of the LCD display module.
 - Do not use the fixed information for long periods of time in real application.
 - Do not use fixed information in LCD panel for long periods of time to extend "screen burn" effect time.
- Crystalfontz has the right to change the passive components, including R2 and R3 adjust resistors. (Resistors, capacitors and other passive components will have different appearance and color caused by the different supplier.)
- Crystalfontz have the right to change the PCB Rev. (In order to satisfy the supplying stability, management optimization and the best product performance, etc., under the premise of not affecting the electrical characteristics and external dimensions, Crystalfontz has the right to modify the version.)

12.2. Handling Precautions

- Since the display panel is made of glass, do not apply mechanical impacts such as dropping from a high position.
- If the display panel is accidentally broken, and the internal organic substance leaks out, be careful not to inhale or touch the organic substance.
- If pressure is applied to the display surface or its neighborhood of the LCD display module, the cell structure may be damaged, so be careful not to apply pressure to these sections.
- The polarizer covering the surface of the LCD display module is soft and can be easily scratched. Please be careful when handling the LCD display module.
- Clean the surface of the polarizer covering the LCD display module if it becomes soiled using following adhesion tape.
 - Scotch Mending Tape No. 810 or an equivalent
 - Never breathe the soiled surface or wipe the surface using a cloth containing solvent such as ethyl alcohol, since the surface of the polarizer will become cloudy.
 - The following liquids/solvents may spoil the polarizer:
 - Water
 - Ketone
 - Aromatic Solvents
- Hold the LCD display module very carefully when placing the LCD display module into the system housing.
- Do not apply excessive stress or pressure to the LCD display module. And, do not over bend the film with electrode pattern layouts. These stresses will influence the display performance. Also, be sure to secure the sufficient rigidity for the outer cases.



- Do not apply stress to the LSI chips and the surrounding molded sections.
- Do not disassemble or modify the LCD display module.



- Do not apply input signals while the logic power is off.
- Pay sufficient attention to the working environments when handling the LCD display module to prevent occurrence of element breakage accidents by static electricity.
 - Be sure to make human body grounding when handling LCD display modules.
 - Be sure to ground tools to use for assembly such as soldering irons.
 - To suppress generation of static electricity, avoid carrying out assembly work under dry environments.
 - Protective film is being applied to the surface of the display panel of the LCD display module. Be careful since static electricity may be generated when exfoliating the protective film.
- Protection film is being applied to the surface of the display panel and removes the protection film before assembling it. At this time, if the LCD display module has been stored for a long period of time, residue adhesive material of the protection film may remain on the surface of the display panel after the film has been removed. In such a case, remove the residue material by the method discussed above.
- If electric current is applied when the LCD display module is being dewed or when it is placed under high humidity environments, the electrodes may become corroded. If this happens proceed with caution when handling the LCD display module.

12.3. Storage Precautions

- When storing the LCD display modules put them in static electricity preventive bags to avoid exposure to direct sunlight and fluorescent lamps. Also avoid high temperature and high humidity environments and low temperatures (less than 0°C) environments. (We recommend you store these modules in the packaged state when they were shipped from Crystalfontz). Be careful not to let water drops adhere to the packages or bags, and do not let dew gather on them.
- If electric current is applied when water drops are adhering to the surface of the LCD display module the LCD display module may have become dewed. If a dewed LCD display module is placed under high humidity environments it may cause the electrodes to become corroded. If this happens proceed with caution when handling the LCD display module.

12.4. Designing Precautions

- The absolute maximum ratings are the ratings that cannot be exceeded for LCD display module. If these values are exceeded, panel damage may happen.
- To prevent occurrence of malfunctioning by noise pay attention to satisfy the V_{IL} and V_{IH} specifications and, at the same time, to make the signal line cable as short as possible.
- We recommend that you install excess current preventive unit (fuses, etc.) to the power circuit (V_{DD}). (Recommend value: 0.5A)
- Pay sufficient attention to avoid occurrence of mutual noise interference with the neighboring devices.
- As for EMI, take necessary measures on the equipment side.
- When fastening the LCD display module, fasten the external plastic housing section.
- If the power supply to the LCD display module is forcibly shut down, by such errors as taking out the main battery while the LCD display panel is in operation, we cannot guarantee the quality of this LCD display module.
 - Connection (contact) to any other potential than the above may lead to rupture of the IC.

12.5. Disposing Precautions

- Request the qualified companies to handle the industrial wastes when disposing of the LCD display modules. Or, when burning them, be sure to observe the environmental and hygienic laws and regulations.

12.6. Other Precautions

- When an LCD display module is operated for a long period of time with a fixed pattern, the fixed pattern may remain as an after image or a slight contrast deviation may occur.
 - If the operation is interrupted and left unused for a while, normal state can be restored.
 - This will not cause a problem in the reliability of the module.
- To protect the LCD display module from performance drops by static electricity rapture, etc., do not touch the following sections whenever possible while handling the LCD display modules.



- Pins and electrodes
- Pattern layouts such as the TCP & FPC
- With this LCD display module, the LCD driver is being exposed. Generally speaking, semiconductor elements change their characteristics when light is radiated according to the principle of the solar battery. Consequently, if this LCD driver is exposed to light, malfunctioning may occur.
 - Design the product and installation method so that the LCD driver may be shielded from light in actual usage.
 - Design the product and installation method so that the LCD driver may be shielded from light during the inspection processes.
- Although this LCD display module stores the operation state data by the commands and the indication data, when excessive external noise, etc. enters into the module, the internal status may be changed. Therefore, it is necessary to take appropriate measures to suppress noise generation or to protect from influences of noise on the system design.
- We recommend that you construct its software to make periodical refreshment of the operation statuses (re-setting of the commands and re-transference of the display data), to cope with catastrophic noise.
- Resistors, capacitors, and other passive components will have different appearance and color caused by the different supplier.
- Crystalfontz has the right to upgrade and modify the product function.
- The limitation of FPC bending:

