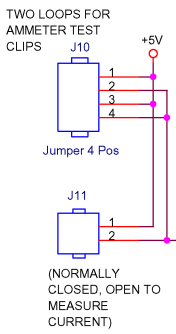
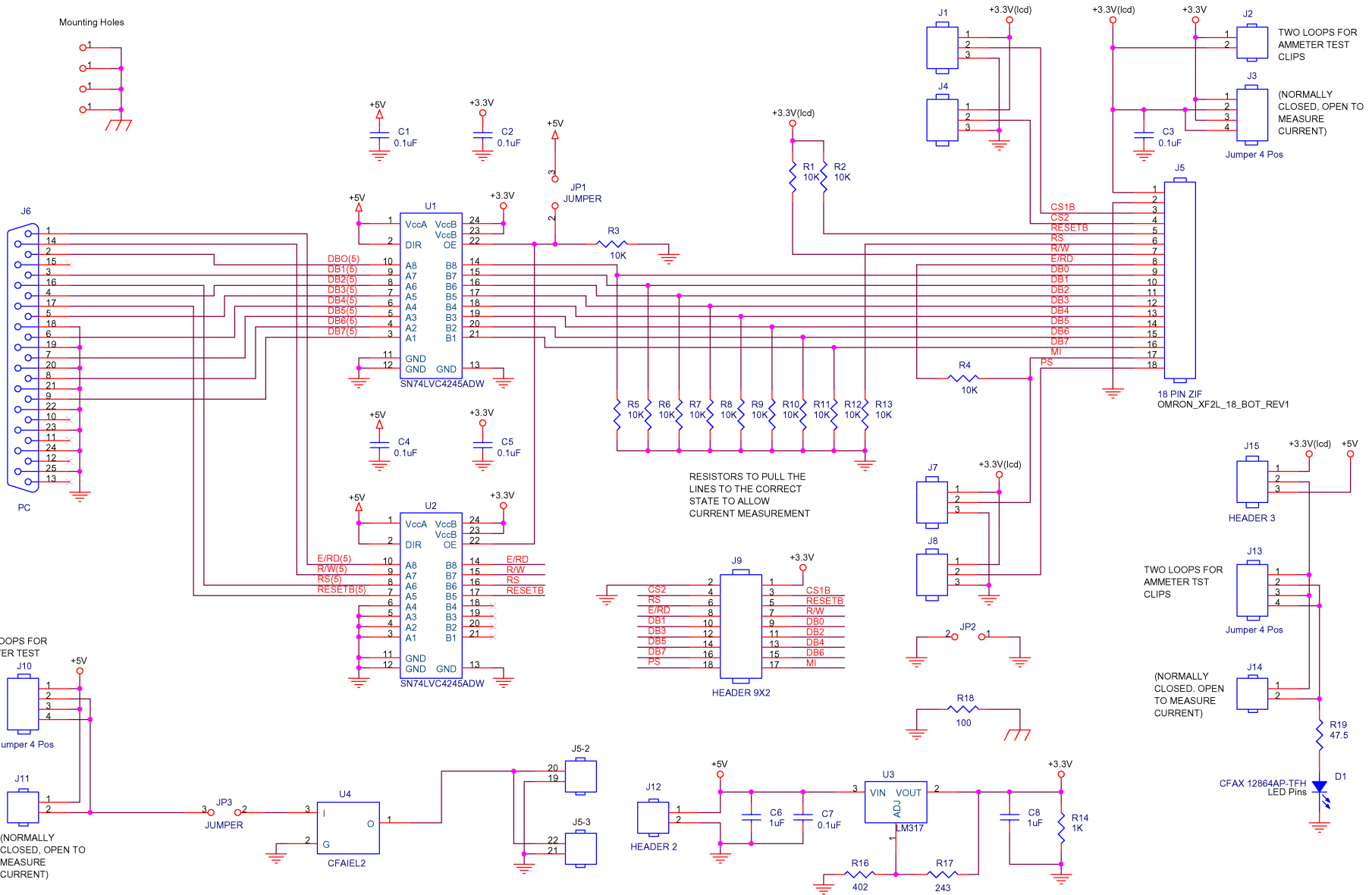
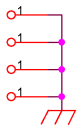


Mounting Holes



RESISTORS TO PULL THE LINES TO THE CORRECT STATE TO ALLOW CURRENT MEASUREMENT

