



CFAG240128U0 Family
240x128 GRAPHIC LCD DISPLAY
DATASHEET



CFAG240128U0-NFH
CFAG240128U0-TFH

Datasheet Release: 2022-10-20

Crystalfontz America, Inc.

12412 East Saltese Avenue
Spokane Valley, WA 99216-0357

Phone: 888-206-9720

Fax: 509-892-1203

Email: support@crystalfontz.com

URL: www.crystalfontz.com



Table of Contents

1. GENERAL INFORMATION	3
2. INTRODUCTION	4
3. FEATURES	4
4. MECHANICAL DATA	4
4.1. CFAG240128U0-NFH (NO BACKLIGHT).....	4
4.2. CFAG240128U0-TFH (BACKLIGHT).....	4
5. MECHANICAL DRAWINGS	5
6. LCD PANEL	7
6.1. INTERFACE PIN FUNCTION.....	7
6.2. ABSOLUTE MAXIMUM RATINGS.....	7
6.3. ELECTRICAL CHARACTERISTICS.....	8
6.4. OPTICAL CHARACTERISTICS.....	8
6.5. BACKLIGHT CHARACTERISTICS (CFAG240128U0-TFH ONLY).....	8
7. LCD MODULE PRECAUTIONS	9
7.1. MODULES.....	9
7.2. HANDLING PRECAUTIONS.....	9
7.3. STORING PRECAUTIONS.....	10
7.4. DESIGNING PRECAUTIONS.....	10
7.5. DISPOSING PRECAUTIONS.....	10
7.6. OTHER PRECAUTIONS.....	10



1. General Information

Datasheet Revision History

Datasheet Release: 2022-10-20
Datasheet for the CFAG240128U0 display module.

Product Change Notifications

You can check for or subscribe to [Part Change Notices](#) for this display module on our website.

Variations

Slight variations between lots are normal (e.g., contrast, color, or intensity).

Volatility

This display module has volatile memory.

Disclaimer

Certain applications using Crystalfontz America, Inc. products may involve potential risks of death, personal injury, or severe property or environmental damage ("Critical Applications"). CRYSTALFONTZ AMERICA, INC. PRODUCTS ARE NOT DESIGNED, INTENDED, AUTHORIZED, OR WARRANTED TO BE SUITABLE FOR USE IN LIFE-SUPPORT APPLICATIONS, DEVICES OR SYSS OR OTHER CRITICAL APPLICATIONS. Inclusion of Crystalfontz America, Inc. products in such applications is understood to be fully at the risk of the customer. In order to minimize risks associated with customer applications, adequate design and operating safeguards should be provided by the customer to minimize inherent or procedural hazard. Please contact us if you have any questions concerning potential risk applications.

Crystalfontz America, Inc. assumes no liability for applications assistance, customer product design, software performance, or infringements of patents or services described herein. Nor does Crystalfontz America, Inc. warrant or represent that any license, either express or implied, is granted under any patent right, copyright, or other intellectual property right of Crystalfontz America, Inc. covering or relating to any combination, machine, or process in which our products or services might be or are used.

All specifications in datasheets on our website are, to the best of our knowledge, accurate but not guaranteed. Corrections to specifications are made as any inaccuracies are discovered.

Company and product names mentioned in this publication are trademarks or registered trademarks of their respective owners.

Copyright © 2022 by Crystalfontz America, Inc., 12412 East Saltese Avenue, Spokane Valley, WA 99216 U.S.A.



2. Introduction

The CFAG240128U0 is a compact, 240x128 graphic LCD display module with four color grayscale. It is thin, light, and low-power. Available with a backlight (TFH) or without (NFH), this display is a great choice for handheld or battery operated applications. Choose the backlit version for products that will be used in dark environments, or save the space and power and choose the non-backlit version for products that will be used in lit areas.

This LCD display has an integrated controller and voltage generating components mounted on the flexible tail. The tail connects to a standard 18-conductor 0.5mm pitch ZIF (Zero Insertion Force) connector. This module uses an Sitronix ST75256P LCD driver.

3. Features

- 2.4-inch 240x128 graphic LCD display module
- 4-color (2-bit) grayscale
- Simple 4-wire, 8-bit SPI, I2C, or 8-bit parallel interface
- Ultra-low power consumption
- Wide temperature range: -20°C to 70°C (-4°F to 158°F)

4. Mechanical Data

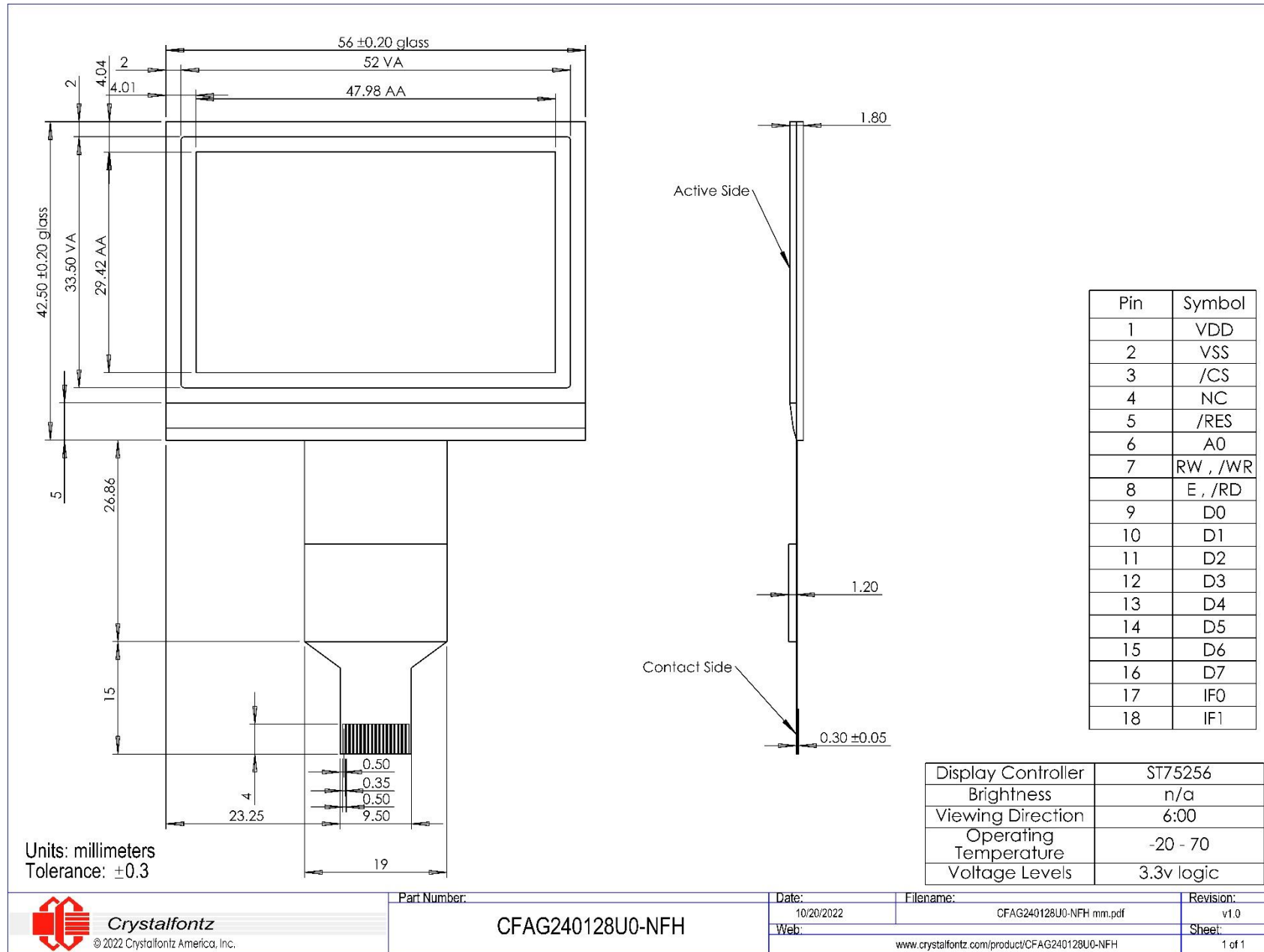
4.1. CFAG240128U0-NFH (No Backlight)

Item	Specification (mm)	Specification (inch)
Overall Module Dimension	56.0 (W) x 42.5 (H) x 1.9 (D)	2.20 (W) x 1.673 (H) x 0.074 (D)
Viewing Area	52.0 (W) x 33.5 (H)	2.047 (W) x 1.318 (H)
Active Area	47.98 (W) x 29.42(H)	1.880 (W) x 1.192 (H)
Dot Pitch	0.20 (W) x 0.23 (H)	0.0165 (W) x 0.0145 (H)
Weight (NFH Typical)	10.1 grams	0.356 ounces

4.2. CFAG240128U0-TFH (Backlight)

Item	Specification (mm)	Specification (inch)
Overall Module Dimension	58.2 (W) x 44.7 (H) x 3.9 (D)	2.29 (W) x 1.759 (H) x 0.153 (D)
Viewing Area	52.0 (W) x 33.5 (H)	2.047 (W) x 1.318 (H)
Active Area	47.76 (W) x 30.29 (H)	1.880 (W) x 1.192 (H)
Dot Pitch	0.42 (W) x 0.37 (H)	0.0165 (W) x 0.0145 (H)
Weight (NFH Typical)	15.2 grams	0.54 ounces

5. Mechanical Drawings



Crystalfontz
© 2022 Crystalfontz America, Inc.

Part Number:

CFAG240128U0-NFH

Date:

10/20/2022

Filename:

CFAG240128U0-NFH mm.pdf

Revision:

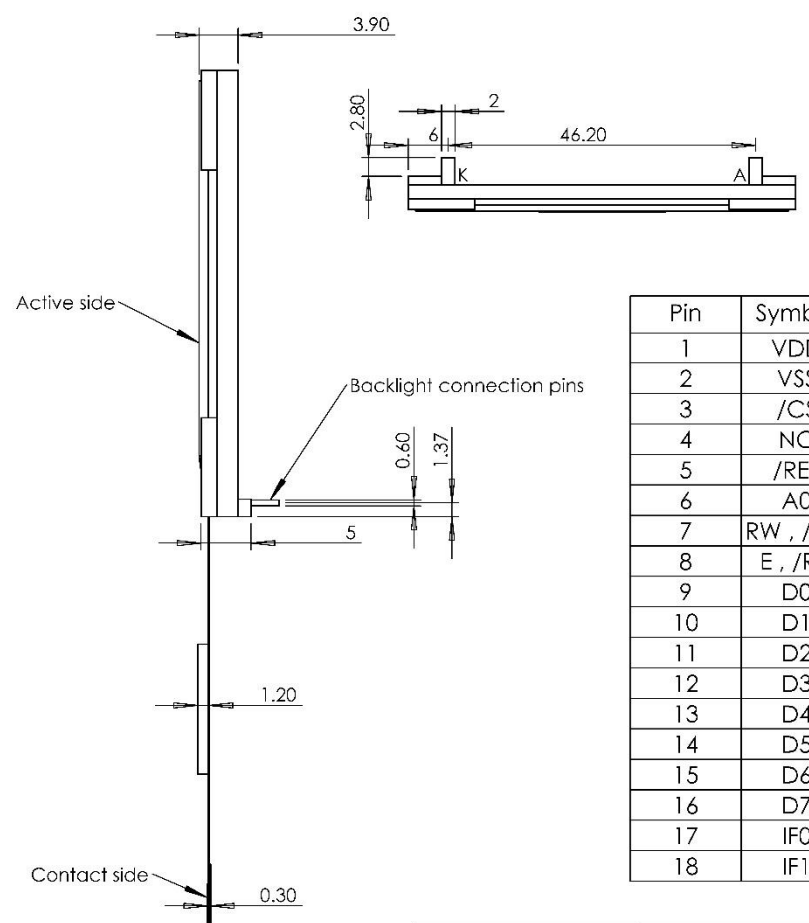
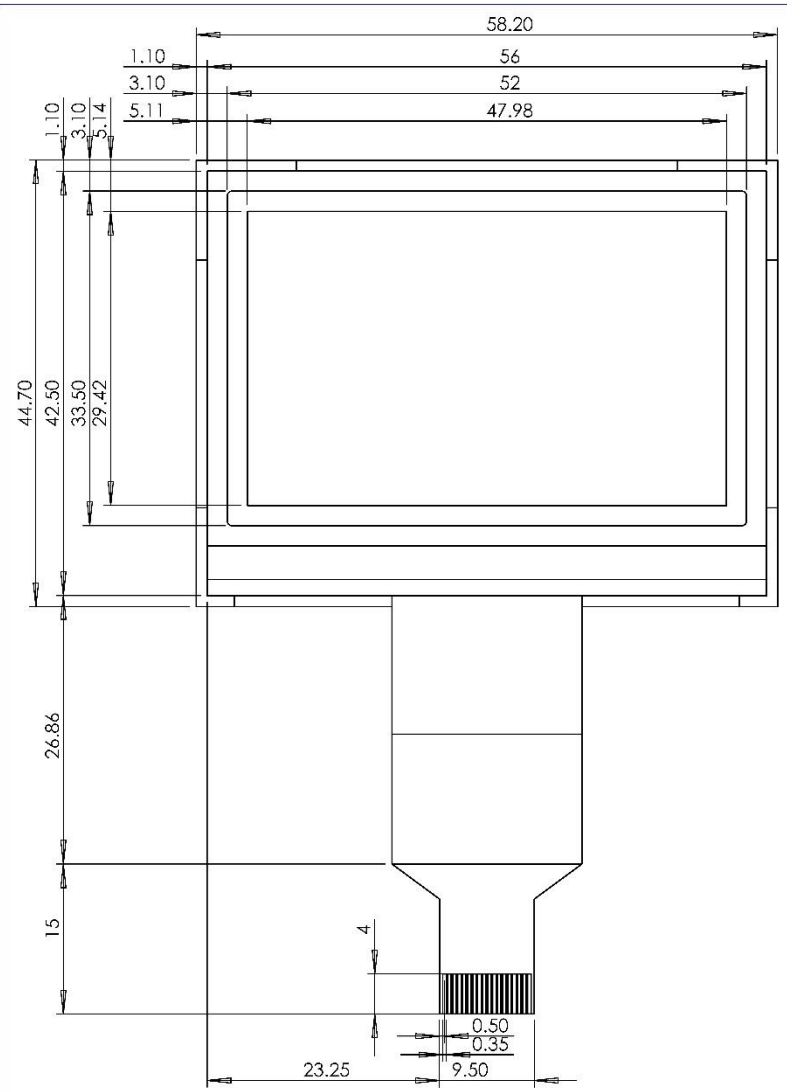
v1.0

Web:

www.crystalfontz.com/product/CFAG240128U0-NFH

Sheet:

1 of 1



Pin	Symbol
1	VDD
2	VSS
3	/CS
4	NC
5	/RES
6	A0
7	RW , /WR
8	E , /RD
9	D0
10	D1
11	D2
12	D3
13	D4
14	D5
15	D6
16	D7
17	IF0
18	IF1

Display Controller	ST75256
Brightness w/o LCD	860
Viewing Direction	6:00
Operating Temperature	-20 - 70
Voltage Levels	3.3v logic

Units: millimeters
Tolerance: ±0.3



Crystalfontz
© 2022 Crystalfontz America, Inc.

Part Number: CFAG240128U0-TFH

Date: 10/20/2022

Filename: CFAG240128U0-TFH mm.pdf

Revision: v1.0

Web: www.crystalfontz.com/product/CFAG240128U0-TFH

Sheet: 1 of 1



6. LCD Panel

6.1. Interface Pin Function

Pin	Symbol	4-wire SPI Interface	I2C	6800 Parallel Interface	8080 Parallel Interface
1	VDD	Power Supply			
2	VSS	System Ground			
3	/CS	Interface access is enabled when /CS="L" When the chip is not selected (/CS="H"), D[7:0] pins are high impedance.			
4	NC	No connection			
5	/RES	Hardware Reset (active low)			
6	A0	Data/Command, Register Select Address the Data Register (A0="H") or Command Register (A0="L")			
7	RW , /WR	Not Used (fix to "H")		Read / Write Select	Write Enable (active low)
8	E , /RD	Not Used (fix to "H")		Read / Write Enable	Read Enable (active low)
9	D0	SCL: Serial Clock	SCL: Serial clock	8-bit Bi-Directional Data Bus	
10	D1	SDA: Serial Data Tie together	SDA: Serial Data Tie together		
11	D2				
12	D3				
13	D4	Not Used (fix to "H")	Not Used (fix to "H")		
14	D5				
15	D6		SA[0] Slave address bit		
16	D7		SA[1] I2C slave address bit		
17	IF0	Fix to "L" for SPI Mode	Fix to "H" for I2C Mode	Fix to "L" for 6800 Mode	Fix to "H" for 8080 Mode
18	IF1	Fix to "L" for SPI Mode	Fix to "L" for I2C mode	Fix to "H" for 6800 Mode	Fix to "H" for 8080 Mode

6.2. Absolute Maximum Ratings

Parameter	Symbol	Min	Max	Unit
Logic Power Supply	V _{DD}	-0.3	4.0	V
MPU Interface Input Voltage	V _{IN}	-0.3	V _{DD} +0.3	V
Operating Temperature	T _{OP}	-20	+70	°C
Storage Temperature	T _{ST}	-30	+80	°C

Note: These are stress ratings only. Extended exposure to the absolute maximum ratings listed above may affect device reliability or cause permanent damage.



6.3. Electrical Characteristics

Item	Symbol	Min	Typ	Max	Unit
Logic Power Supply	V _{DD}	3.0	3.3	3.6	V
Supply Voltage for LCM (Software Controlled)	V _{OP}	15.2	15.5	15.8	V
Input Logic High	V _{IH}	0.7 * V _{DD}	-	V _{DD}	V
Input Logic Low	V _{IL}	V _{SS}	-	0.3 * V _{DD}	V
Output High Voltage	V _{OH}	0.8 * V _{DD}	-	V _{DD}	V
Output Low Voltage	V _{OL}	V _{SS}	-	0.2 * V _{DD}	V
Logic Supply Current	I _{VDD}	-	1.0	-	mA

6.4. Optical Characteristics

Item	Symbol	Condition	Min	Typ	Max	Unit
Response Time	T _r	25°C	-	150	225	ms
	T _f		-	280	420	ms
Contrast Ratio	CR	θ=0°	3	4	-	-
Viewing Angle	Θ 180°	CR ≥ 2	30	35	-	Degree
	Θ 0°		35	40	-	
	Θ 90°		30	35	-	
	Θ 270°		30	35	-	
Viewing Direction	6 o'clock					

6.5. Backlight Characteristics (CFAG240128U0-TFH only)

Item	Symbol	Conditions	Min	Typ	Max	Unit
Supply Voltage	V _{LED}		-	3.5	-	V
Supply Current	I _{LED}	V _{LED} =3.5V	36	48	60	mA
Reverse Voltage	V _R	-	-	-	5	V
LED Lifetime		I _{LED} =48mA @ 25°C	-	30000	-	hours (estimated)
Luminance without LCD	I _V	I _{LED} =48mA	688	860	-	cd/m ²

LEDs are current driven devices. The forward voltage is given for reference only. Backlight connections are made via A and K tabs on the backlight frame.



7. LCD Module Precautions

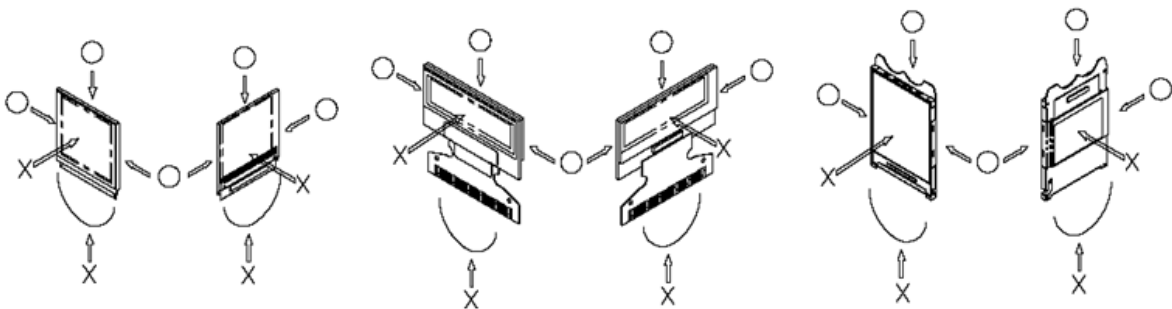
These precautions help ensure personal safety, module performance, and compliance of environmental regulations when using an LCD module.

7.1. Modules

- Avoid excessive physical and electrical shocks to module.
- Do not drop, bend, or twist the LCD display module.
- Do not make extra holes, modify the shape, or change the components of the printed circuit board.
- Do not disassemble the LCD display module.
- Do not operate the LCD display module outside the absolute maximum rating.
- Only solder to the I/O terminals.
- Store in an anti-static electricity container and clean environment.
- Do not display static information for long periods of time to avoid burn in.
- Crystalfontz has the right to change passive components on the display module. Resistors, capacitors and other passive components may have different appearance and color.
- Crystalfontz has the right to change the PCB revision/version in order to satisfy the supply stability, management optimization, the best product performance, etc., under the premise of not affecting the electrical characteristics and external dimensions.

7.2. Handling Precautions

- The display panel is made of glass. Do not apply mechanical impacts, stress or pressure to the LCD display module.
- Pressure applied to or near the display surface may damage the cell structure.
- If the display panel is accidentally broken and the internal organic substance leaks out, do not inhale or touch the organic substance.
- The polarizer covering the surface of the LCD display module is soft and can be easily scratched. Cover the polarizer in the final design.
- Clean the surface of the polarizer using Scotch Mending Tape No. 810 or an equivalent
 - Never breathe on the surface or wipe the surface using a cloth containing solvent such as ethyl alcohol, as the surface of the polarizer will become cloudy.
 - Water, ketone, and aromatic solvents may ruin the polarizer.
- Do not over bend the film with electrode pattern layouts. This can effect the display performance.



- Do not apply stress to the LSI chips and the surrounding molded sections.
- Do not apply input signals while the logic power is off.
- Prevent damage by electrostatic discharge (ESD) when handling the LCD display module:
 - Ground personnel handling LCD display modules.
 - Ground tools used for assembly such as soldering irons.
 - To suppress generation of ESD, avoid carrying out assembly work under dry environments.
 - Remove the protective film applied to the display panel slowly as ESD may be generated when removing the film.
- Protective film is applied to the surface of the display panel. Remove the film before assembly. If the LCD display module has been stored for a long period of time, residue adhesive material of the protection film may remain on the surface of the display panel after the film has been removed. In such a case, remove the residue material as discussed above.



7.3. Storing Precautions

- Store the LCD display modules in ESD preventative bags. Avoid exposure to direct sunlight and fluorescent lamps. Avoid high temperature and high humidity environments and low temperature (less than 0°C) environments. We recommend storing these modules in the packaged state in which they were shipped from Crystalfontz.
- Do not let water drops or dew adhere to the packages or bags.
- If electric current is applied when water is on the surface of the LCD display module, the module may become dewed. If a dewed LCD display module is placed under high humidity environments the electrodes may become corroded.

7.4. Designing Precautions

- The absolute maximum ratings cannot be exceeded for LCD display module. If these values are exceeded, panel damage may happen.
- Satisfy the VIL and VIH specifications and, ensure the signal line cable is as short as possible to avoid signal noise.
- Install excess current preventative unit (fuses, etc.) to the power circuit. Recommend value: 0.5A
- Avoid occurrence of mutual noise interference with the neighboring devices.
- When fastening the LCD display module, fasten the external plastic housing section.
If the power supply to the LCD display module is forcibly shut down, by such errors as taking out the main battery while the LCD display panel is in operation, we cannot guarantee the quality of this LCD display module.
- Connection (contact) to any other potential than the above may lead to rupture of the IC.

7.5. Disposing Precautions

- Request qualified companies handle the industrial waste when disposing of the LCD display modules. Observe all relevant laws and regulations.

7.6. Other Precautions

- When an LCD display module is operated for a long period of time with a fixed pattern, the fixed pattern may remain as an after image or a slight contrast deviation may occur.
 - If the operation is interrupted and left unused for a while, normal state can be restored.
 - This will not cause a problem in the reliability of the module.
- To protect the LCD display module from performance drops by static electricity rapture, etc., do not touch the following sections whenever possible while handling the LCD display modules.
 - Pins and electrodes
 - Pattern layouts such as the TCP & FPC
- With this LCD display module, the LCD driver is exposed. If this LCD driver is exposed to light, malfunctioning may occur. Design the product and installation method so that the LCD driver may be shielded from light in actual usage and during the inspection processes.
- Although this LCD display module stores the operation state data by the commands and the indication data, when excessive external noise, etc. enters into the module, the internal status may be changed. Therefore, it is necessary to take appropriate measures to suppress noise generation or to protect from influences of noise on the system design.
- Periodically refresh the operation statuses in the software (reset the commands and retransfer the display data), to cope with catastrophic noise.
- Resistors, capacitors, and other passive components will have different appearance and color caused by the different supplier.
- Crystalfontz has the right to upgrade and modify the product function.
- The limitation of FPC bending:

