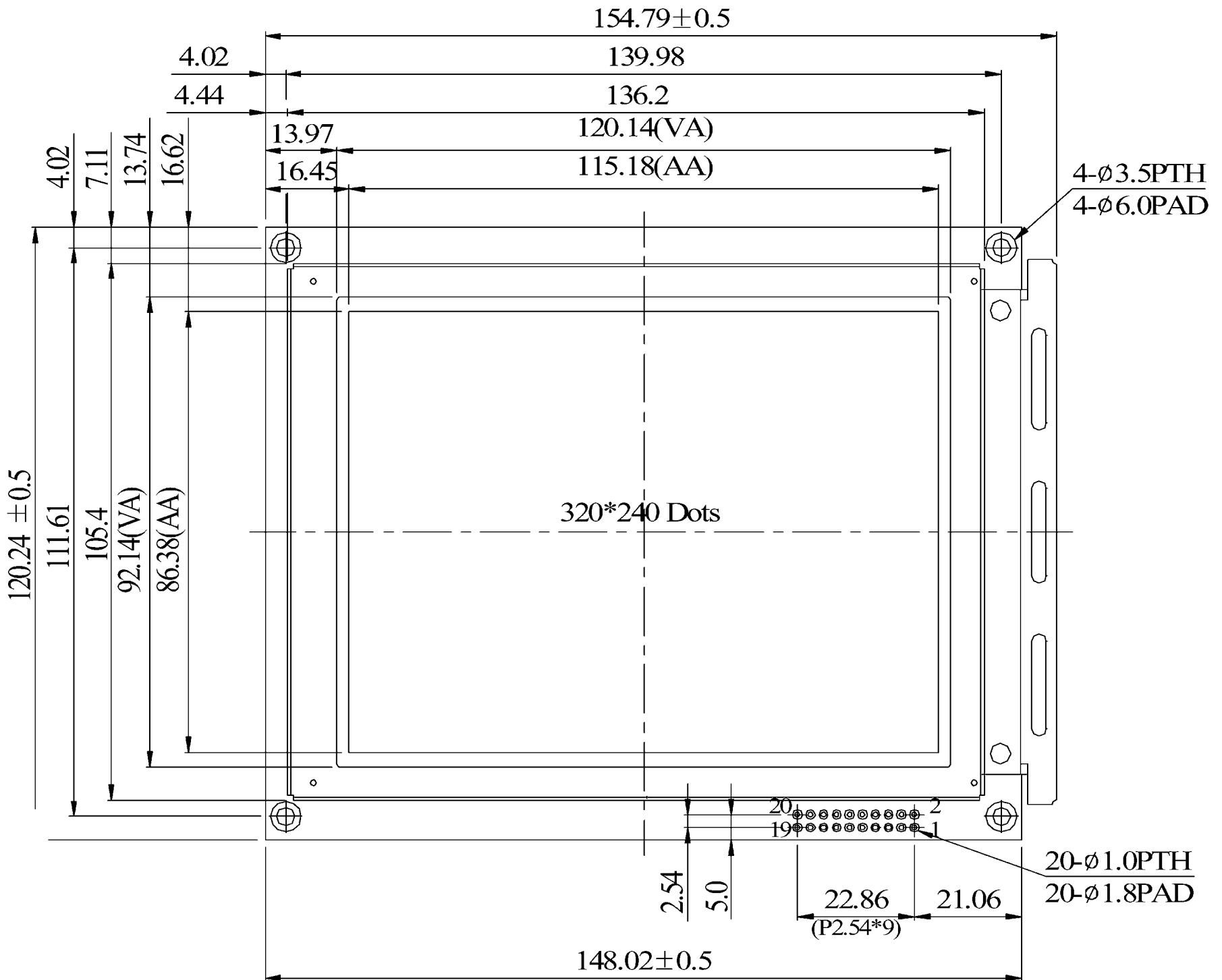


1:1 Outline Drawing CFAG320240C Series



Be sure to uncheck "Fit to Page" in the Acrobat Print Dialog.
 Always verify Print Accuracy with a physical part, or by measuring the printout.